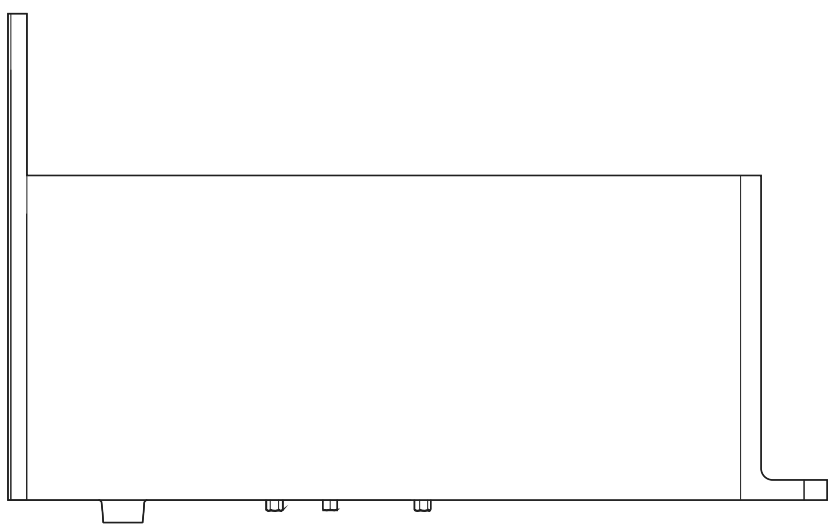
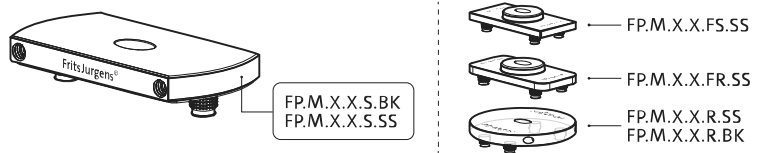
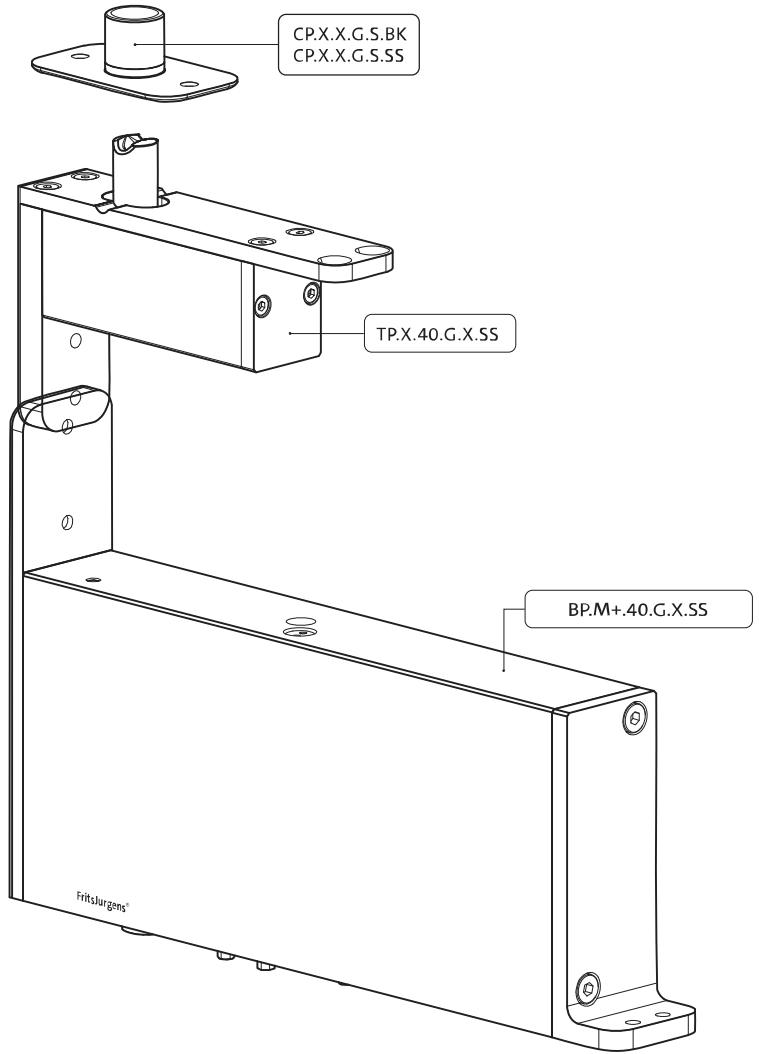


System M+

Fräs- und Montageanleitung

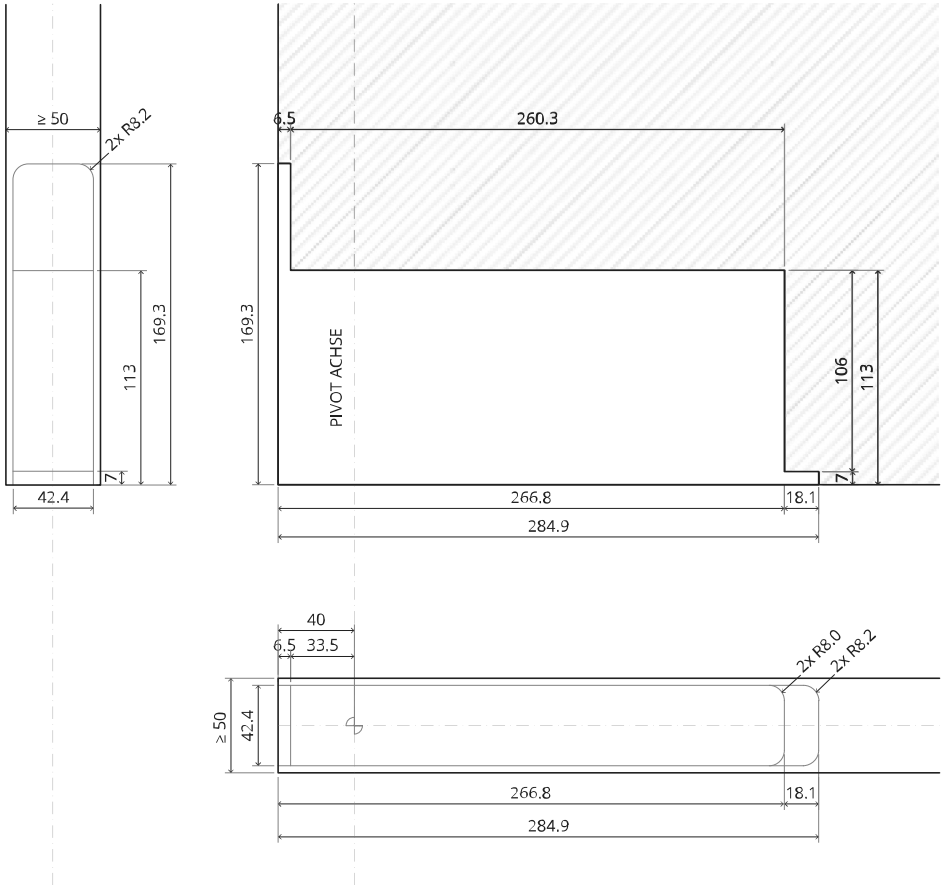
FritsJurgens Set - 40 mm Klasse G - Edelstahl

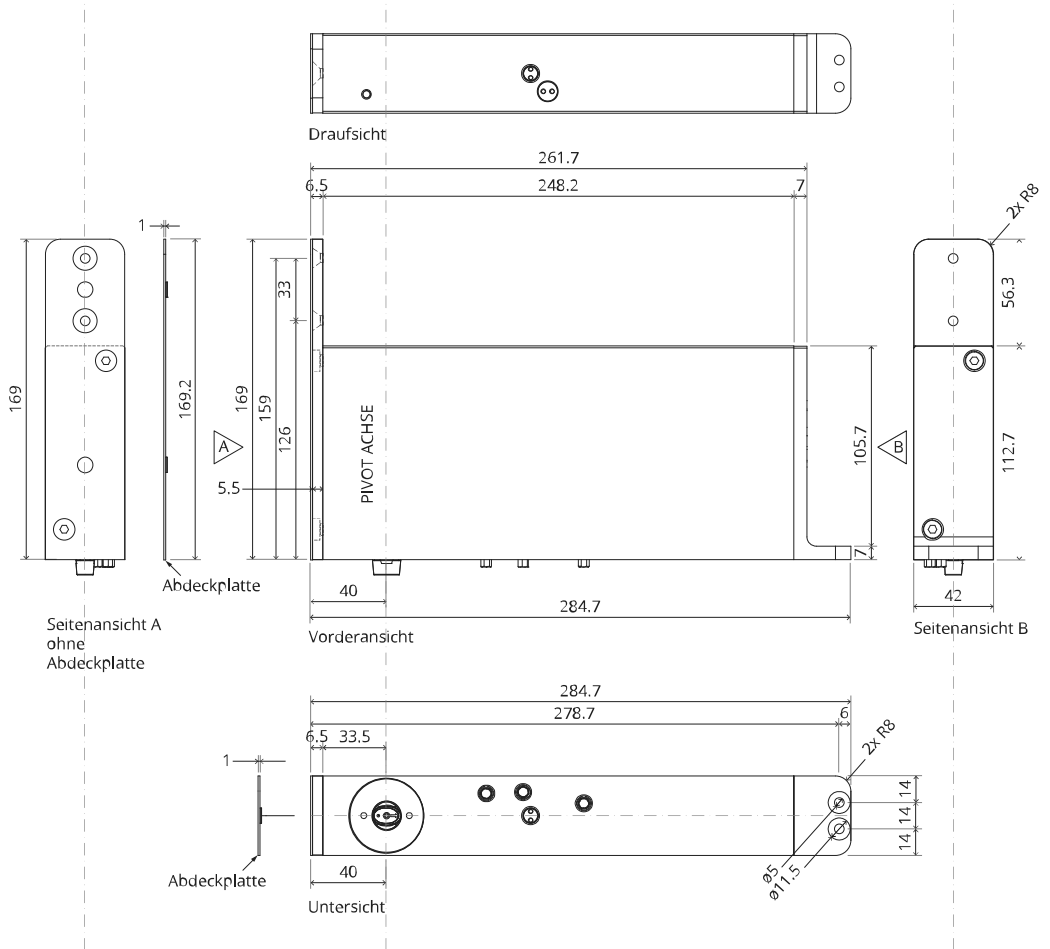




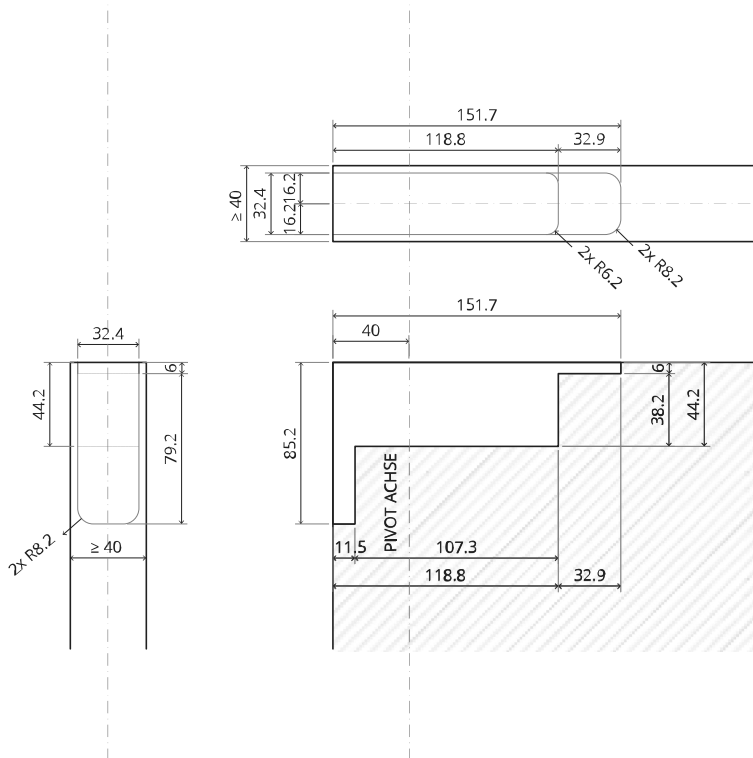
Fräsanleitung

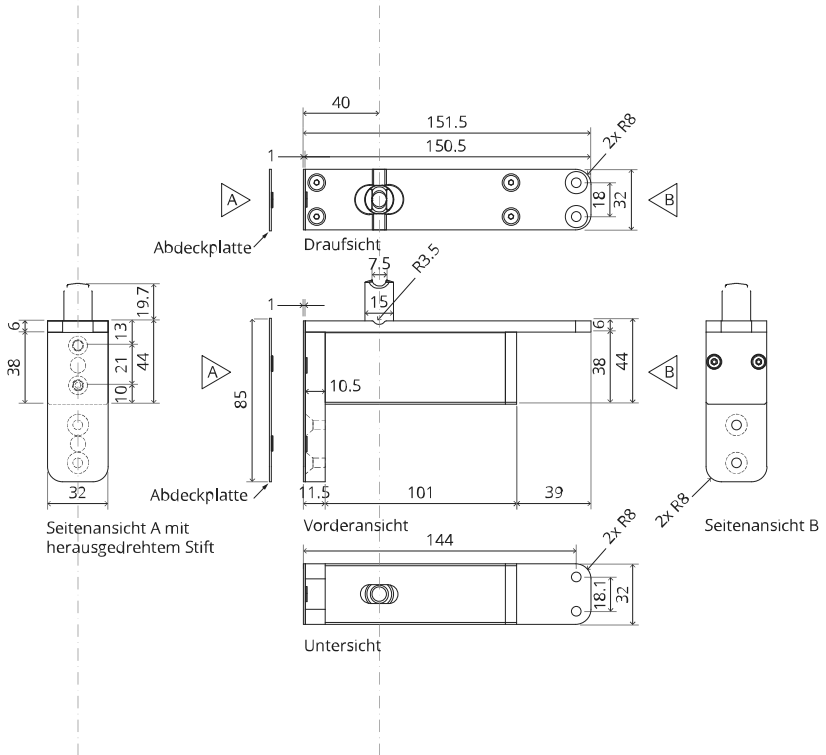
BP.M+.40.G.X.SS



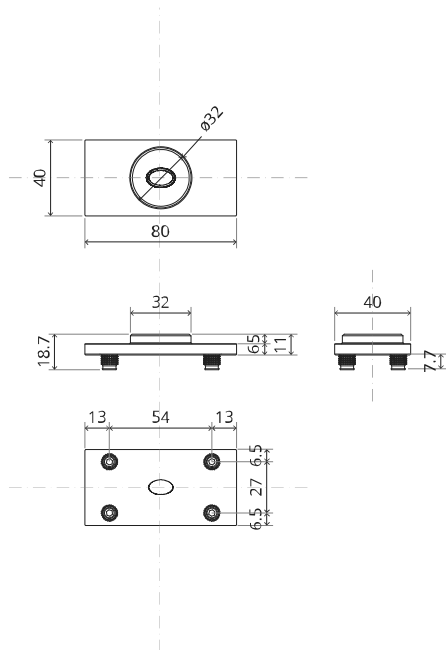
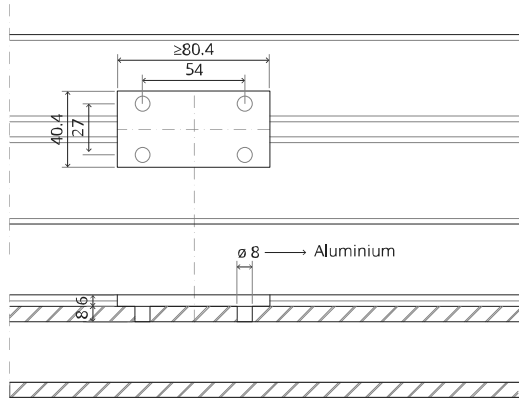


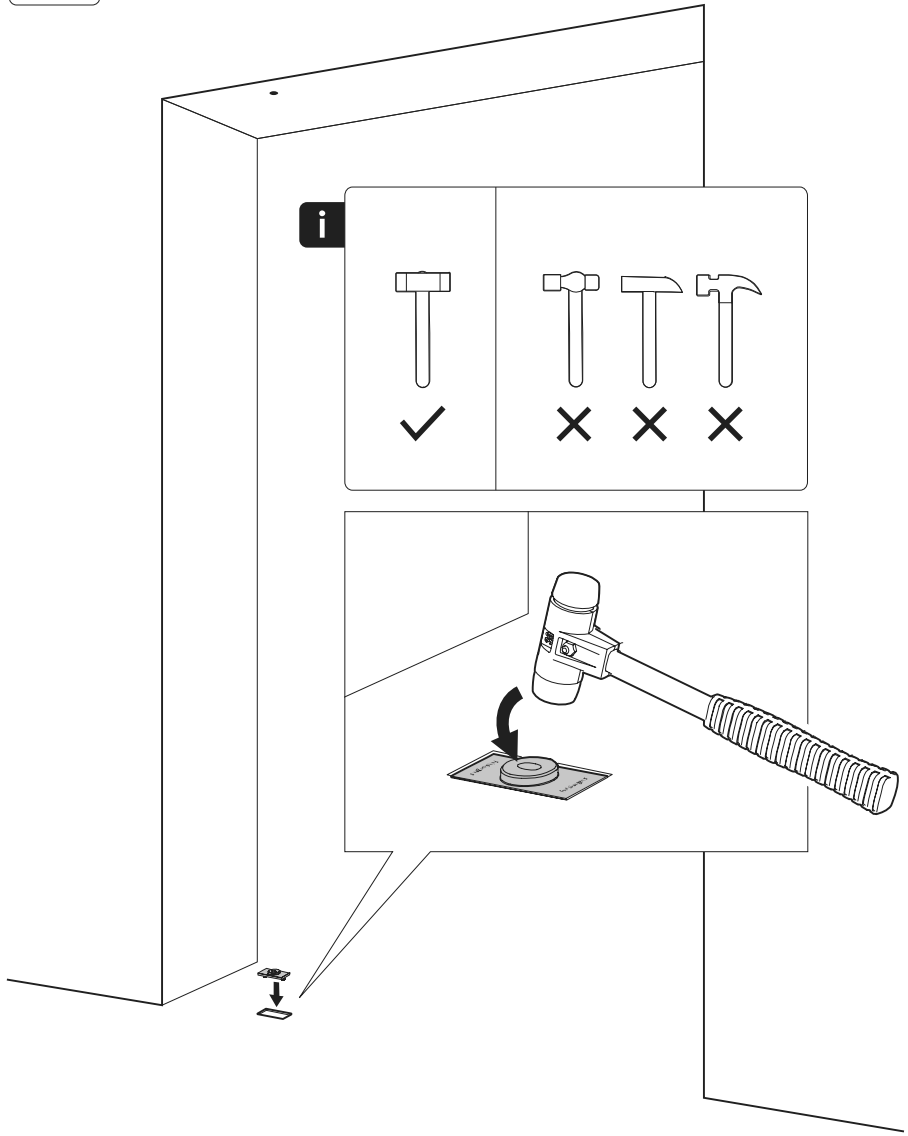
TP.X.40.G.X.SS



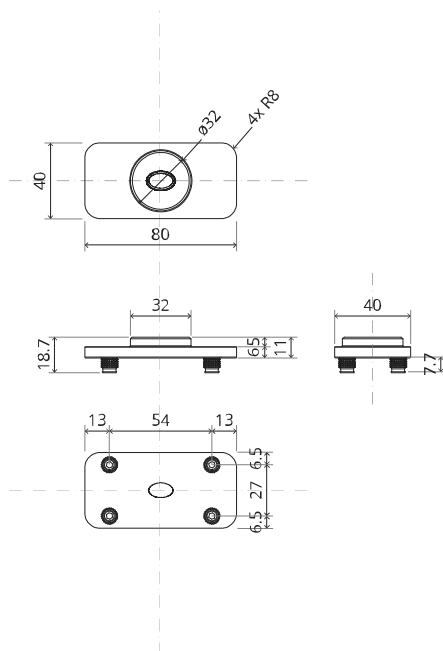
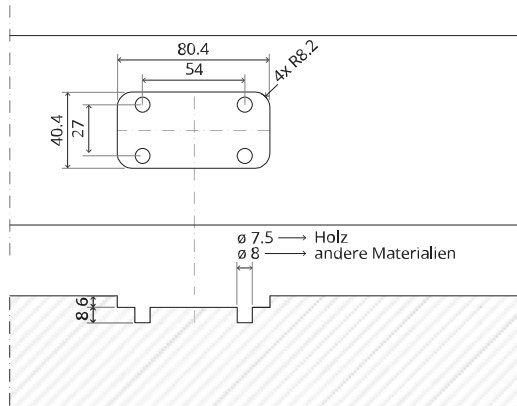


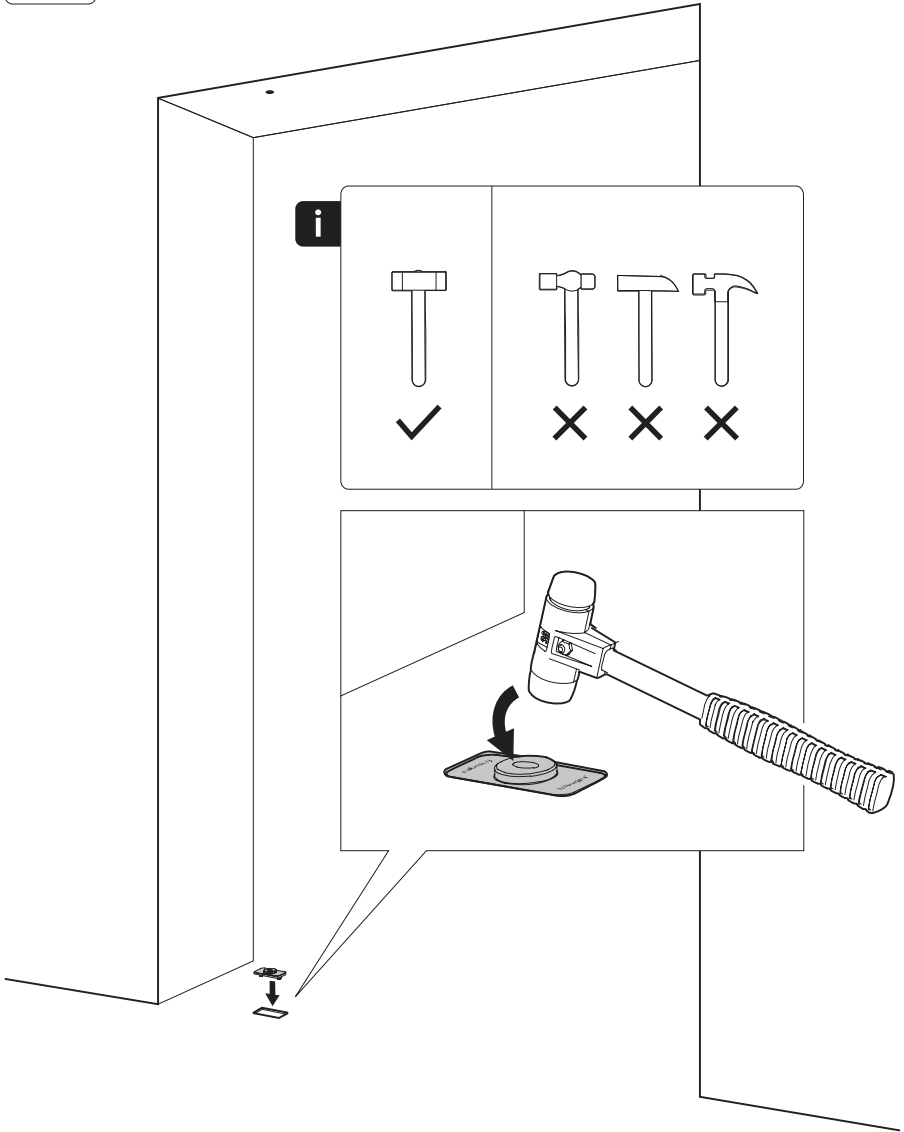
FP.M.X.X.FS.SS



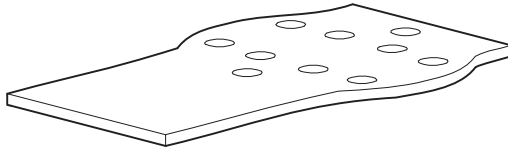


FP.M.X.X.FR.SS

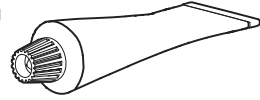




Montageanleitung



FJ.MT.DT.M



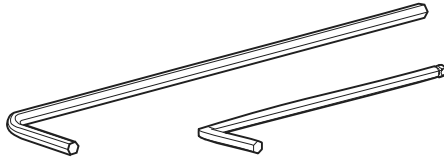
FJ.MT.Z5



10x FJ.Tx.4.0X50.PKDD

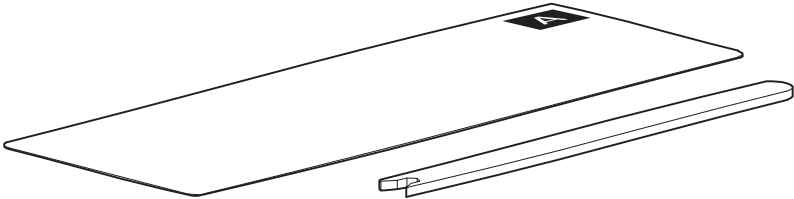


FJ.Bit.Tx20



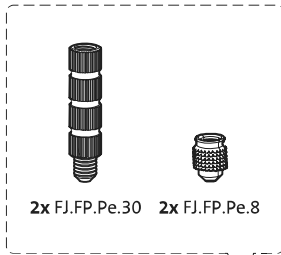
FJ.MT.AK3

FJ.MT.AK5x24

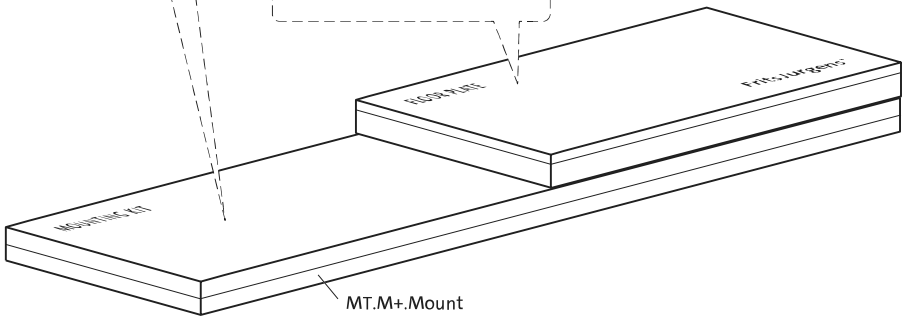


FJ.MT.AC.M+

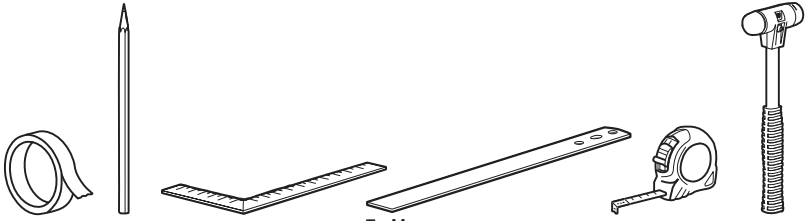
FJ.MT.AS.M



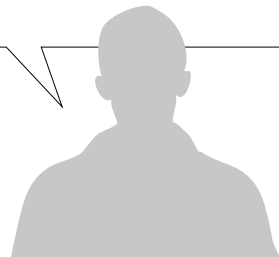
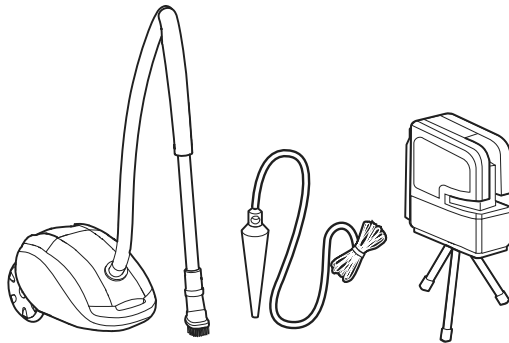
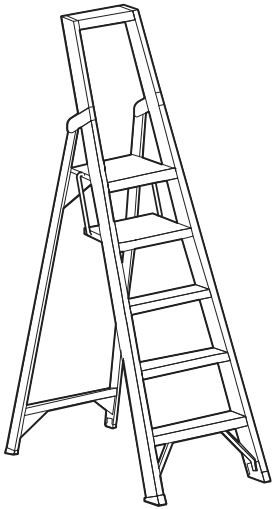
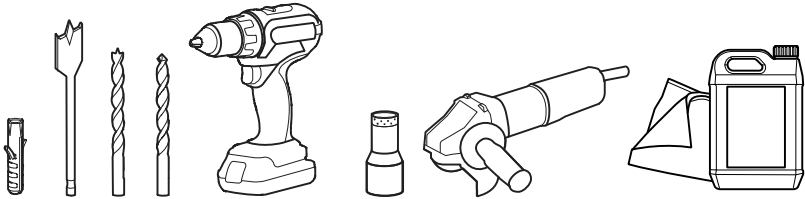
2x FJ.FP.Pe.30 2x FJ.FP.Pe.8

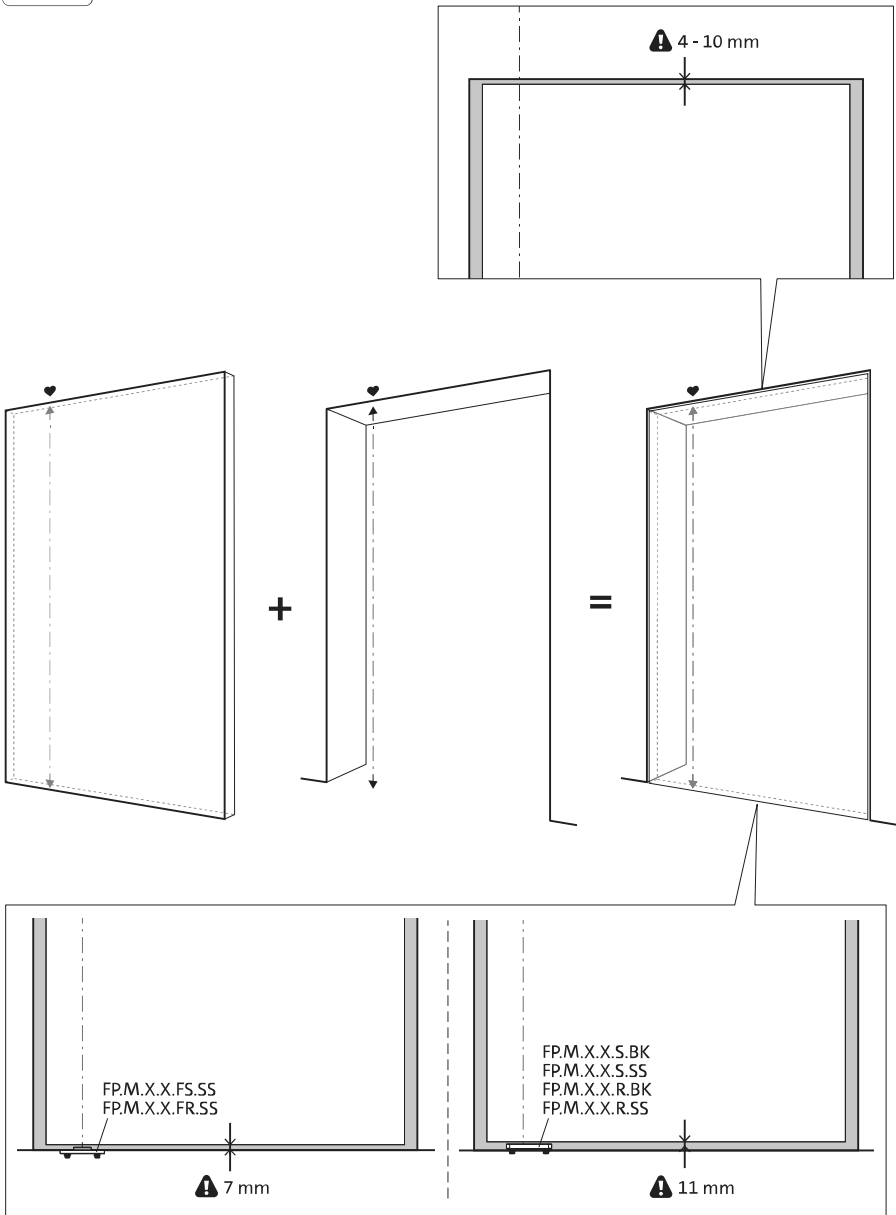


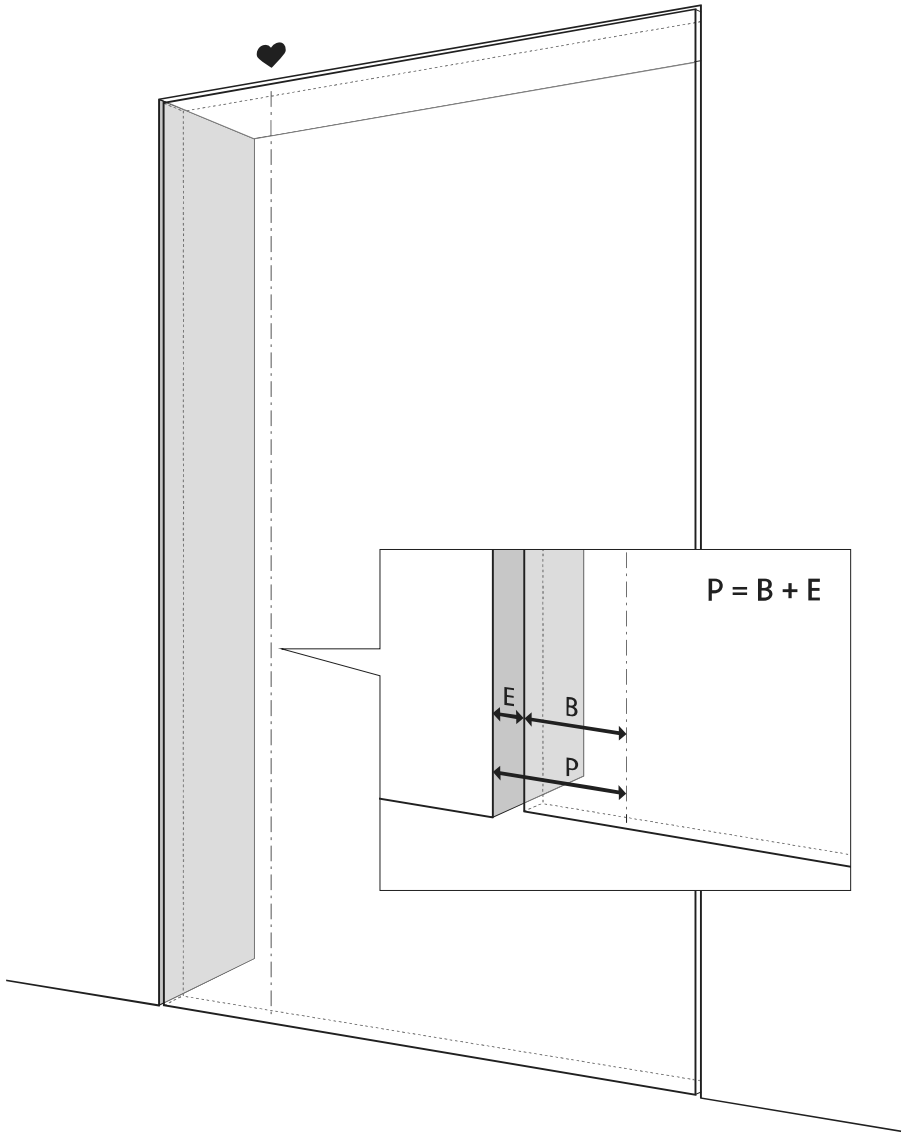
MT.M+.Mount

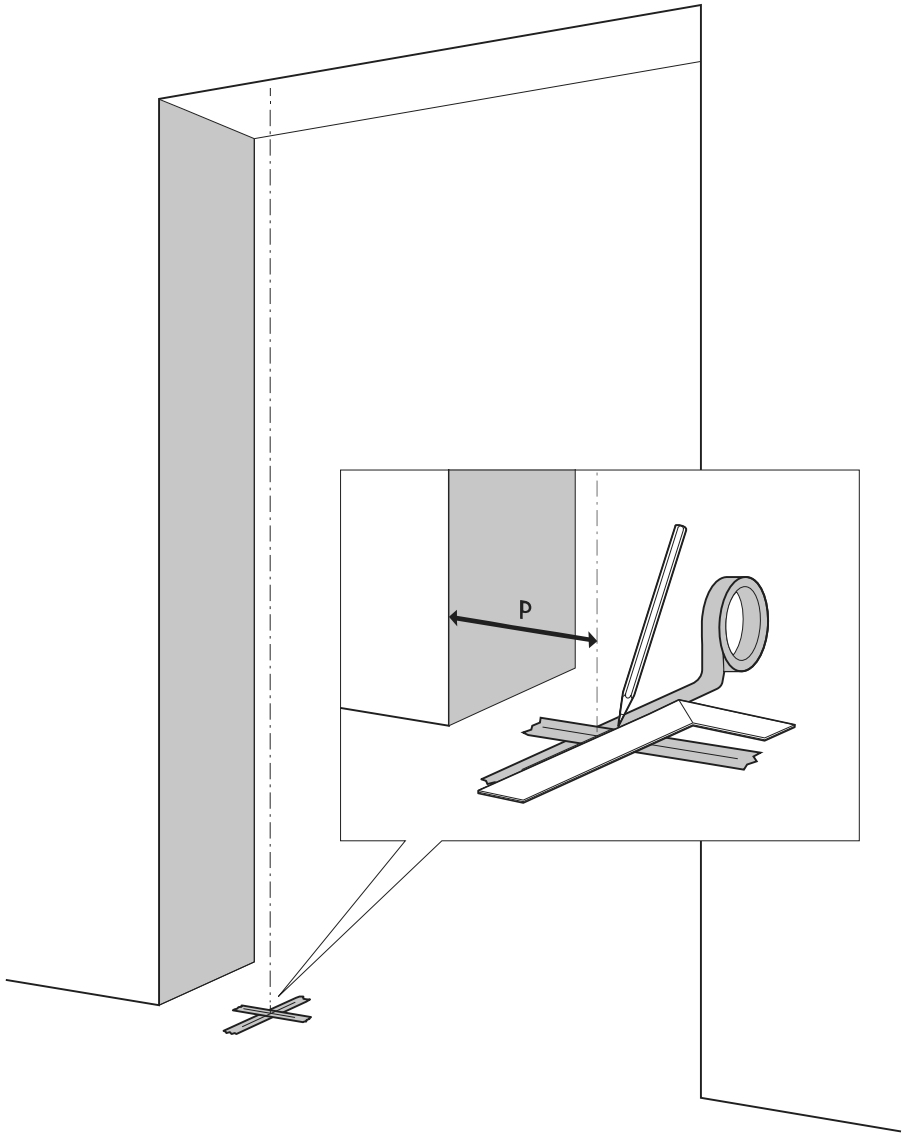


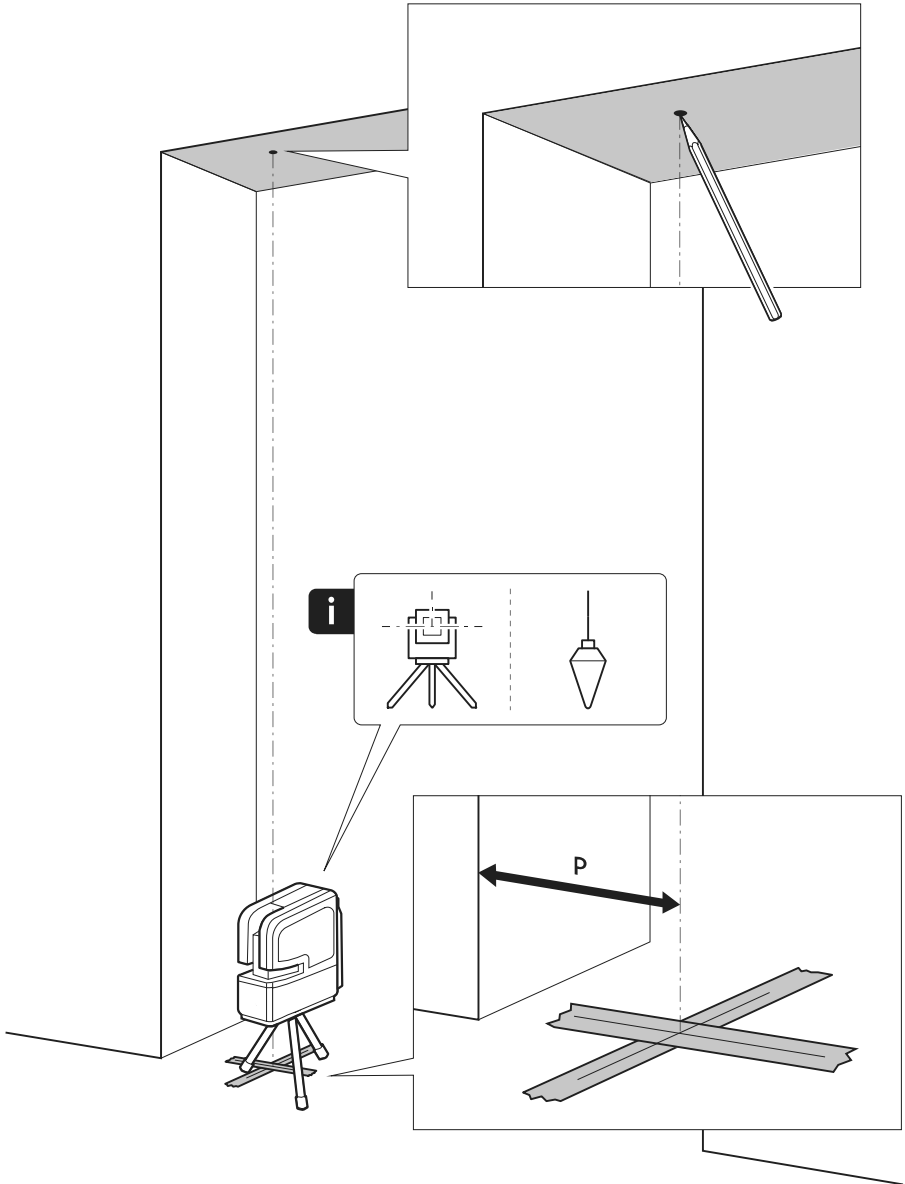
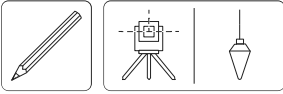
To.M

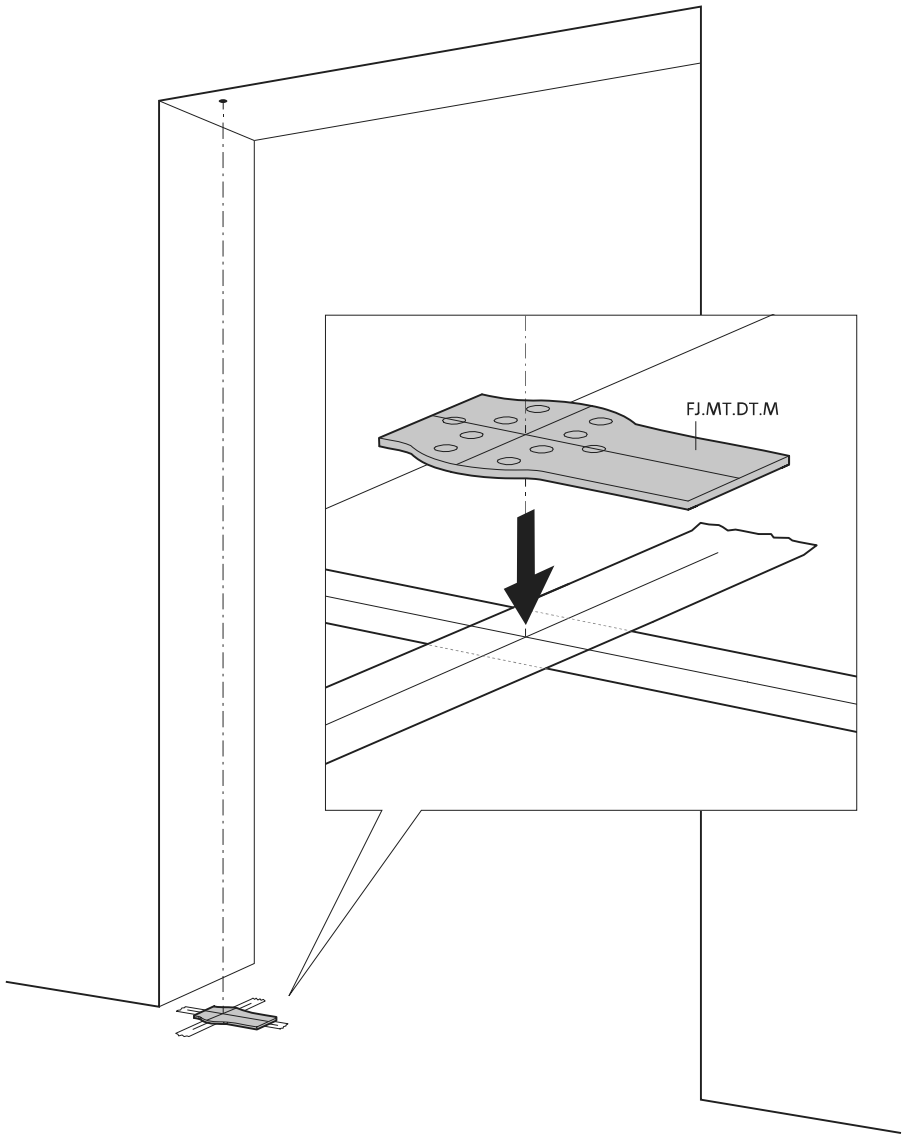


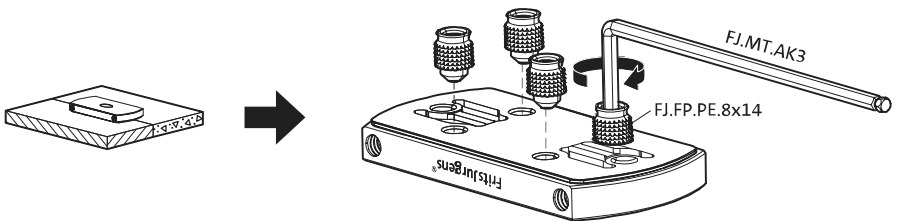
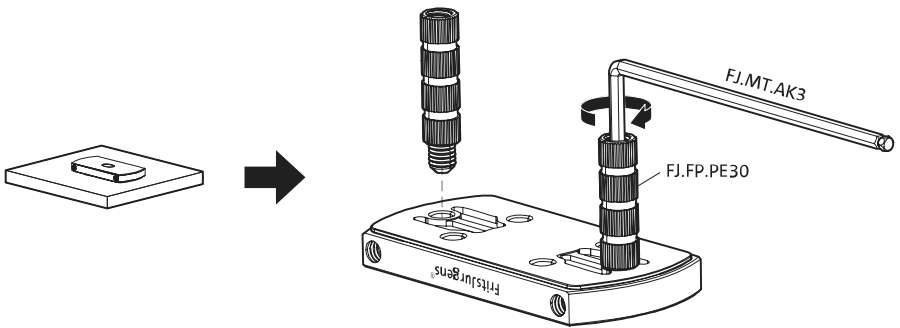
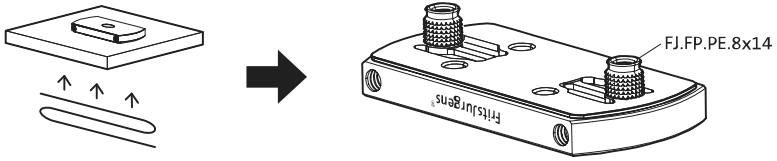






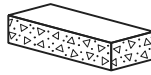




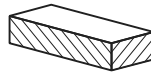




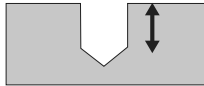
ø8 mm (5/16")



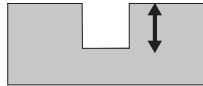
ø8 mm (5/16")



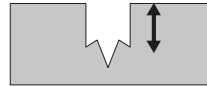
ø7.5 mm (19/64")



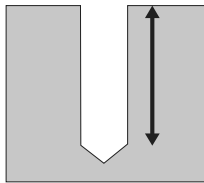
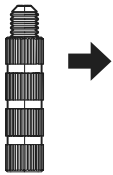
8 mm (5/16")



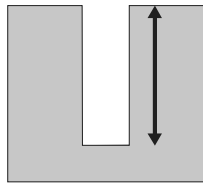
8 mm (5/16")



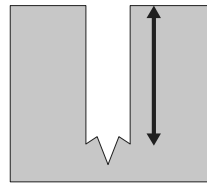
8 mm (5/16")



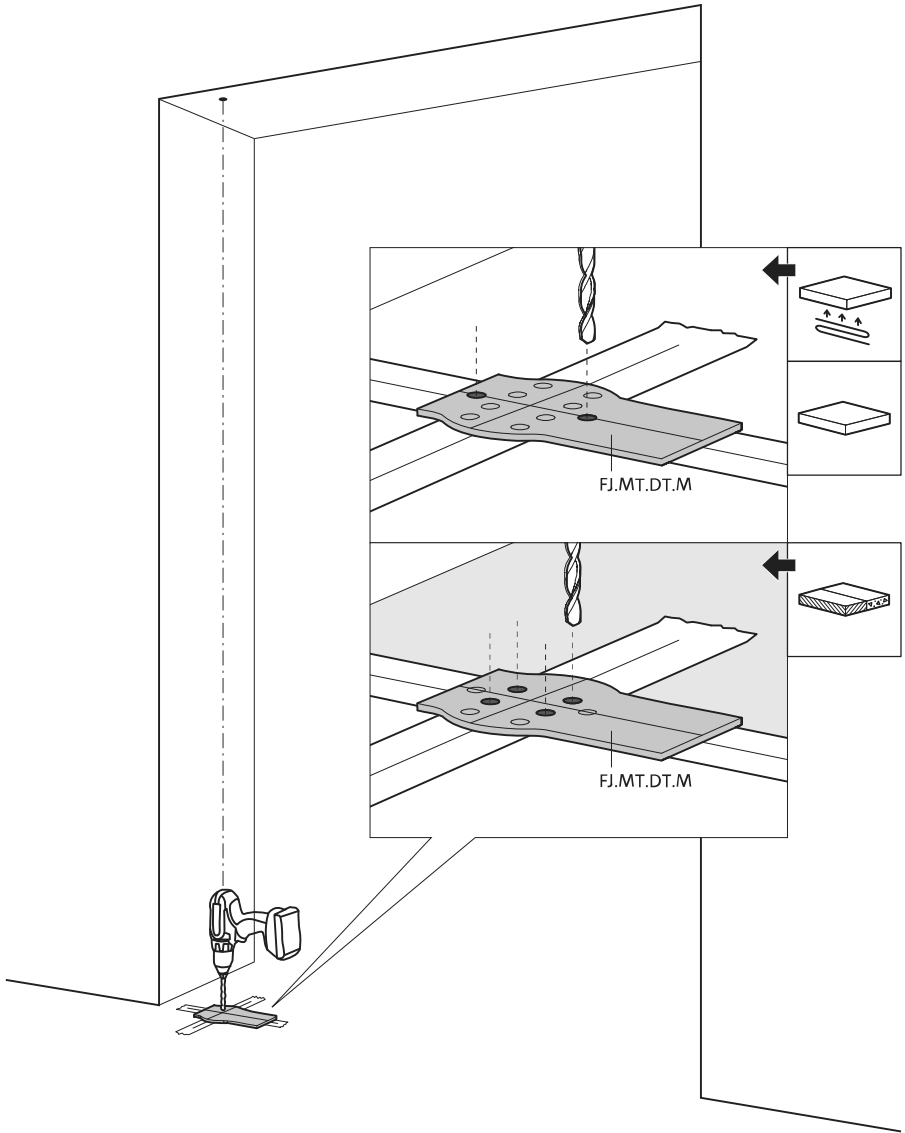
30 mm (13/16")

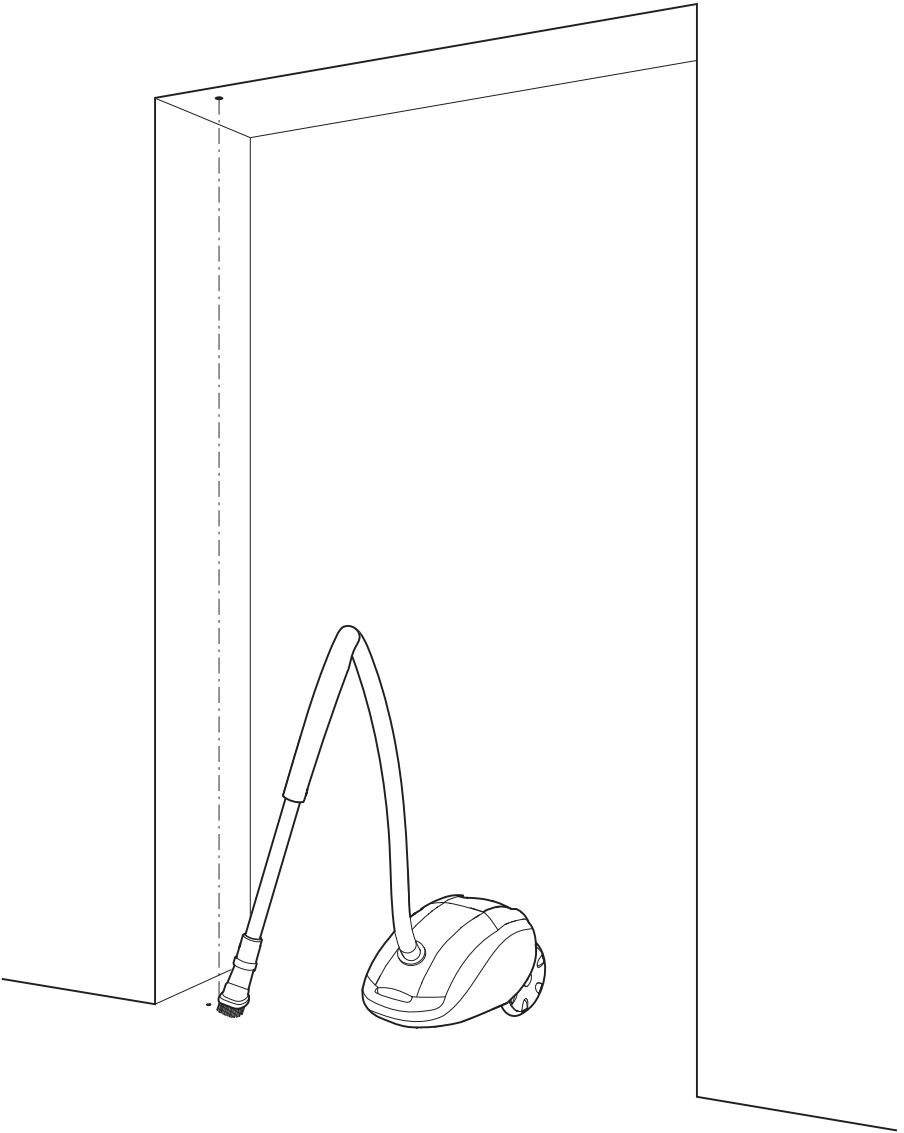


30 mm (13/16")



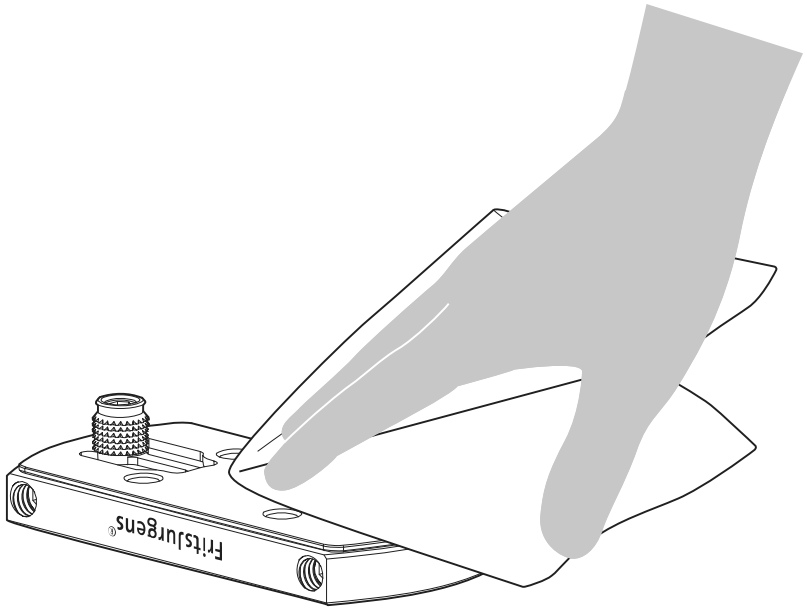
30 mm (13/16")



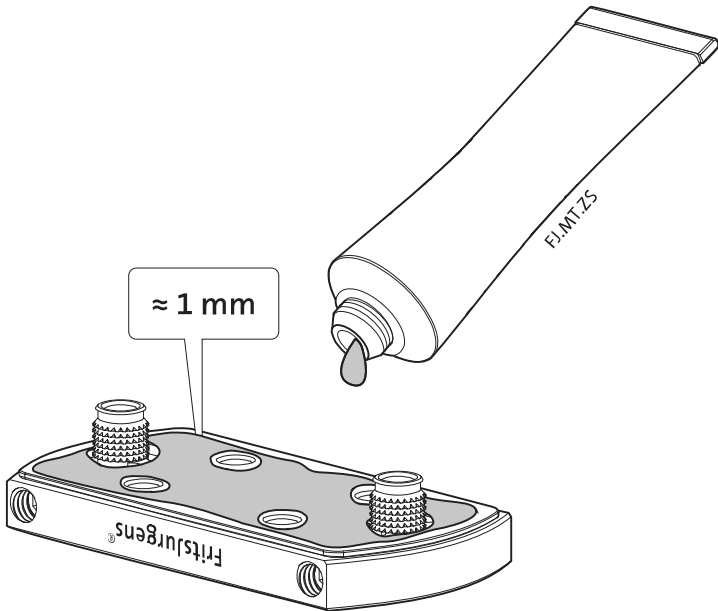


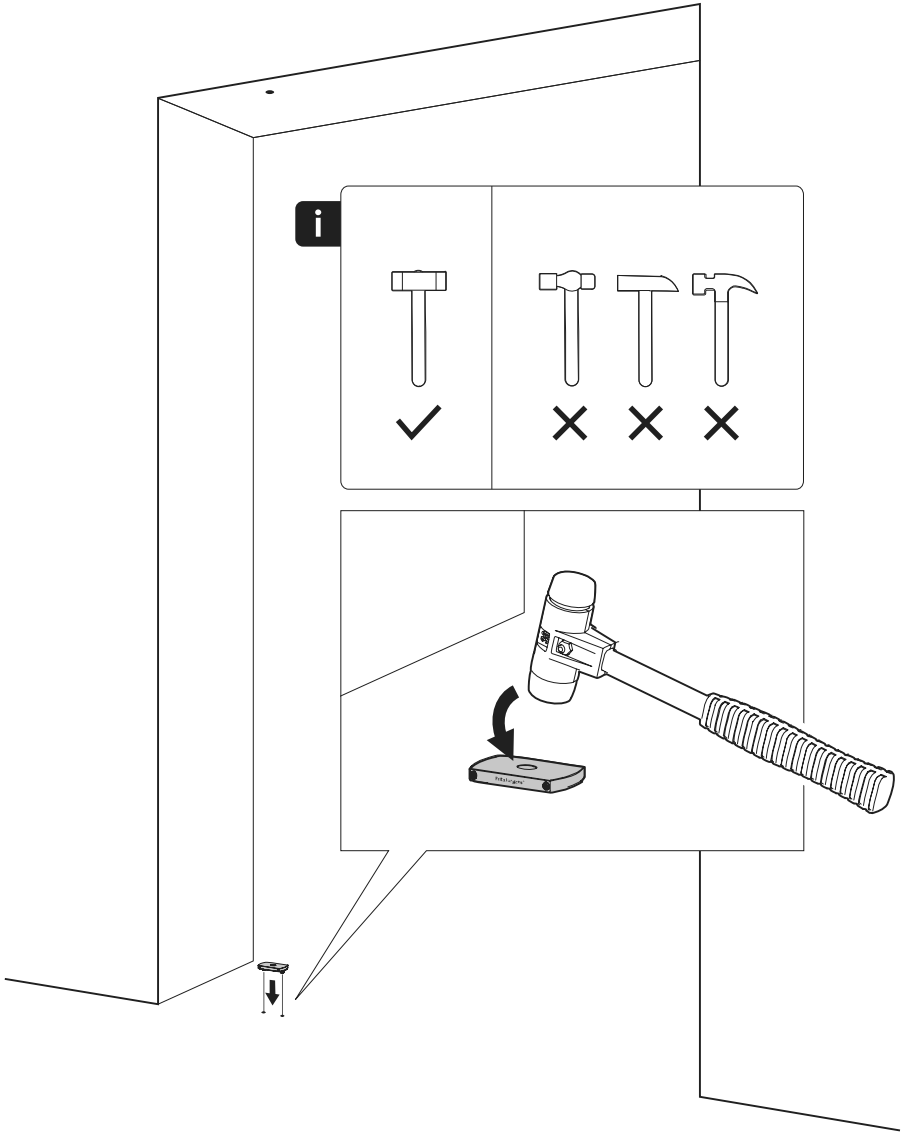


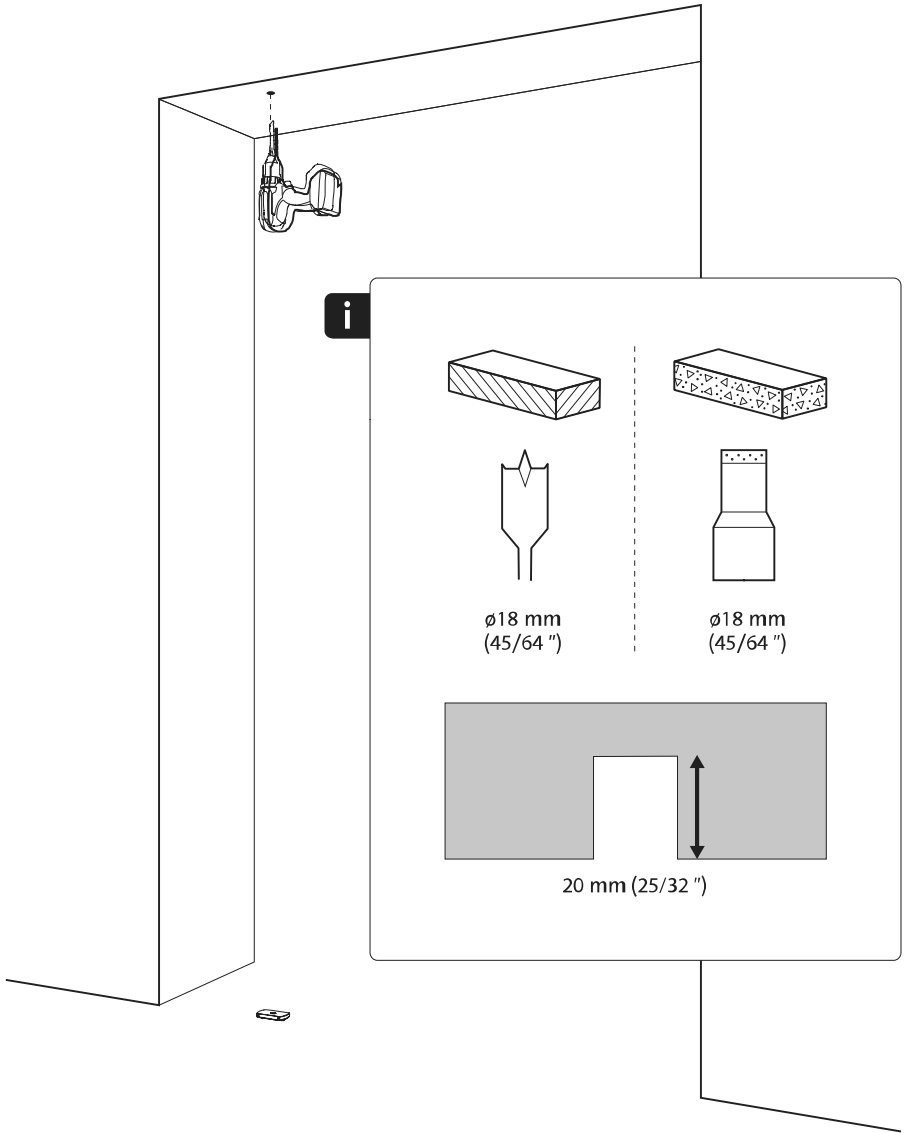
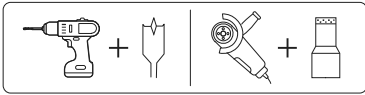
1



2

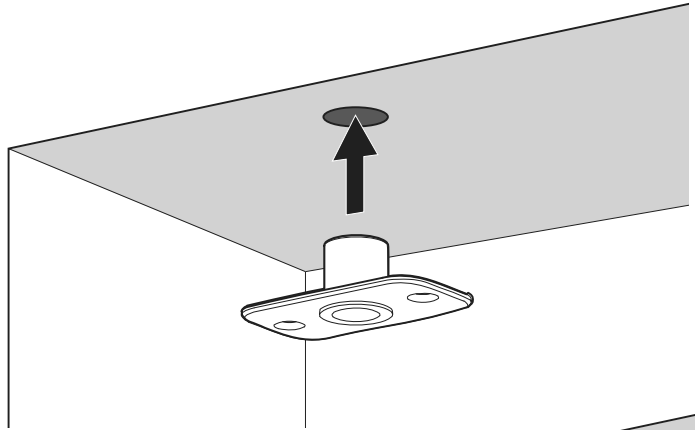




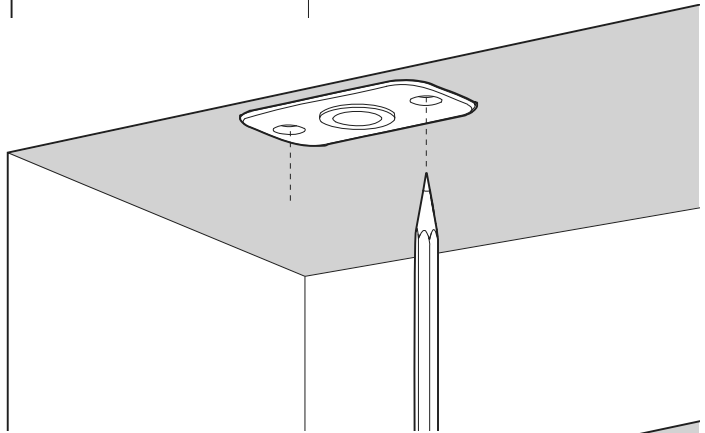




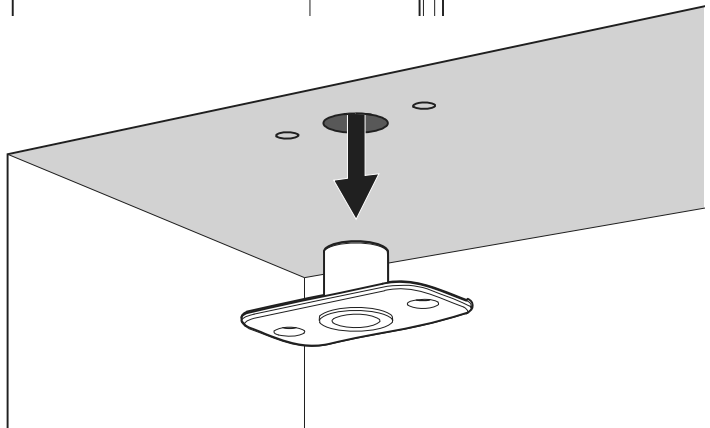
1



2

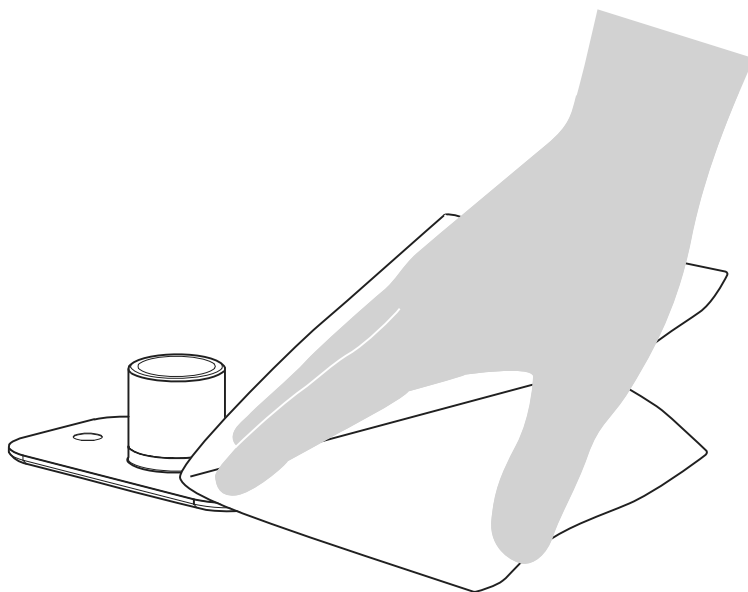


3

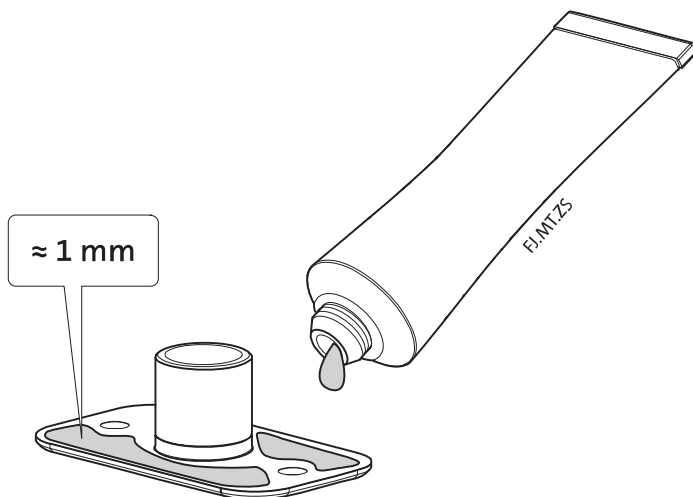


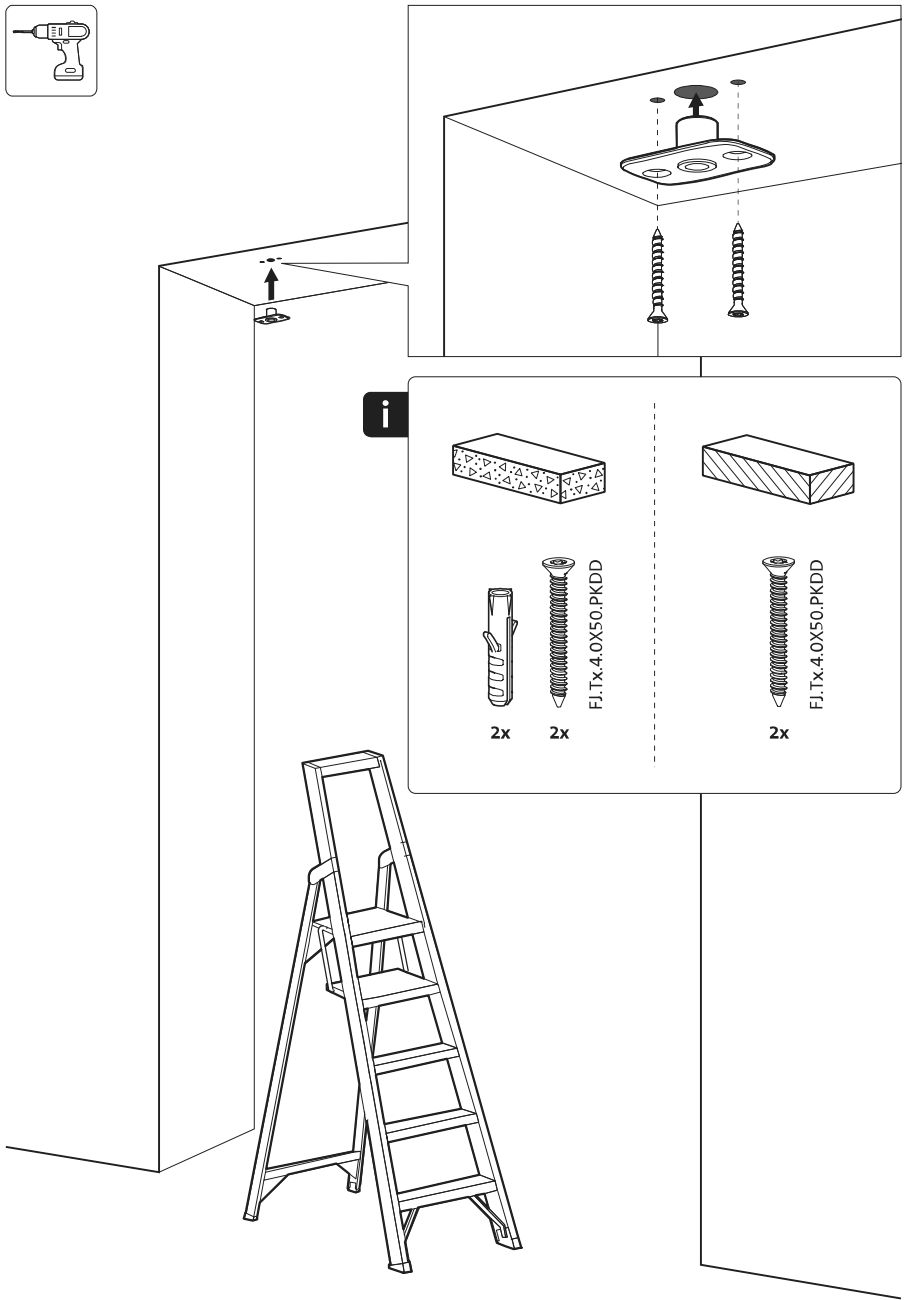


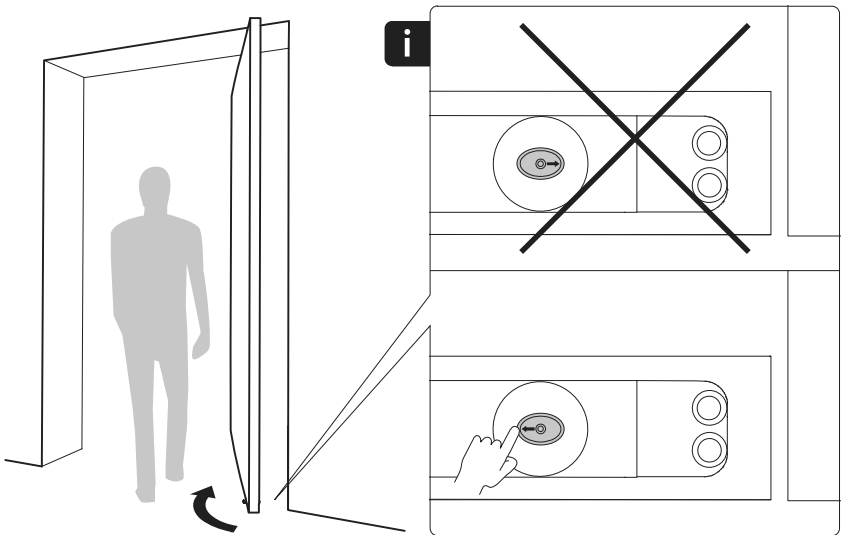
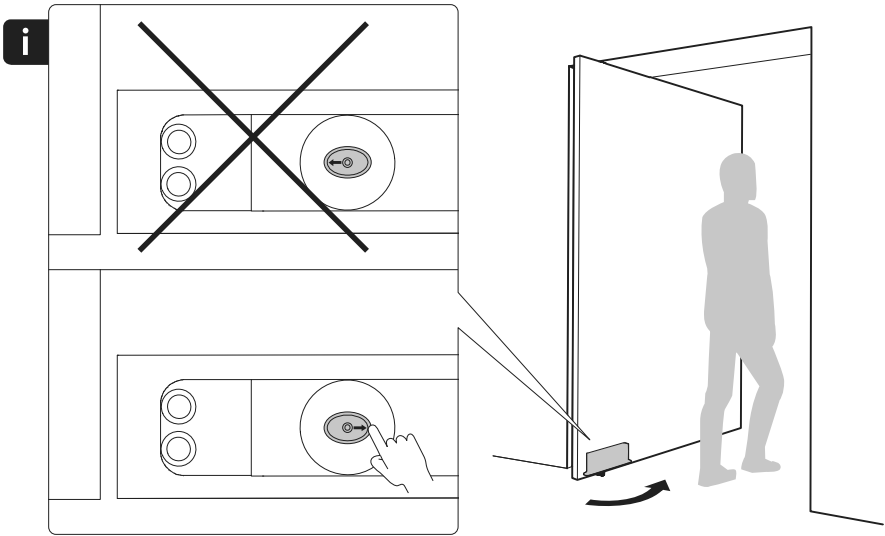
1

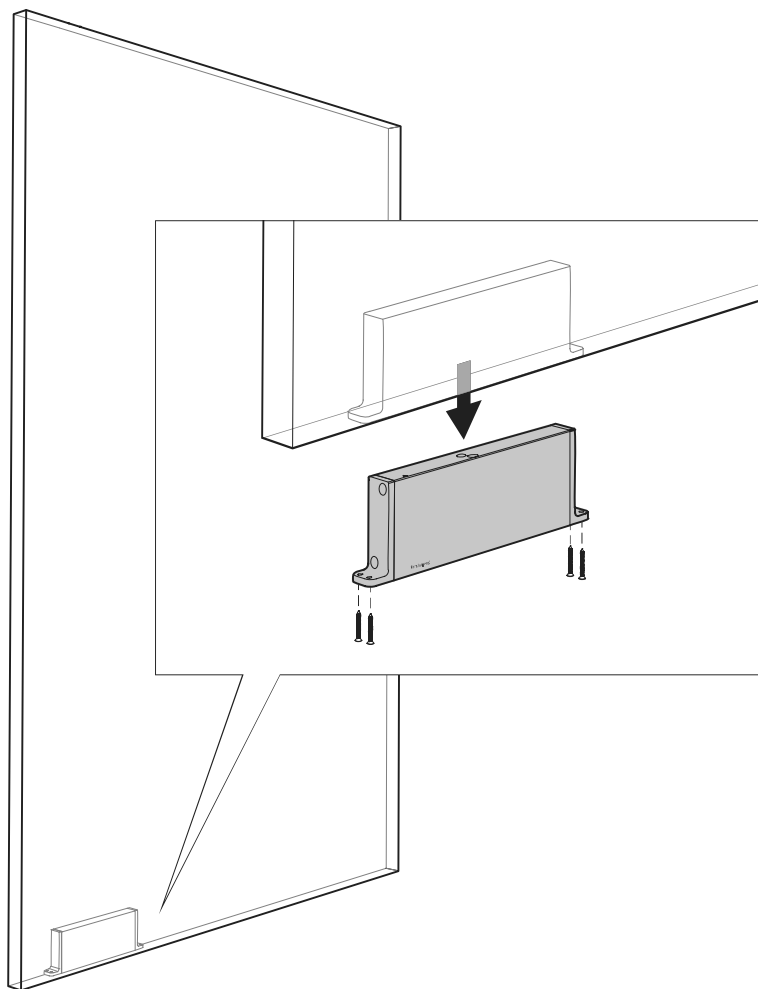


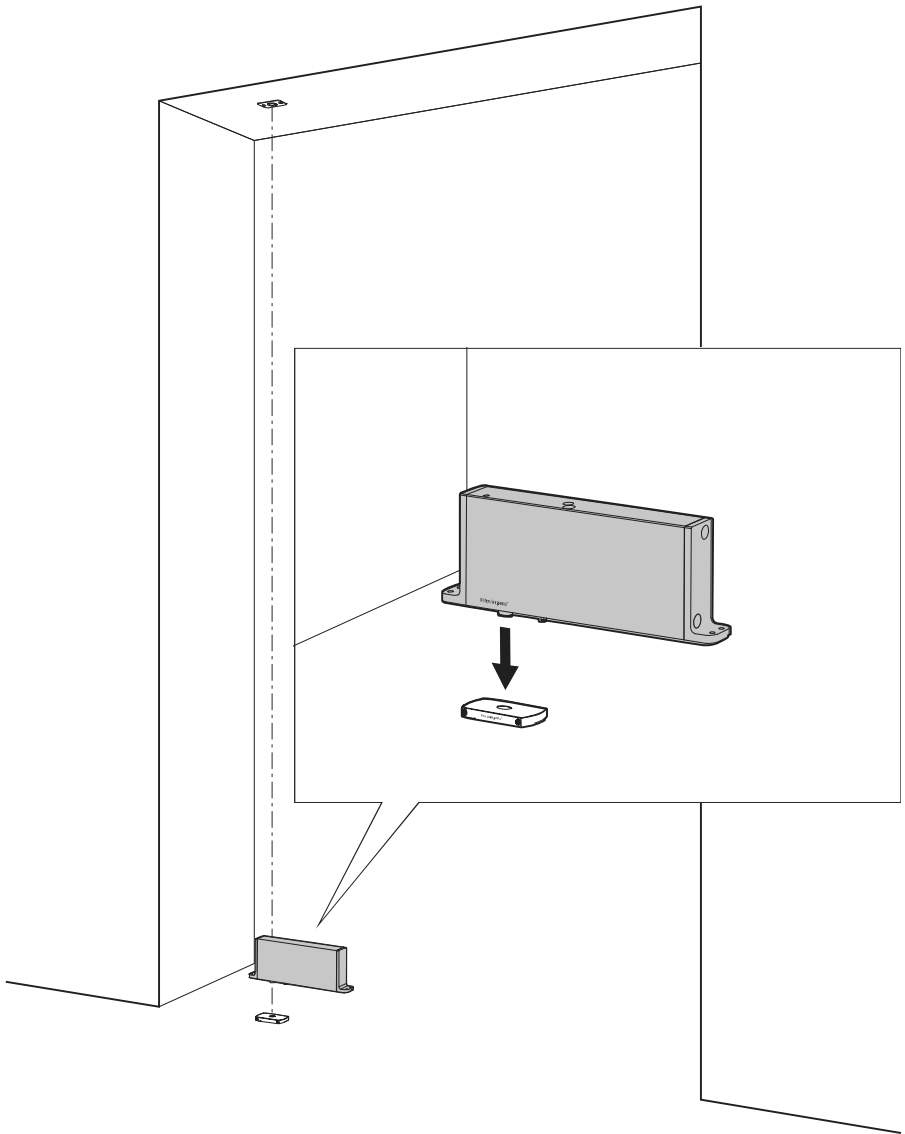
2

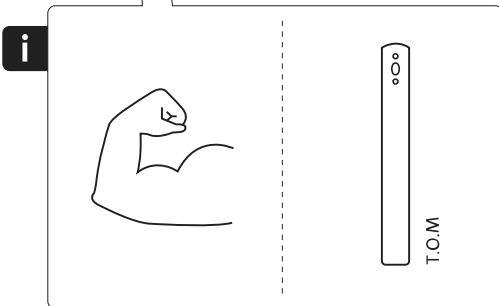
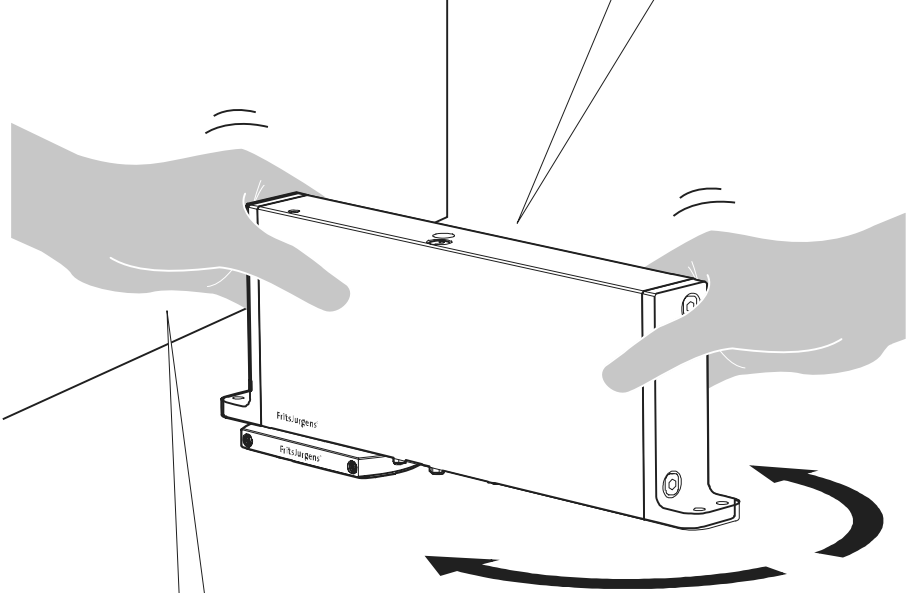
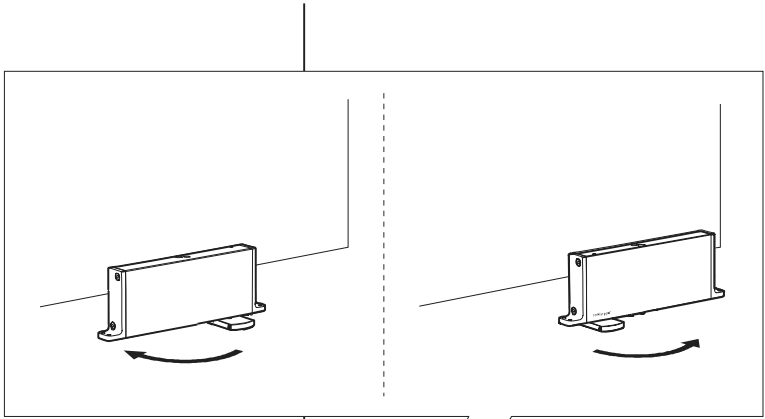


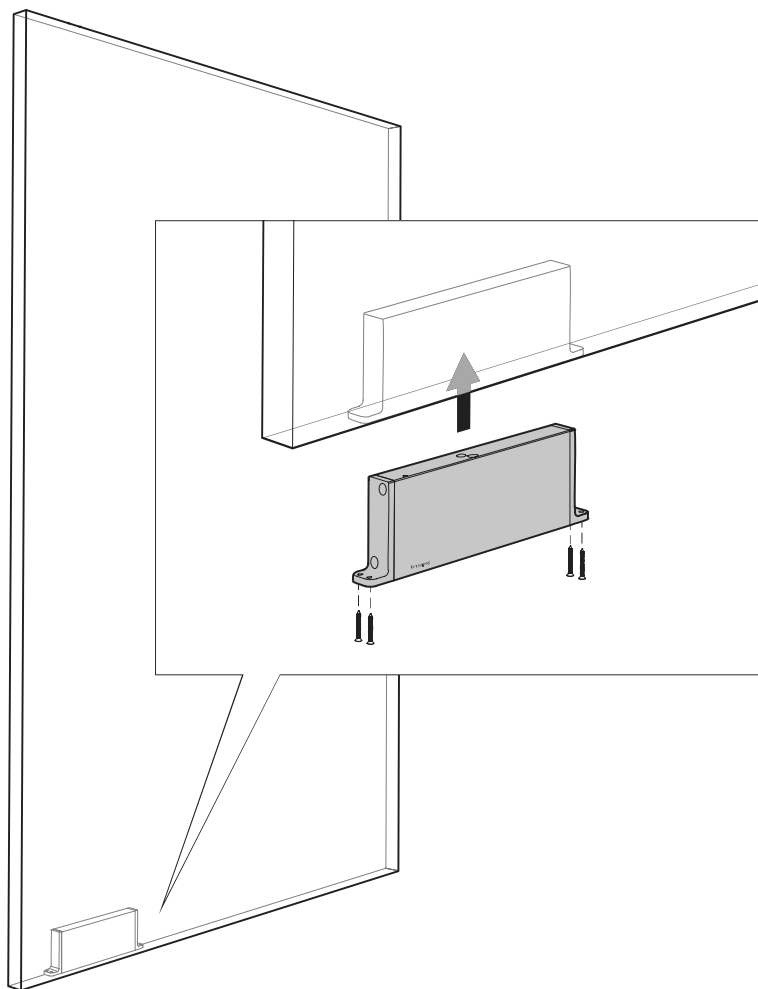


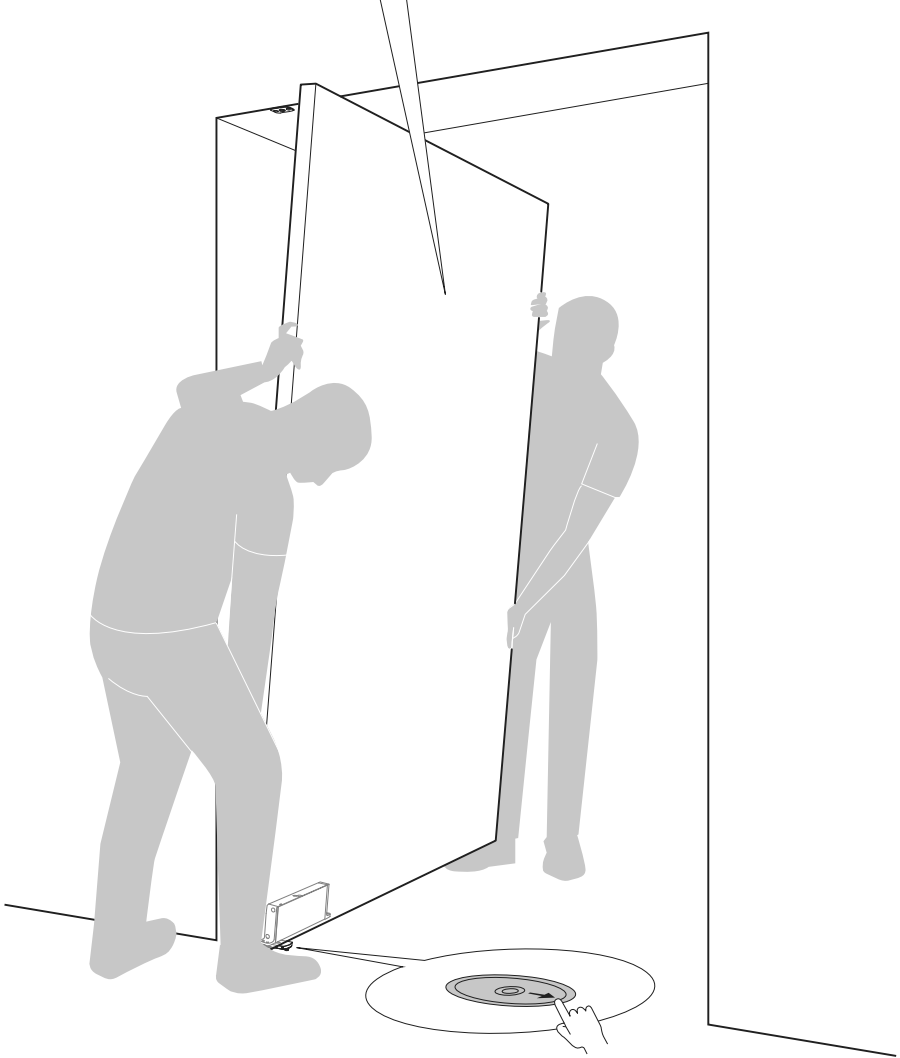
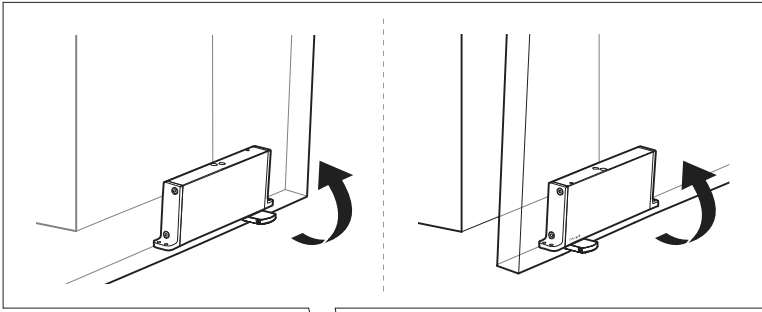


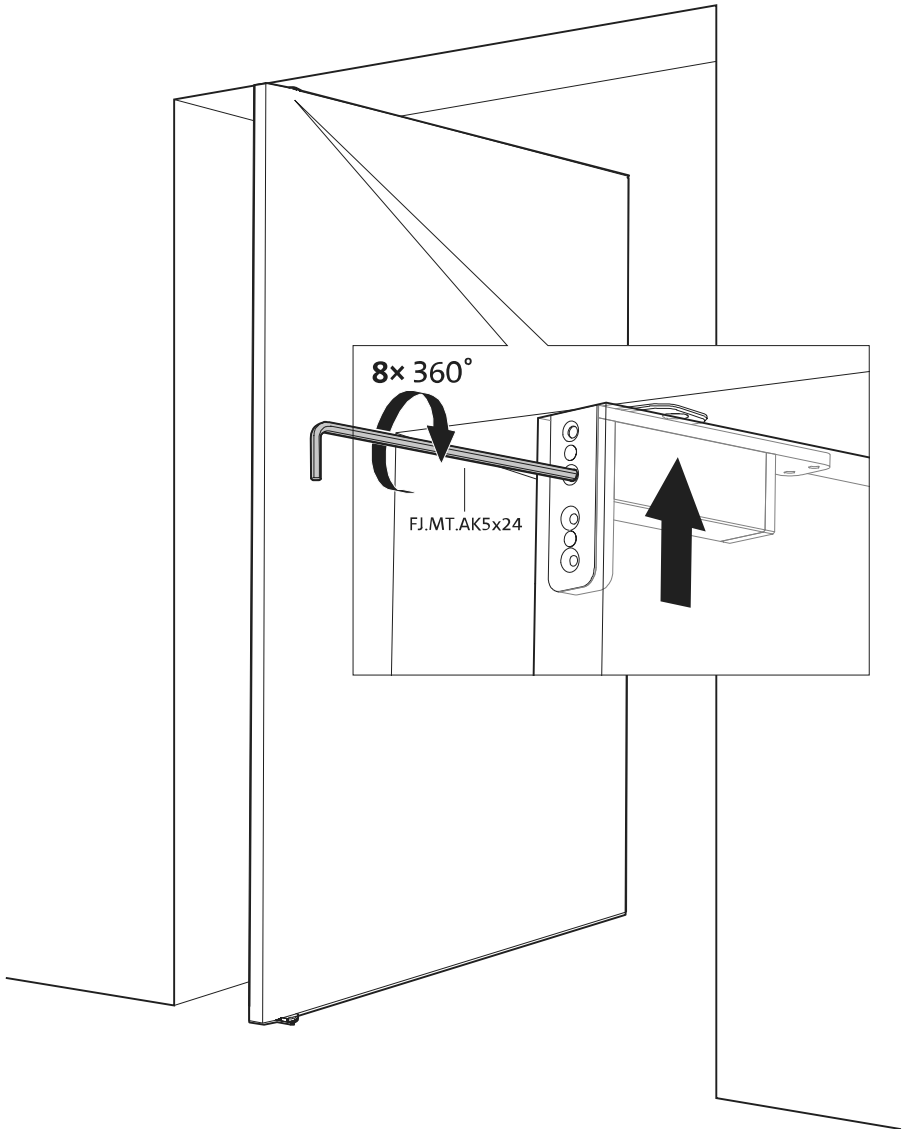
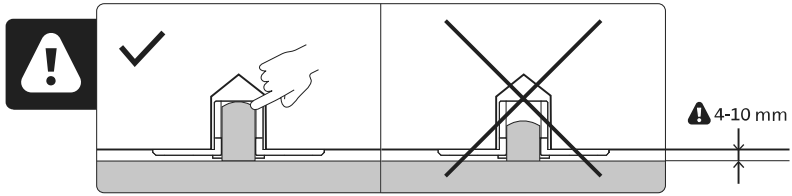


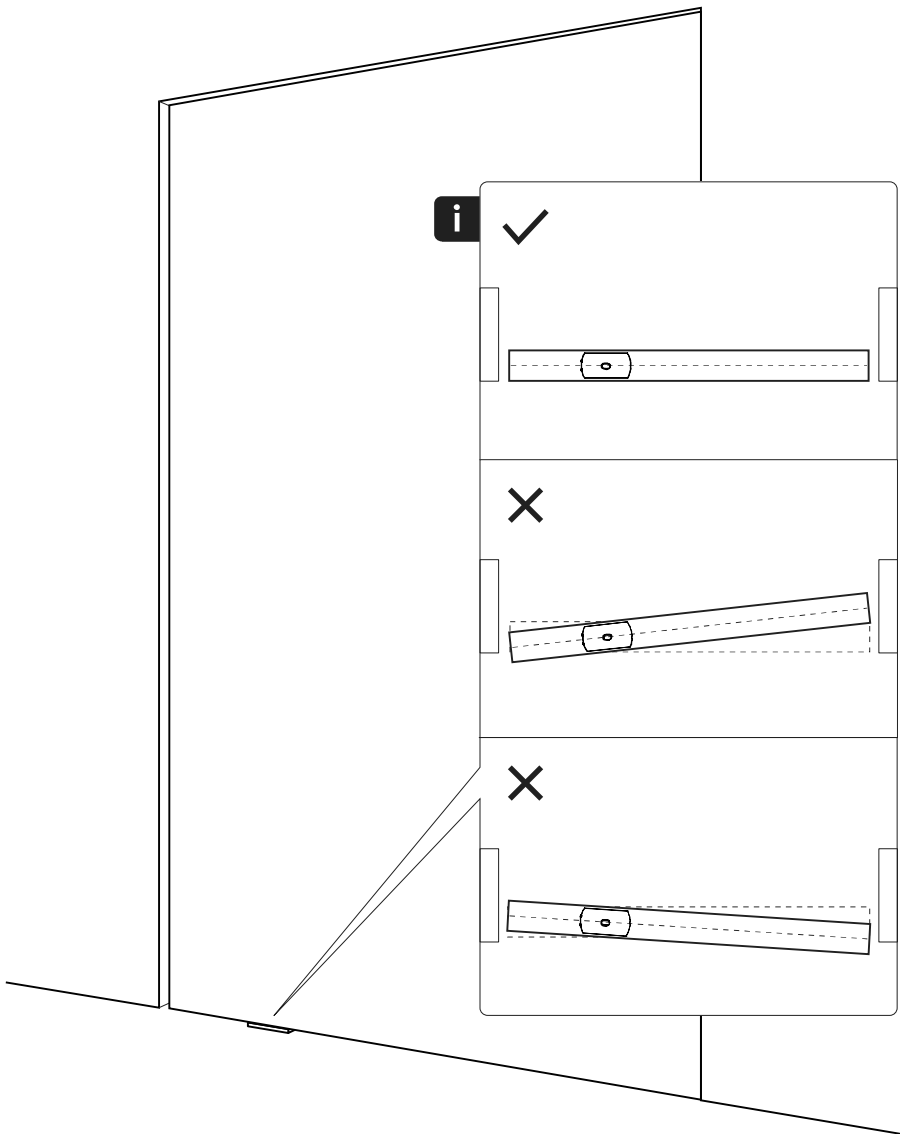


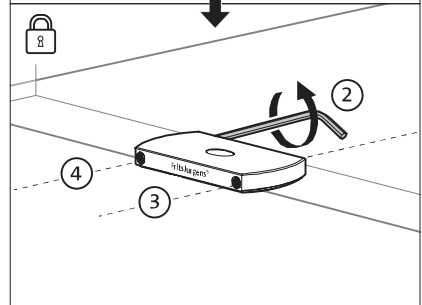
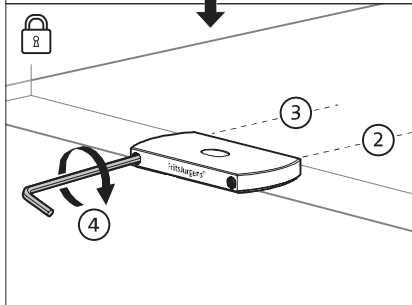
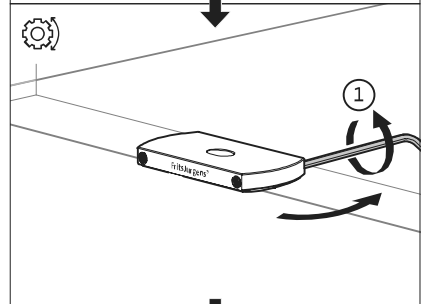
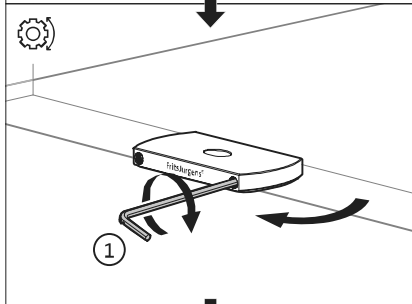
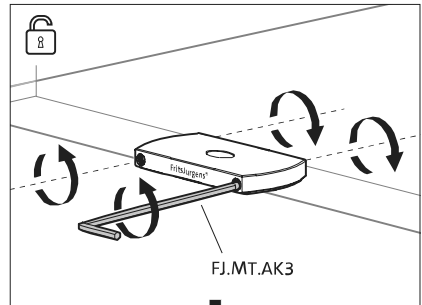
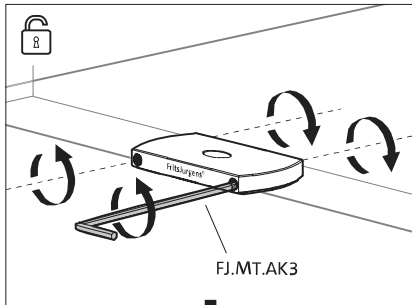
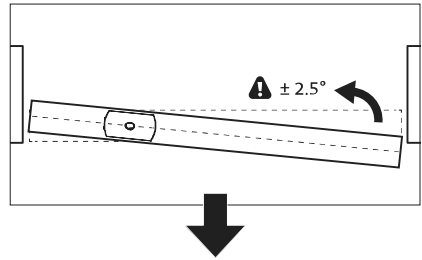
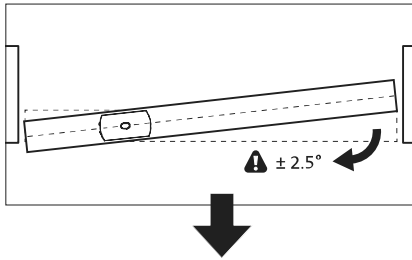


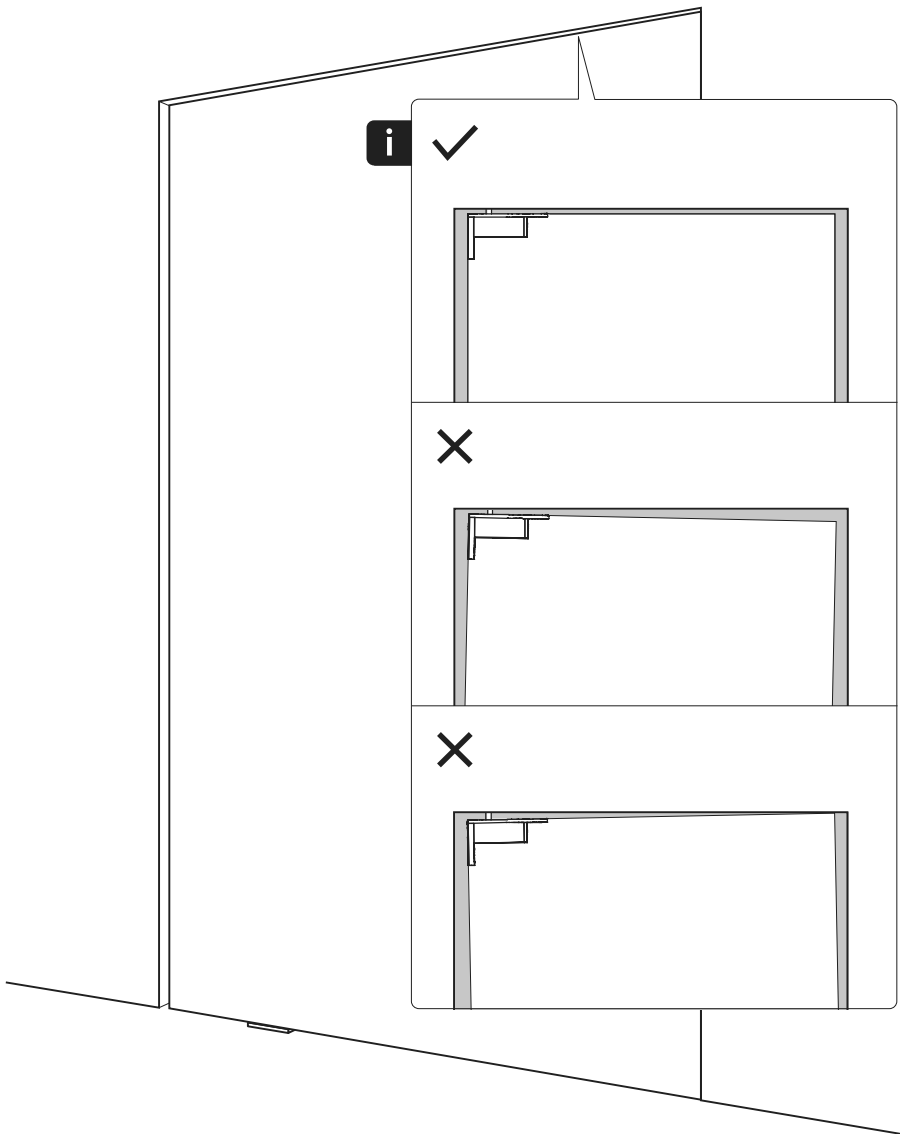


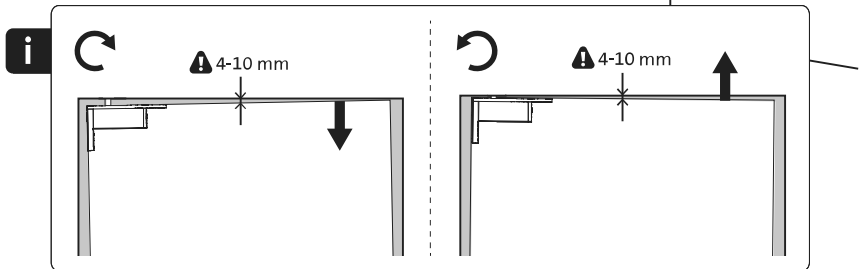
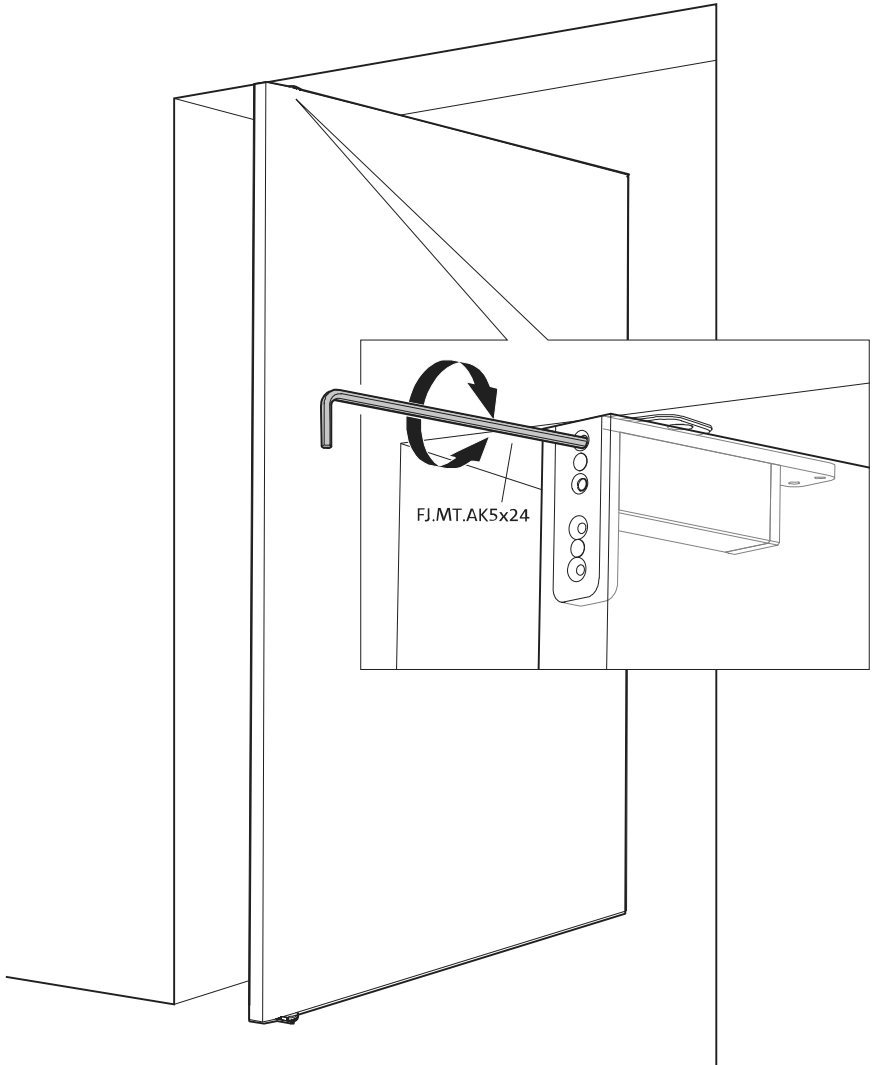


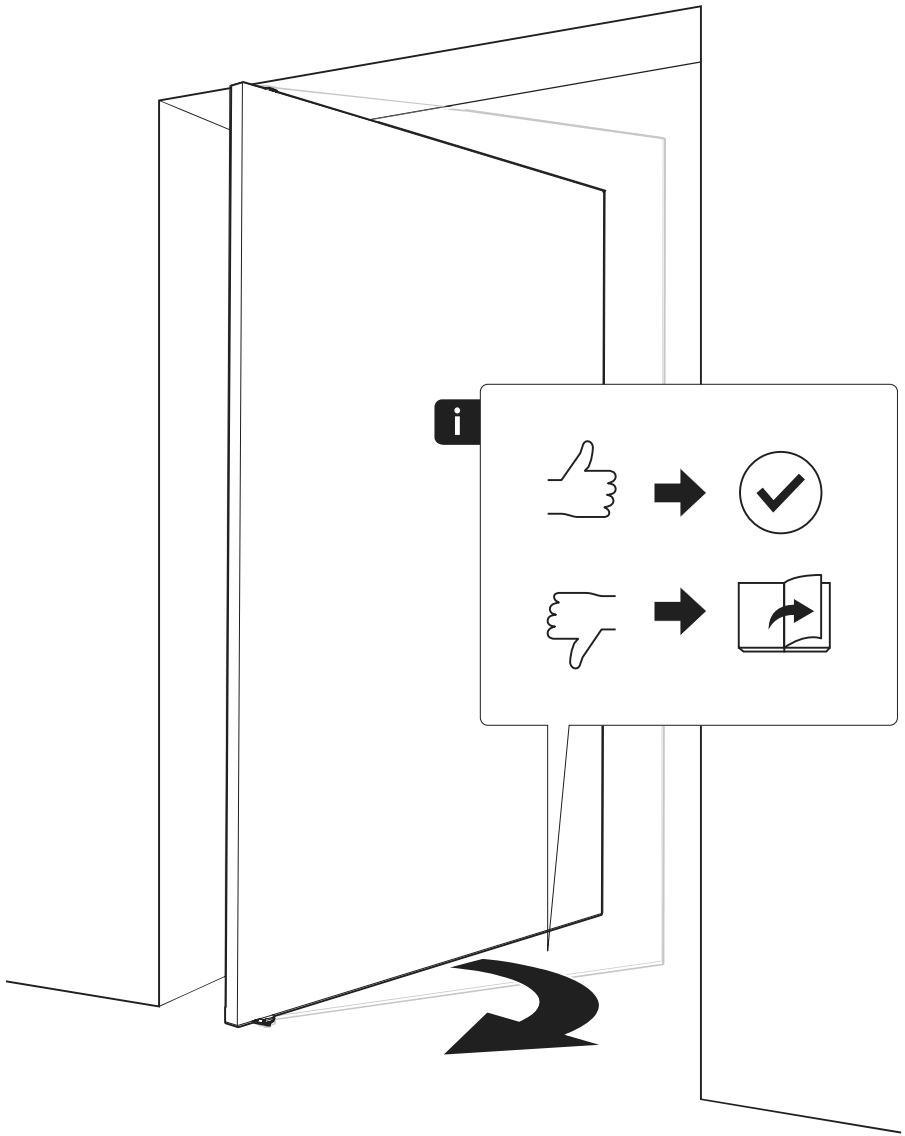






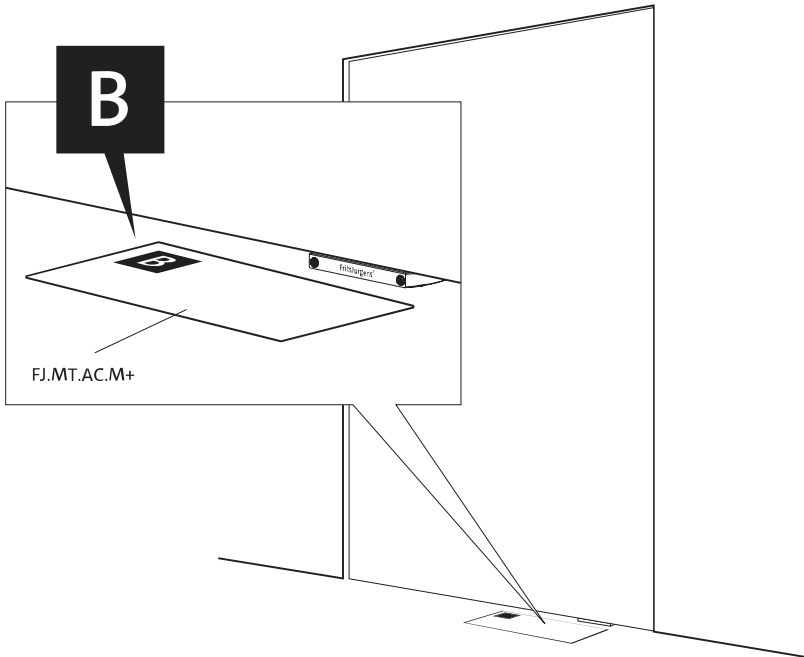
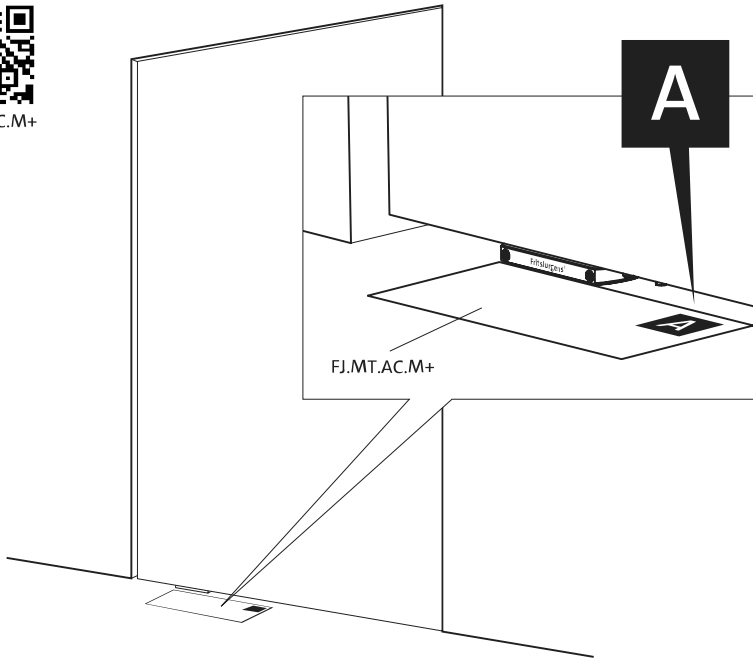


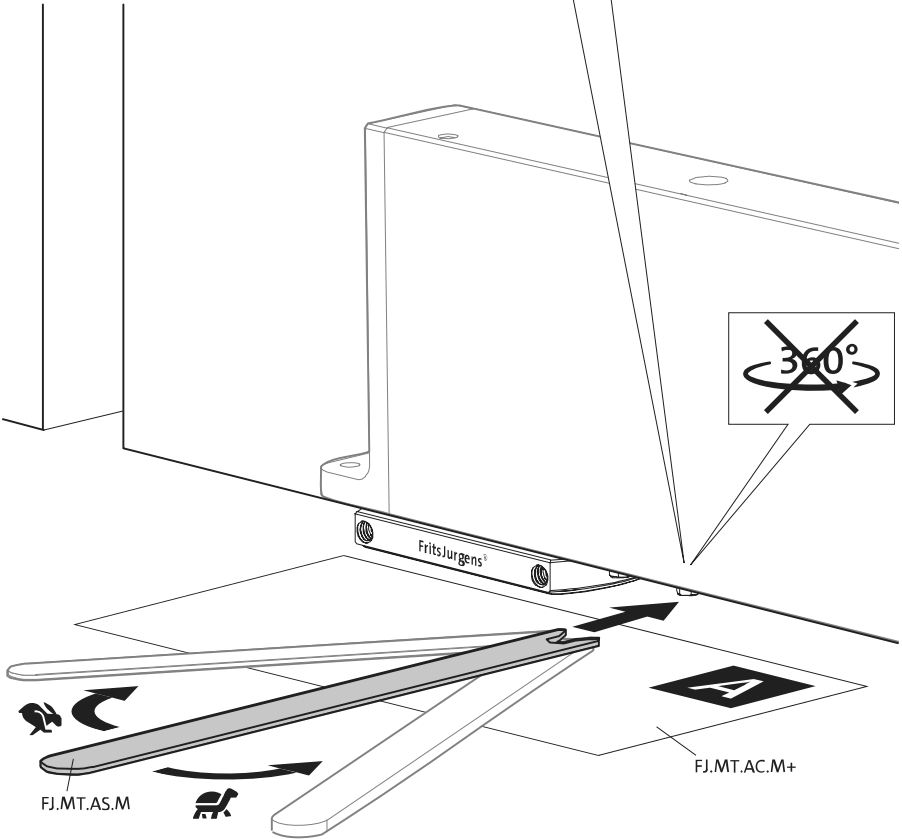
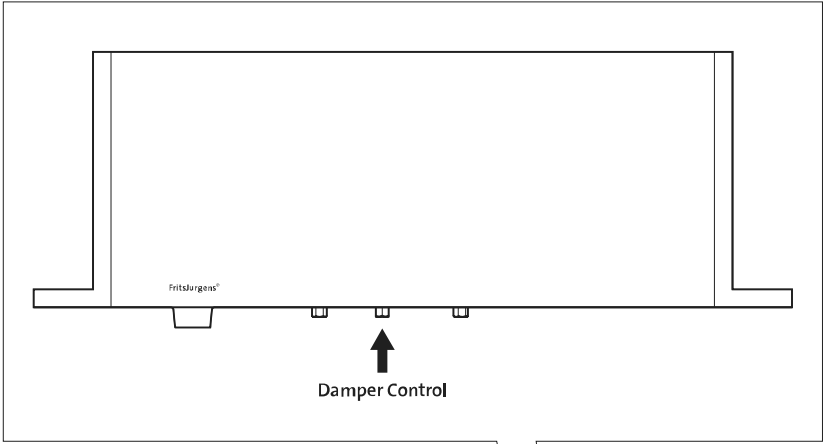


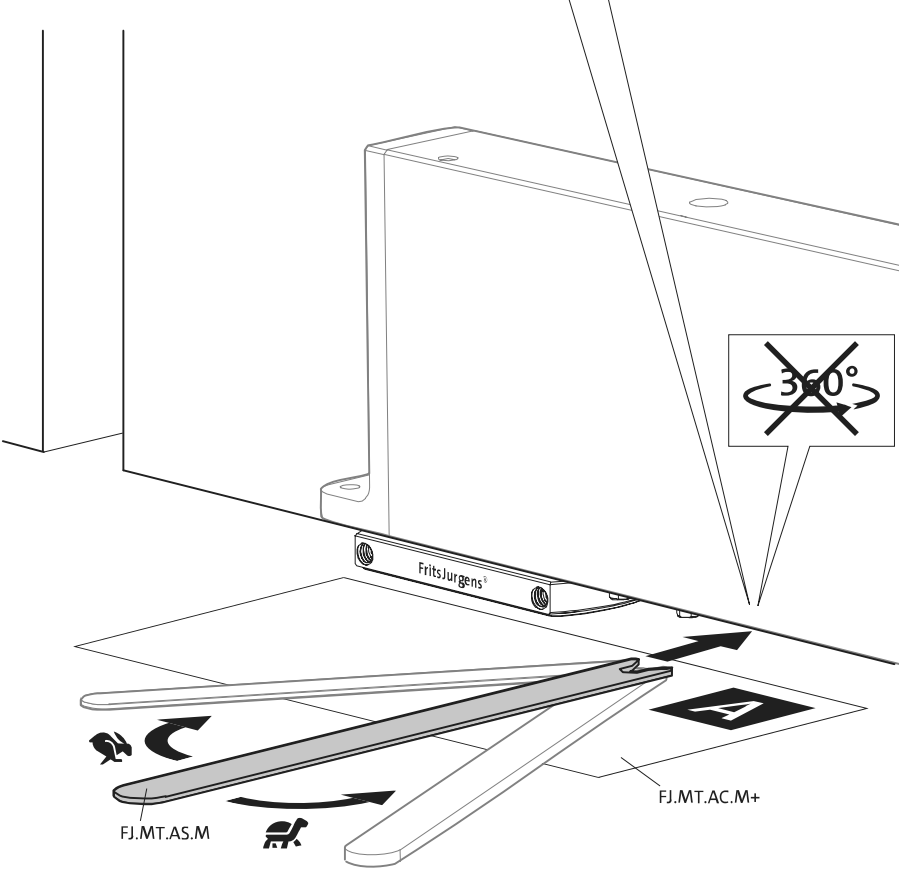
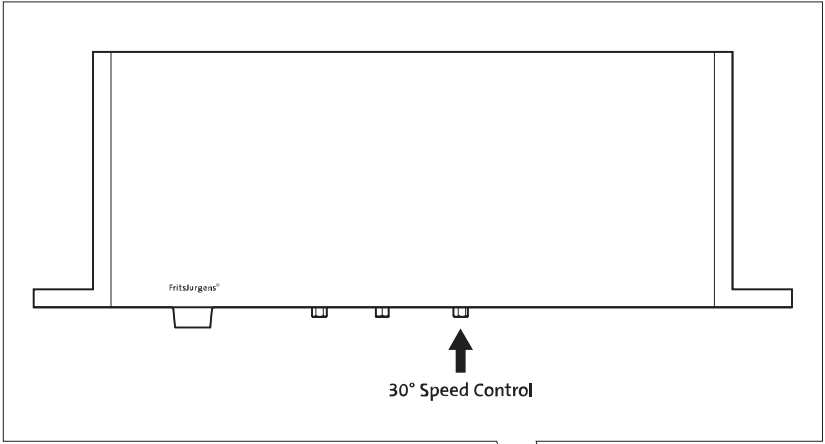


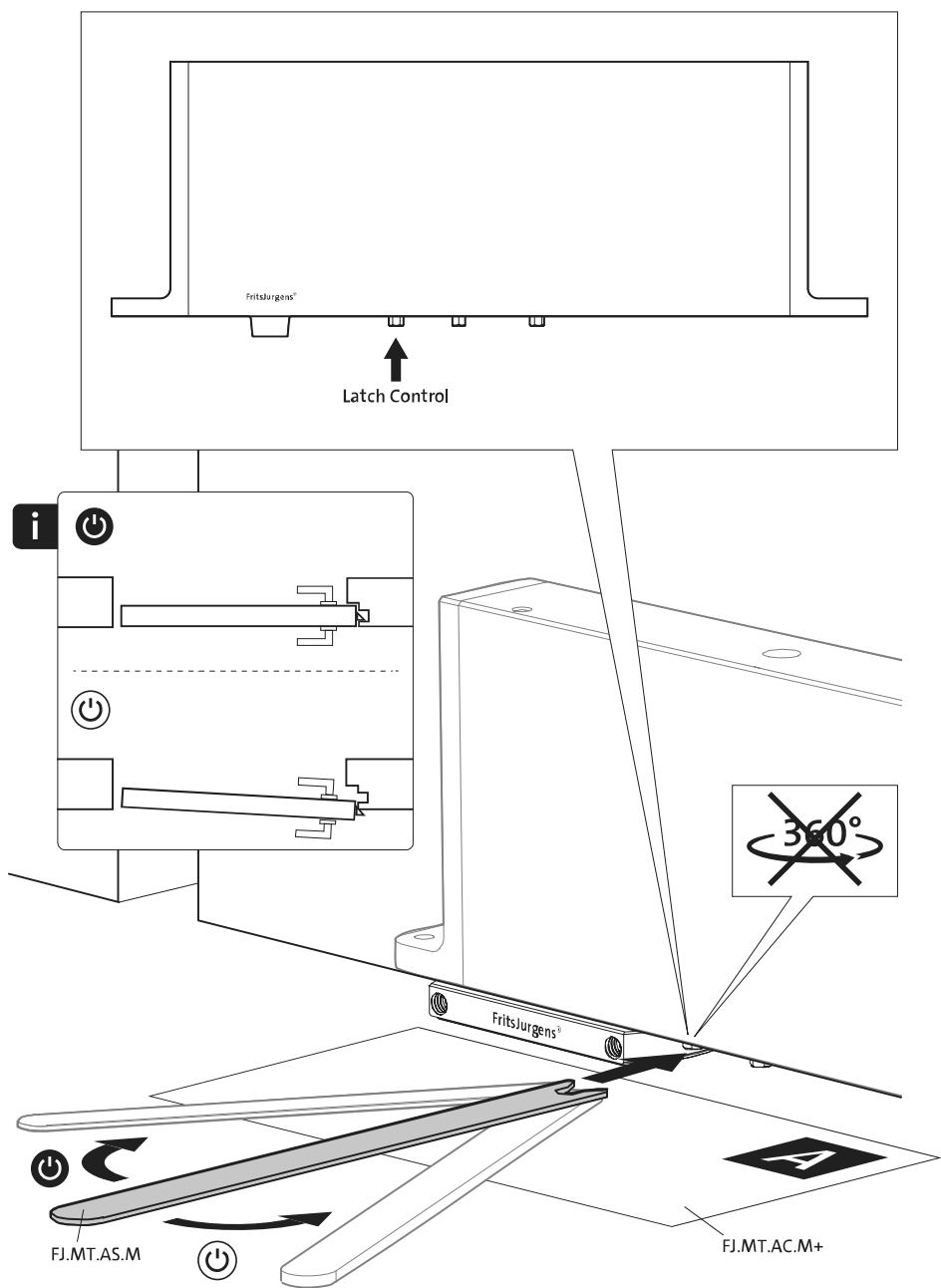


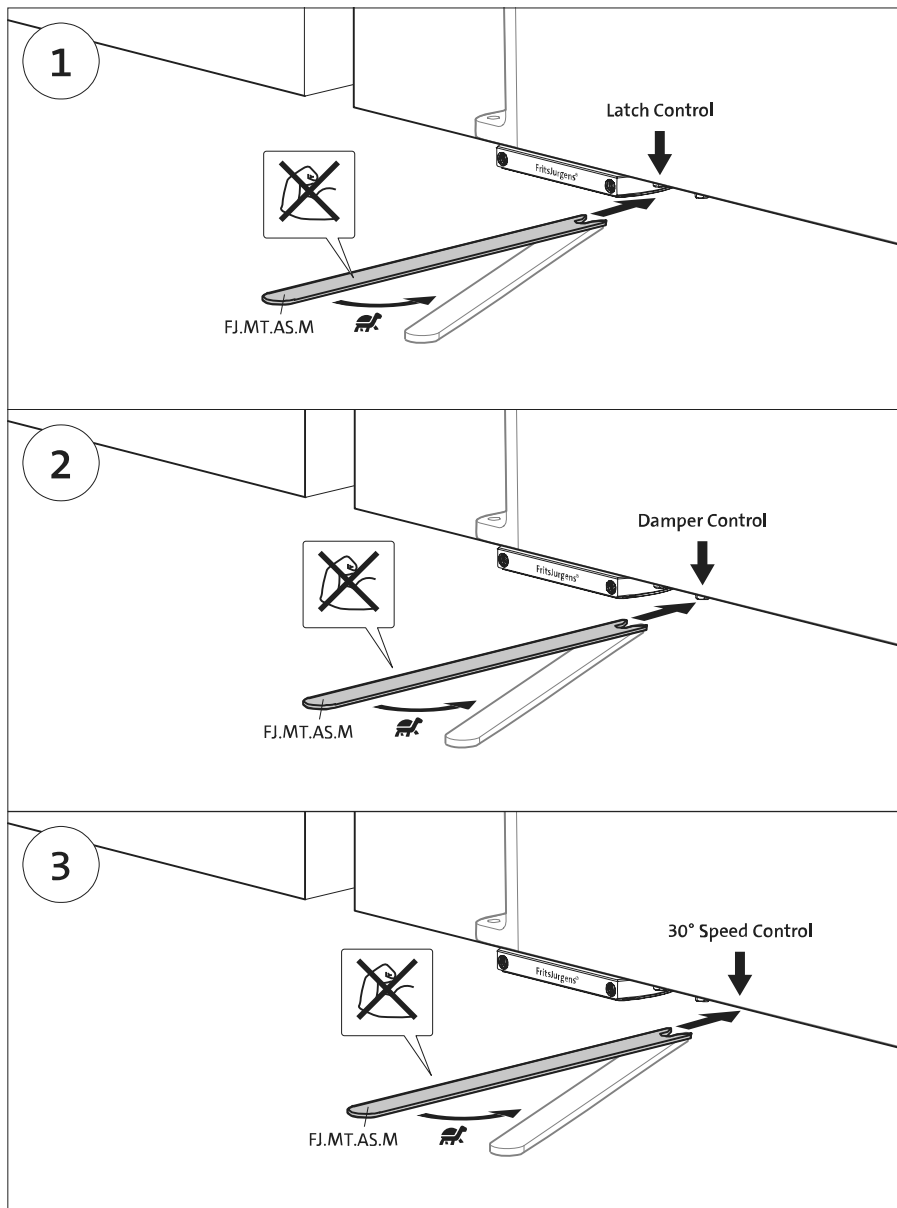
FJ.MT.AC.M+

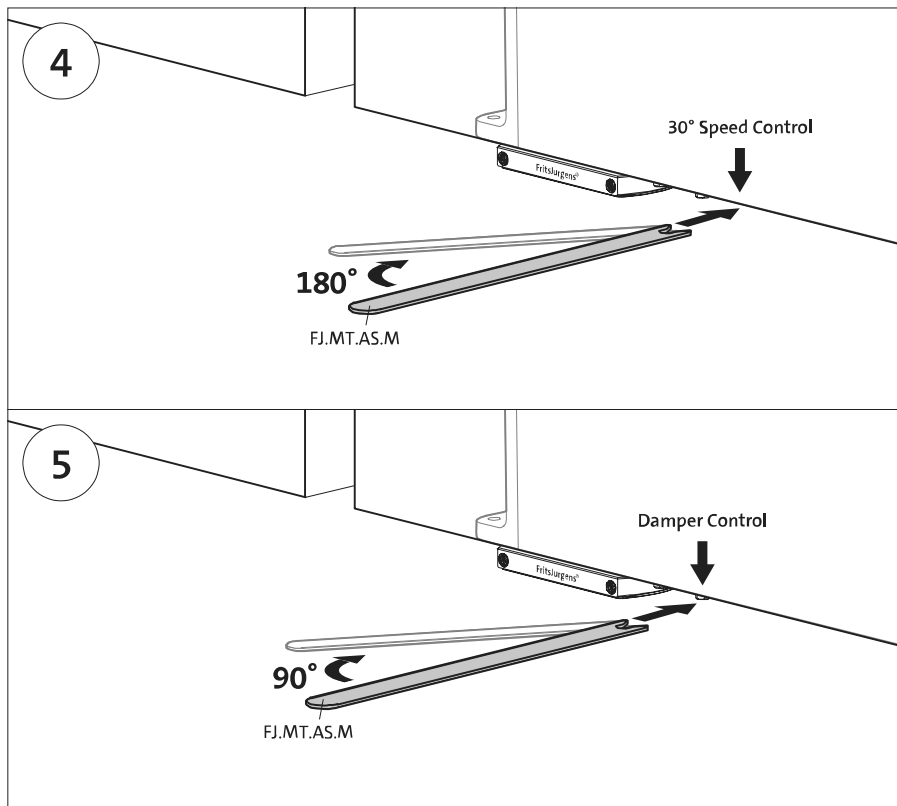




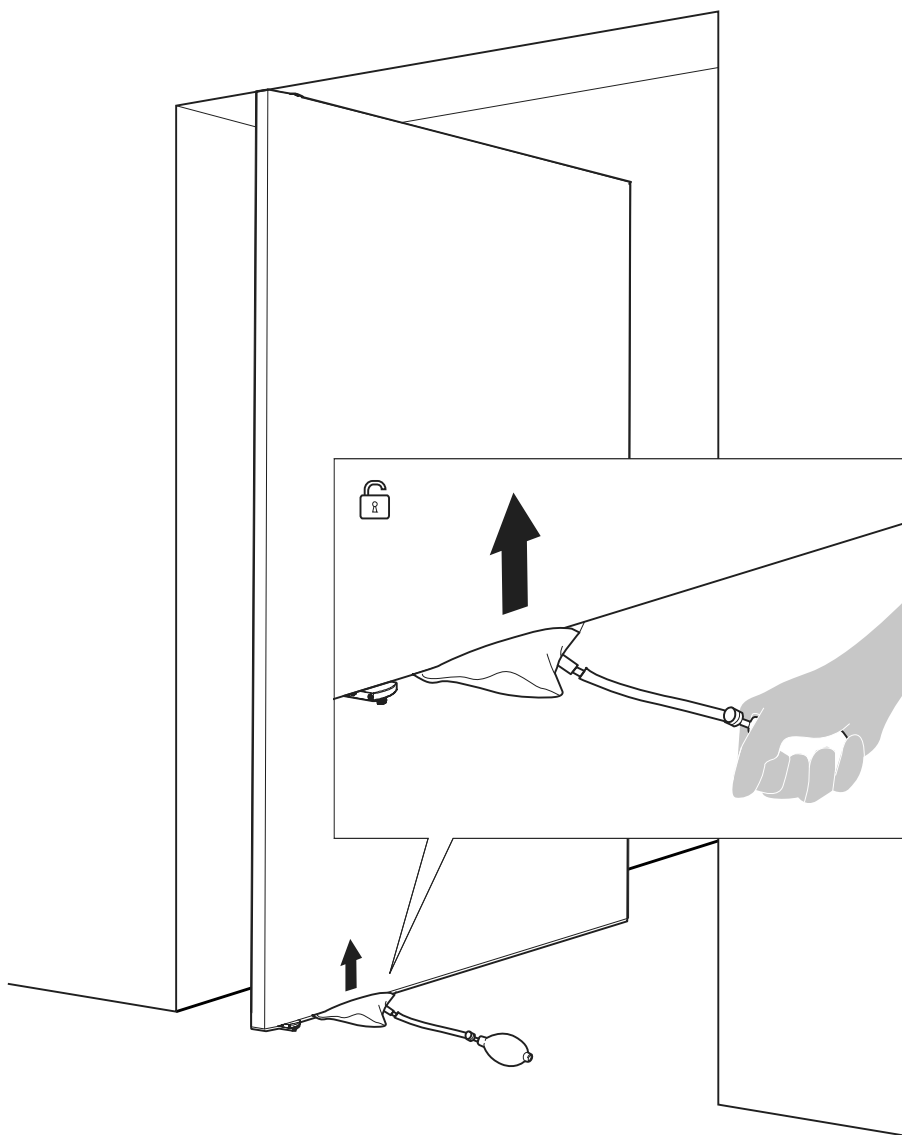


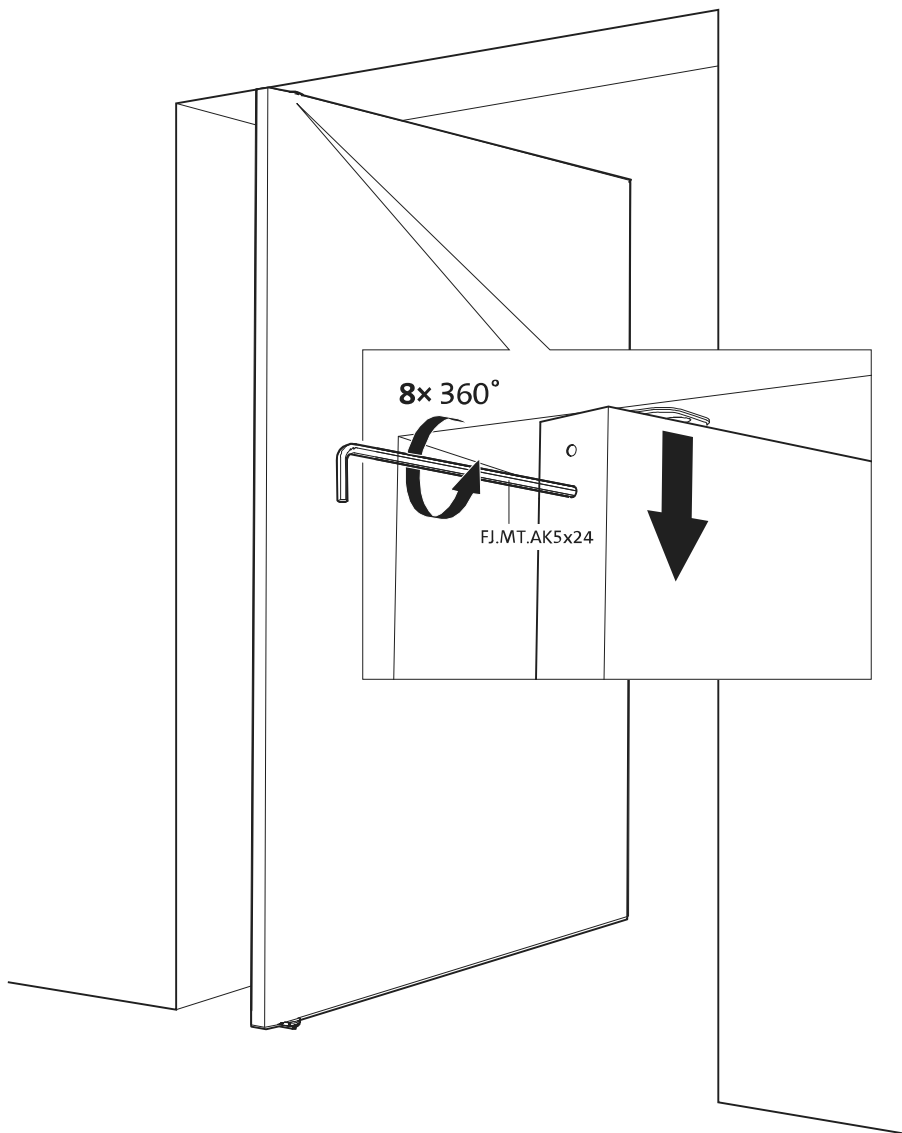


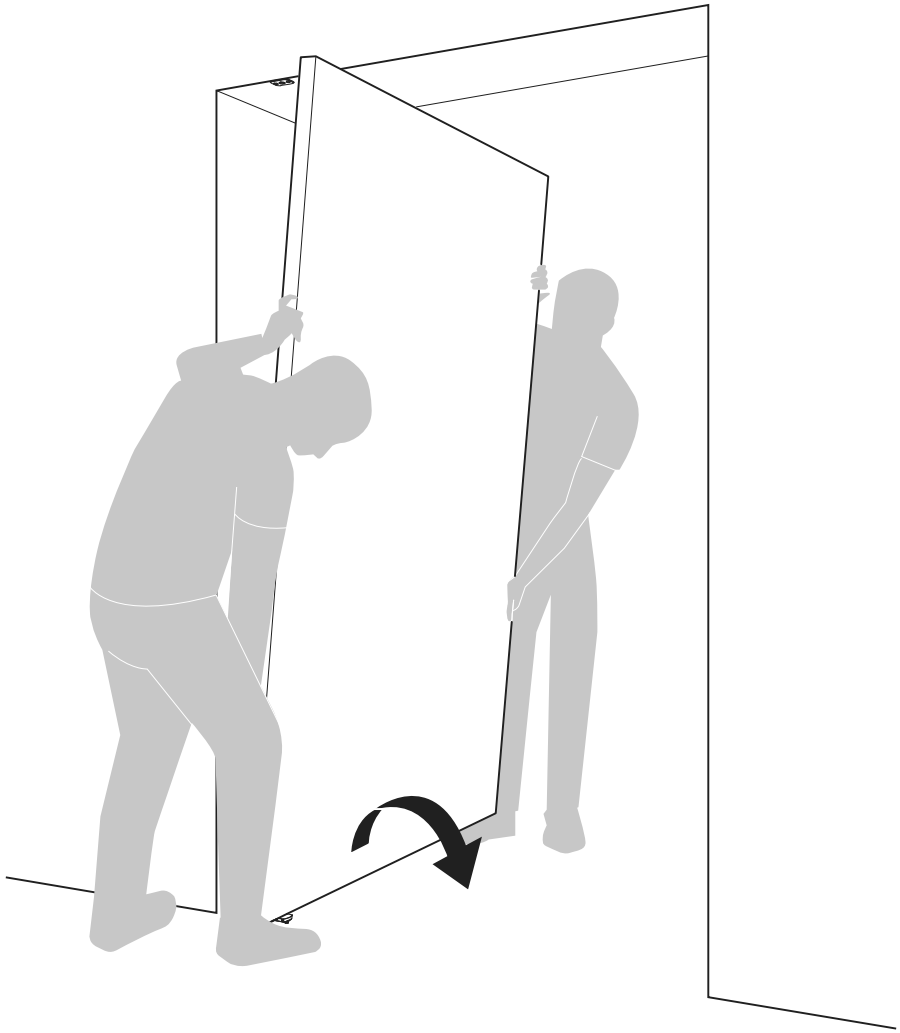




Demontageanleitung







FritsJurgens International

A. Einsteinlaan 1
Die Niederlande
9615 TE Kolham
+31 598 343 410
info@fritsjurgens.com

FritsJurgens Dubai Branch

DLC-OP-A2-4-0029
Dubai South
Dubai
Vereinigte Arabische Emirate
+971 4 820 8106
+971 58 137 2611
dubai@fritsjurgens.com
fritsjurgens.com

Copyright © FritsJurgens®
B.P.M.+40.G.X.SS



