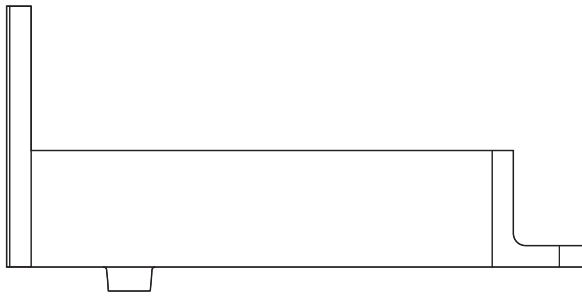


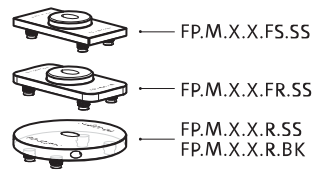
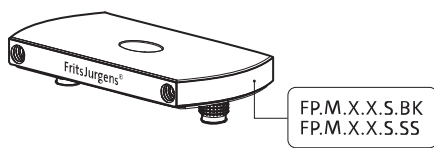
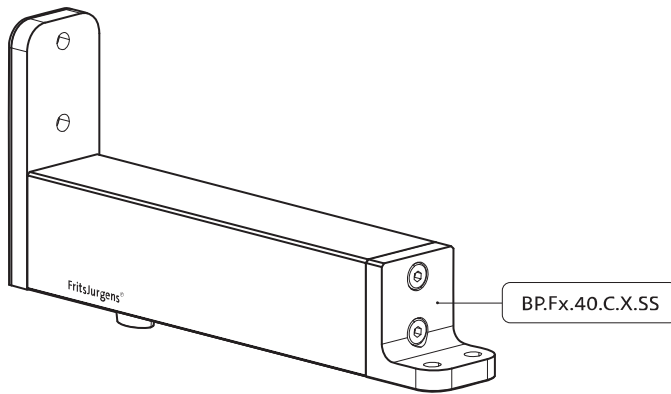
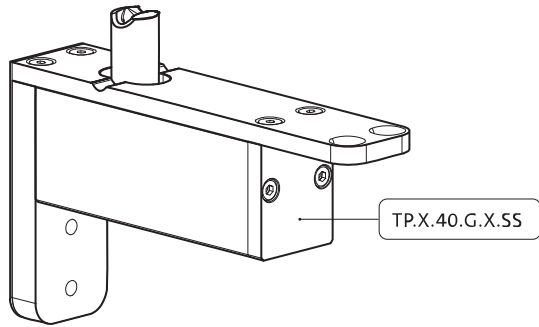
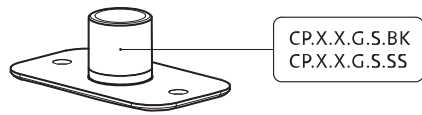
System Fx

Fräs- und Montageanleitung

FritsJurgens Set - 40 mm Klasse C - Edelstahl

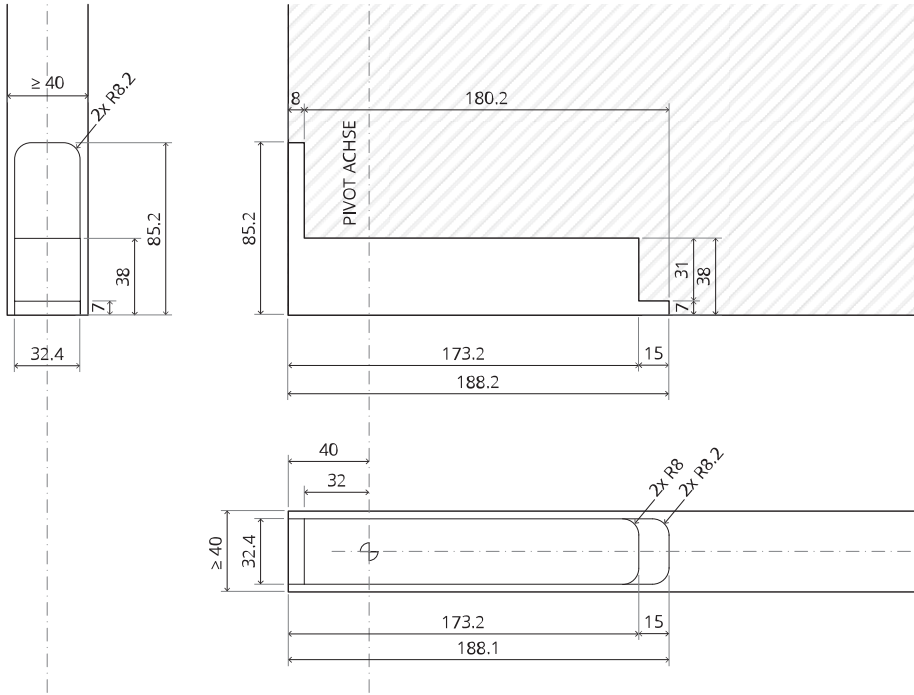


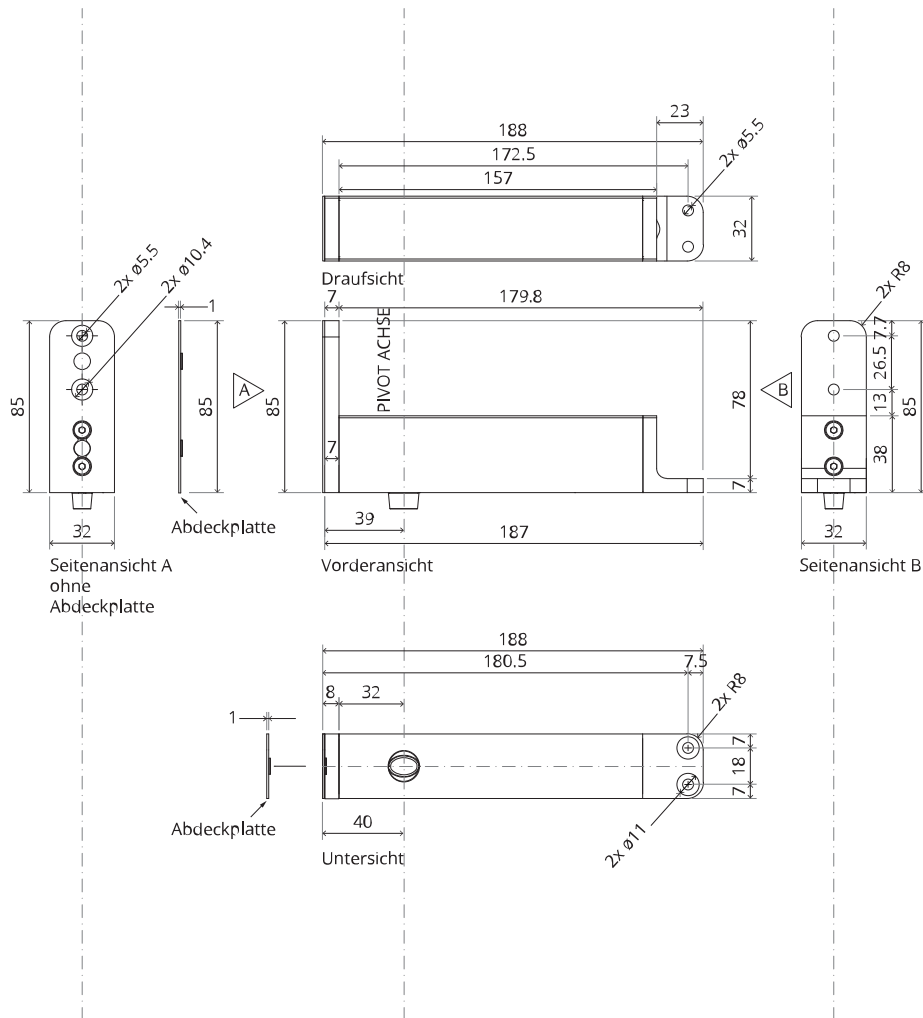
FritsJurgens®



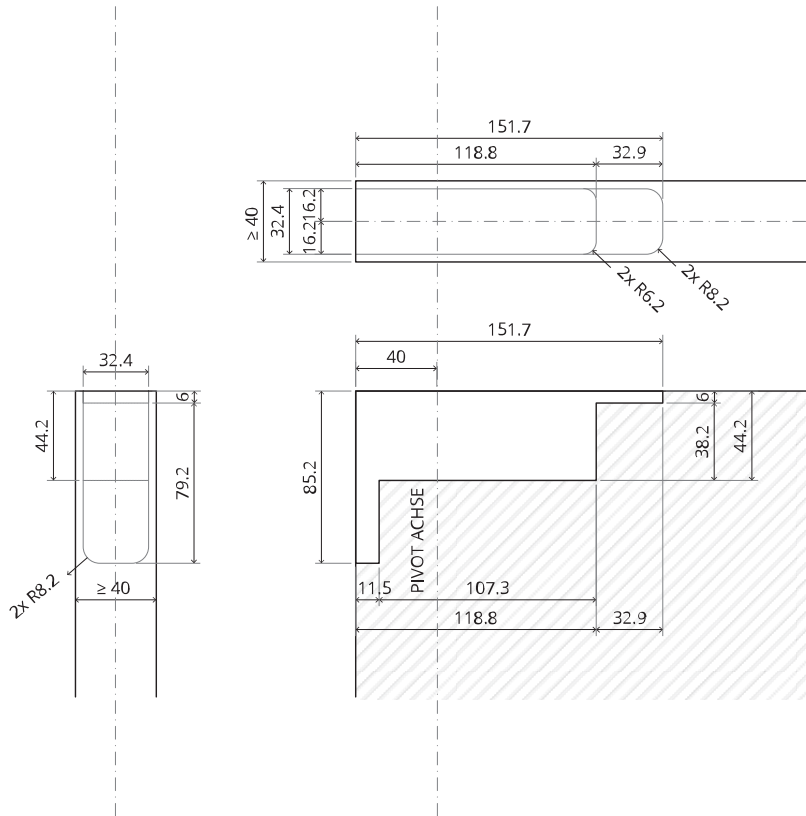
Fräsanleitung

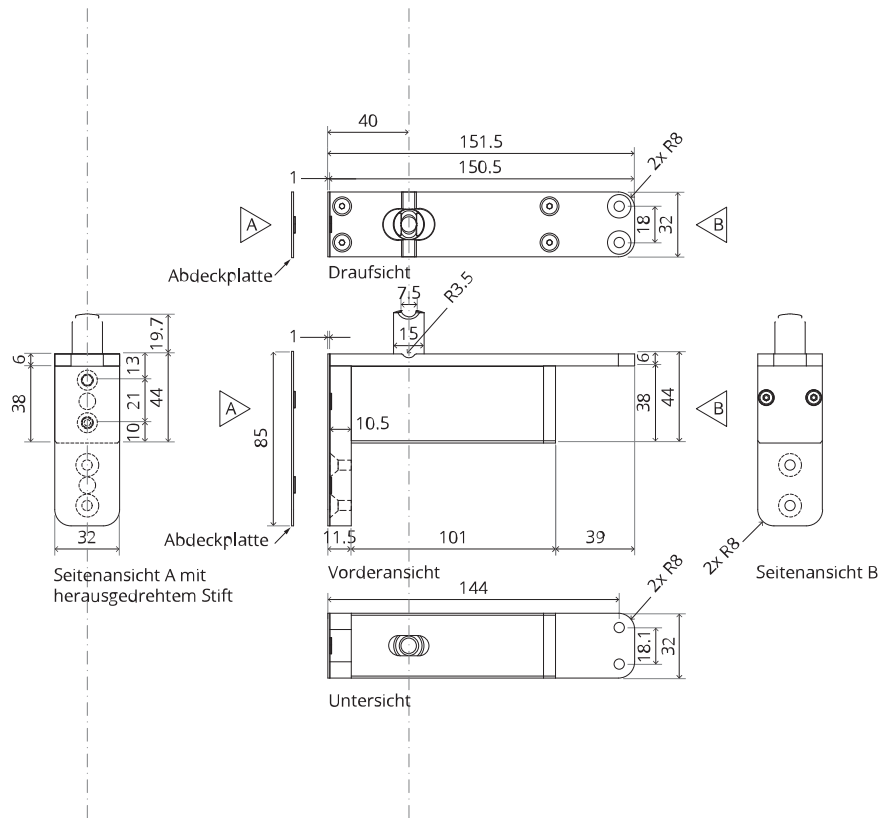
BP.Fx.40.C.X.SS



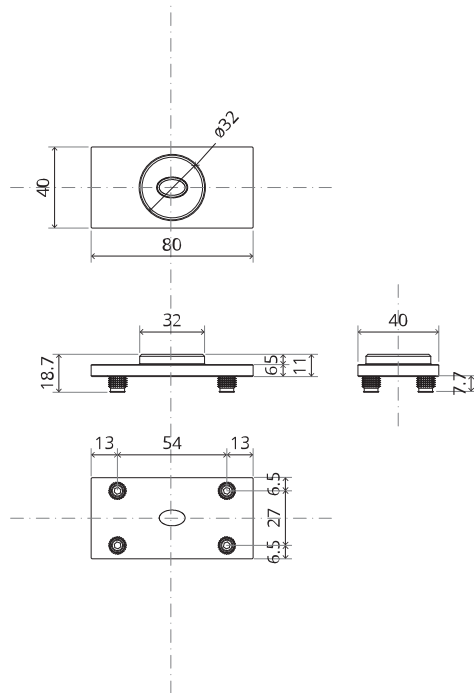
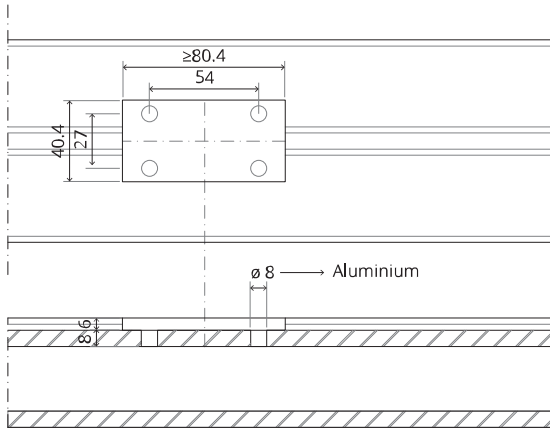


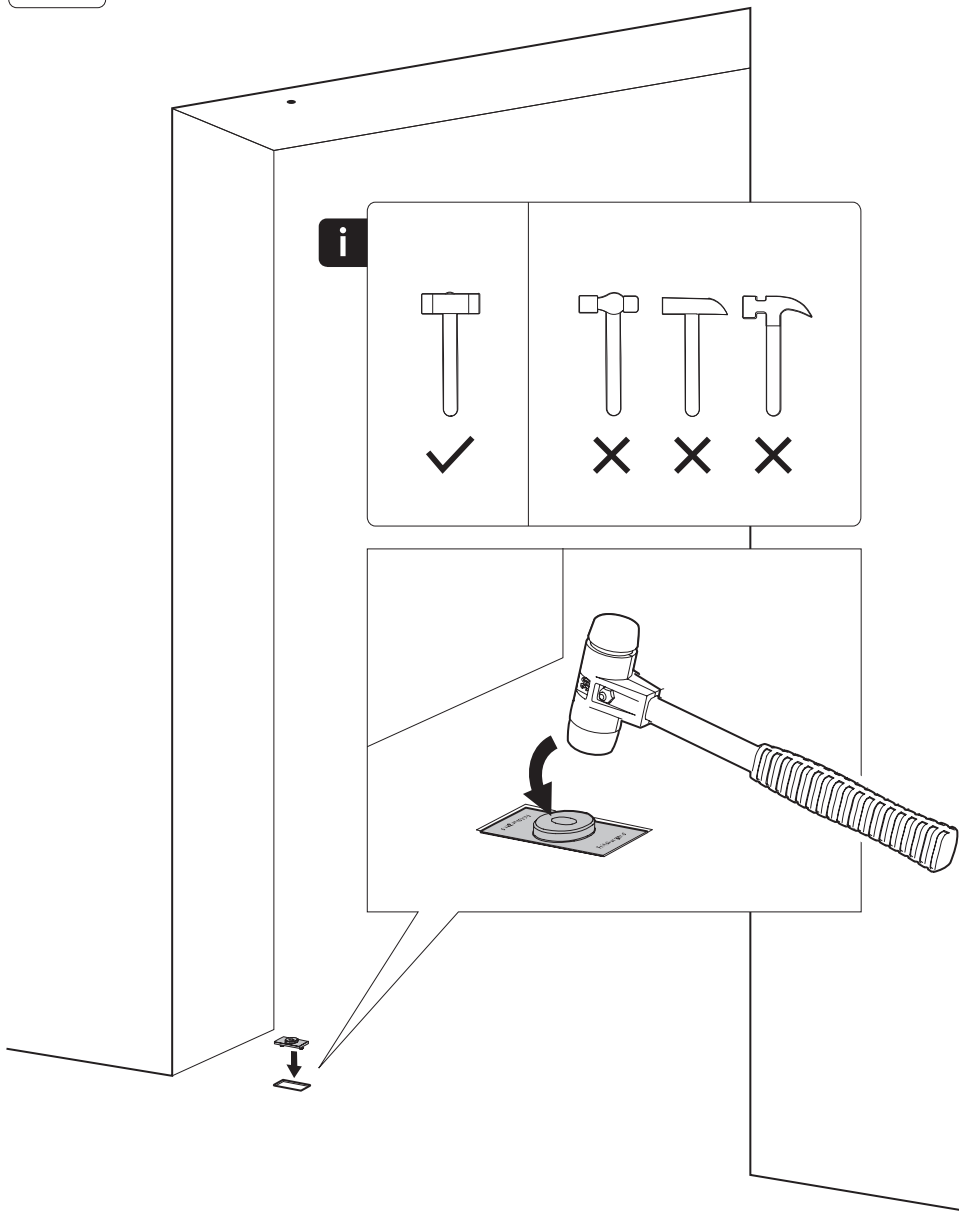
TP.X.40.G.X.SS



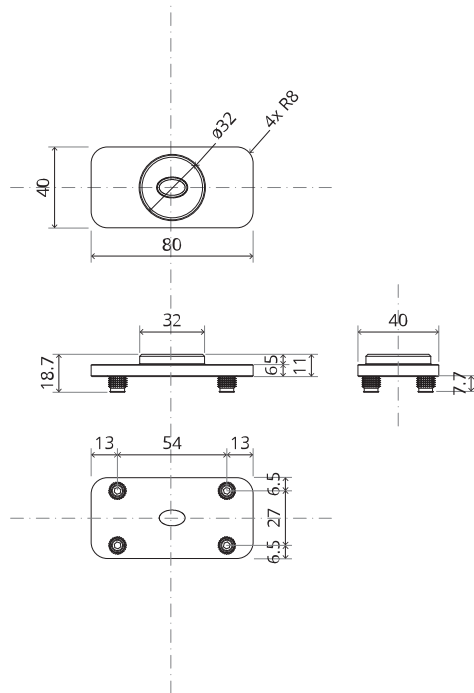
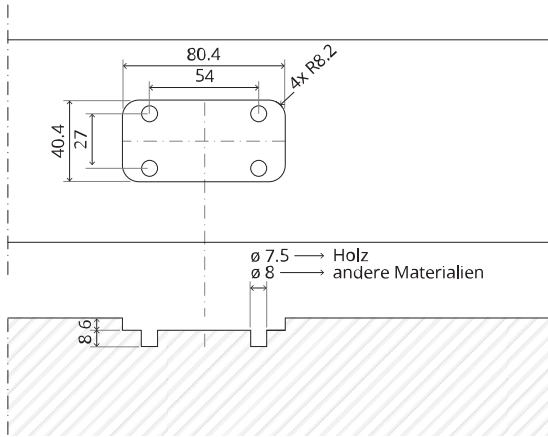


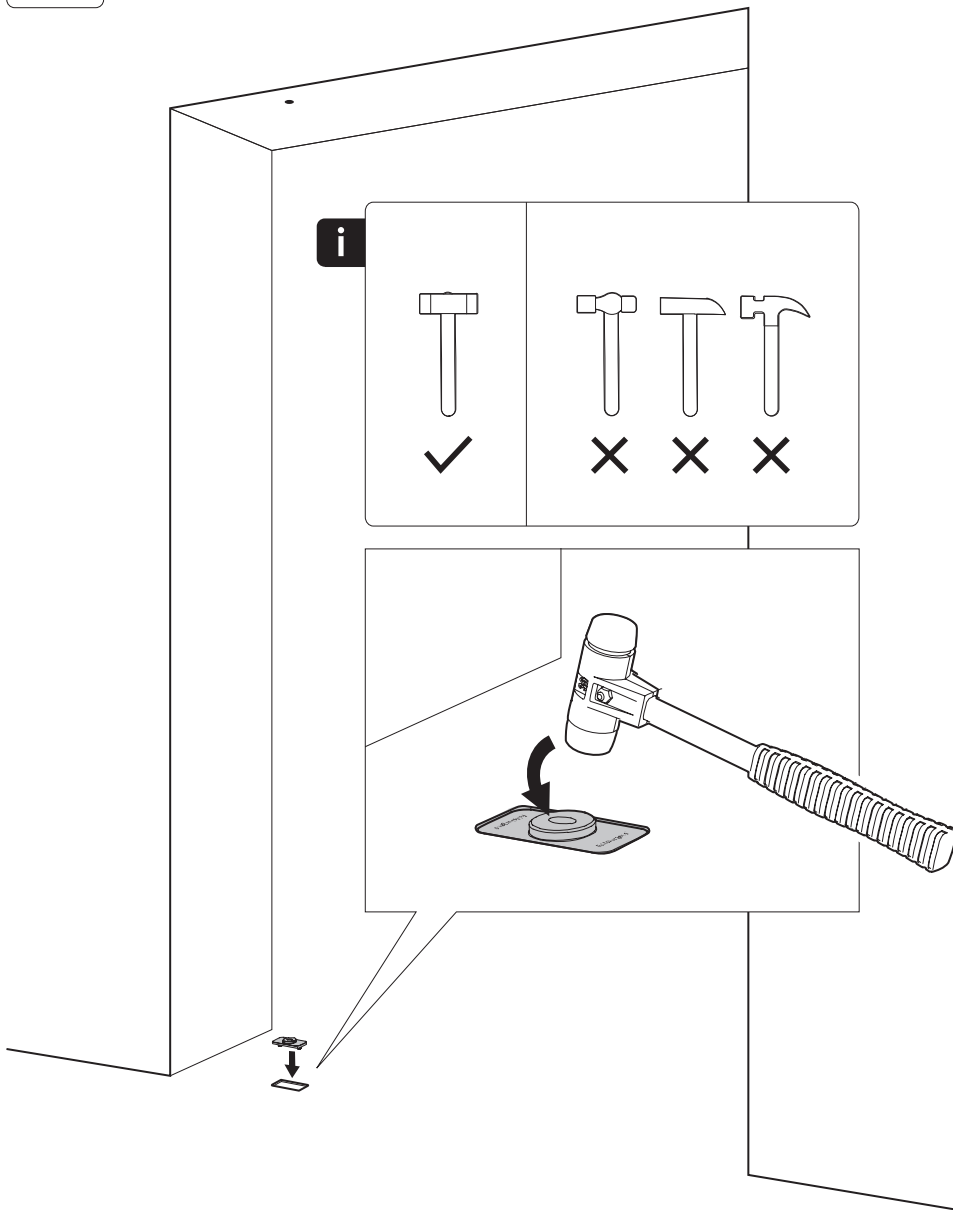
FP.M.X.X.FS.SS



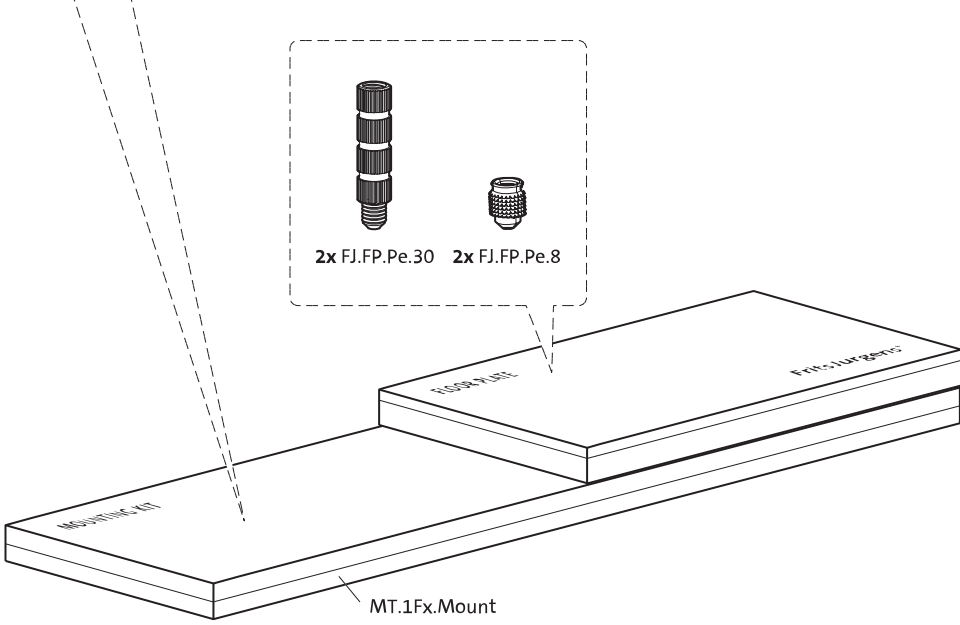
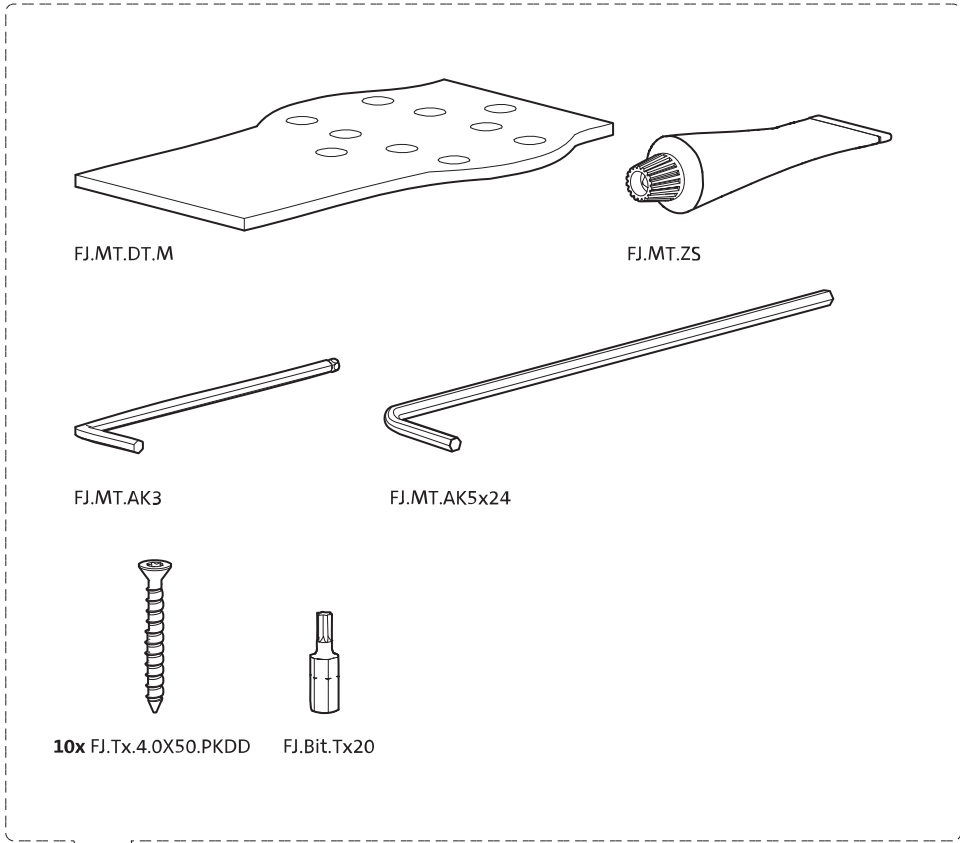


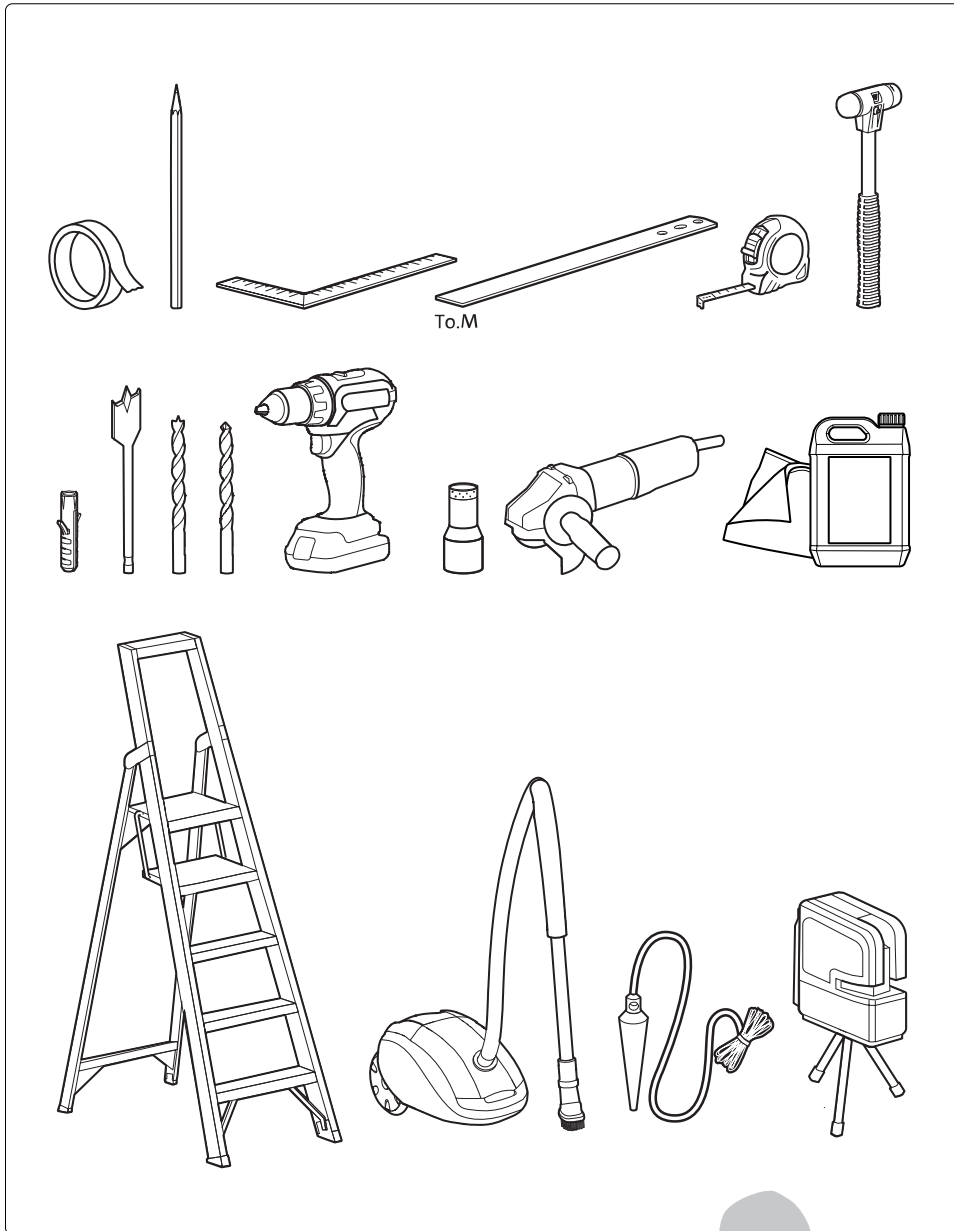
FP.M.X.X.FR.SS



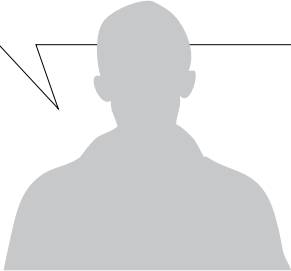


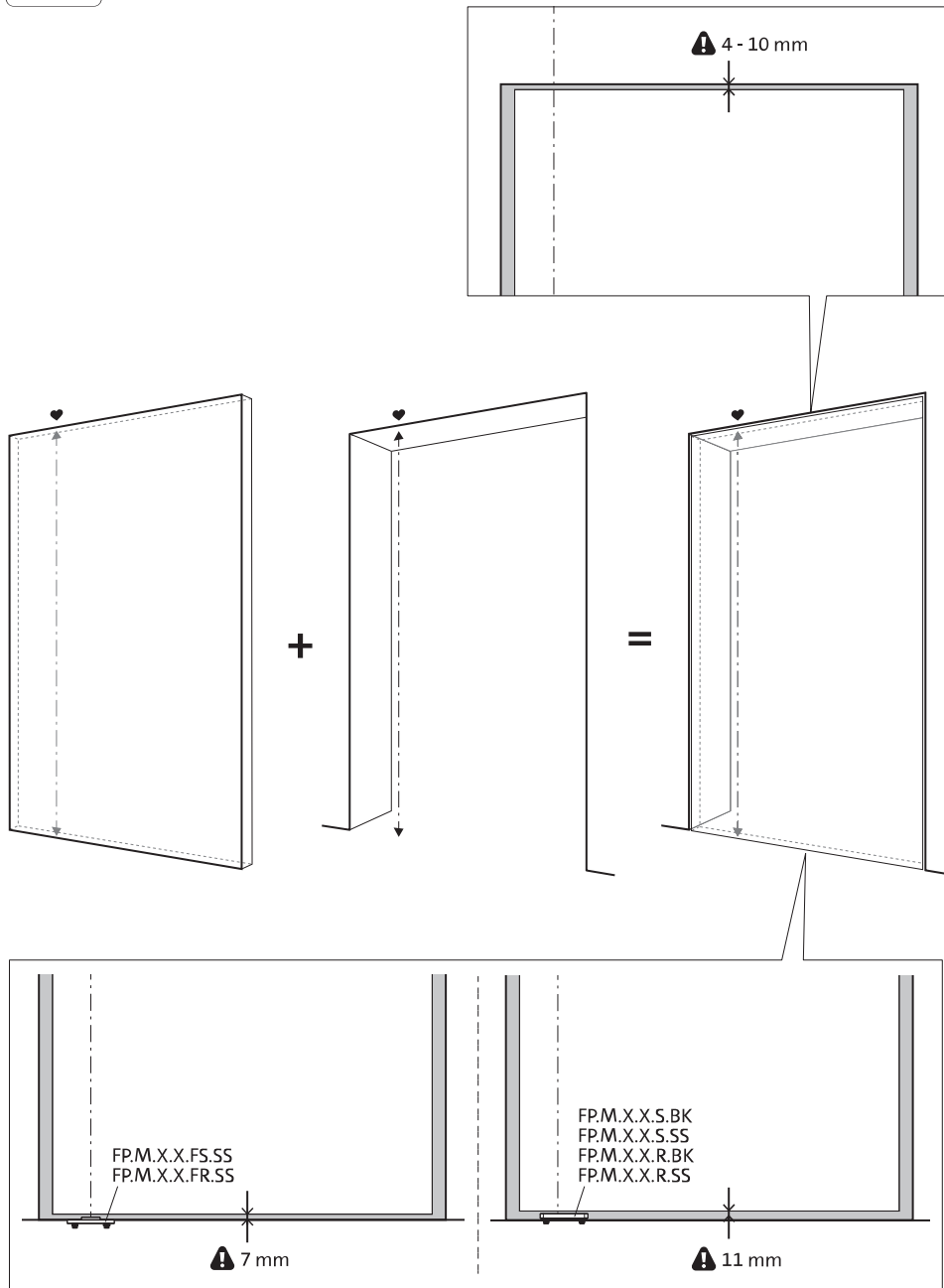
Montageanleitung

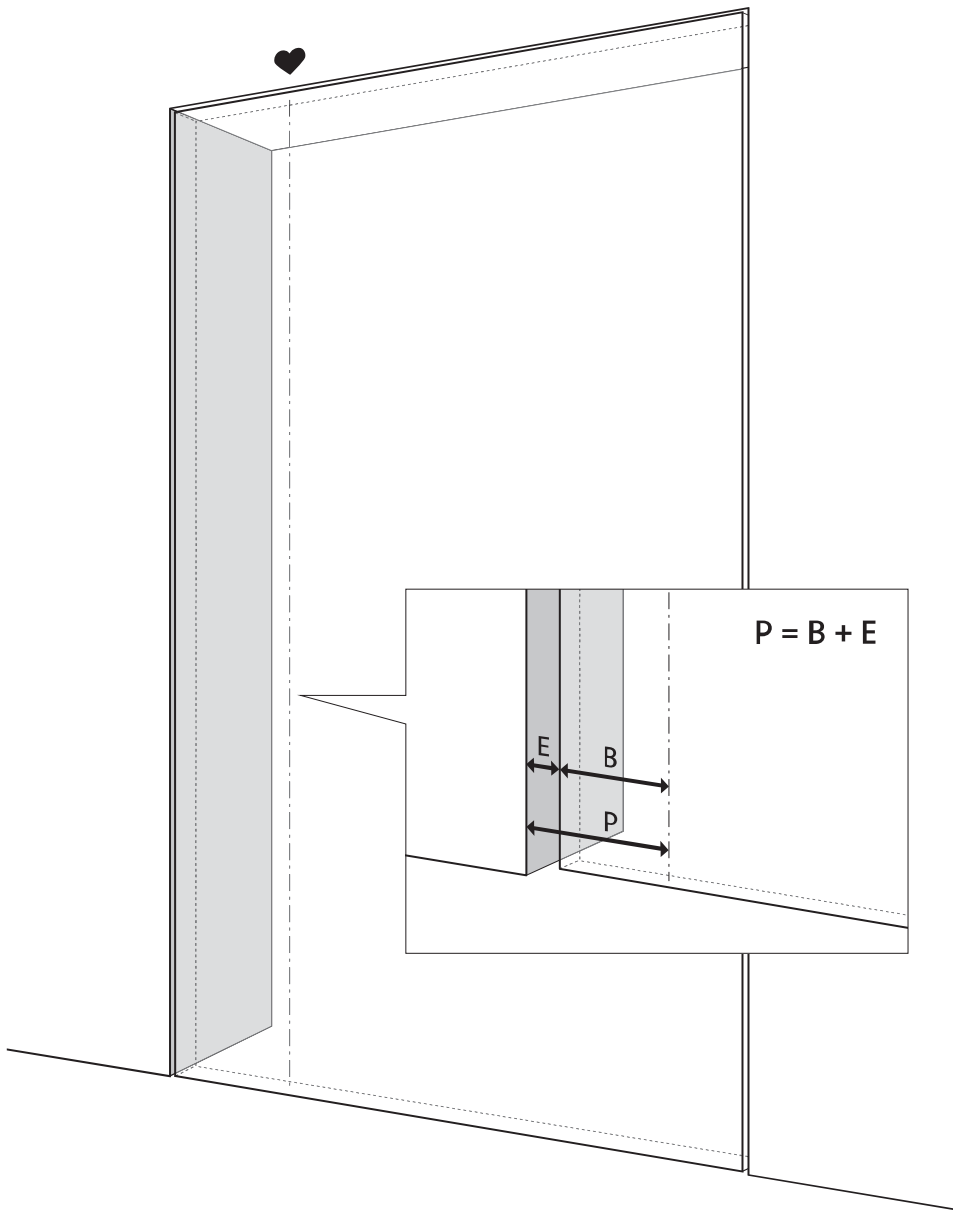


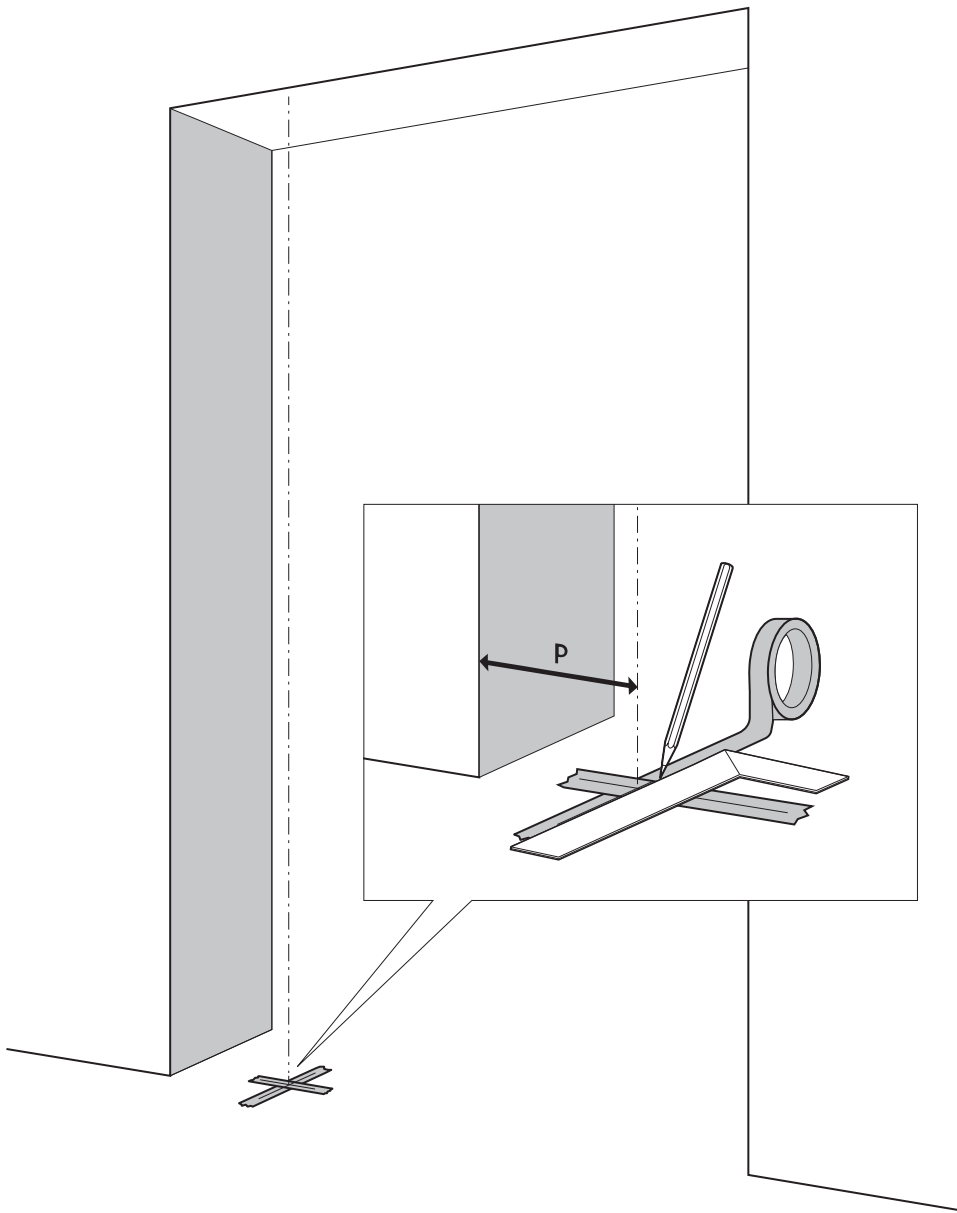


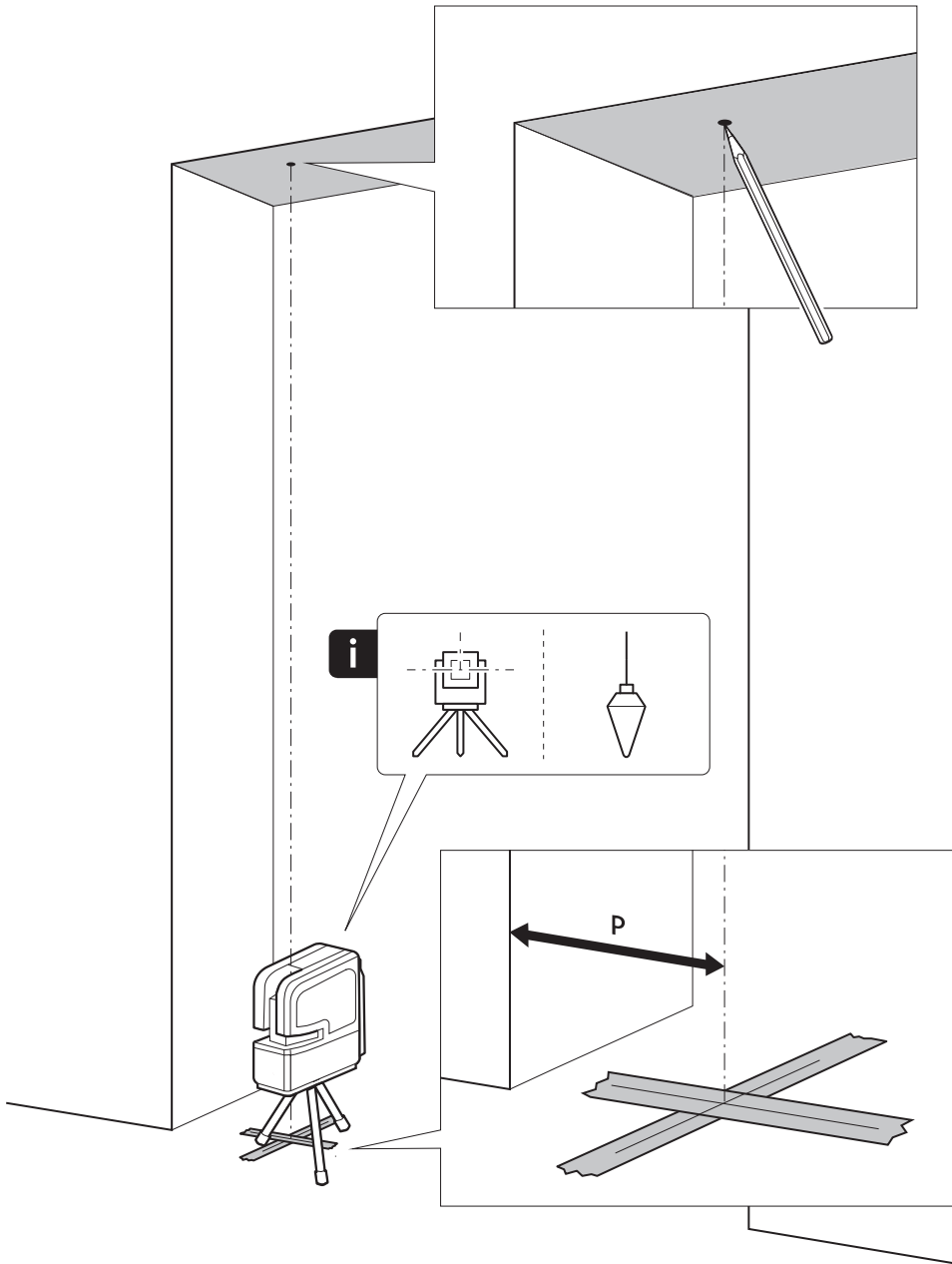
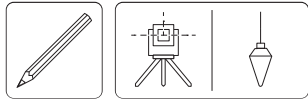
To.M

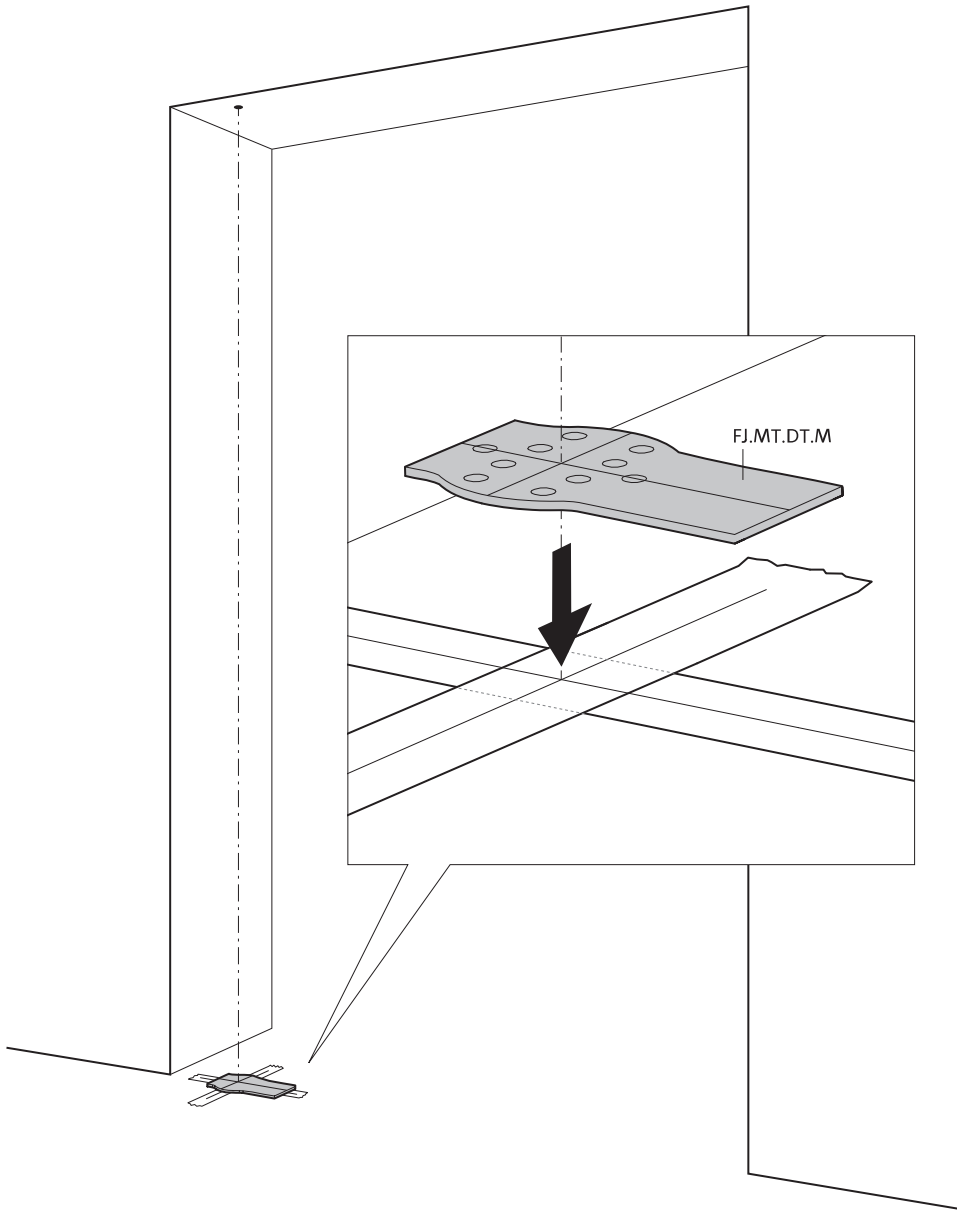


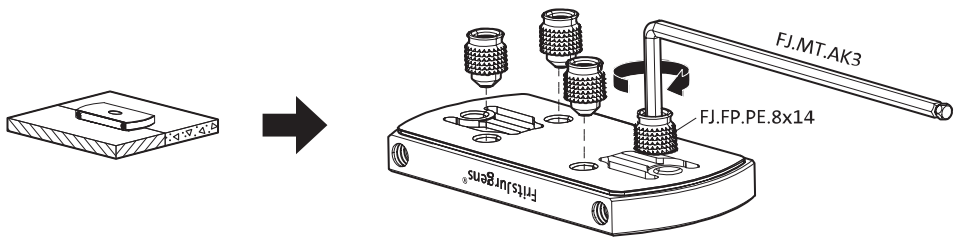
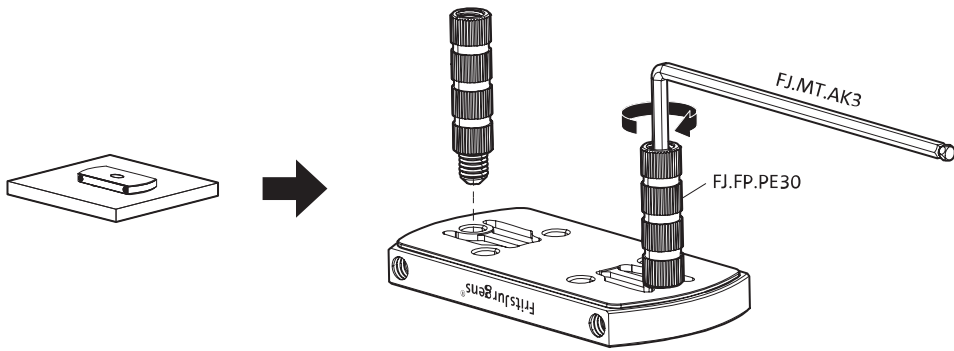
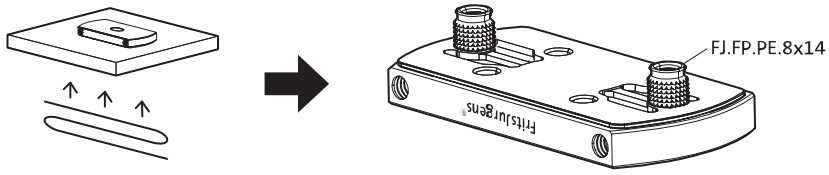


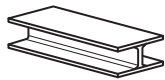




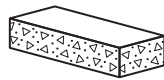




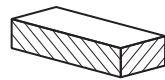




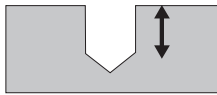
ø8 mm (5/16")



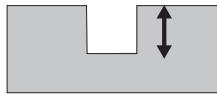
ø8 mm (5/16")



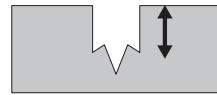
ø7.5 mm (19/64")



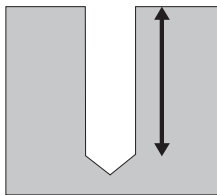
8 mm (5/16")



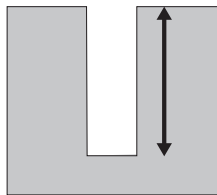
8 mm (5/16")



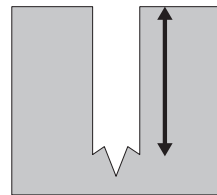
8 mm (5/16")



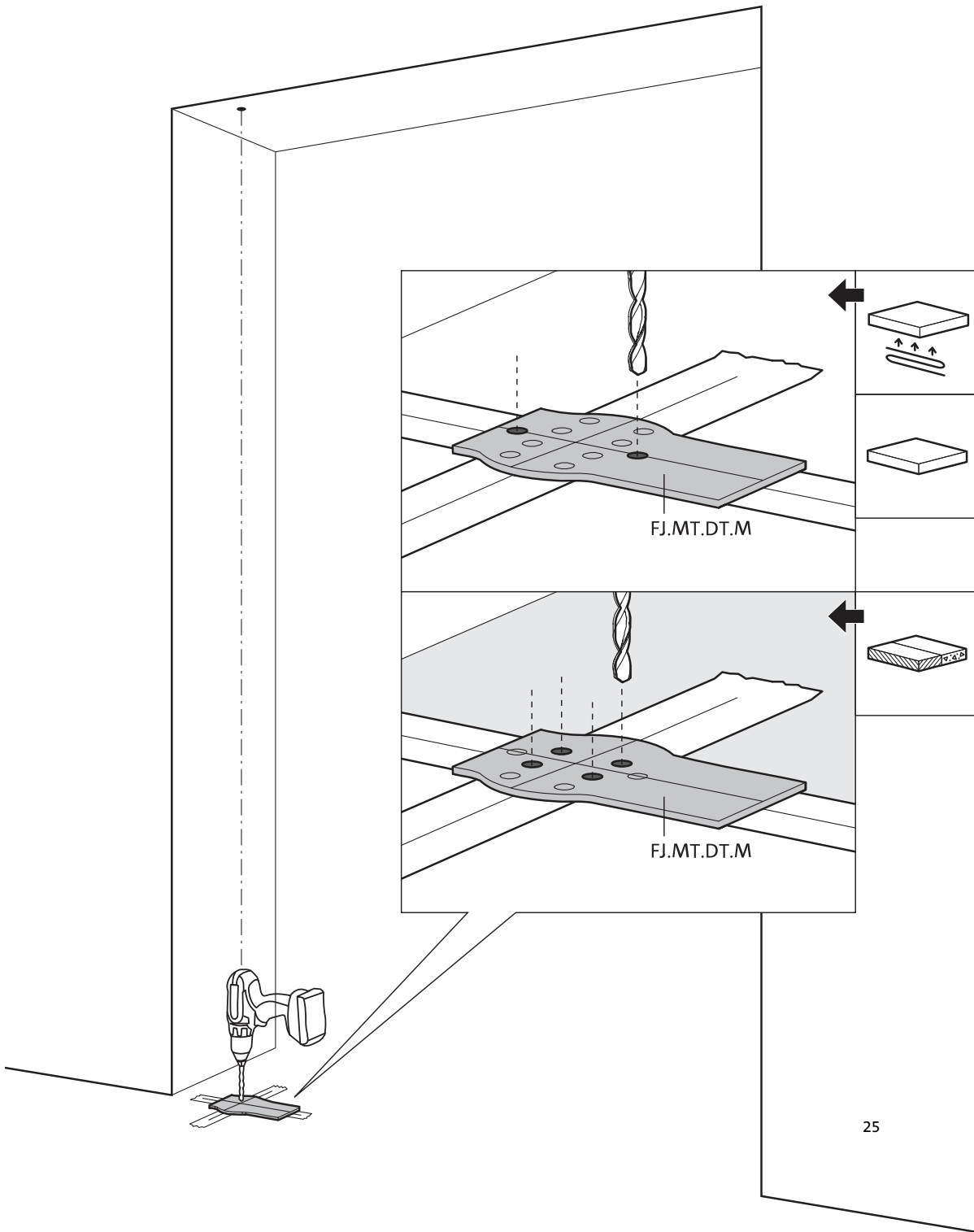
30 mm (13/16")

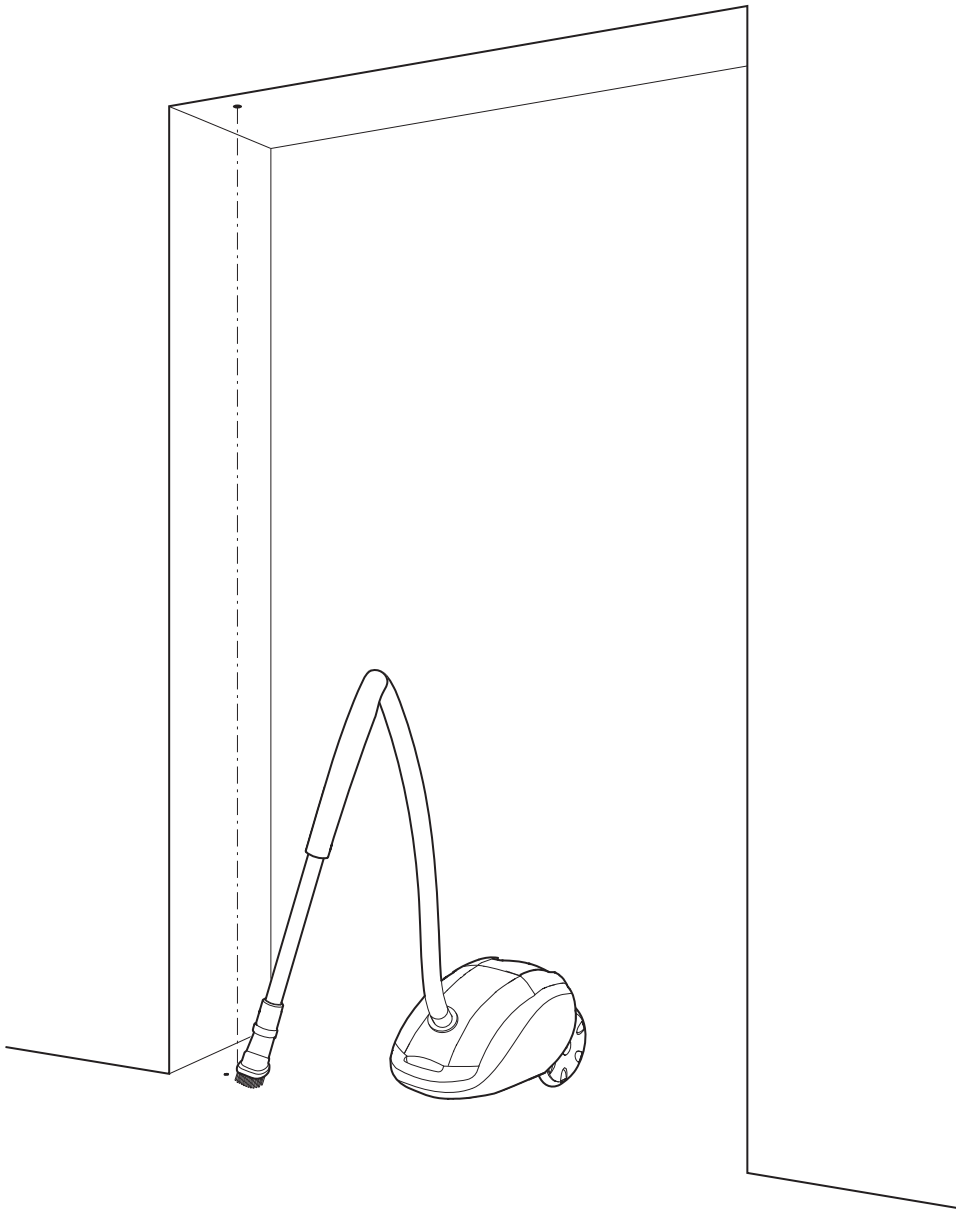


30 mm (13/16")



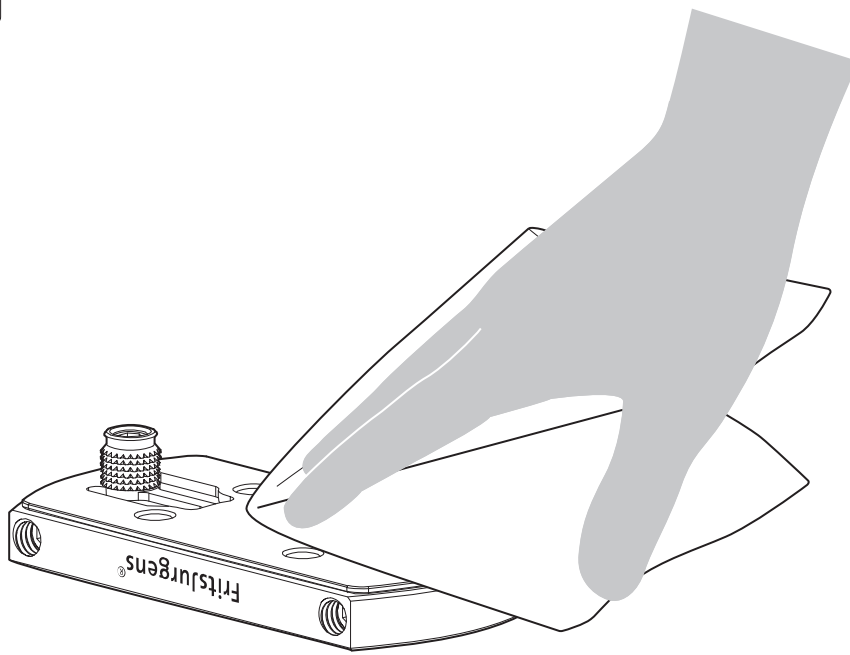
30 mm (13/16")



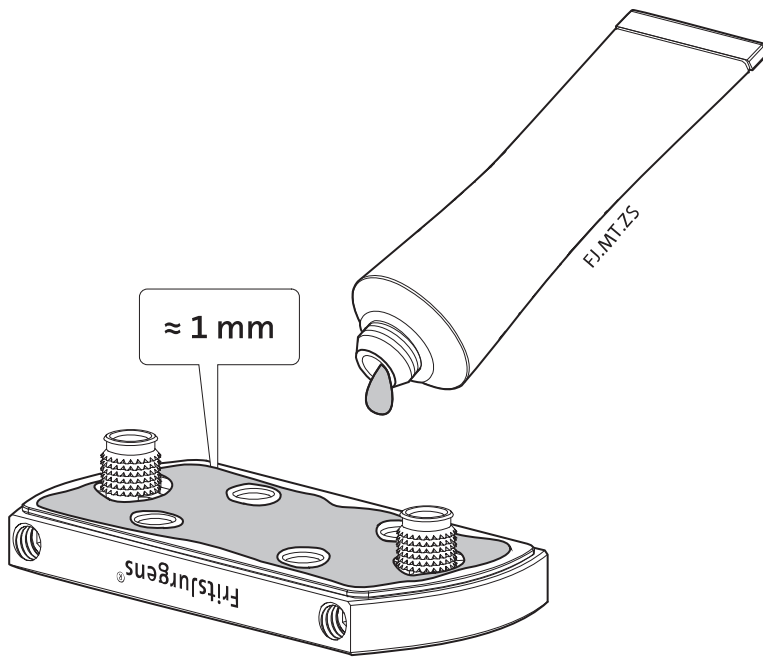


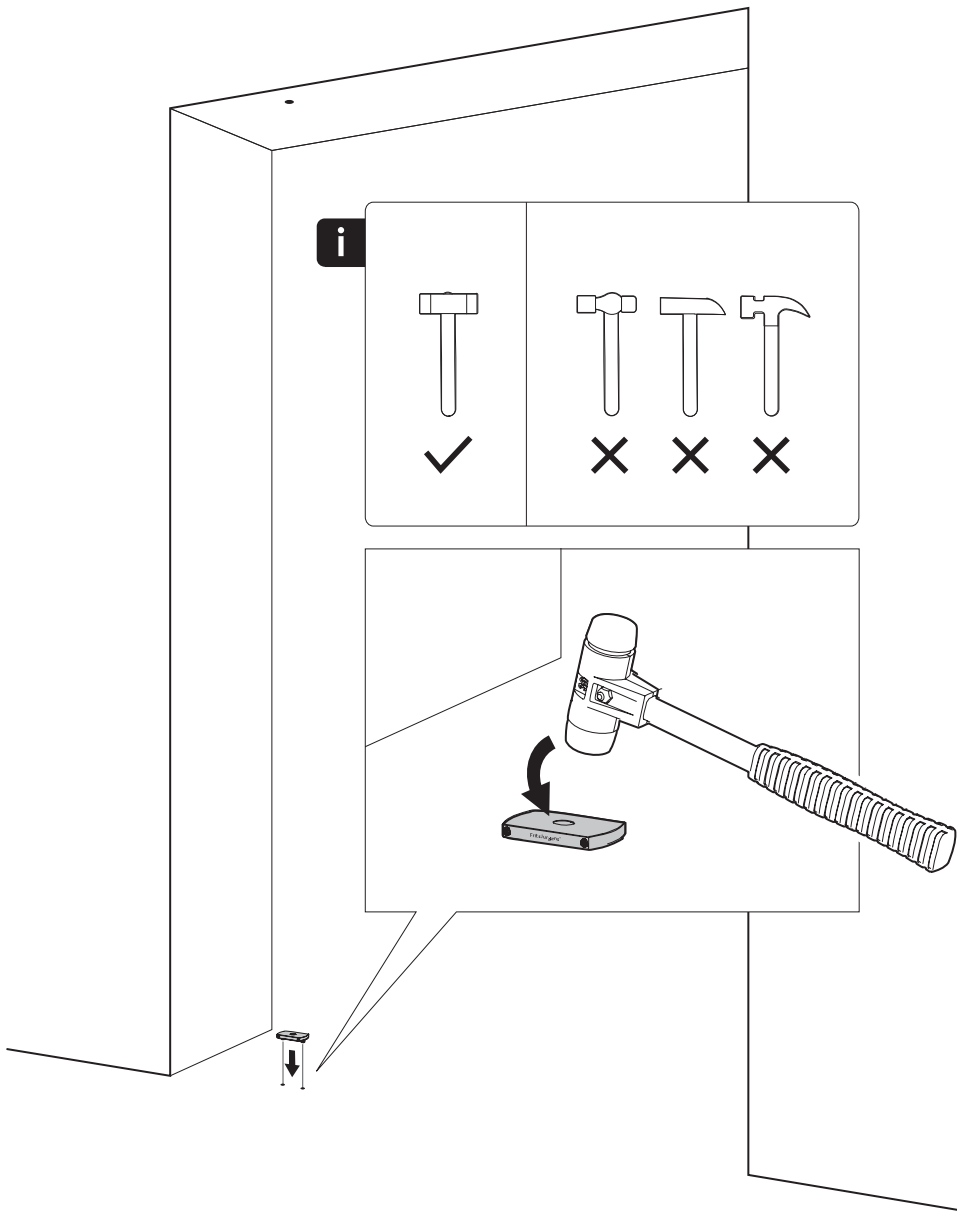
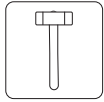


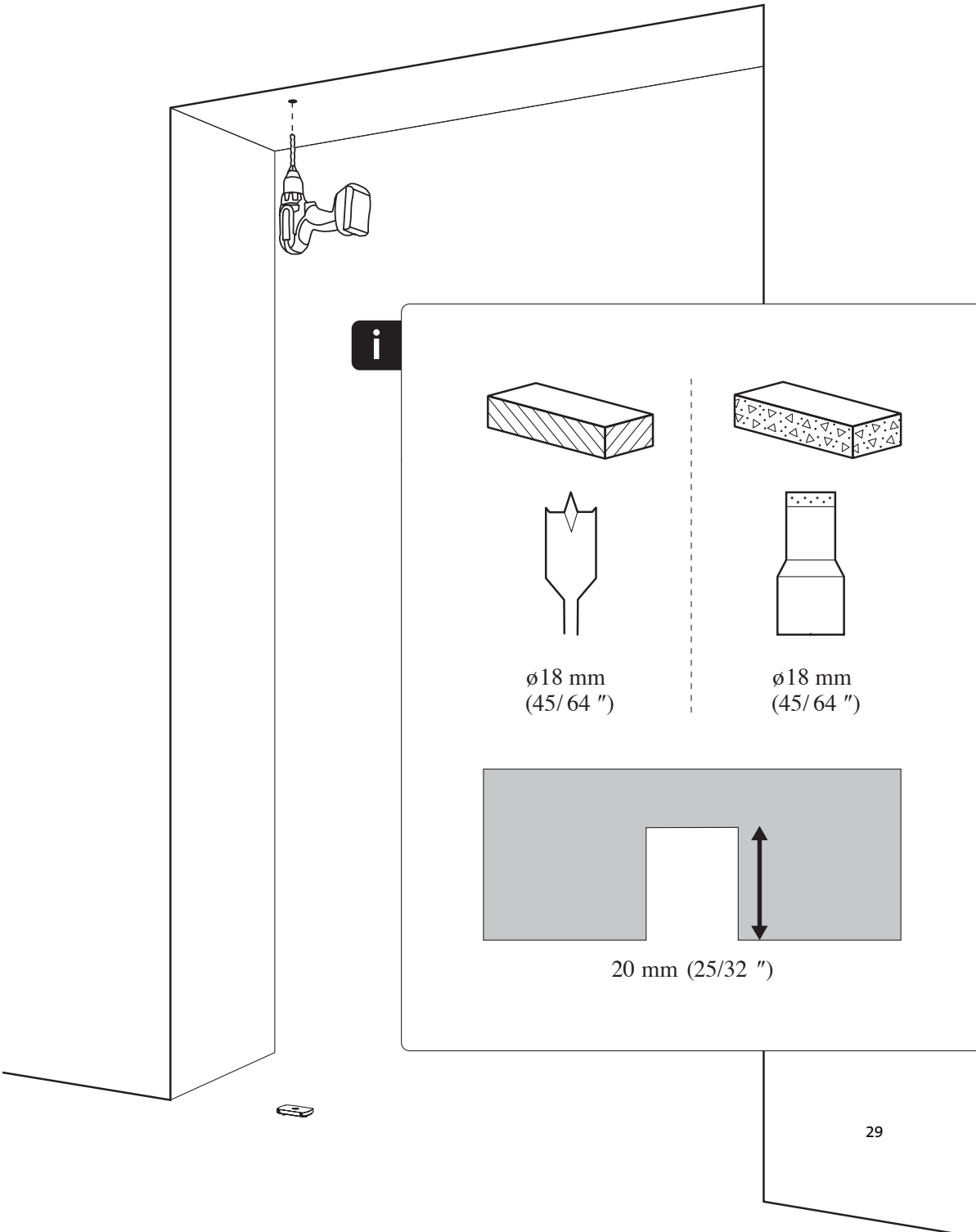
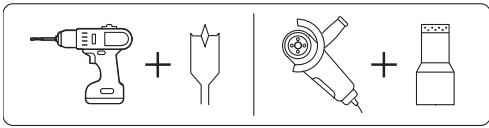
1



2

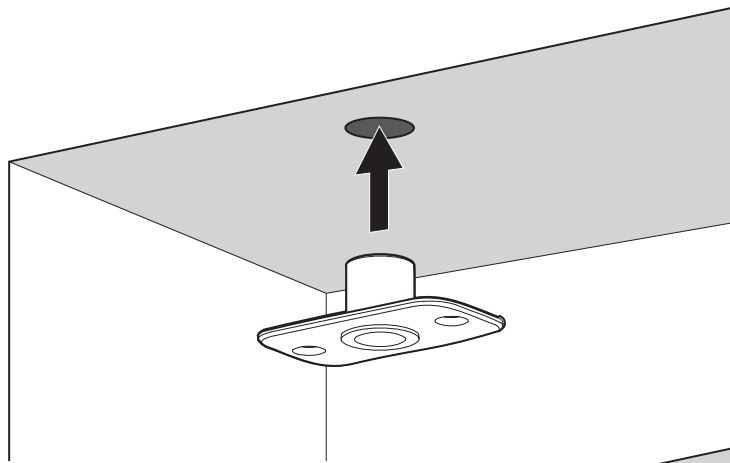




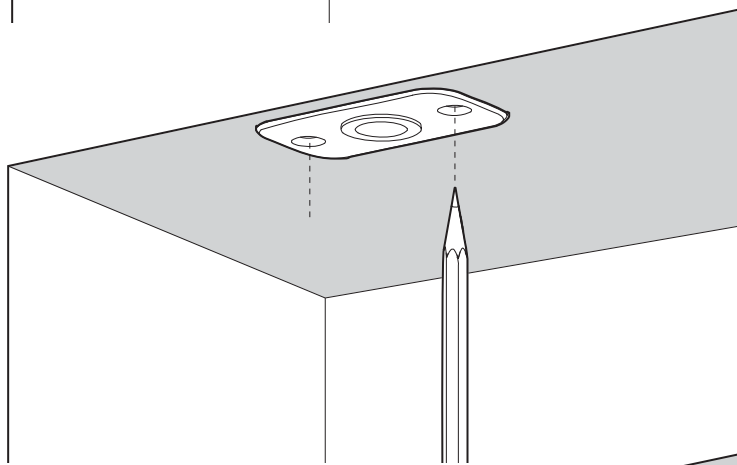




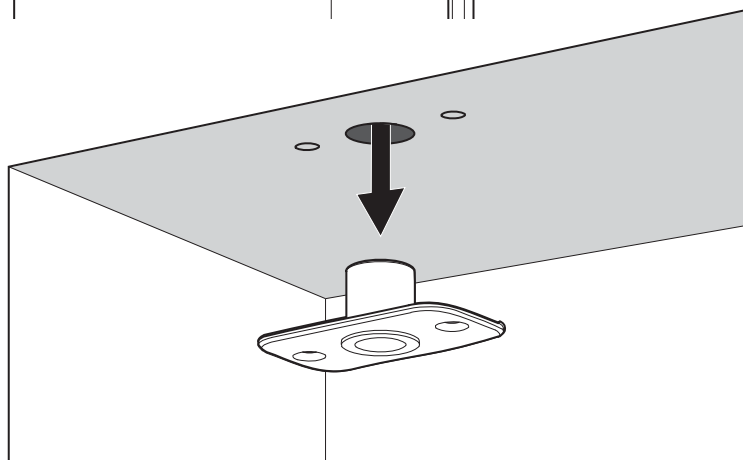
1



2

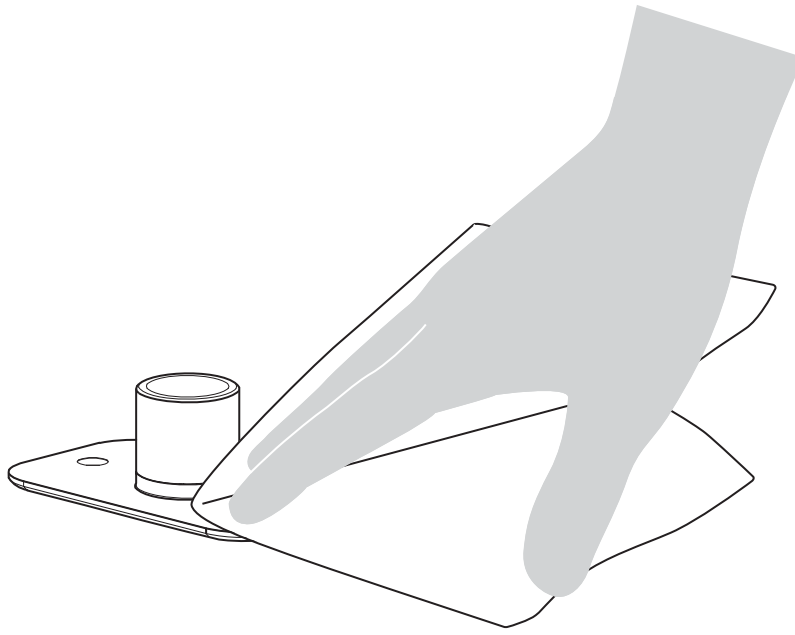


3

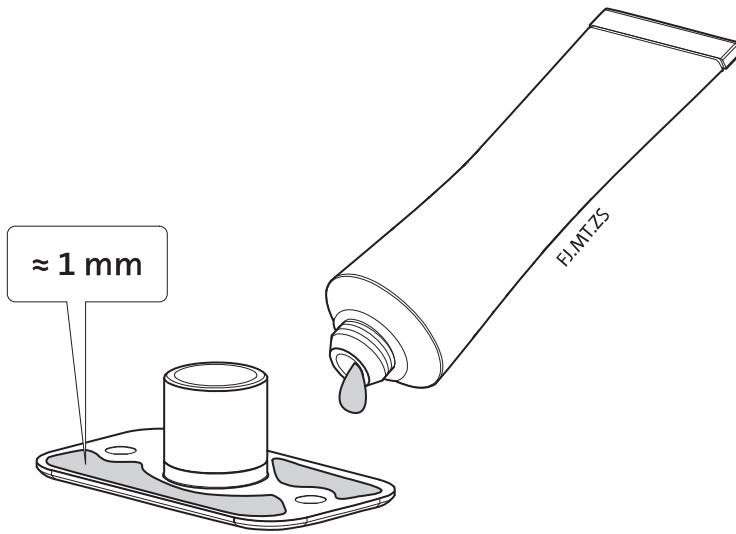


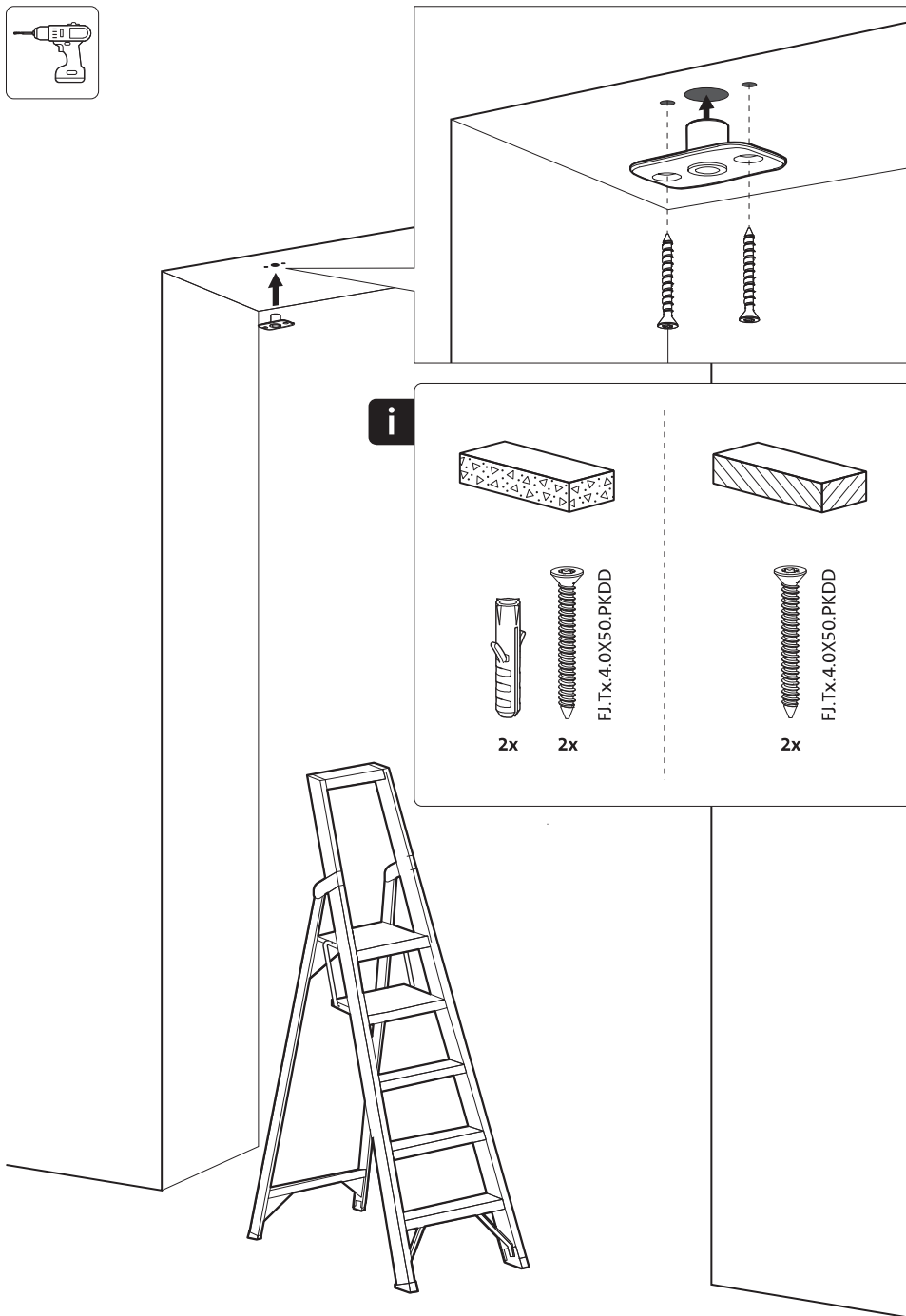


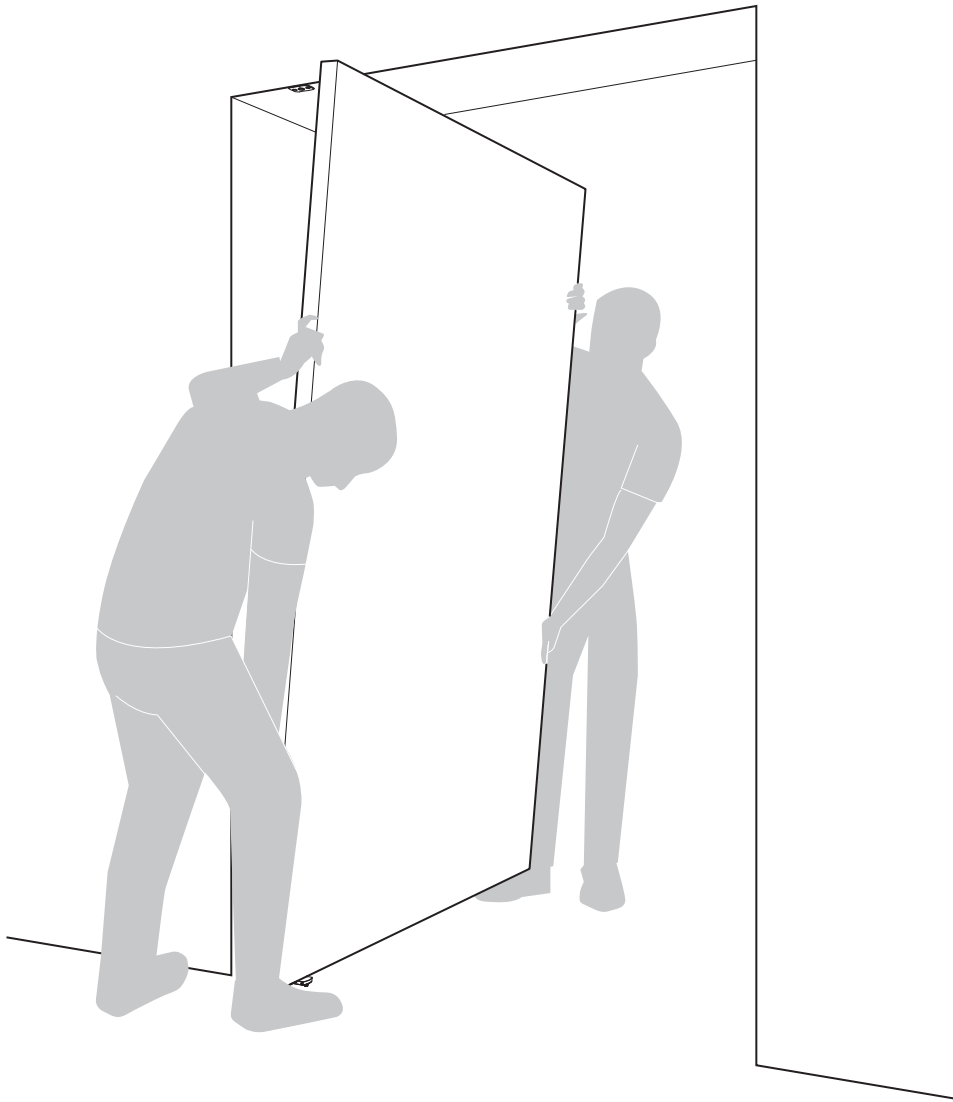
1

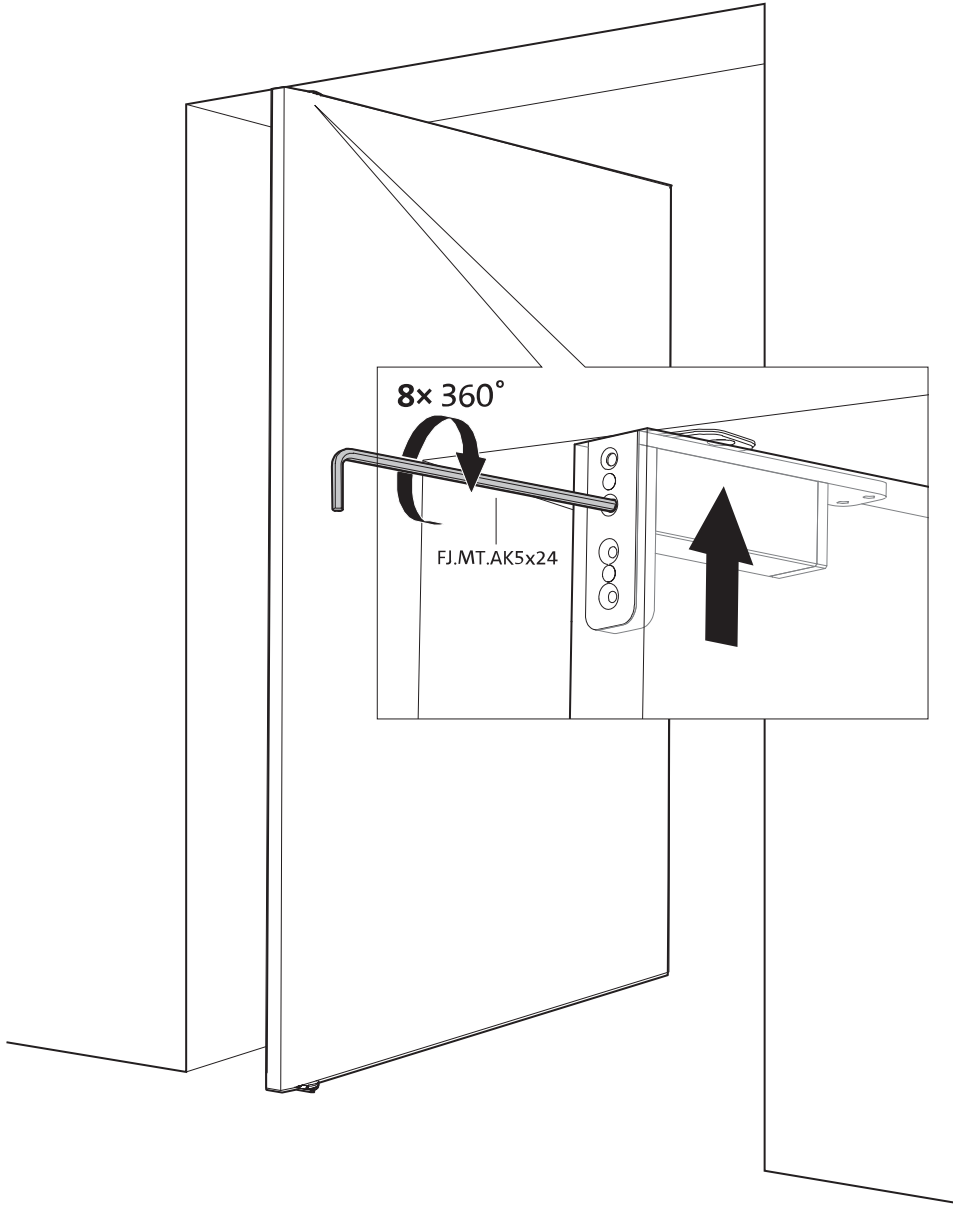
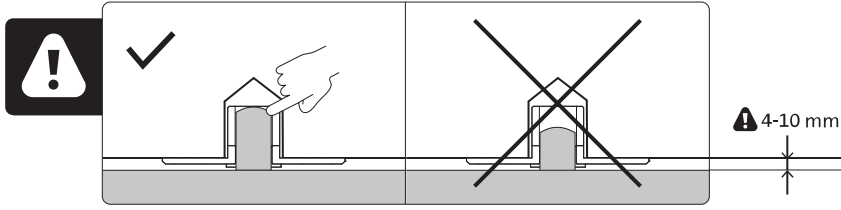


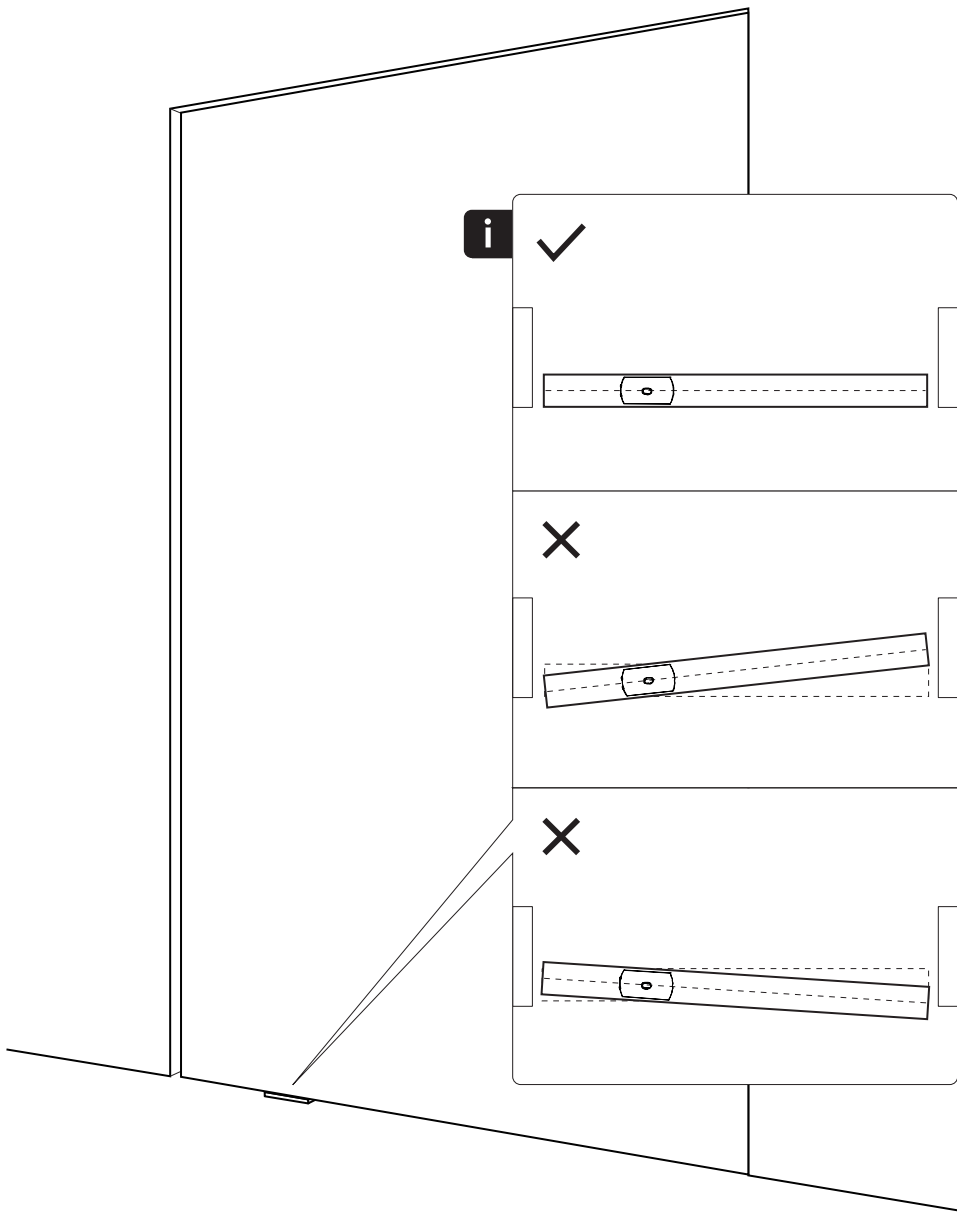
2

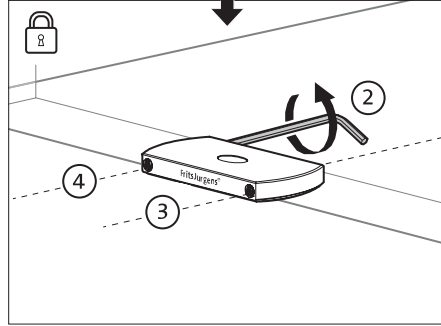
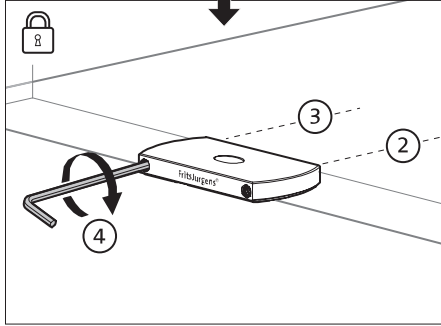
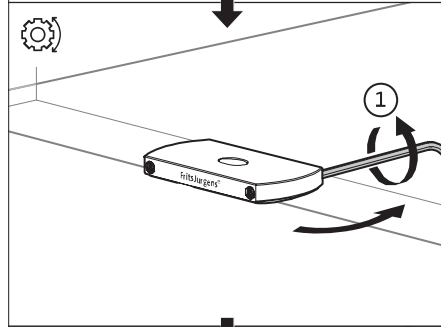
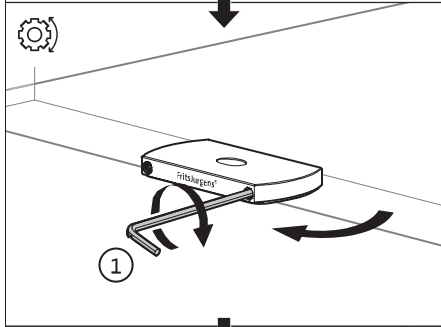
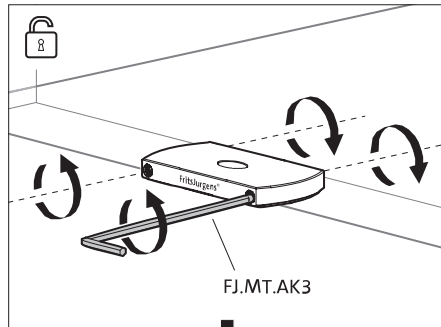
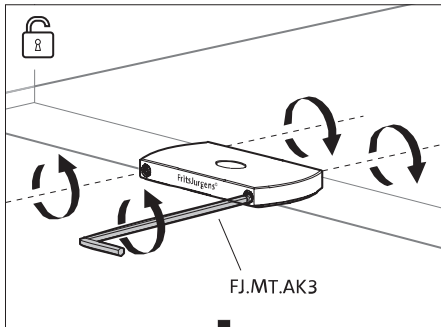
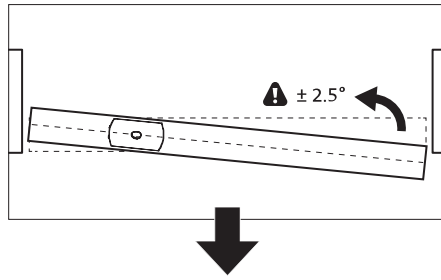
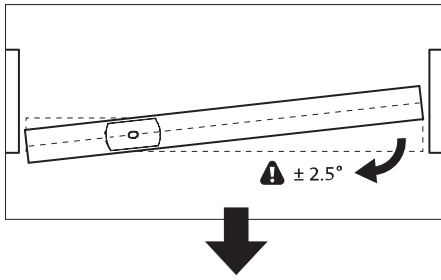


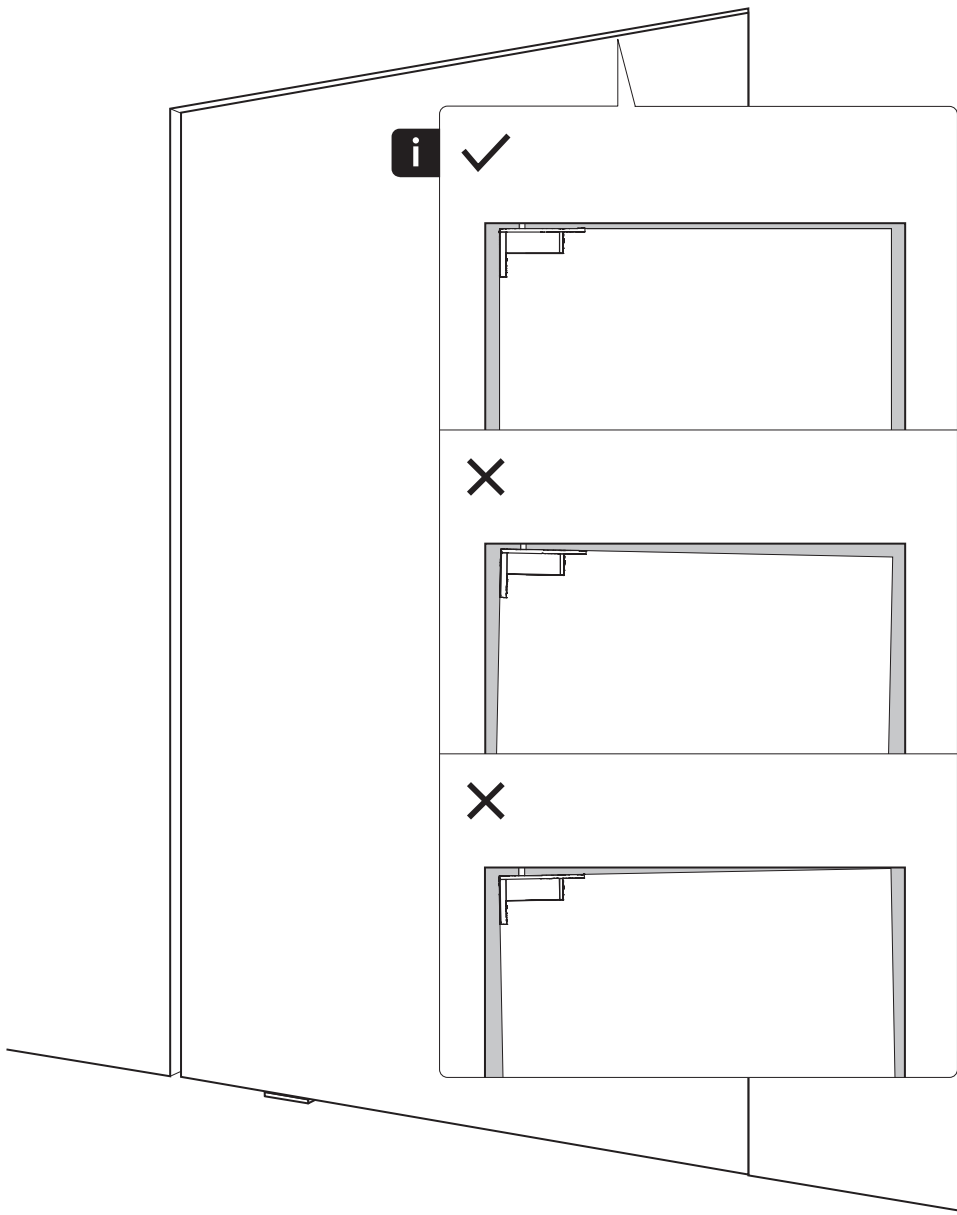


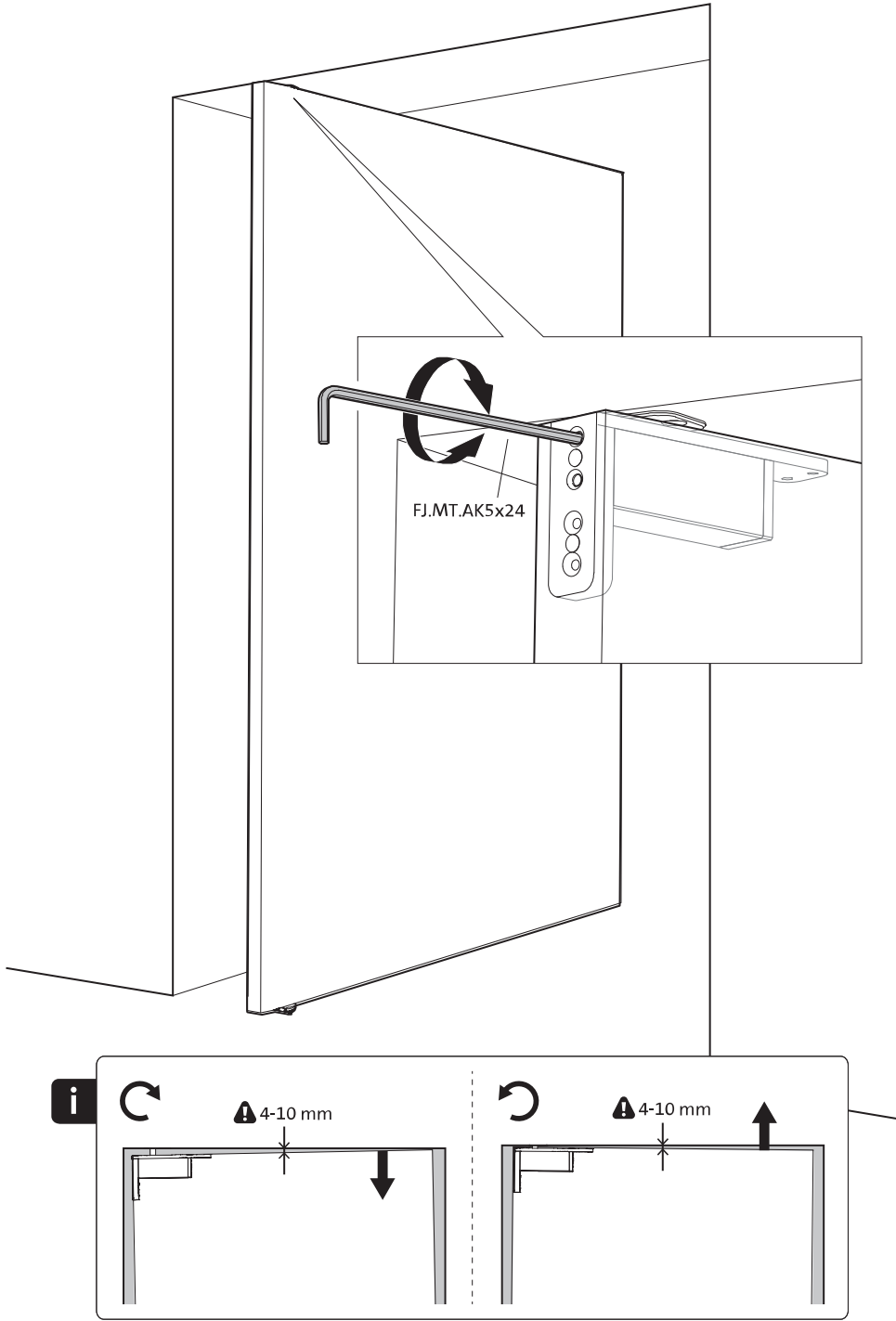




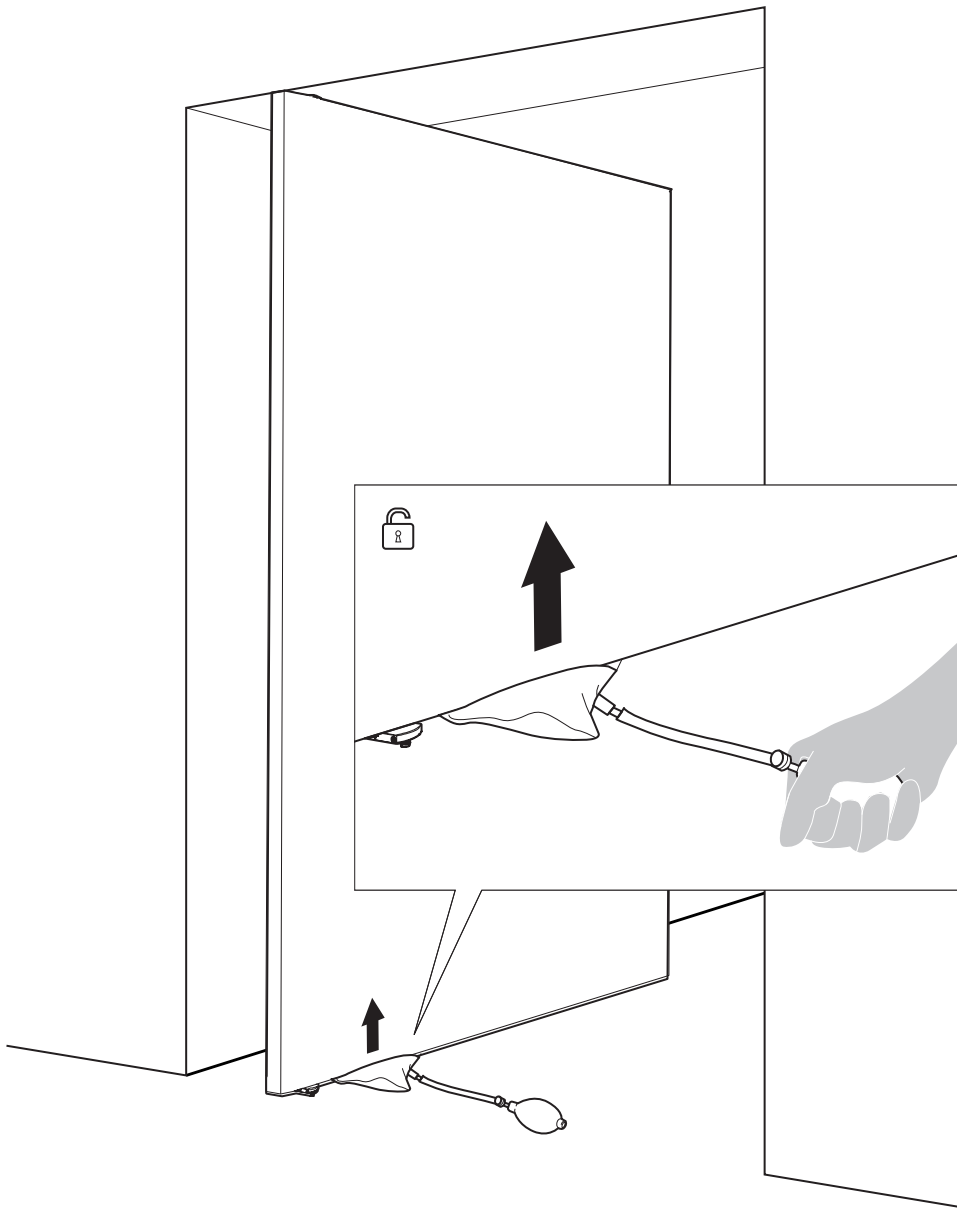


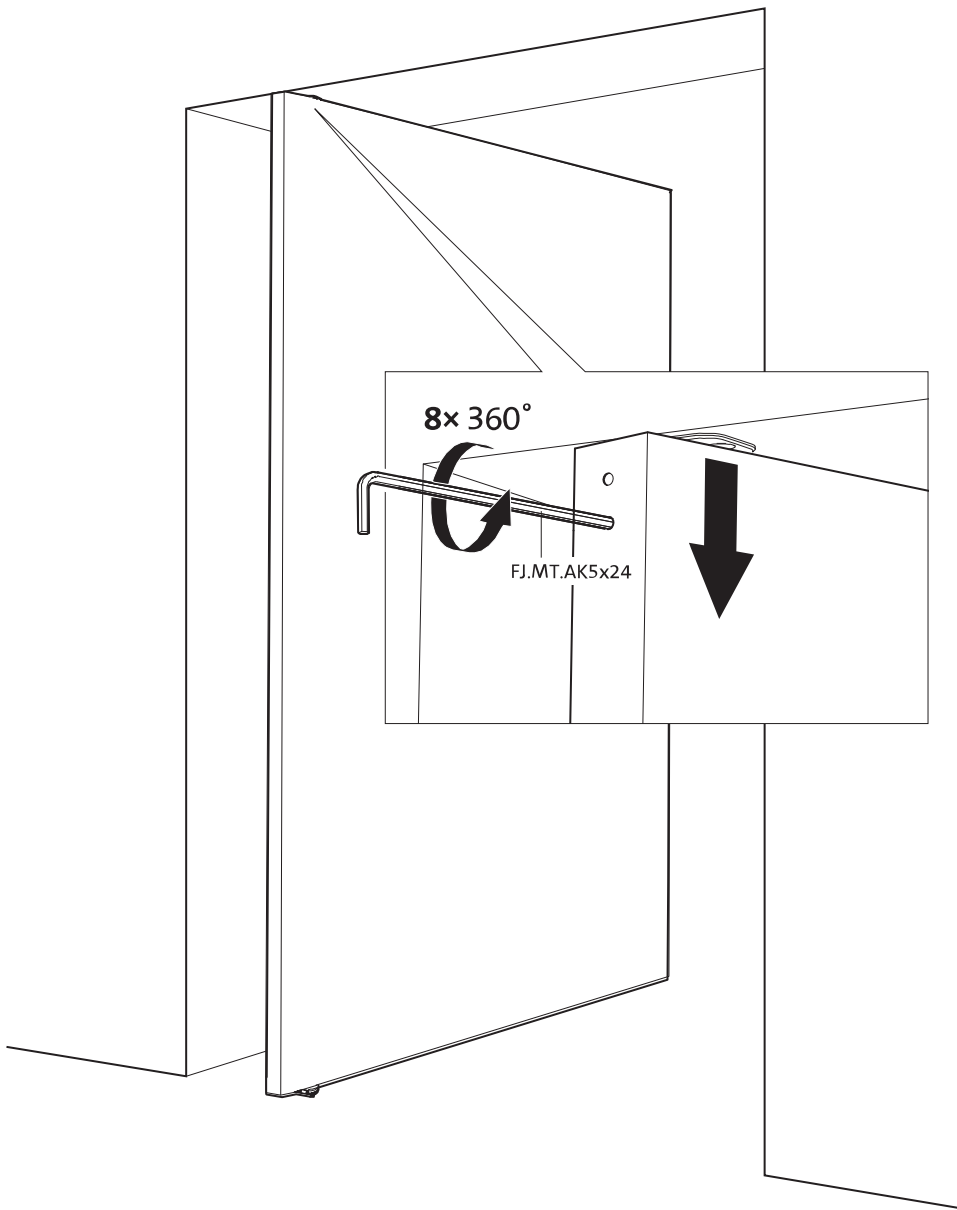


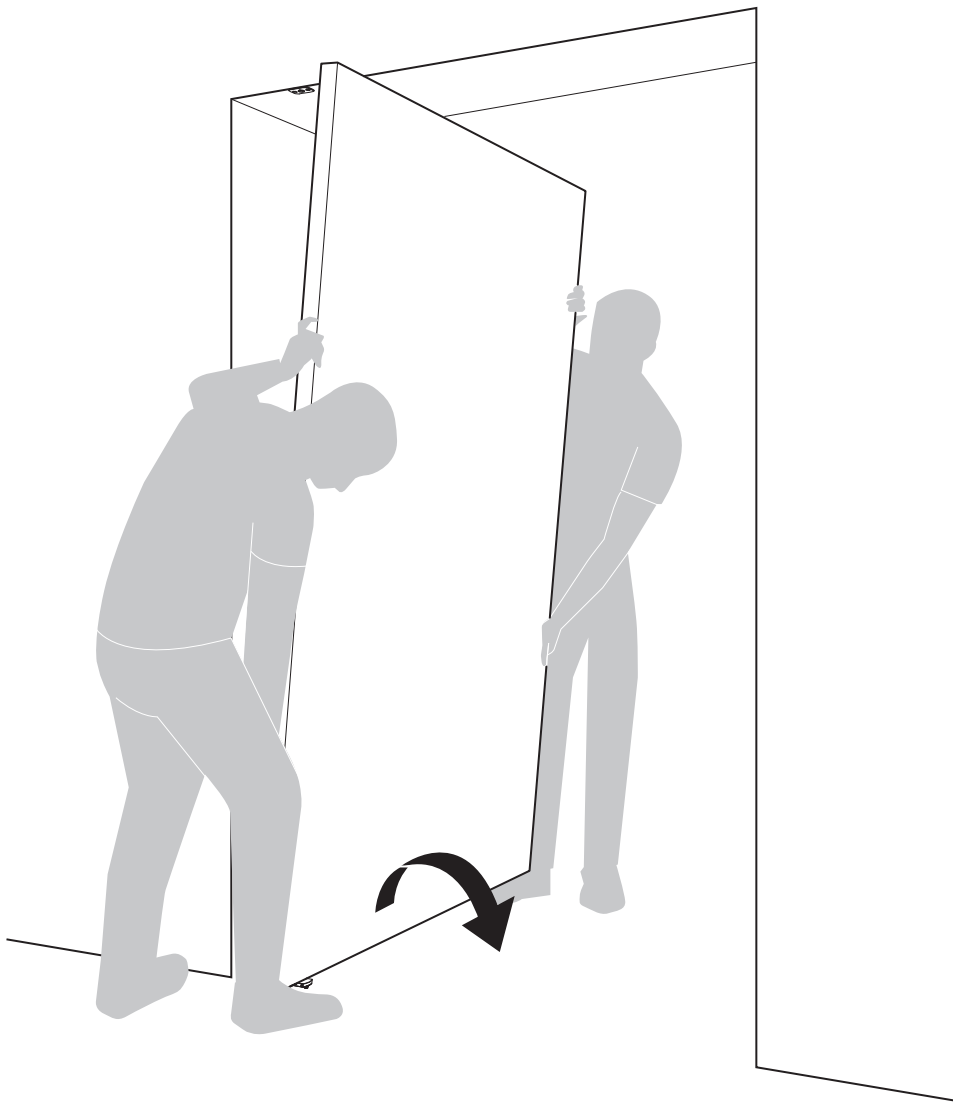




Demontageanleitung







FritsJurgens International

A. Einsteinlaan 1
Die Niederlande
9615 TE Kolham
+31 598 343 410
info@fritsjurgens.com

FritsJurgens Dubai Branch

DLC-OP-A2-4-0029
Dubai South
Dubai
Vereinigte Arabische Emirate
+971 4 820 8106
+971 58 137 2611
dubai@fritsjurgens.com
fritsjurgens.com

Copyright © FritsJurgens®
BP.Fx.40.C.X.SS

