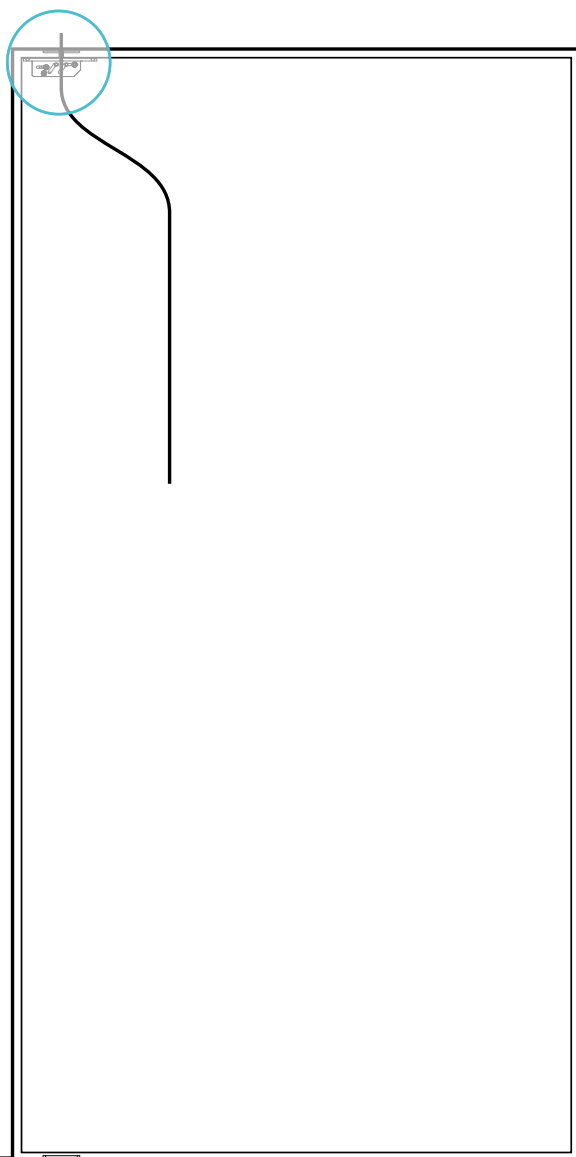


ACCESSORIES: CABLE GROMMET



The Cable Grommet is an addition to the existing FritsJurgens top pivot range and enables wiring in the door. This top pivot contains an integrated cable grommet of $\text{Ø}7.5$ mm. This version of the top pivot is available with every FritsJurgens system and replaces the standard delivered top pivot and ceiling plate within a complete set.

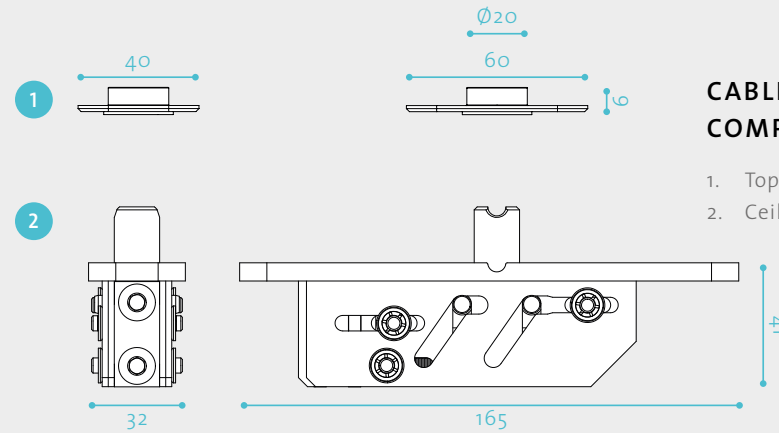
CABLE GROMMET

SPECIFICATIONS

Types	FritsJurgens top pivot - cable entry (200211) FritsJurgens ceiling plate - cable entry (300361)
Dimensions	165 x 32 x 41 mm

FOR TYPES OF DOORS

Door acting	Double-acting Single-acting
Weight capacity	0-500 KG
Door width	Unlimited
Door height	Unlimited
Pivot point	Min. 91 mm from pivot point to short side
Min. door thickness	40 mm



CABLE GROMMET COMPONENTS

1. Top pivot - cable entry
2. Ceiling plate - cable entry

Downloads

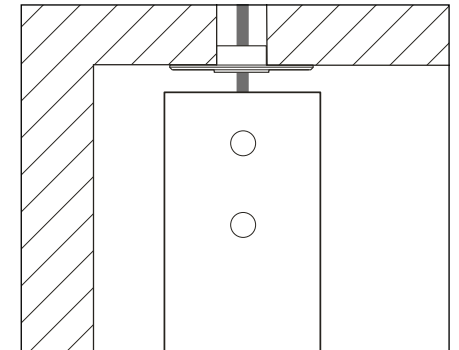
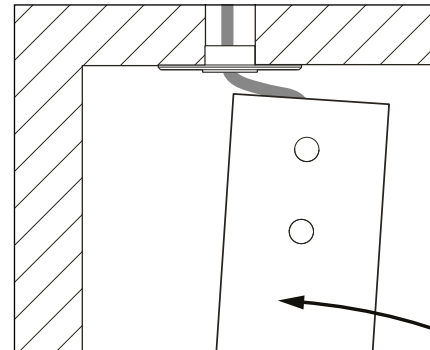
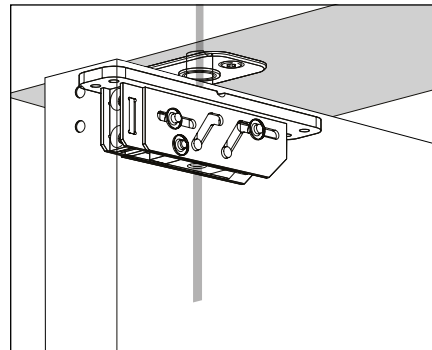
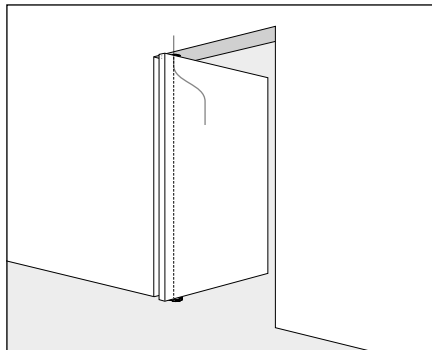
[Top pivot - cable entry 2D drawing](#)

[Top pivot - cable entry 3D drawing](#)

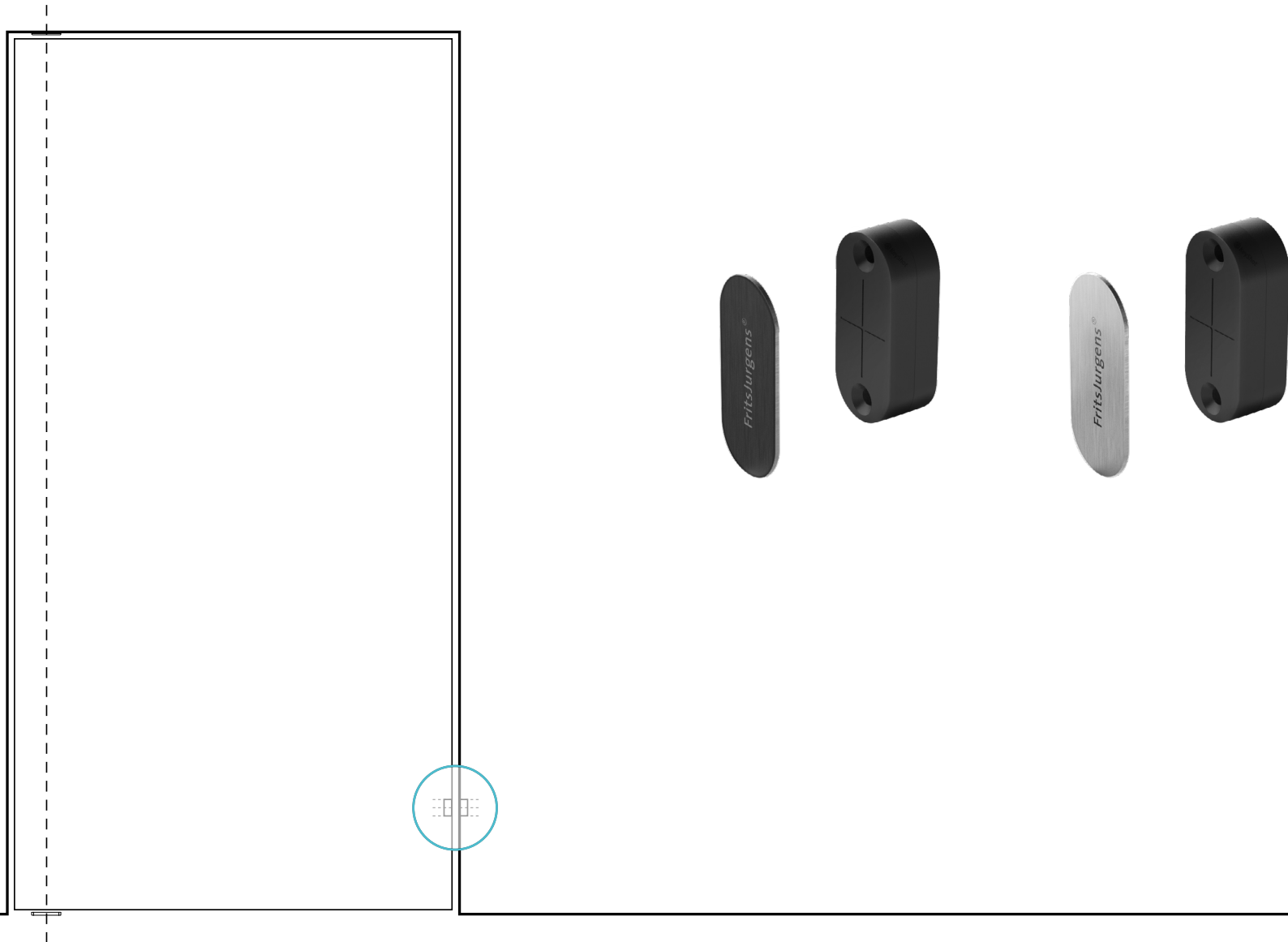
[Ceiling plate - cable entry 2D drawing](#)

[Ceiling plate - cable entry 3D drawing](#)

INSTALLATION



ACCESSORIES: FLUSH



The Flush consists of two strong magnets. These are mounted in the bottom side of the pivot door and the adjacent wall. The Flush hereby strengthens the 0° position of every pivot door, regardless its size or weight. The pivot door is always perfectly in line with the adjacent wall or door. A seamless junction, fully 'flush'.

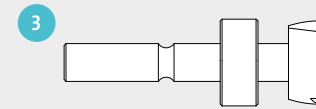
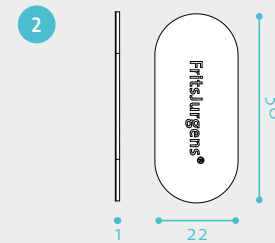
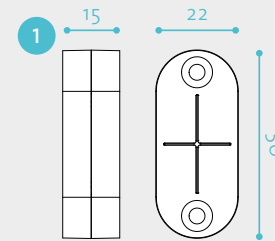
FLUSH

SPECIFICATIONS

Types	FritsJurgens Flush 707001 (stainless steel) FritsJurgens Flush 707002 (black)
	Optional: Forstner drill bit $\varnothing 22$ mm (with clamping ring)
Dimensions	50 x 22 x 15 mm

FOR TYPES OF DOORS

Door acting	Double-acting Single-acting
Weight capacity	0-500 KG
Door width	Unlimited
Door height	Unlimited
Pivot point	Min. 91 mm from pivot point to short side
Min. door thickness	40 mm



FLUSH COMPONENTS

1. Magnets (2x)
2. Cover plates (2x)
3. Optional: drill bit $\varnothing 22$ mm

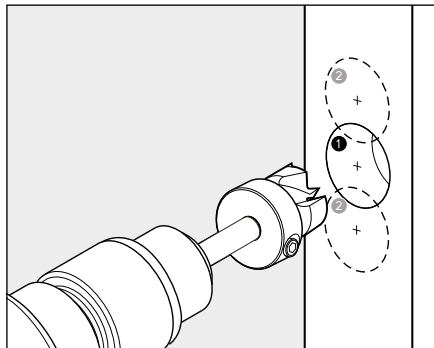
Cover plates in stainless steel or black

Downloads

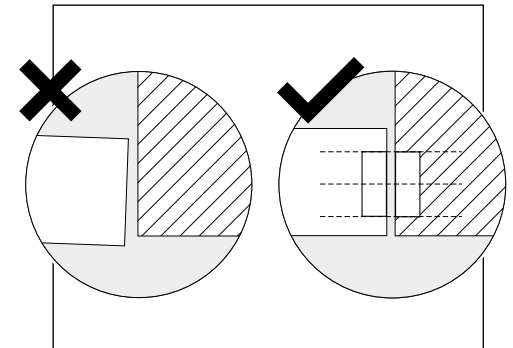
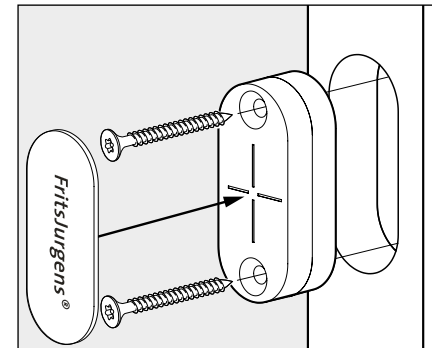
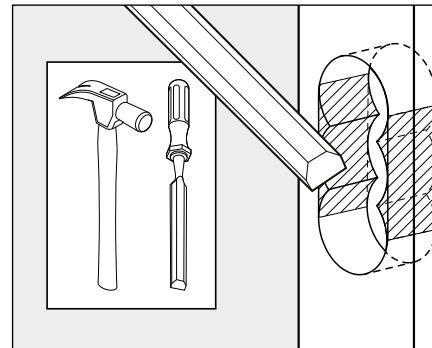
[Flush_2D drawing](#)

[Flush_3D drawing](#)

INSTALLATION

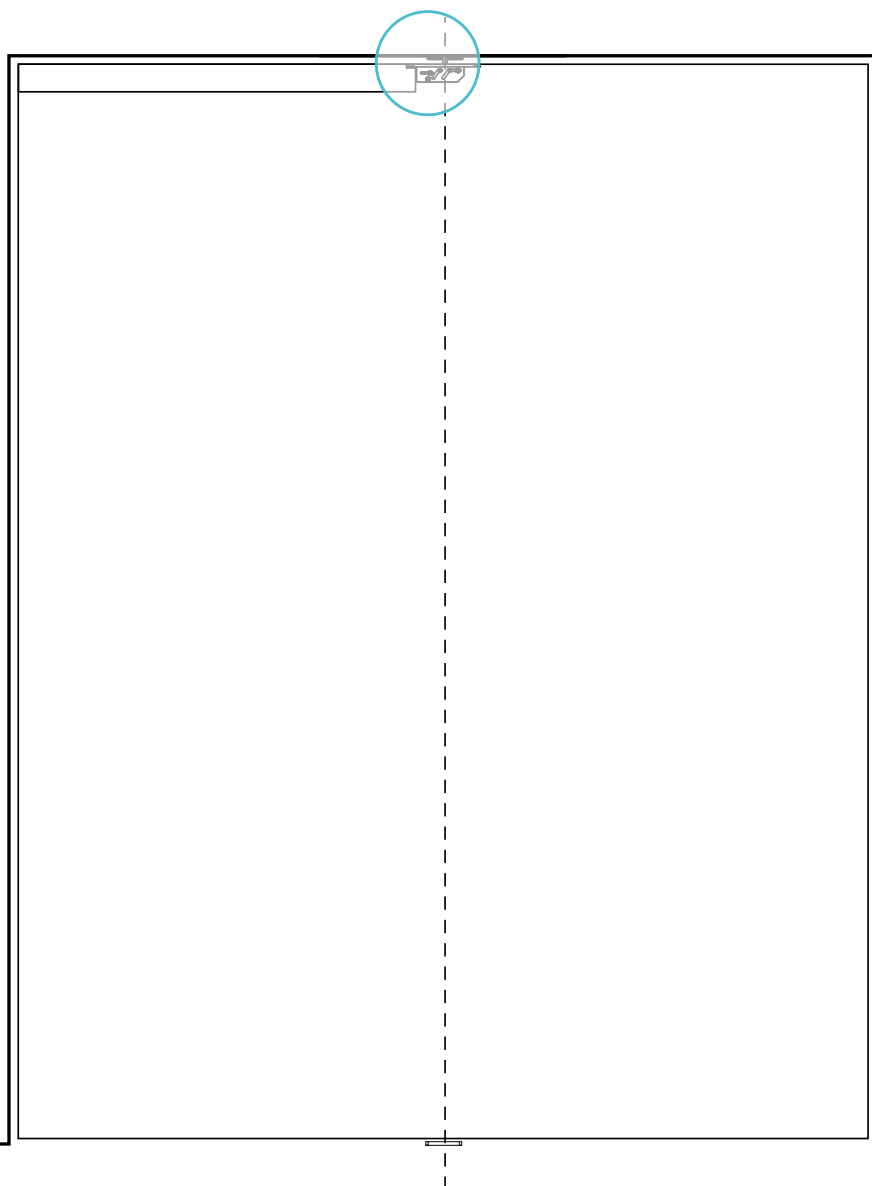


Recommended for use:
Forstner drill bit $\varnothing 22$ mm
Optional to order



Door seam <---->
3.0 mm - 6.0 mm

HEXAGON GUIDE



The Hexagon Guide can ease the installation of the pivot door. The minimum distance from the pivot point to the edge of the door is 91 mm and the maximum distance is the middle of the door width. In case the pivot point is more than 280 mm from the edge of the door we offer the Hexagon Guide to ease the installation.

HEXAGON GUIDE

SPECIFICATIONS

Types	FritsJurgens Hexagon Guide - 1 m (706000) FritsJurgens Hexagon Guide - 2 m (706200)
Dimensions	1M: 998 x 31.5 x 44 mm 2M: 1998 x 31.5 x 44 mm

FOR TYPES OF DOORS

Door acting	Double-acting Single-acting
Weight capacity	0-500 KG
Door width	Unlimited
Door height	Unlimited
Pivot point	Min. 280 mm from pivot point to short side
Min. door thickness	40 mm

HEXAGON GUIDE COMPONENTS

1. Hexagon Guide
2. Hexagon key

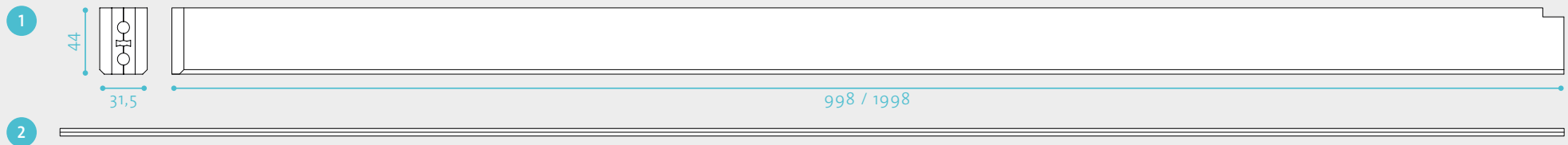
Downloads

[Hexagon guide 1 m 2D drawing](#)

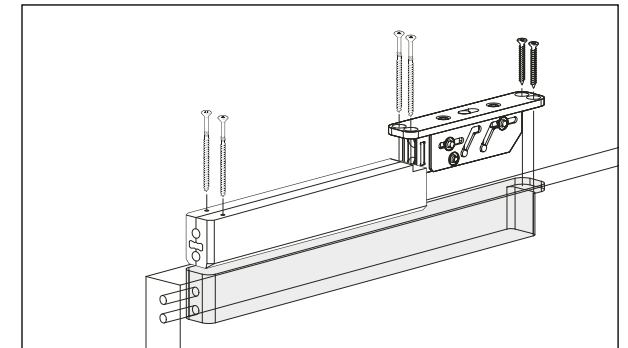
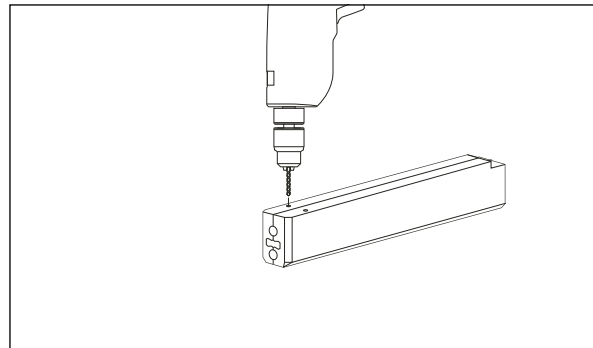
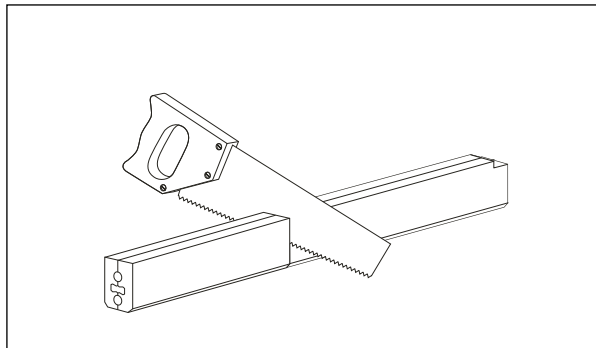
[Hexagon guide 1 m 3D drawing](#)

[Hexagon guide 2 m 2D drawing](#)

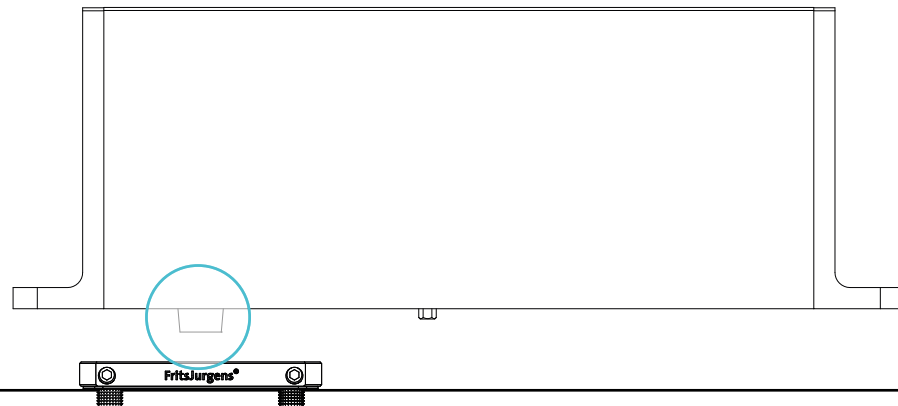
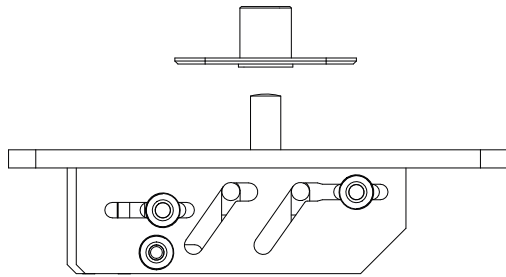
[Hexagon guide 2 m 3D drawing](#)



INSTALLATION



AXLE WRENCH



When installing a door fitted with System M, it is very important that the door is installed in its open position. This can be accomplished by using the Axle Wrench to rotate the oval spindle in the bottom of the System M 90°, pointing the arrow toward the direction the door will be opening (0° position). In case of frequent use it is possible to mount the floor plate (art. 400701) on the Axle Wrench.

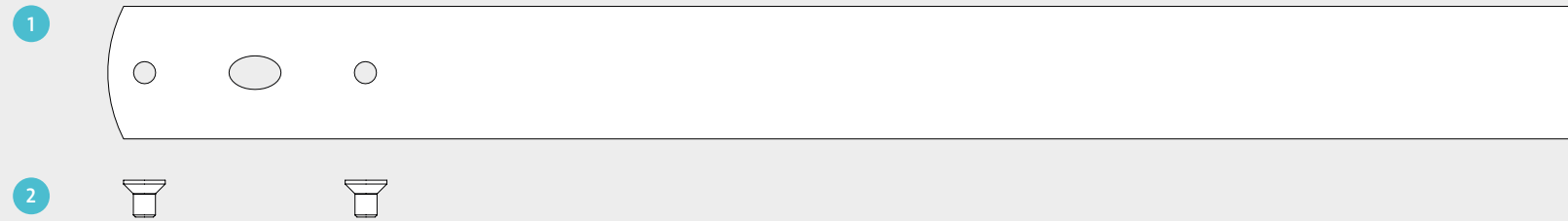
AXLE WRENCH

SPECIFICATIONS

Types	FritsJurgens Axle Wrench (500503)
Dimensions	400 x 36 x 3 mm

AXLE WRENCH COMPONENTS

1. Axle Wrench
2. 2x M6 fixing screws (in case of frequent use it is possible to mount the floor plate on the Axle Wrench).



INSTALLATION

