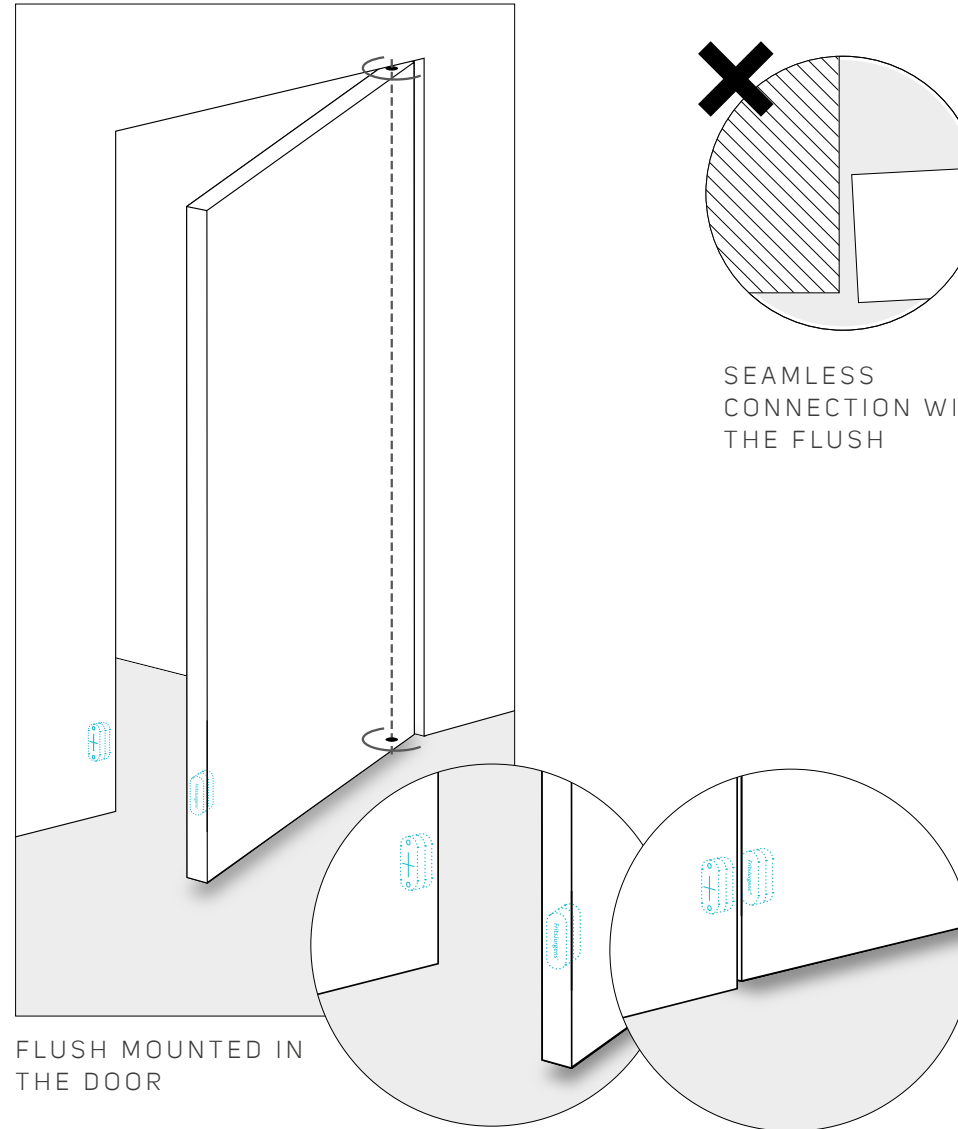


FritsJurgens® FLUSH

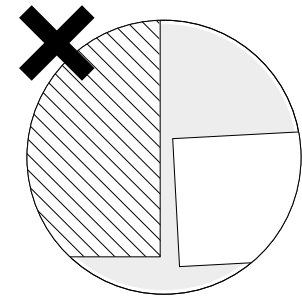
The Flush consists of a set of two strong magnets. These will be installed in the bottom side of the pivot door and in the wall or door next to it. The Flush strengthens the 0° position of every pivot door, no matter its size or weight. This makes sure that the pivot door is always perfectly in line with the wall or door next to it. A seamless connection, completely 'flush'.

The Flush is suitable for pivot doors that are already placed but also for pivot doors that are not placed yet. A minimalistic design: the hidden perfection you can expect from FritsJurgens.

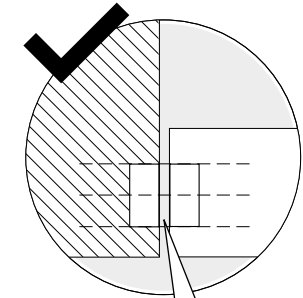
FLUSH: SEAMLESS CONNECTION



FLUSH MOUNTED IN
THE DOOR



SEAMLESS
CONNECTION WITH
THE FLUSH



DOOR SEAM
3.0mm - 6.0mm
1/8in - 8/32in



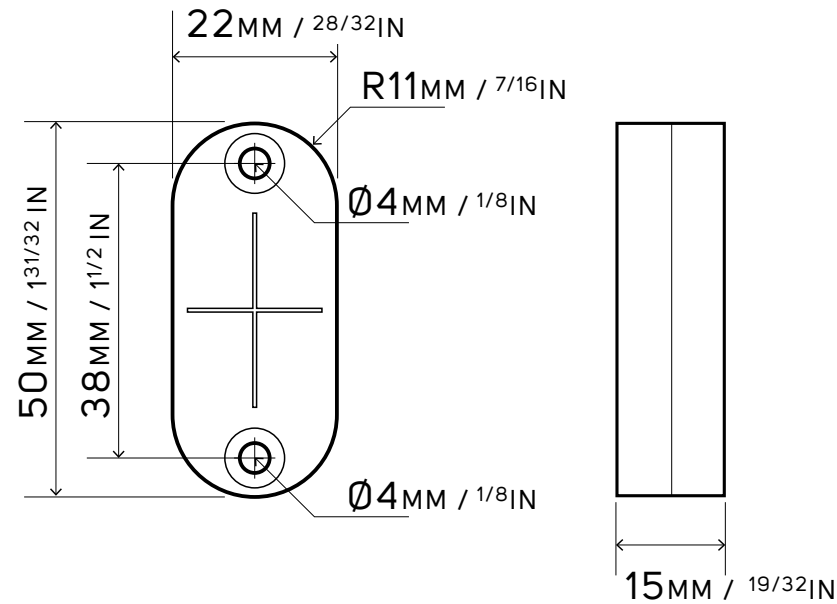
FLUSH COVERS AVAILABLE
IN TWO COLOURS

FritsJurgens® FLUSH

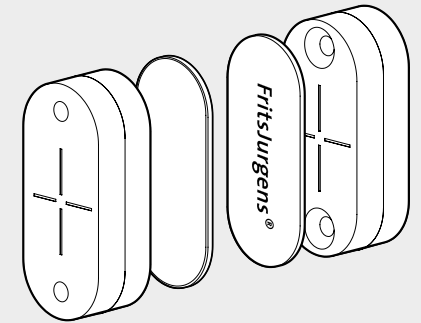
The Flush can be applied to refine large, heavy doors that have a deviation of a few millimeters to make them connect seamlessly to the wall or door next to it. Finetune your pivot door with the Flush.

- Seamless connection of the pivot door
- Suitable for new and existing situations
- Minimalistic design: hidden perfection
- Perfectly closed pivot doors at 0°
- Finetune large, heavy doors

TECHNICAL DRAWING (Scale 1:1)



ORDER INFORMATION

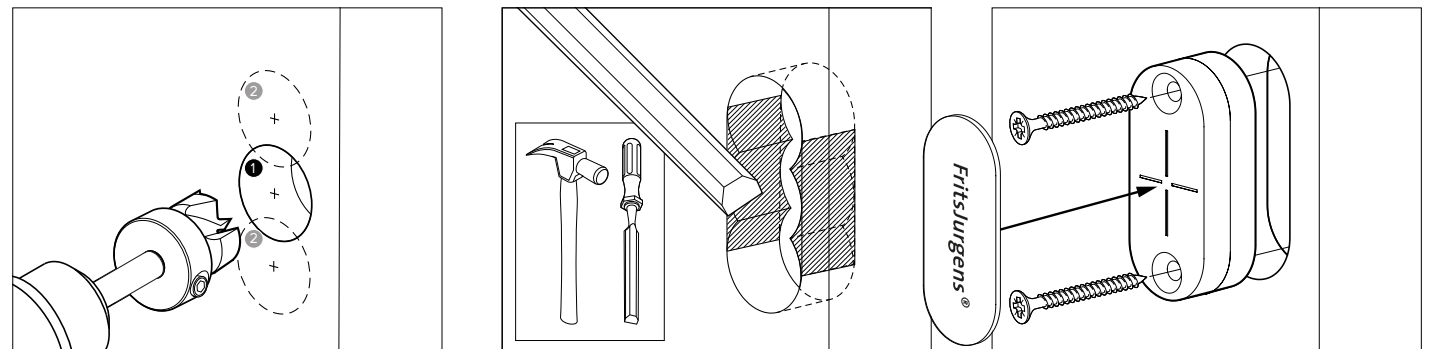


FRITSJURGENS FLUSH INCLUDES:

- SET OF 2 MAGNETS
- SET OF 2 STAINLESS STEEL (707001) OR BLACK (707002) COVER PLATES

OPTIONAL:
ART. 707100
FORSTNER DRILL BIT
Ø22mm - with clamping ring

INSTALLATION



RECOMMENDED TO USE: FORSTNER DRILL BIT Ø22mm (can be ordered optional)