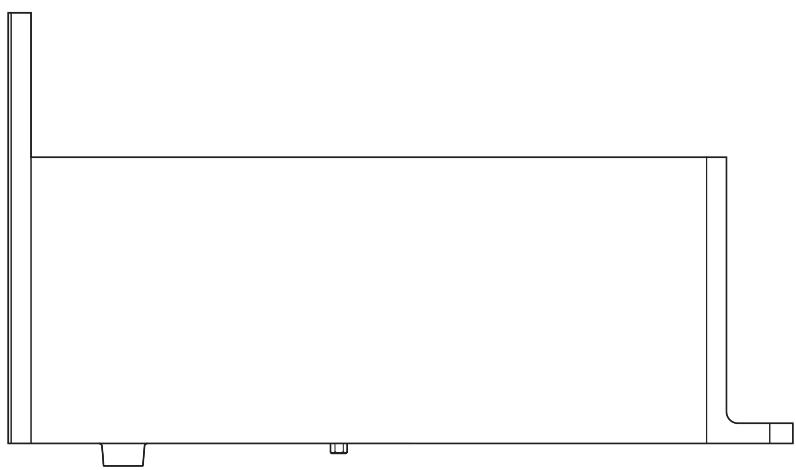
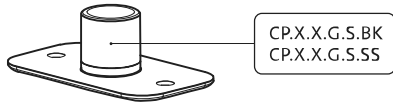


System M

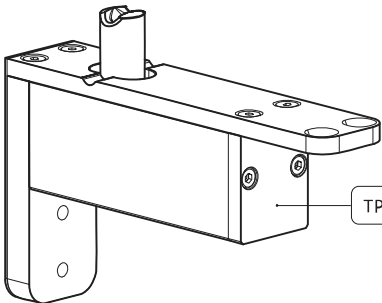
Milling and mounting manual

FritsJurgens Set - 40 mm Class C - stainless steel

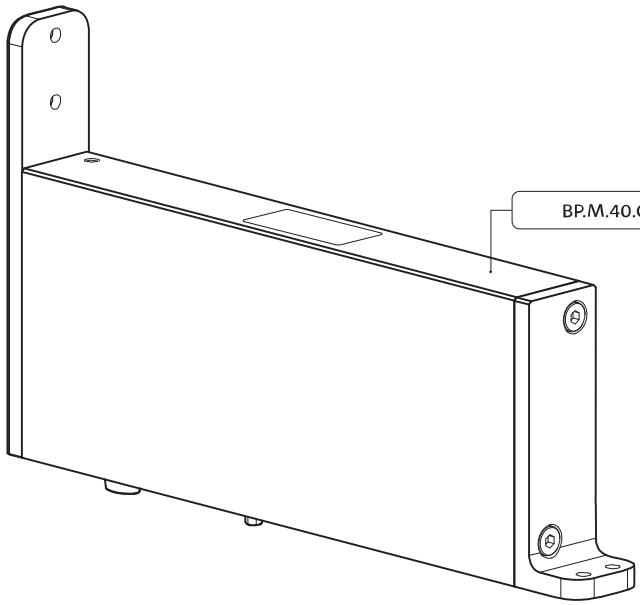




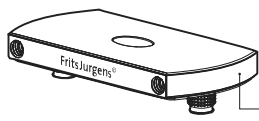
CP.X.X.G.S.BK
CP.X.X.G.S.SS



TP.X.40.G.X.SS



BP.M.40.C.X.SS



FP.M.X.X.S.BK
FP.M.X.X.S.SS



FP.M.X.X.FS.SS



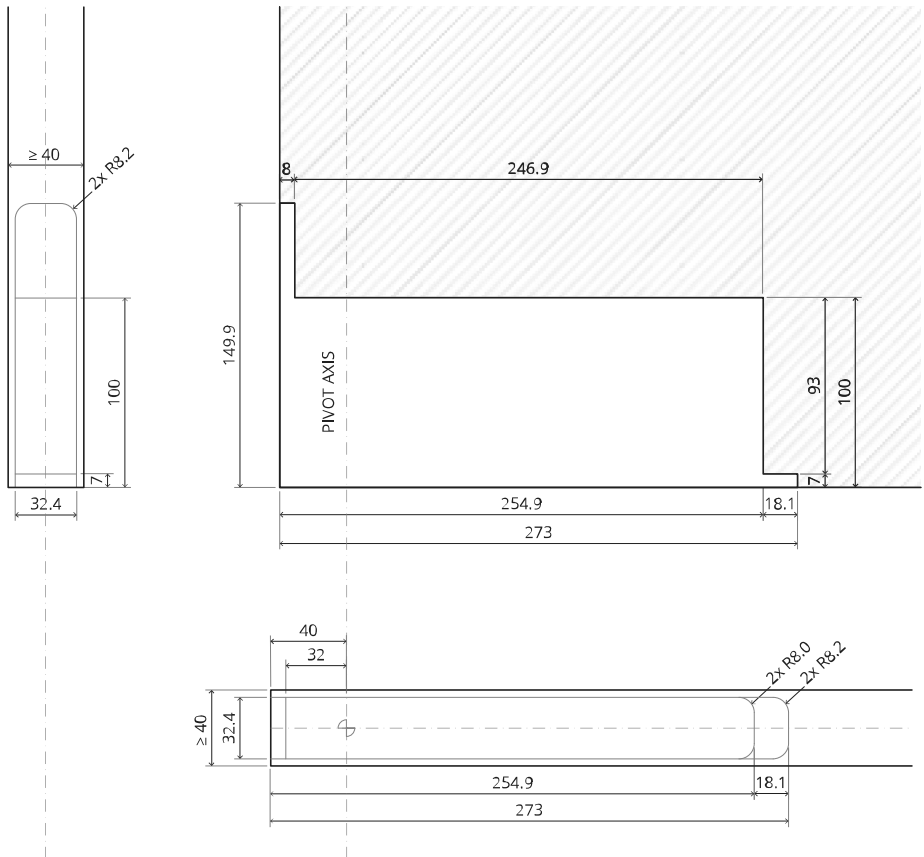
FP.M.X.X.FR.SS

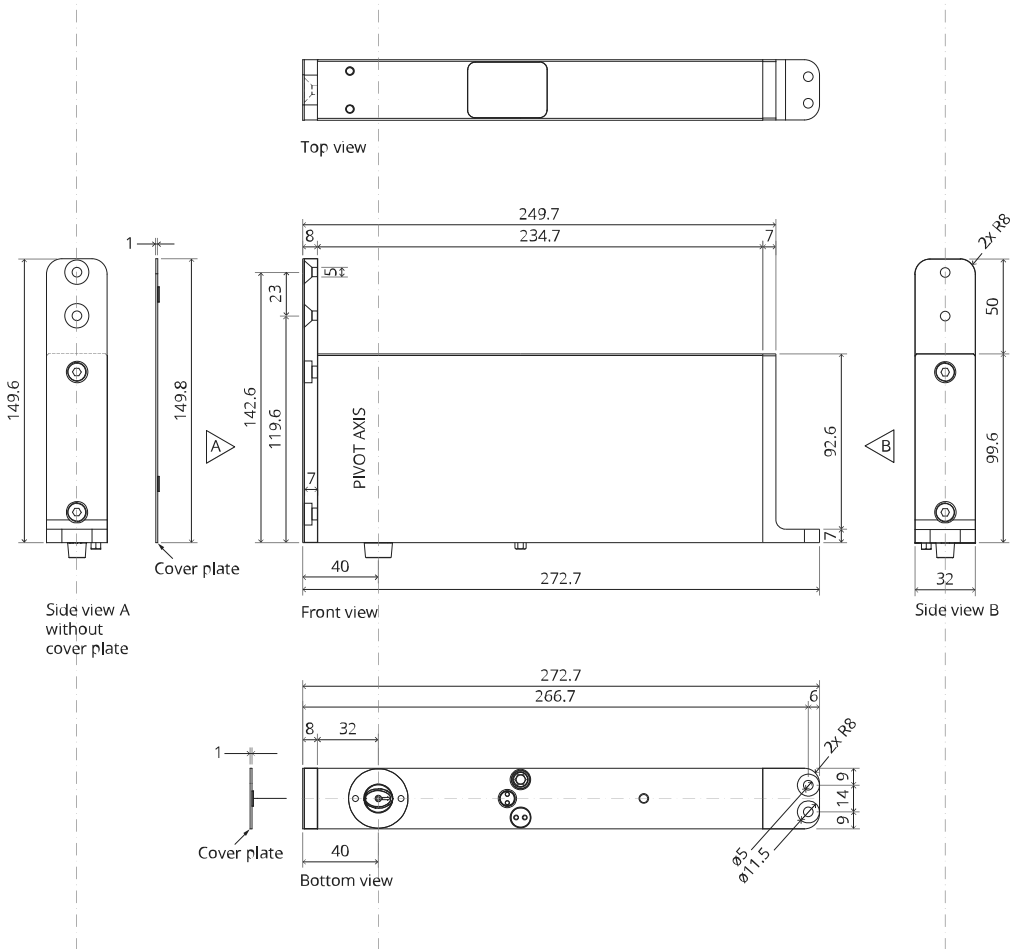


FP.M.X.X.R.SS
FP.M.X.X.R.BK

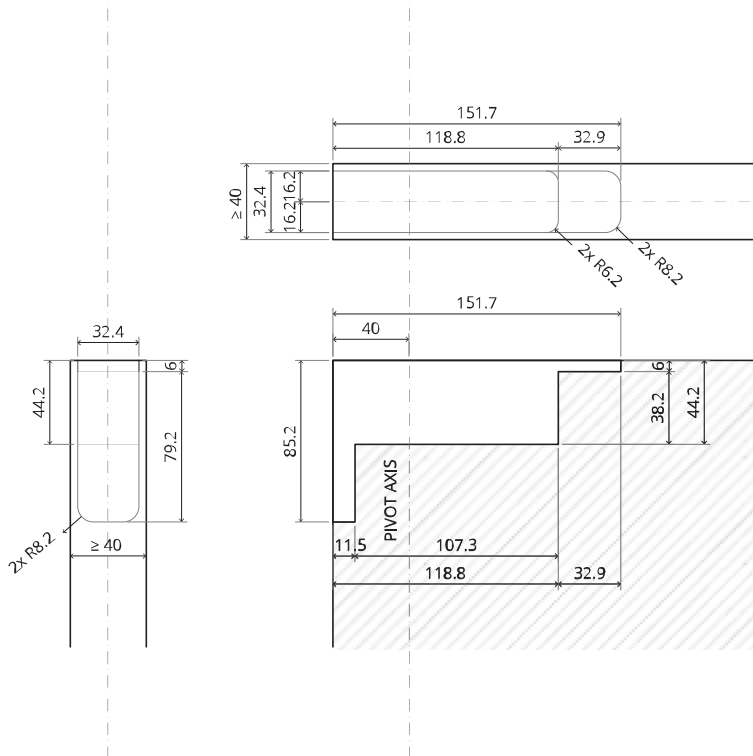
Milling instructions

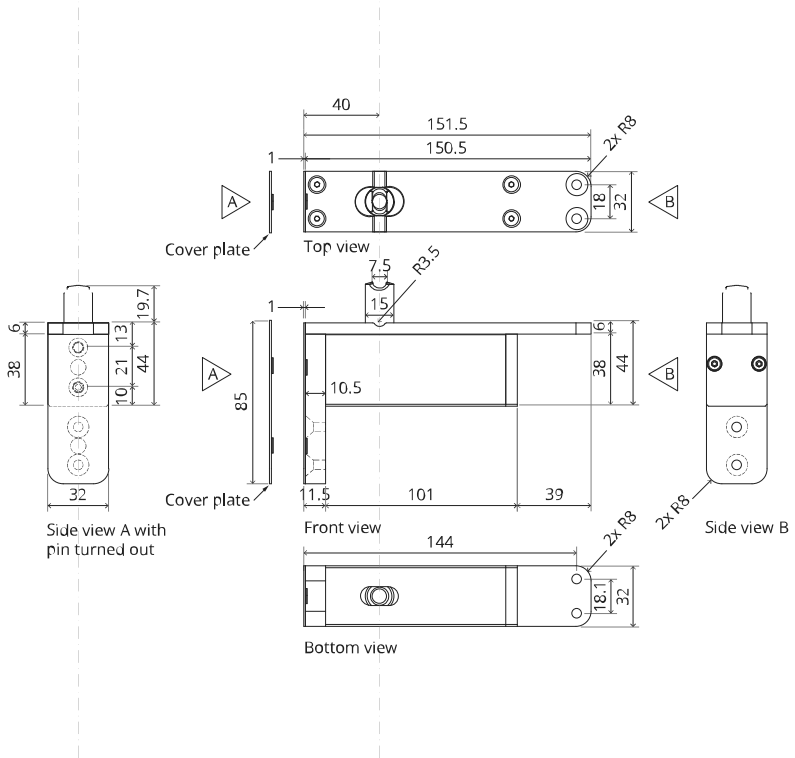
BP.M.40.C.X.SS



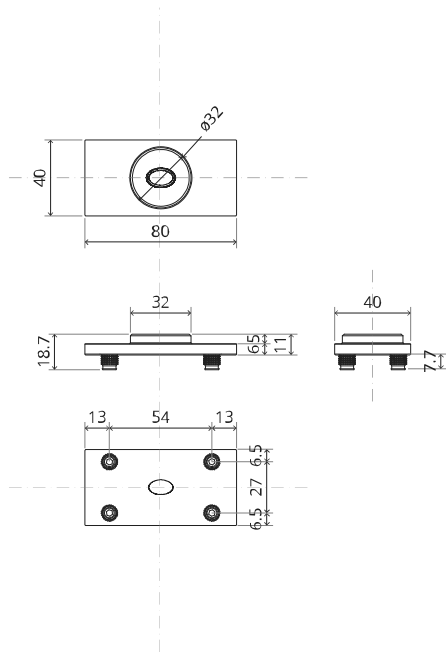
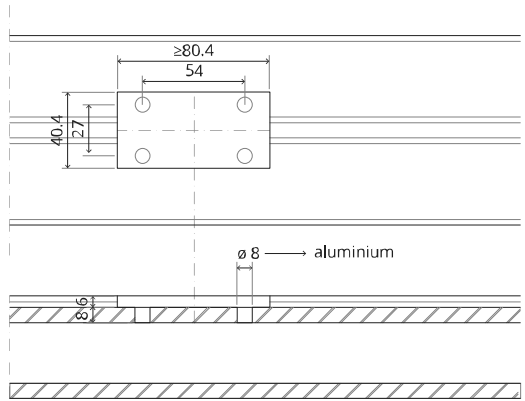


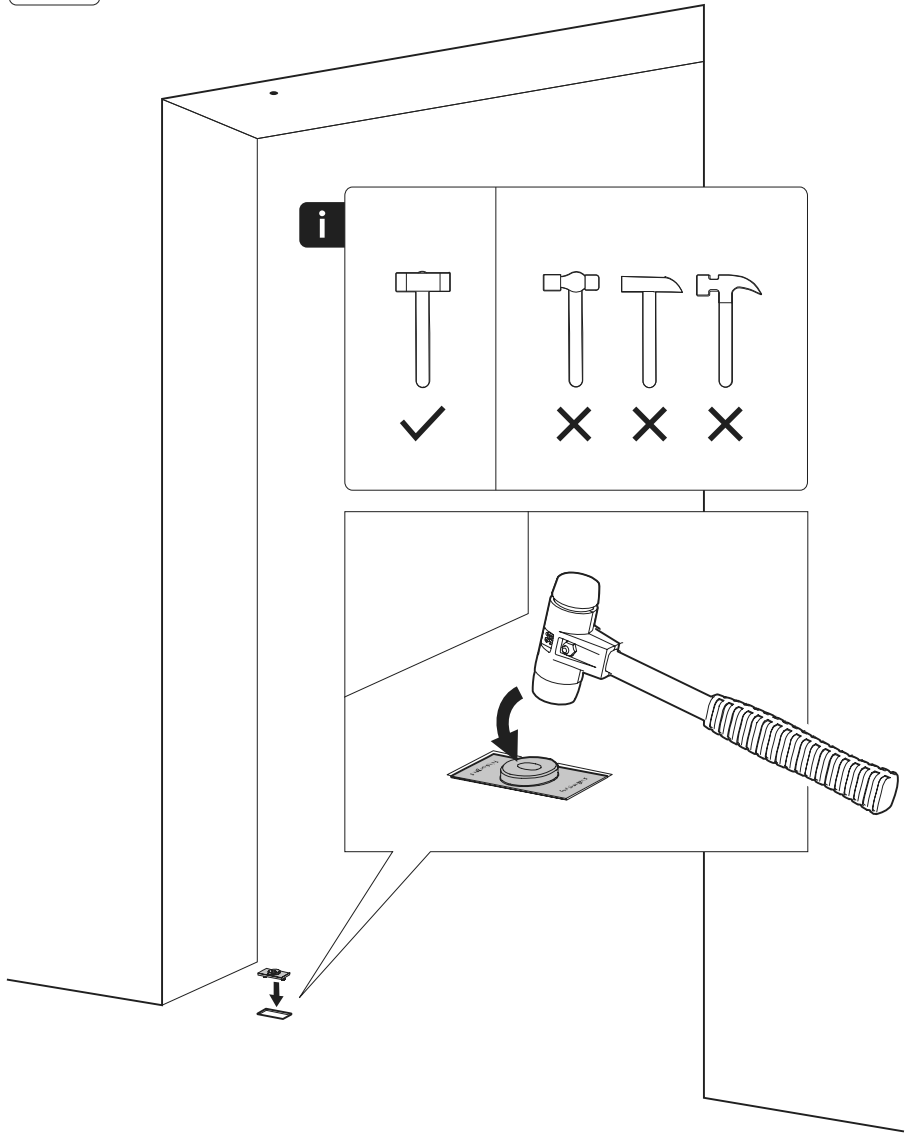
TP.X.40.G.X.SS



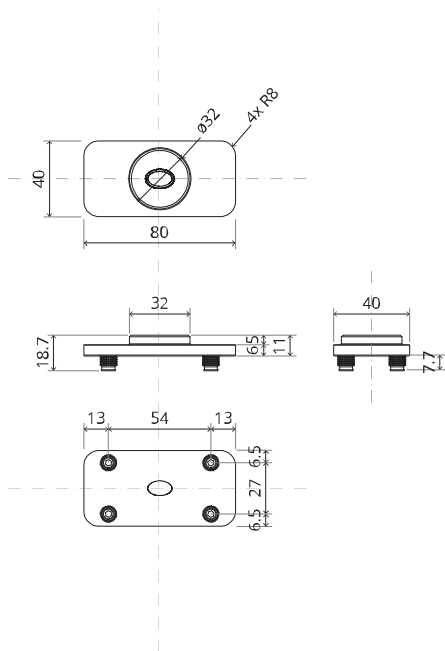
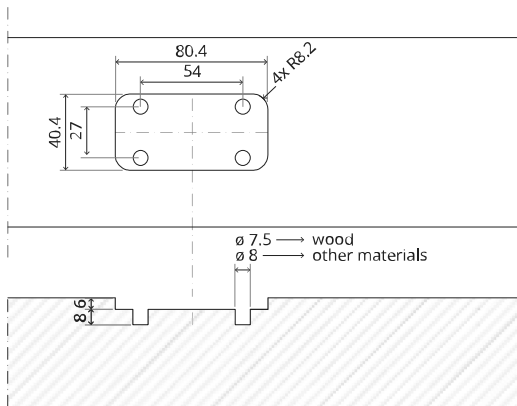


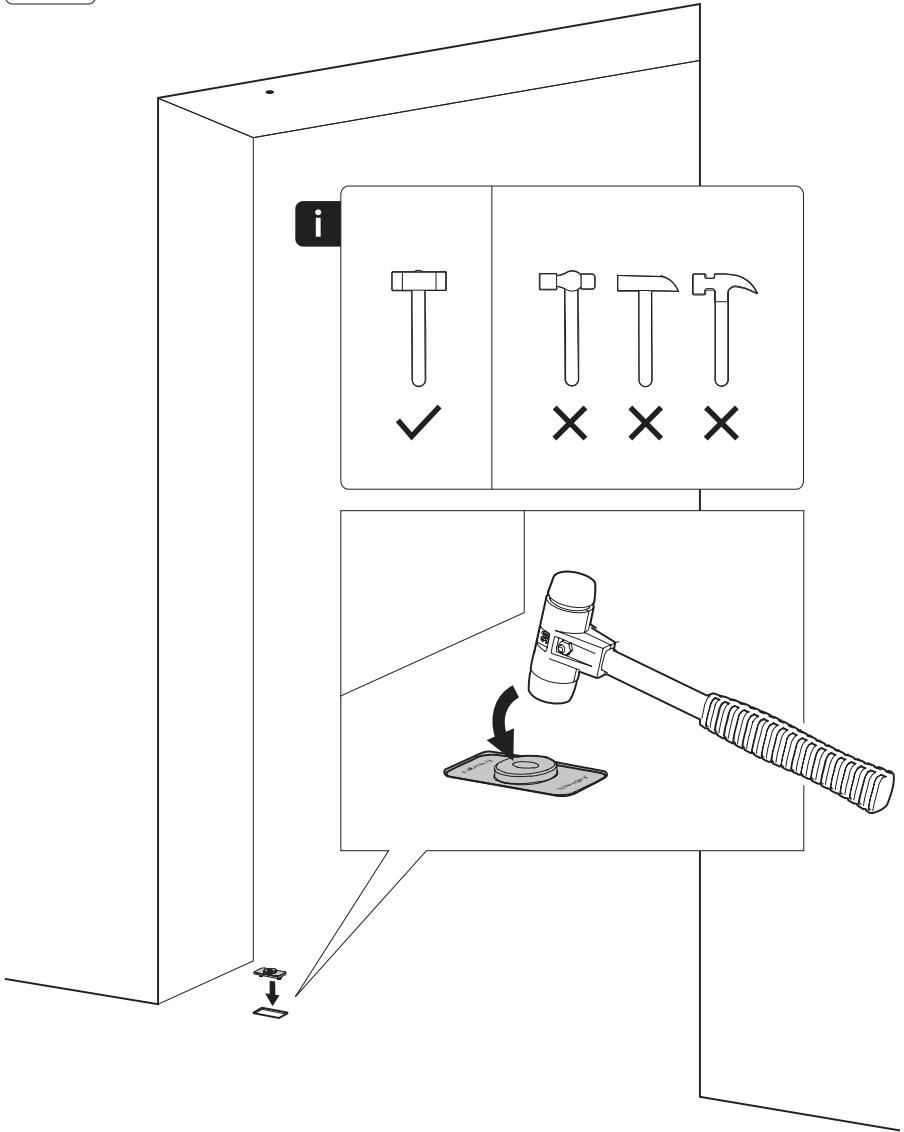
FP.M.X.X.FS.SS



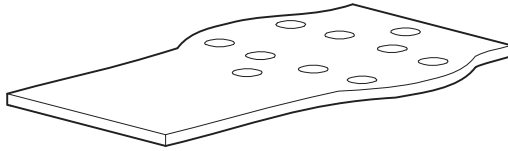


FP.M.X.X.FR.SS





Mounting instructions



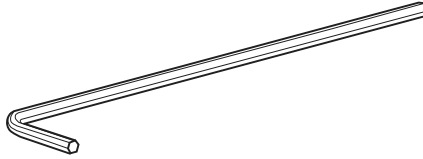
FJ.MT.DT.M



FJ.MT.ZS



FJ.MT.AK3



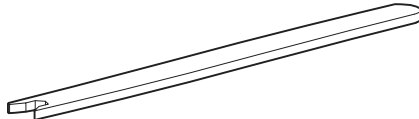
FJ.MT.AK5x24



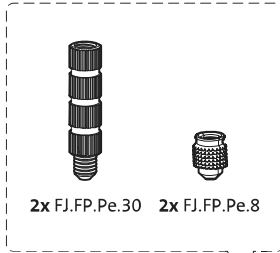
10x FJ.Tx.4.0X50.PKDD



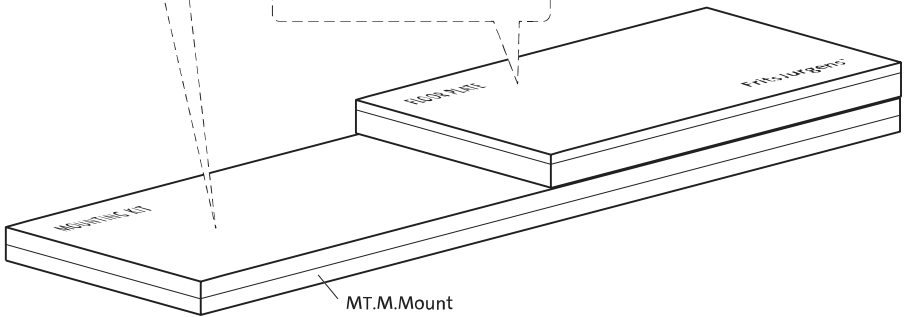
FJ.Bit.Tx20



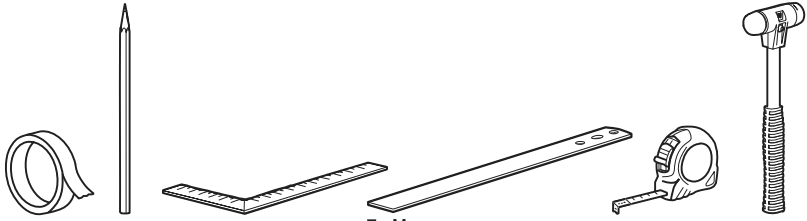
FJ.MT.AS.M



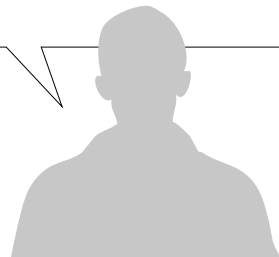
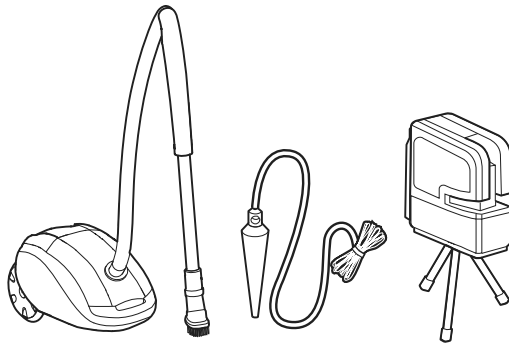
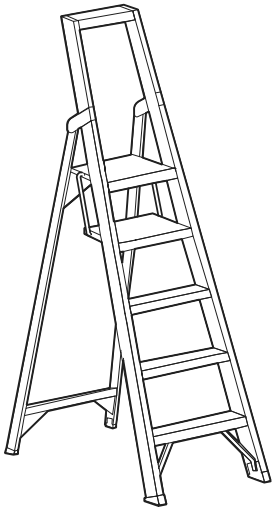
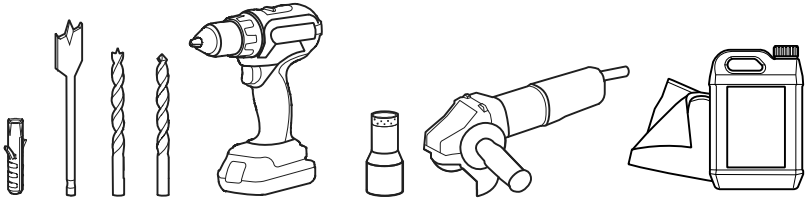
2x FJ.FP.Pe.30 2x FJ.FP.Pe.8

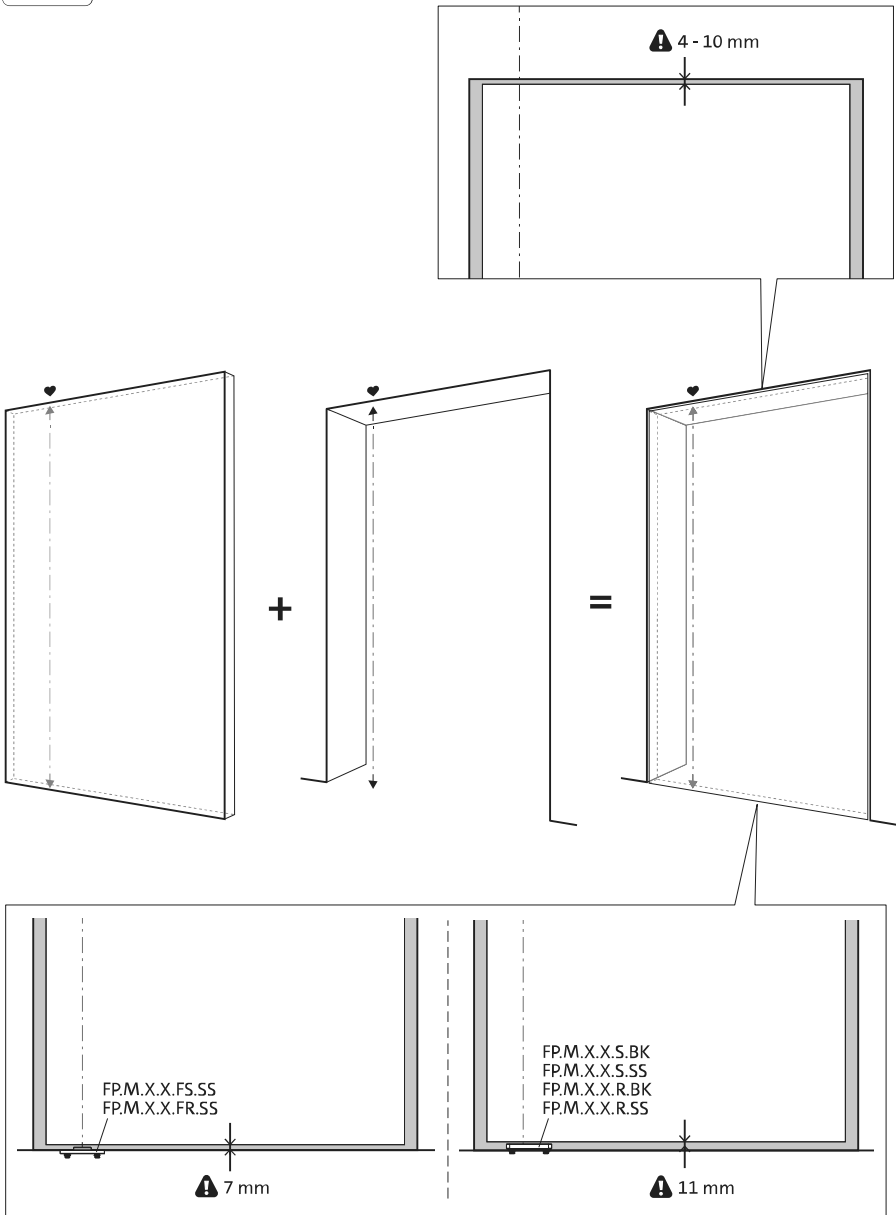


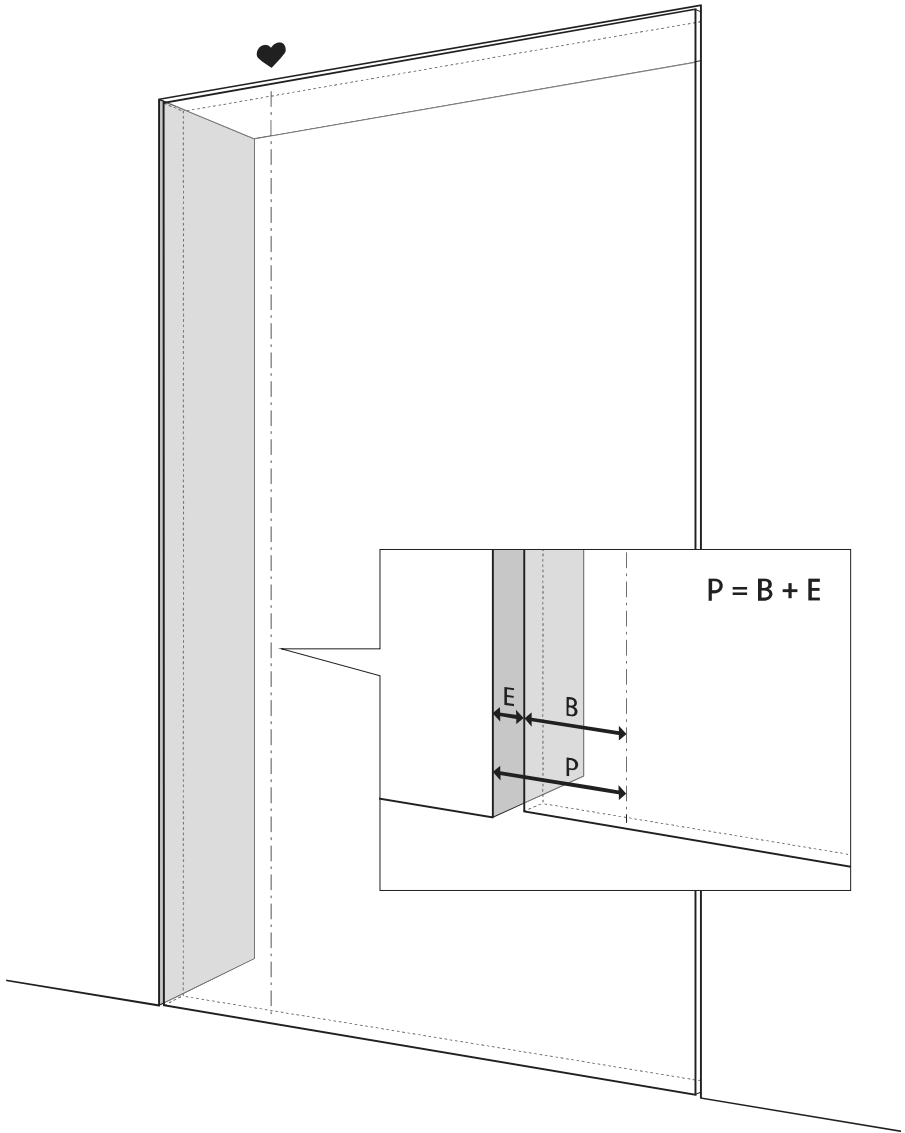
MT.M.Mount

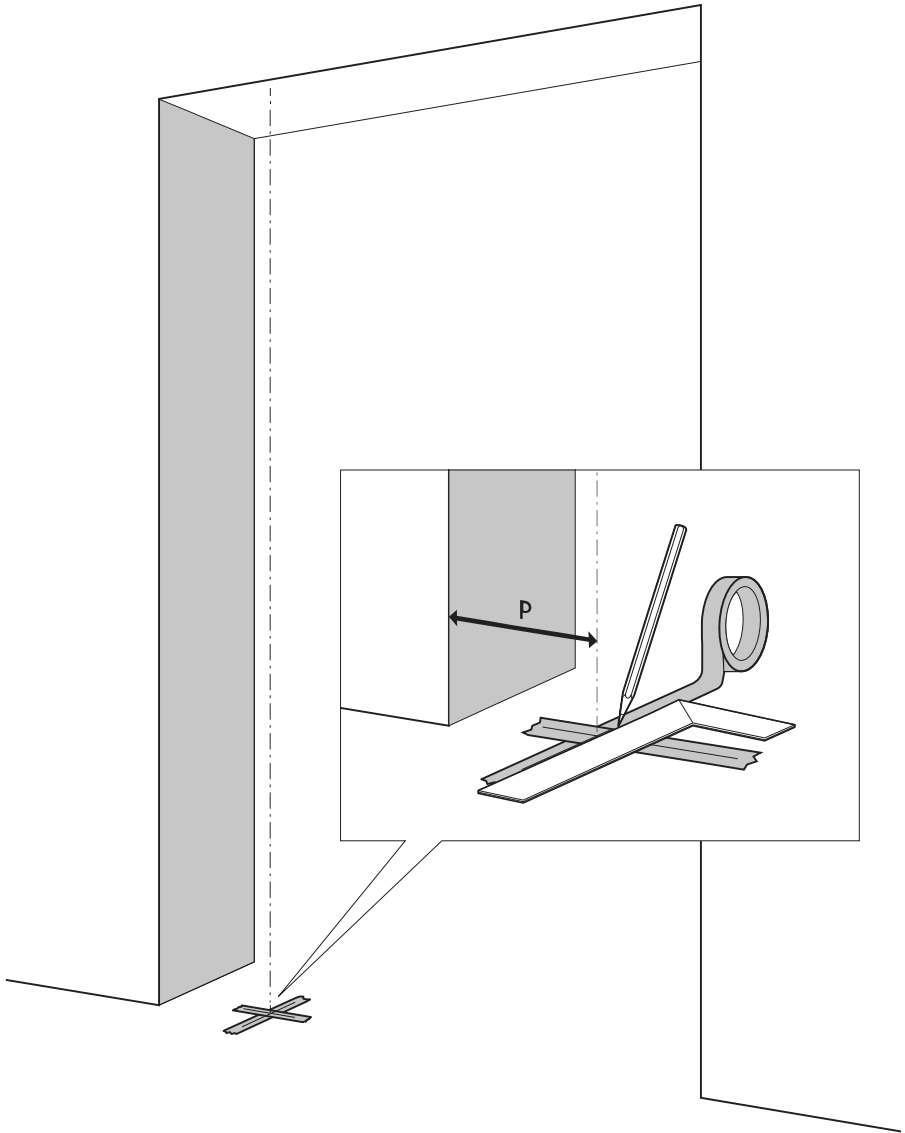


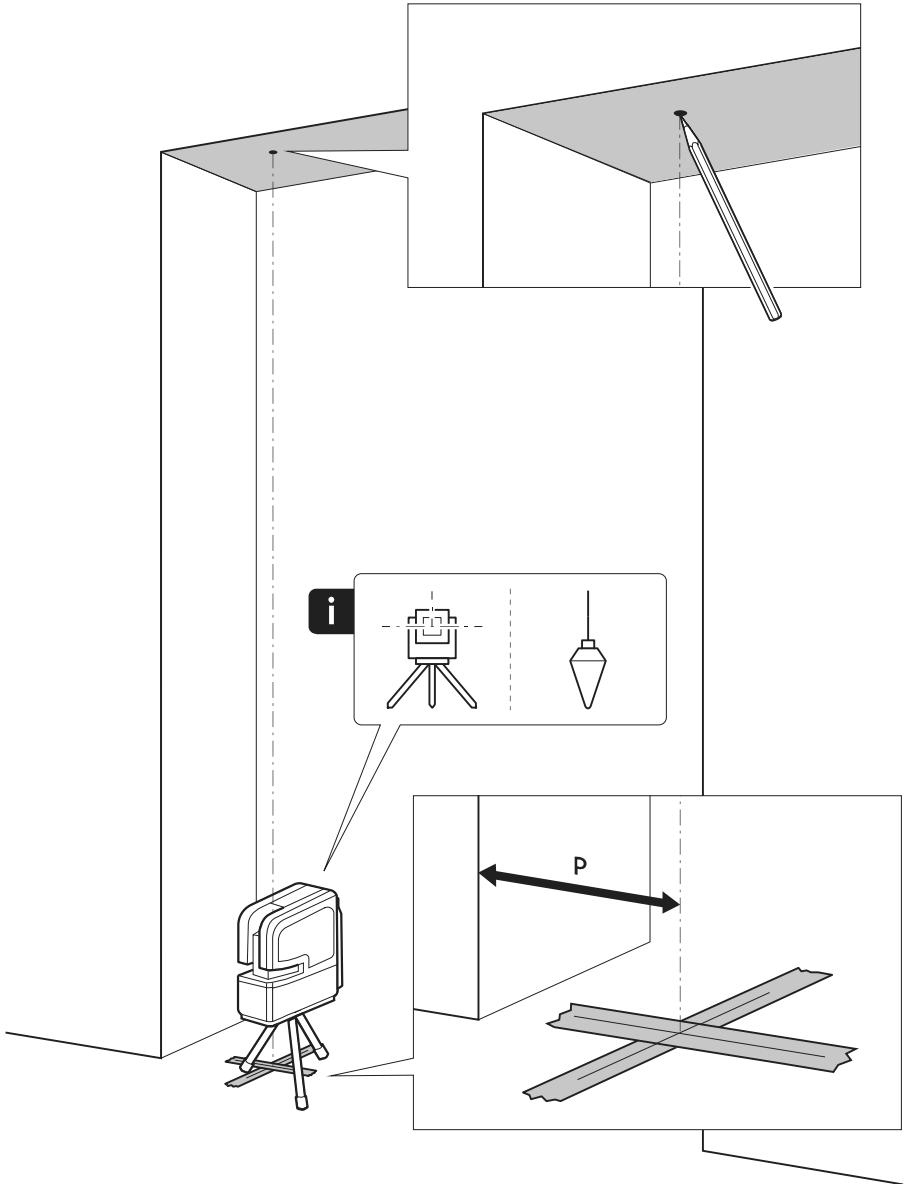
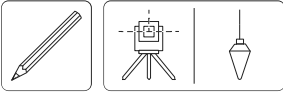
To.M

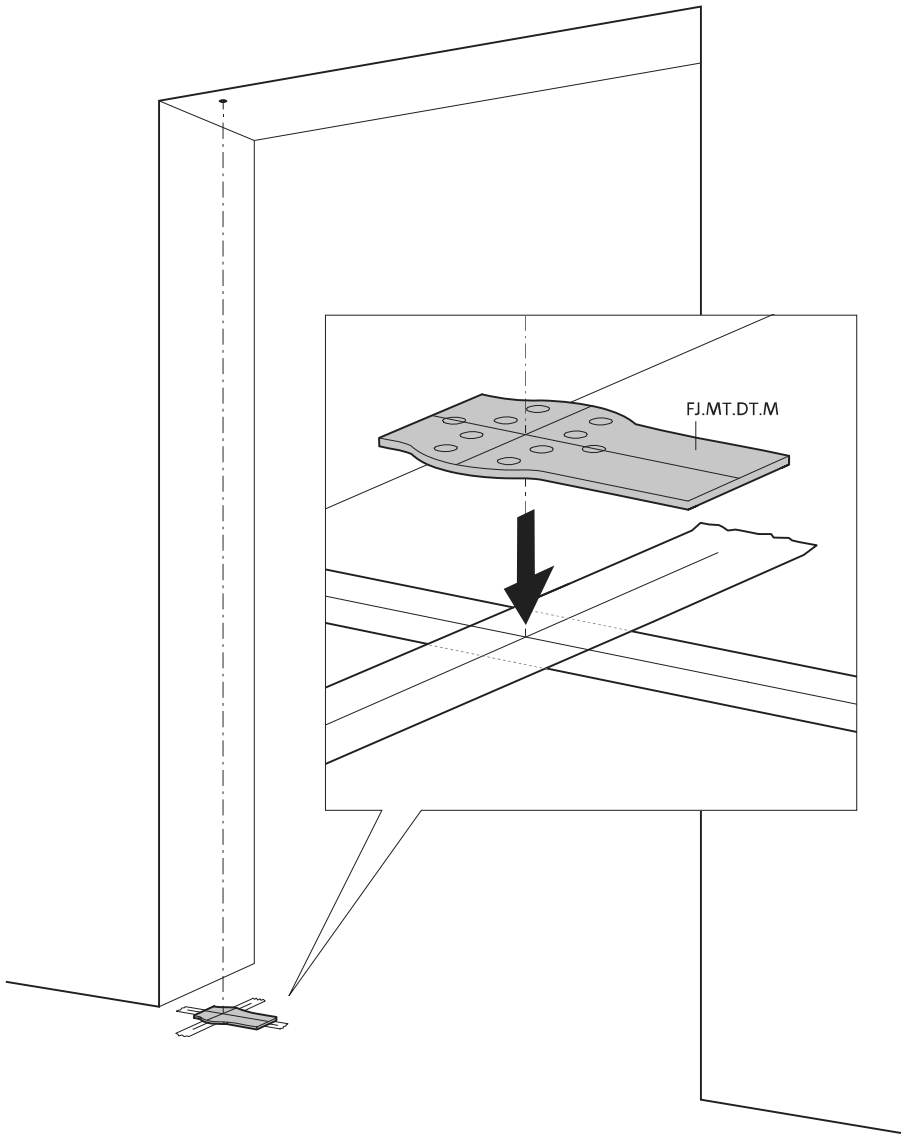


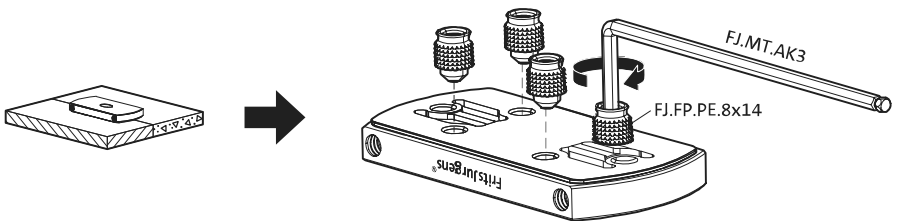
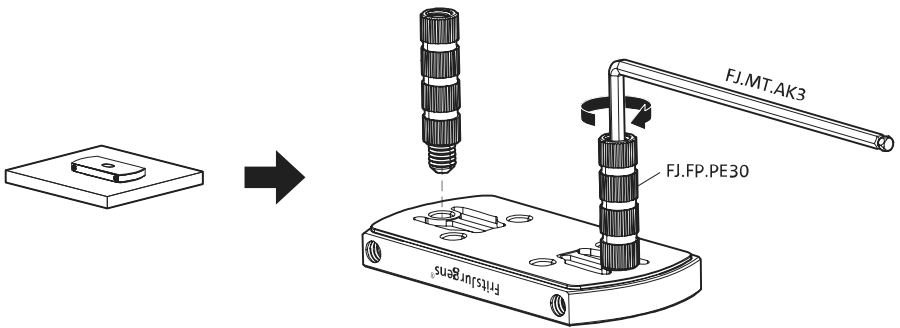
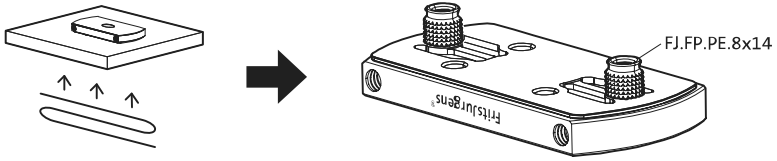






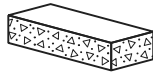
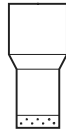




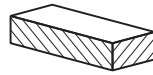




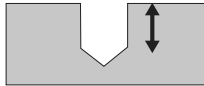
ø8 mm (5/16")



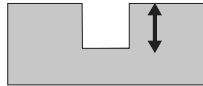
ø8 mm (5/16")



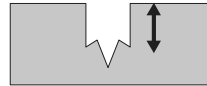
ø7.5 mm (19/64")



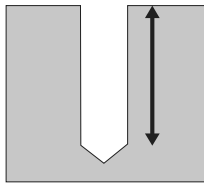
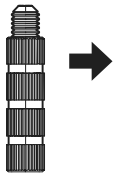
8 mm (5/16")



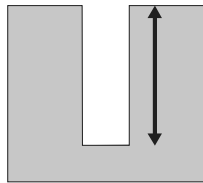
8 mm (5/16")



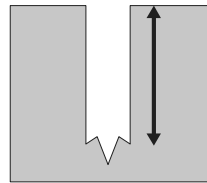
8 mm (5/16")



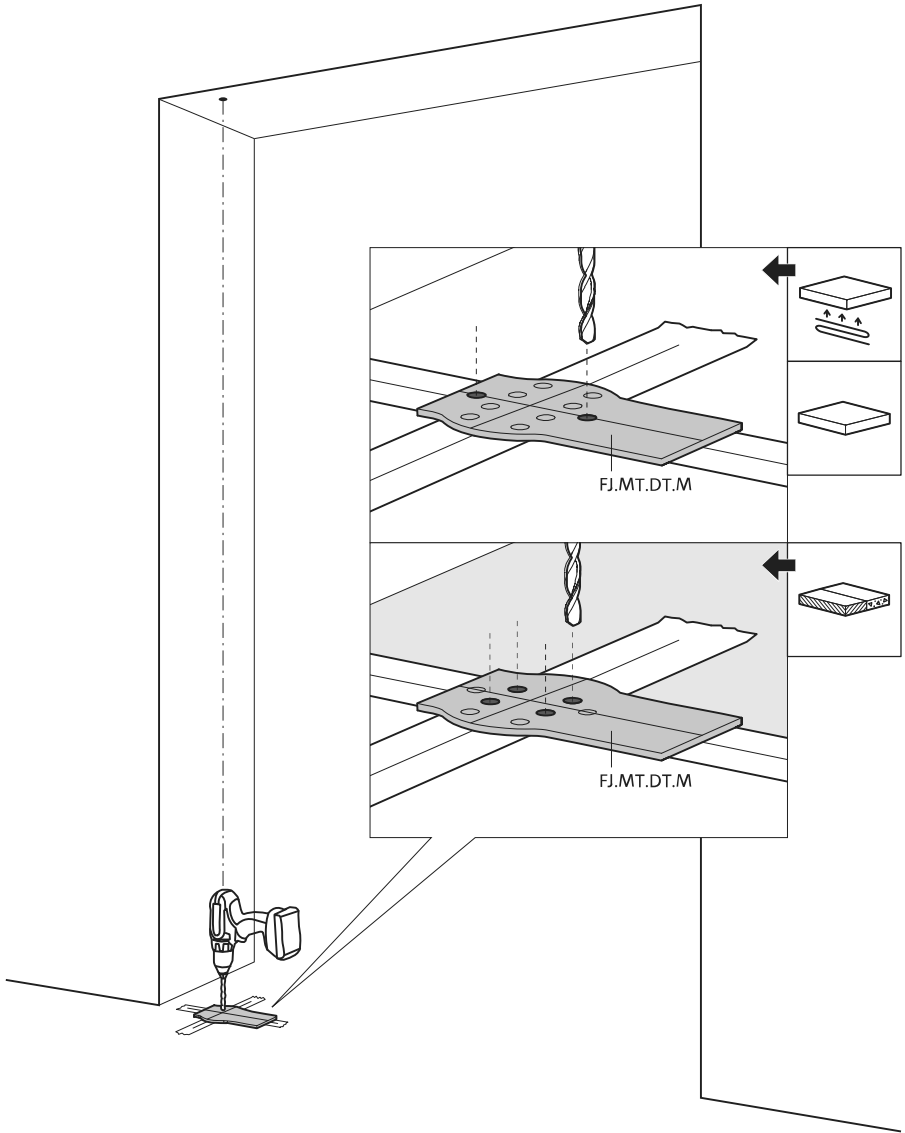
30 mm (13/16")

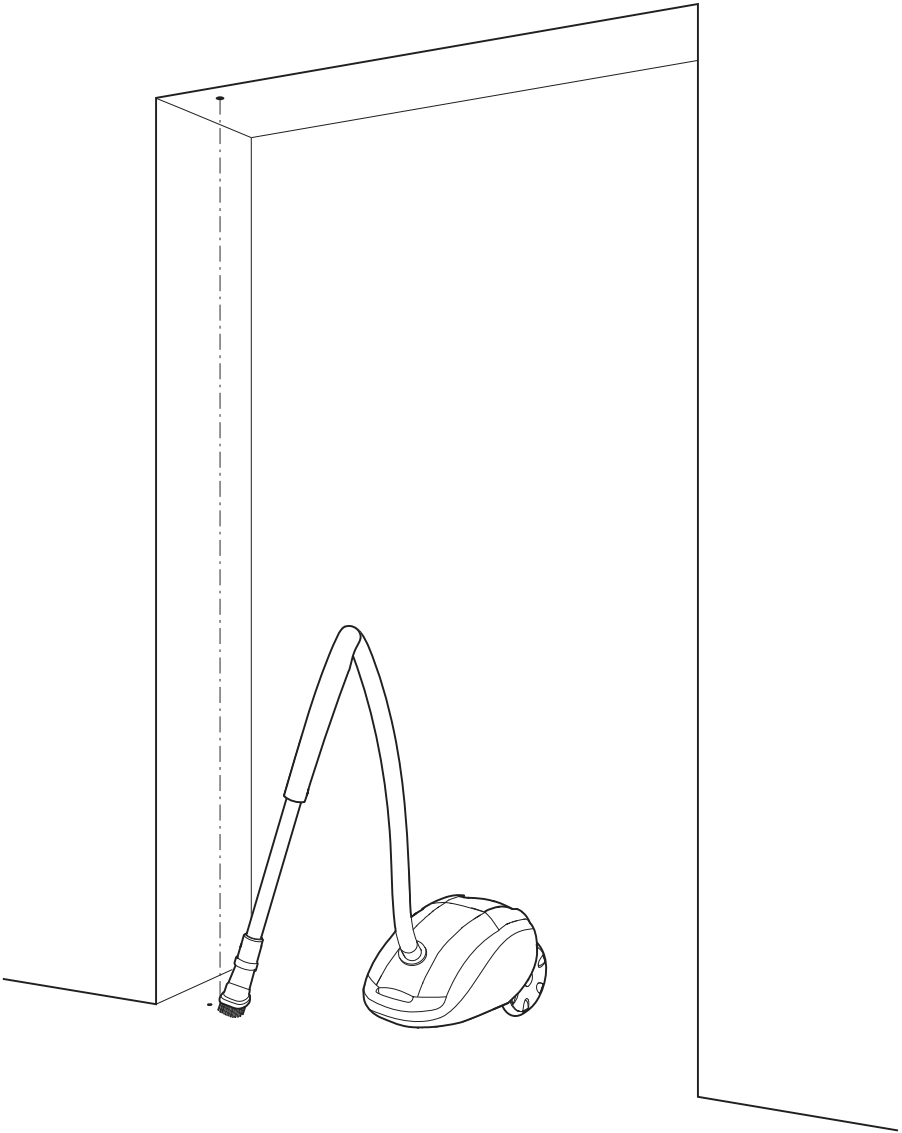


30 mm (13/16")



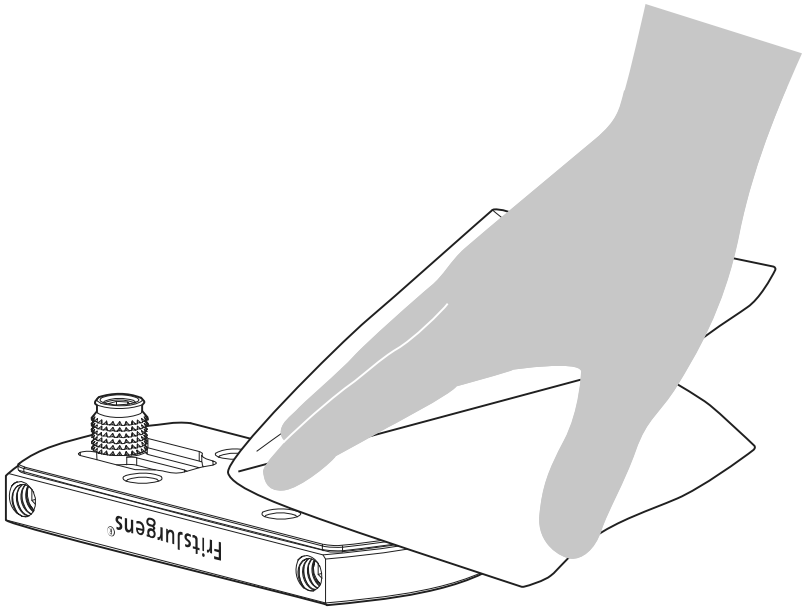
30 mm (13/16")



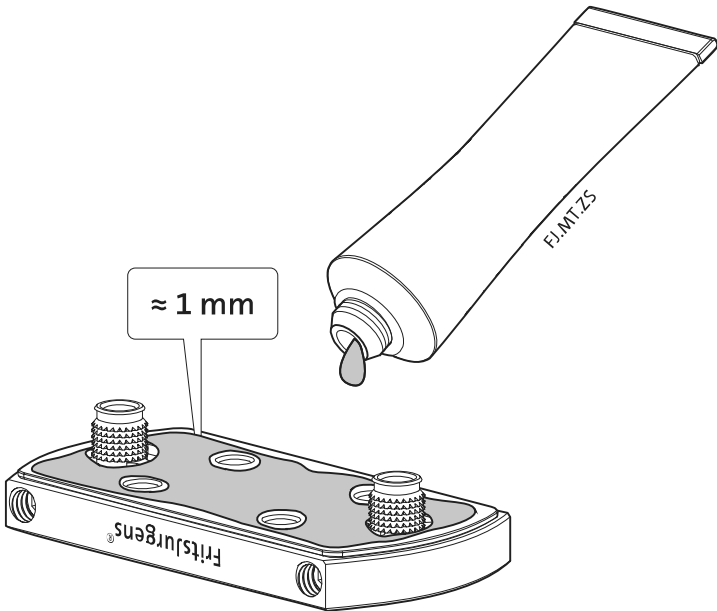


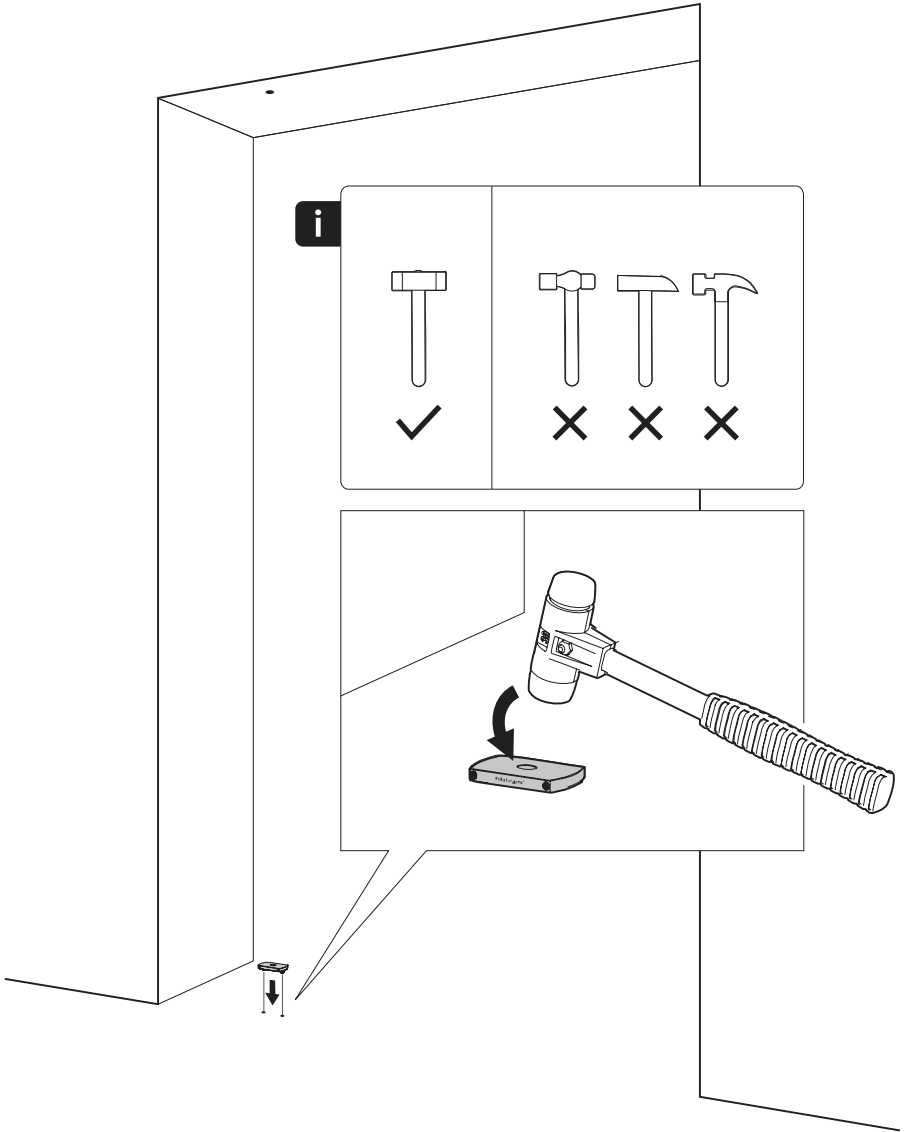


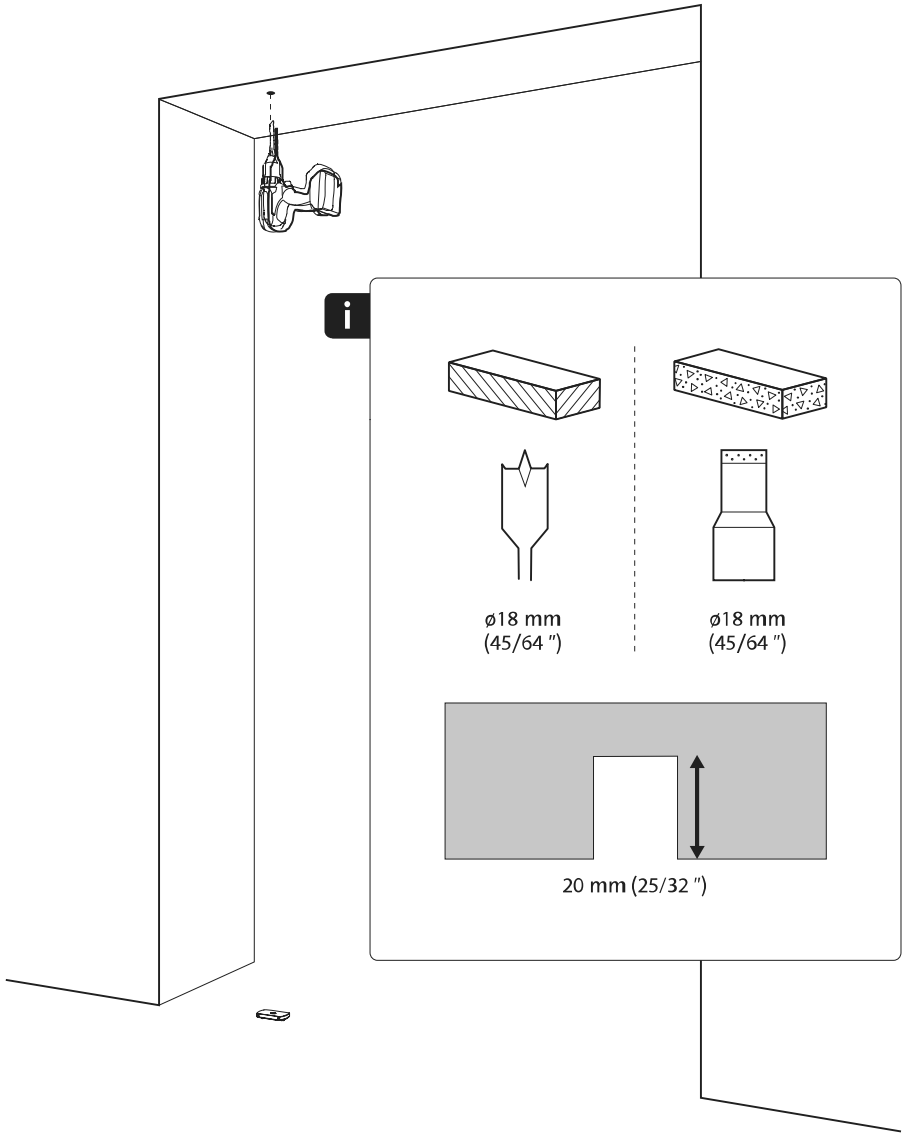
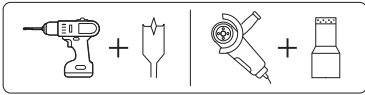
1



2

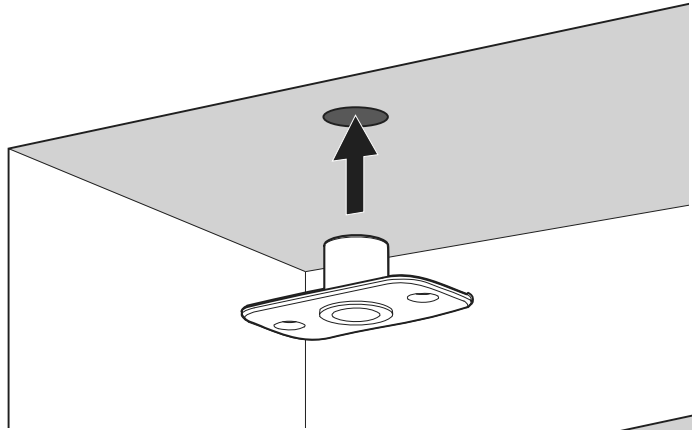




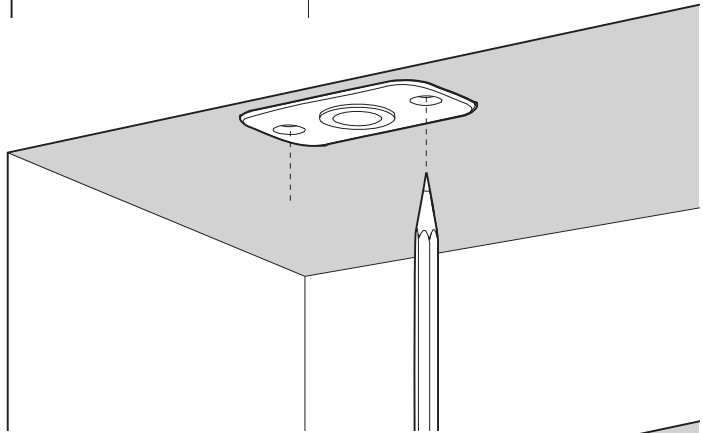




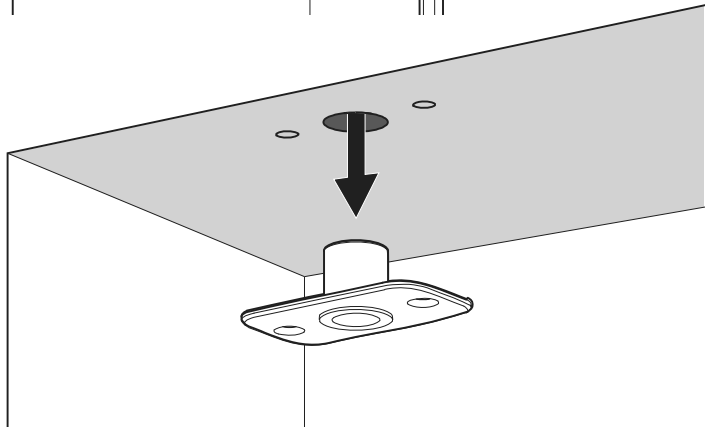
1



2

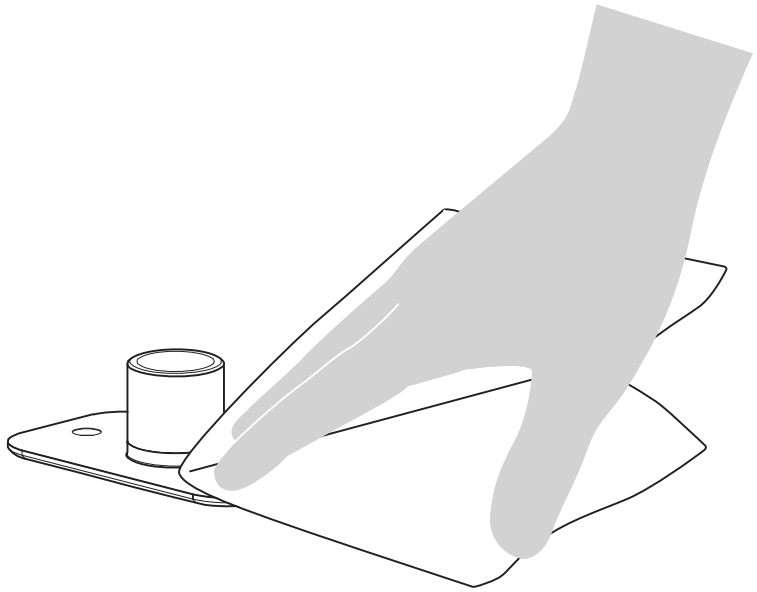


3

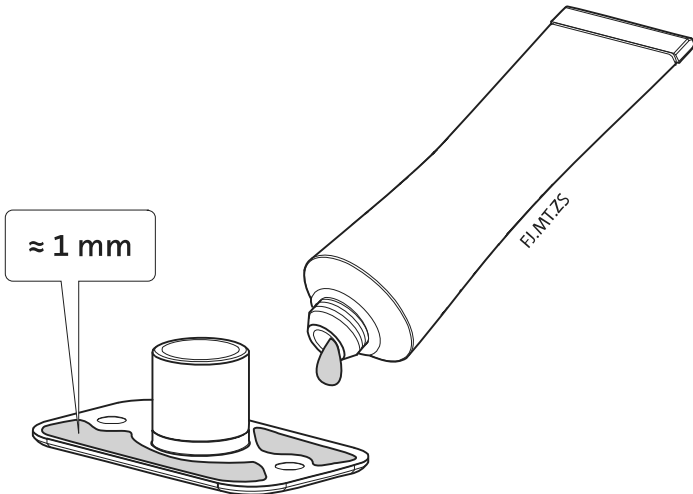


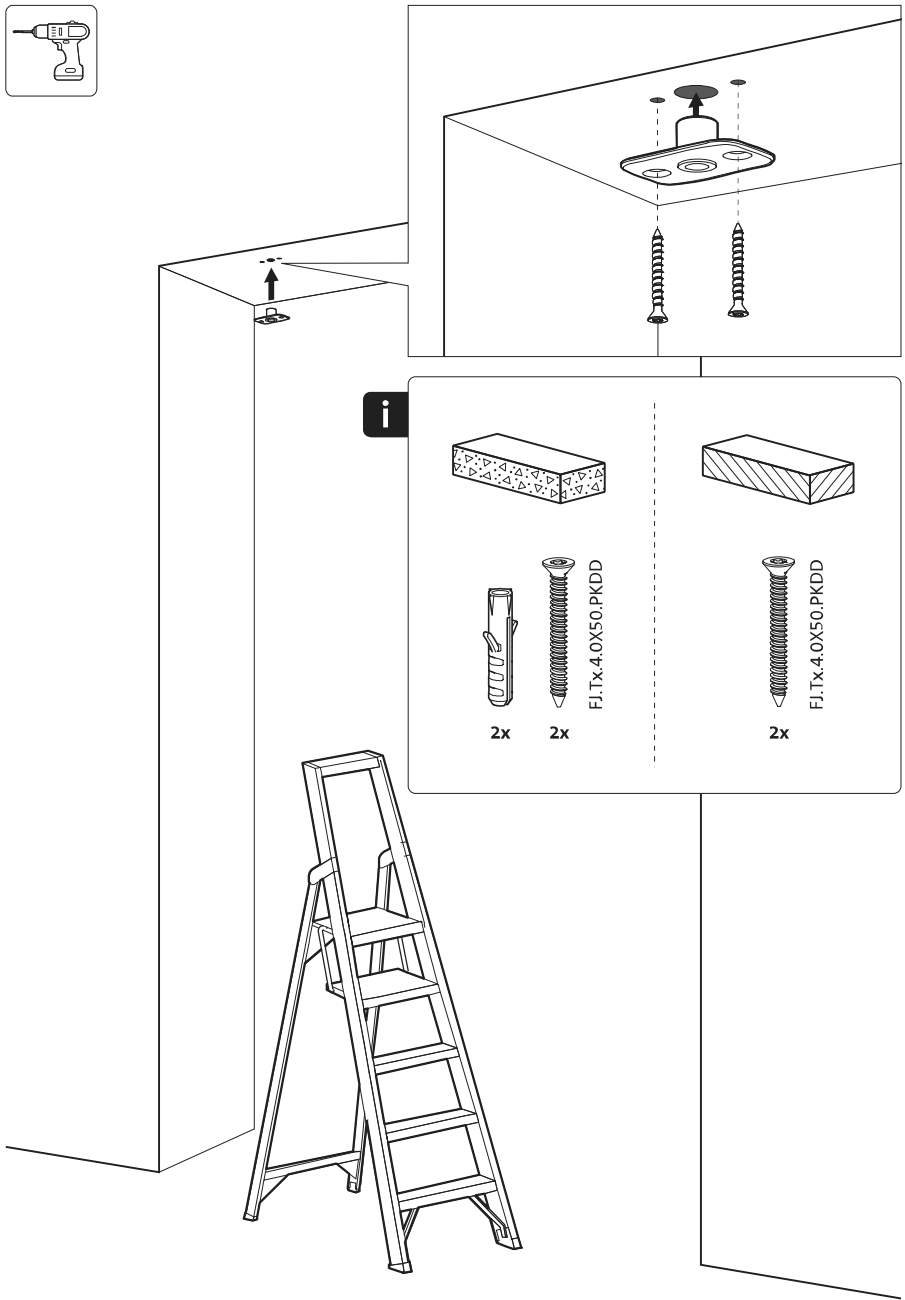


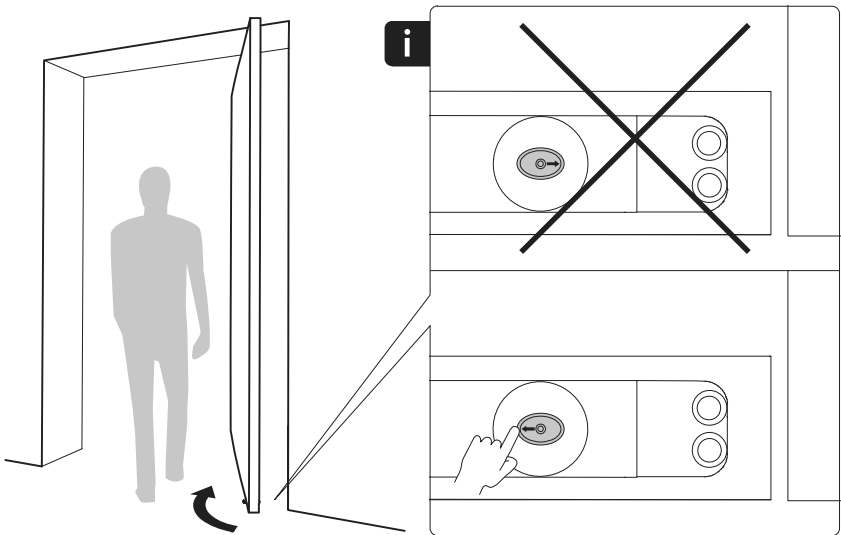
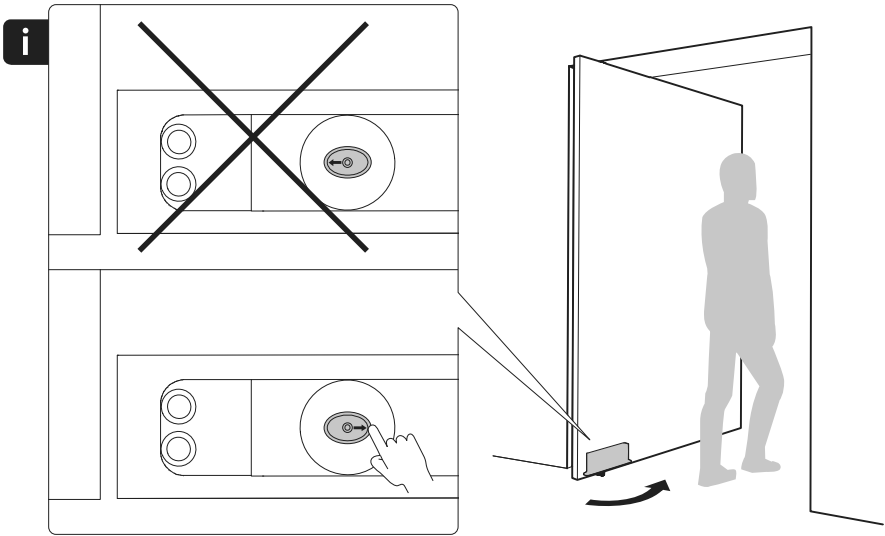
1

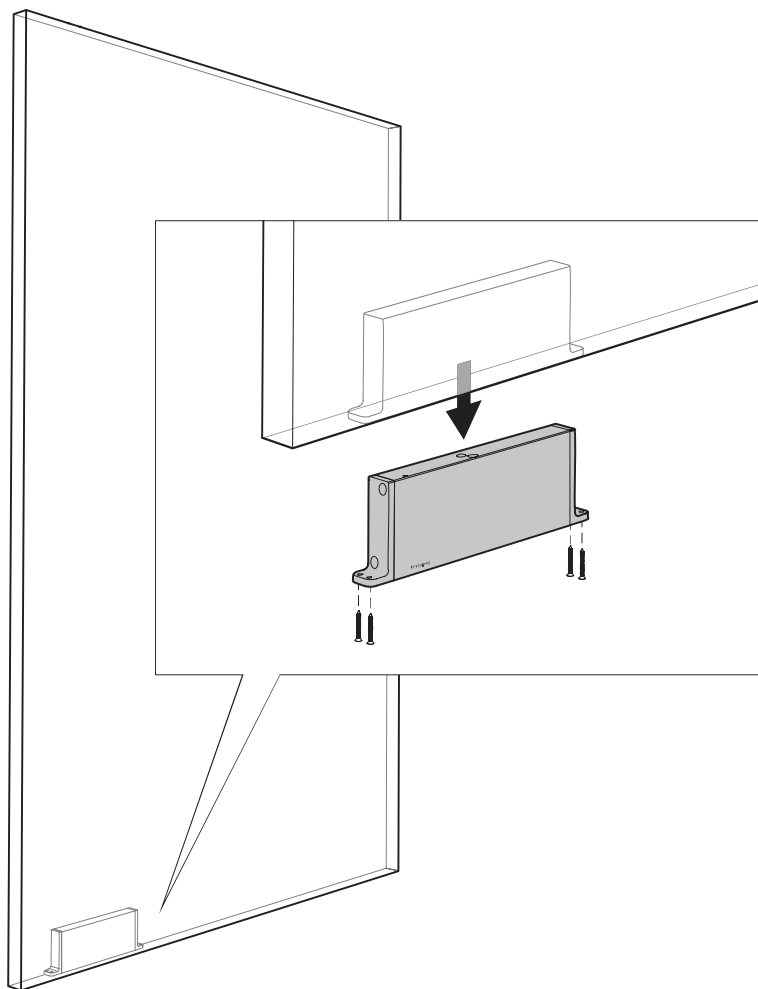


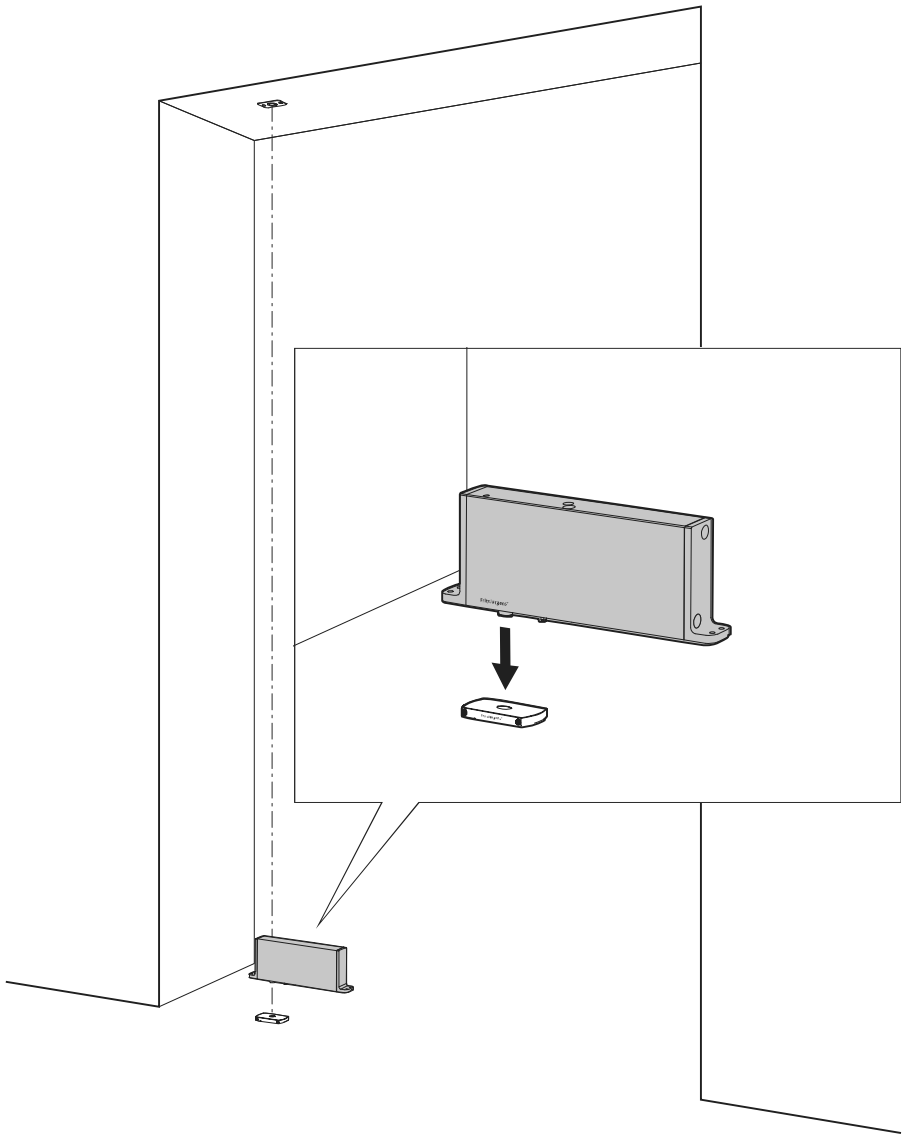
2

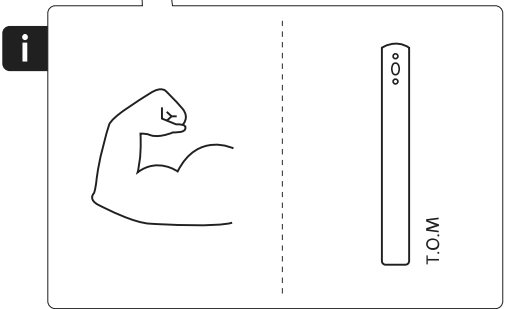
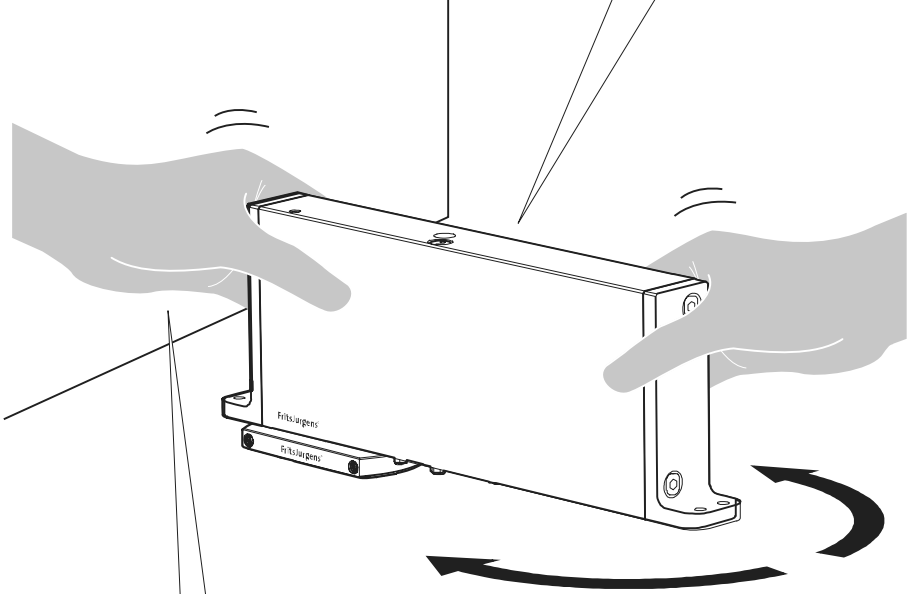
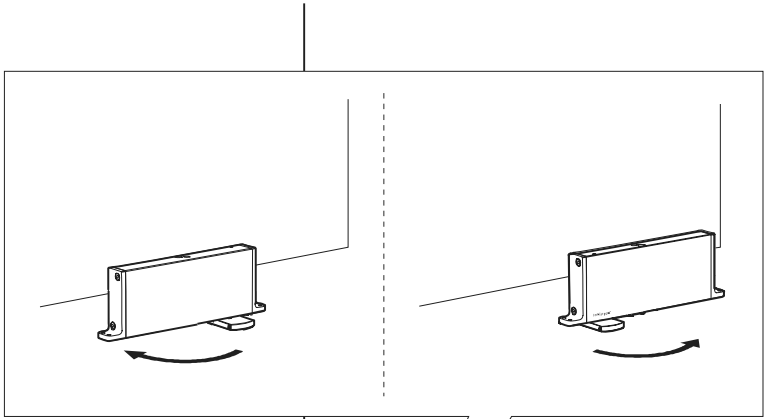


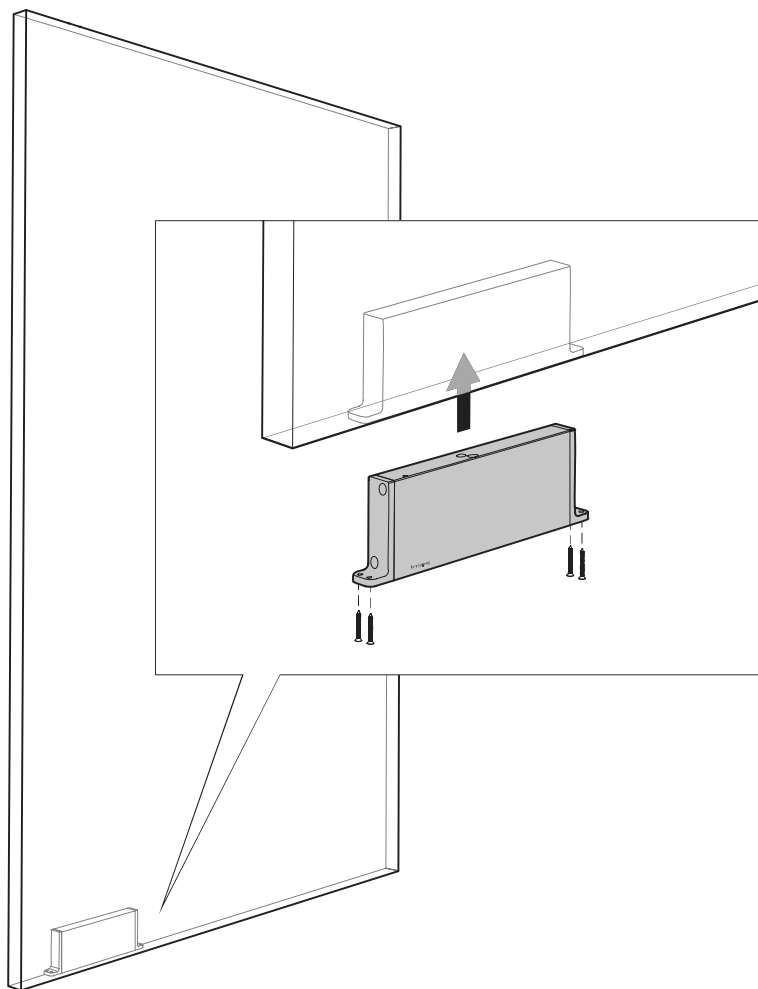


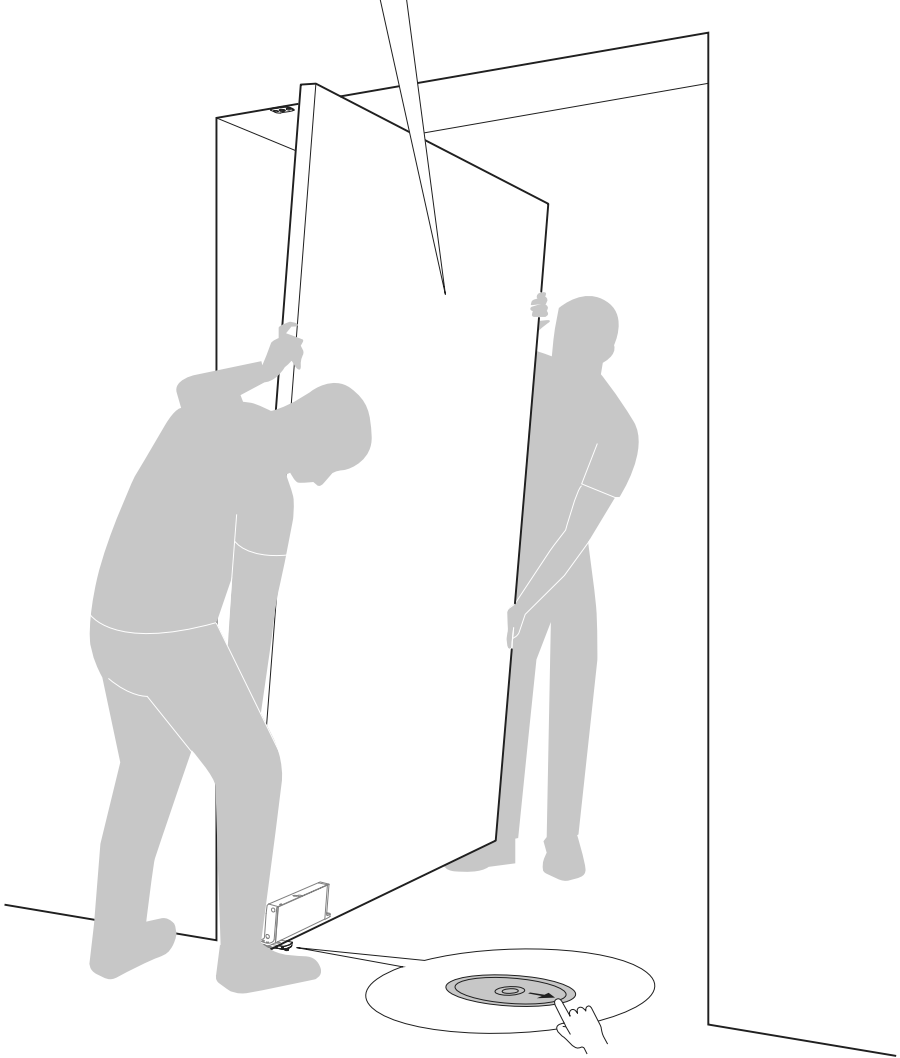
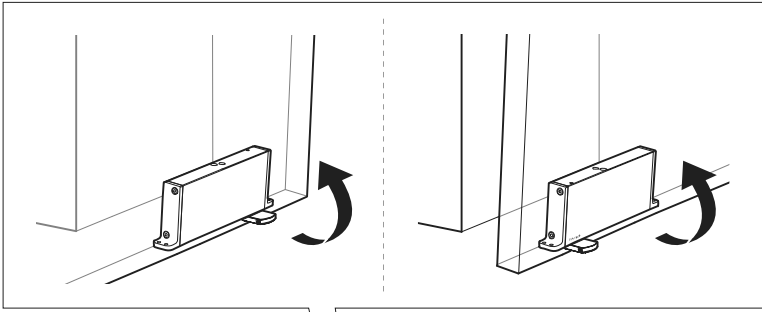


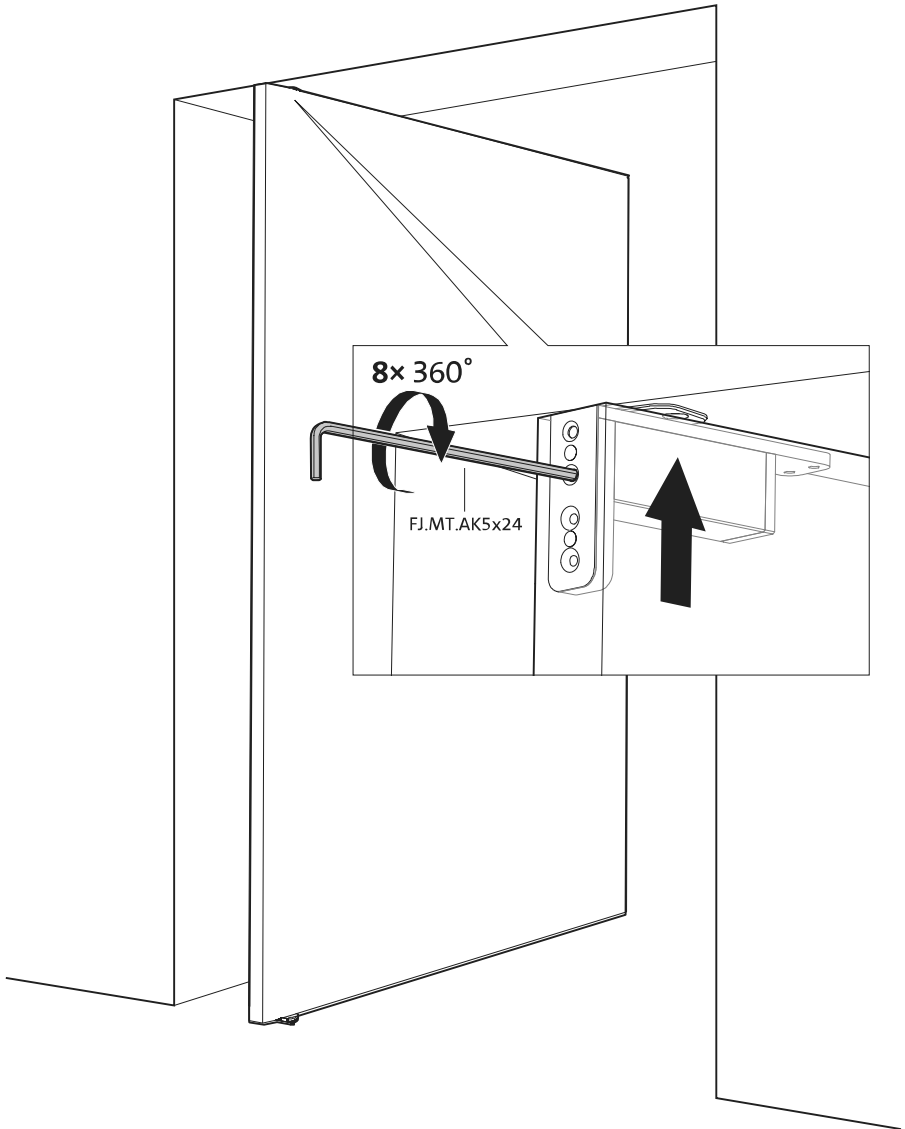
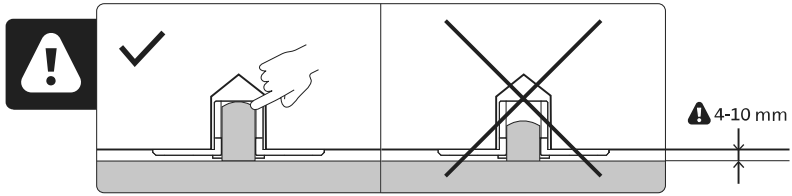


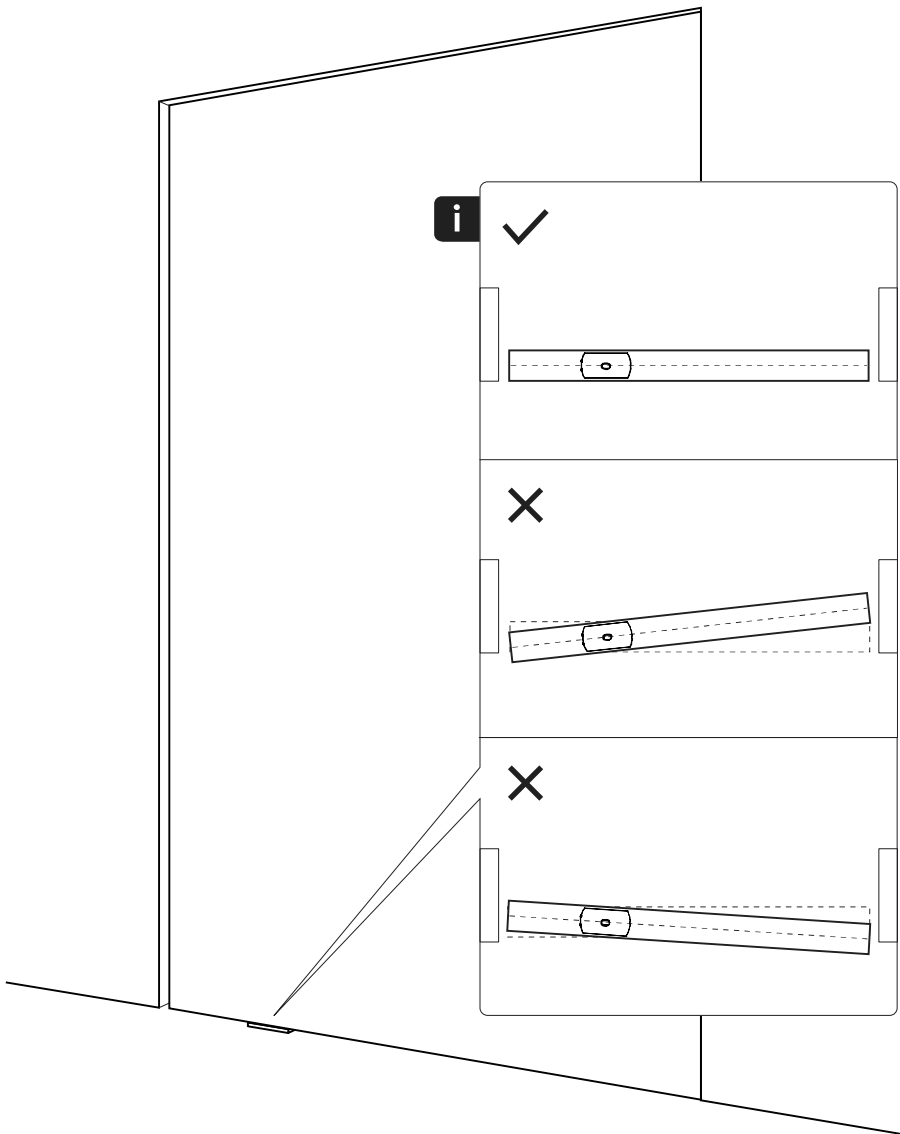


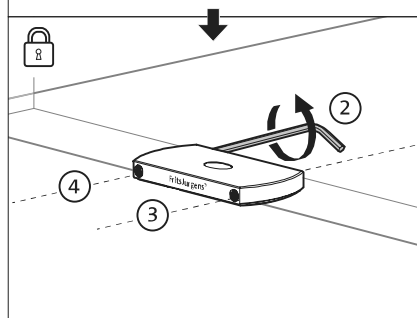
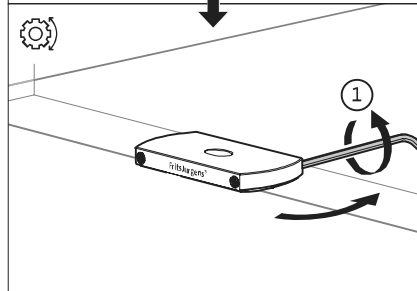
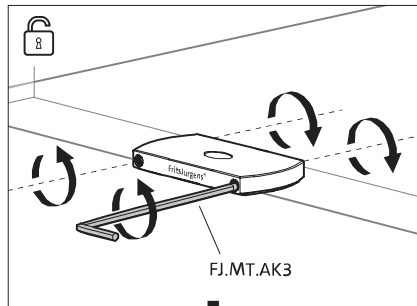
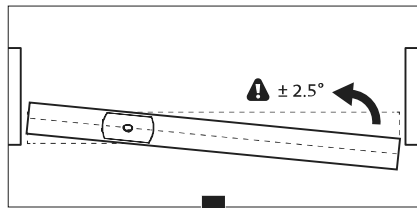
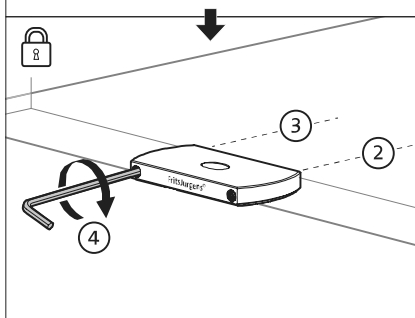
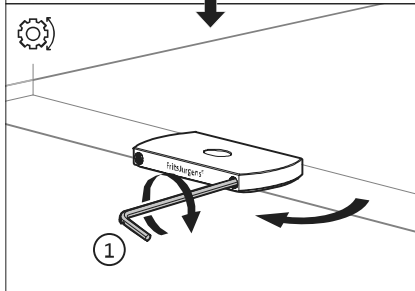
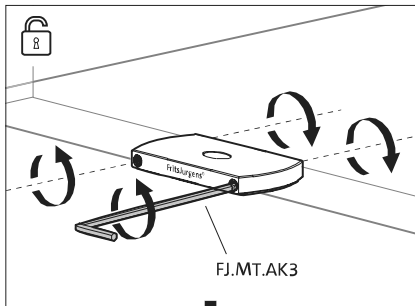
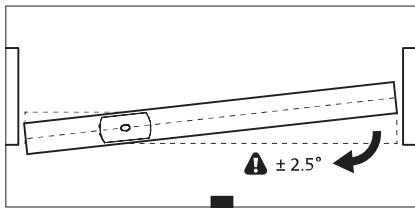


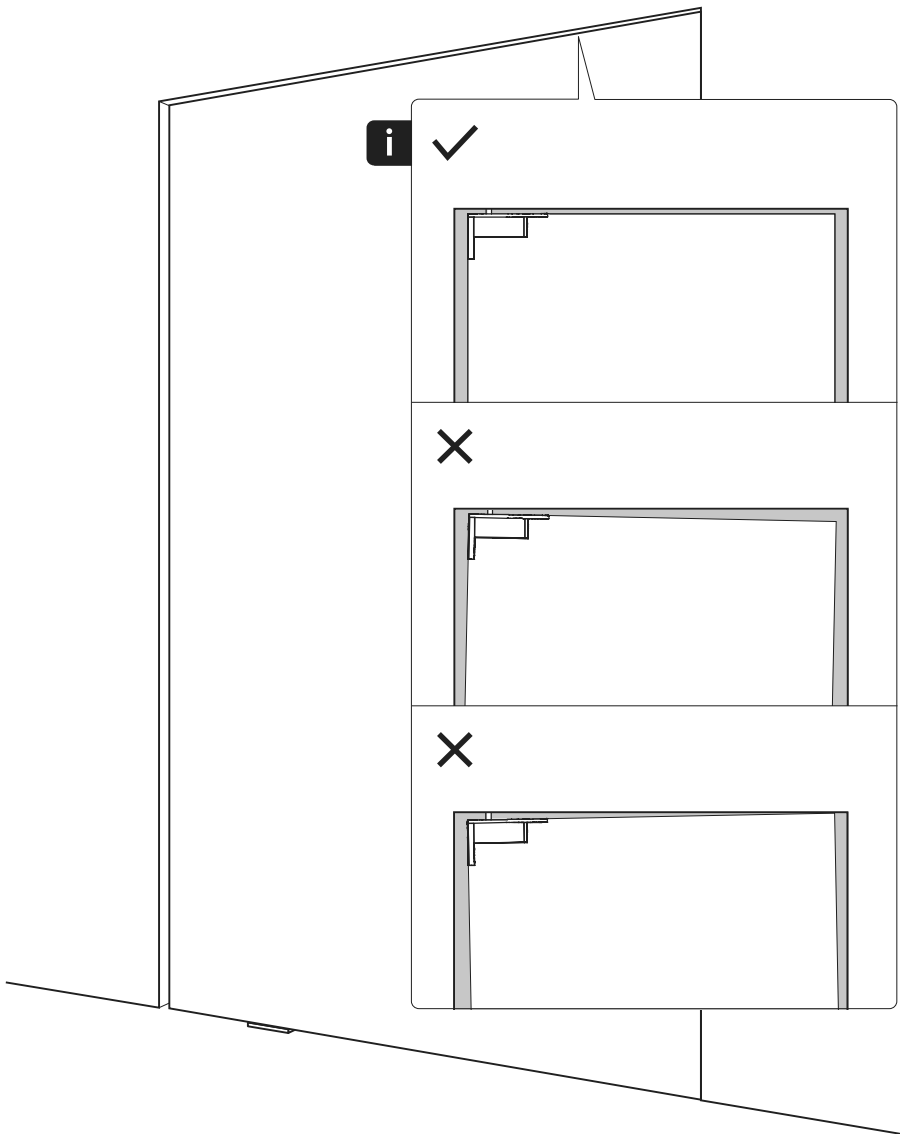


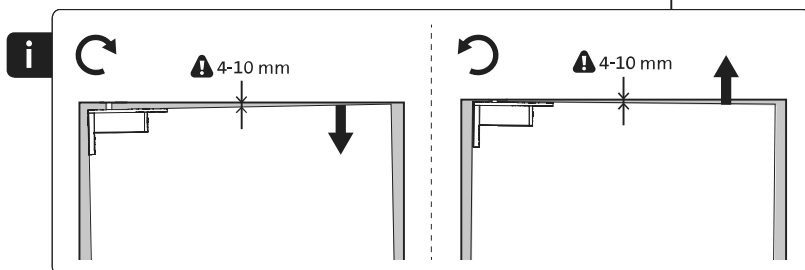
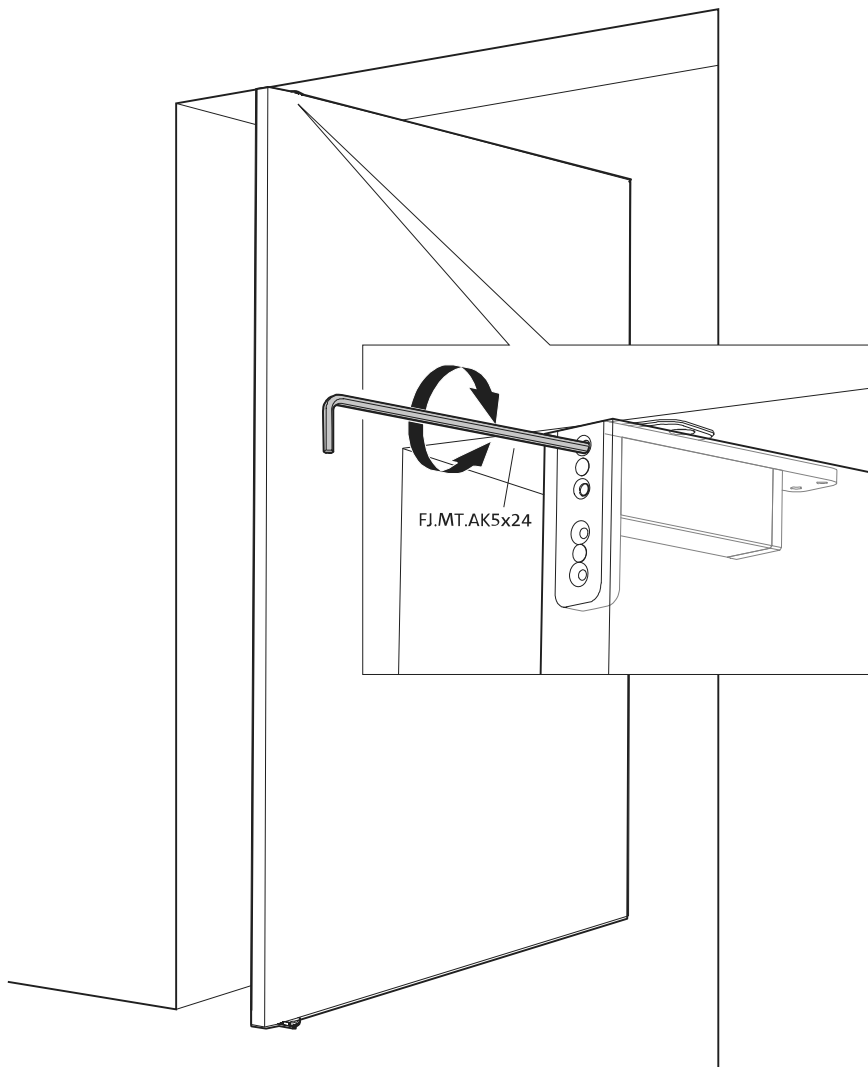


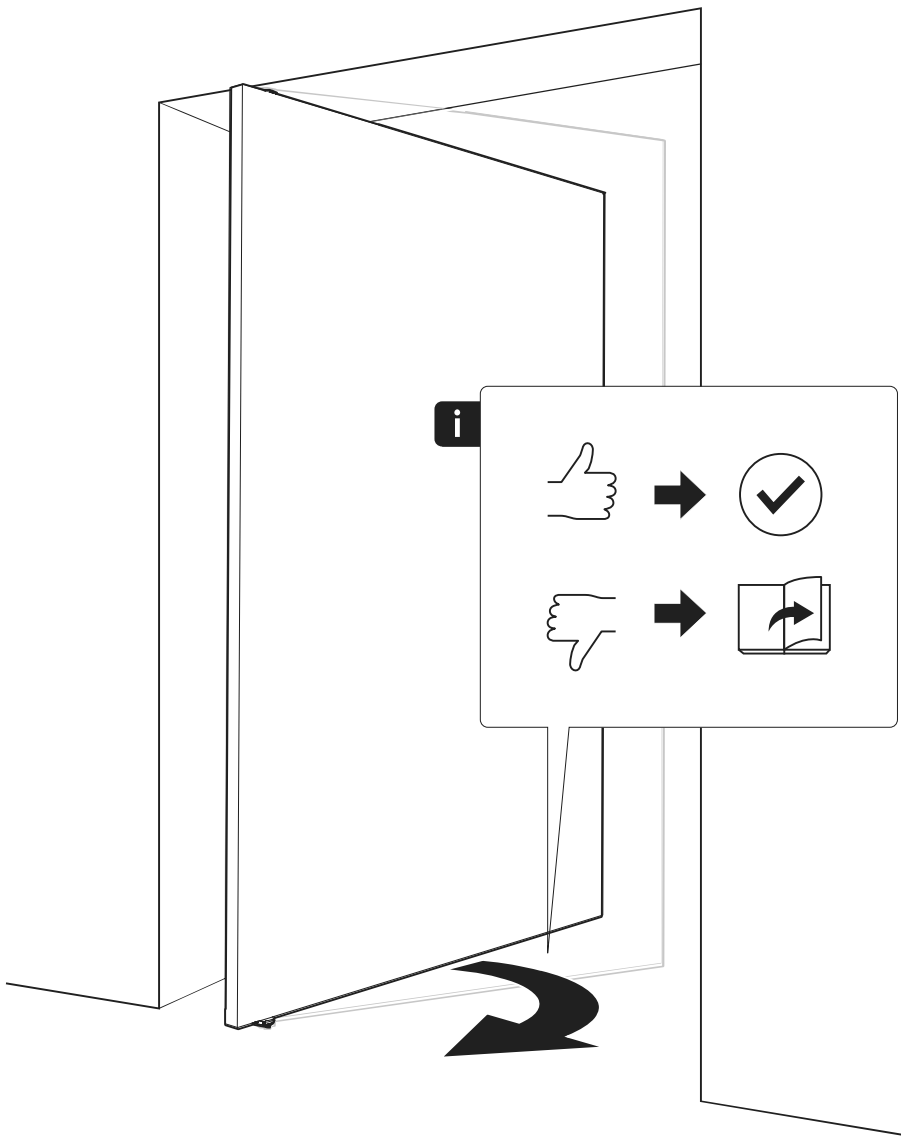


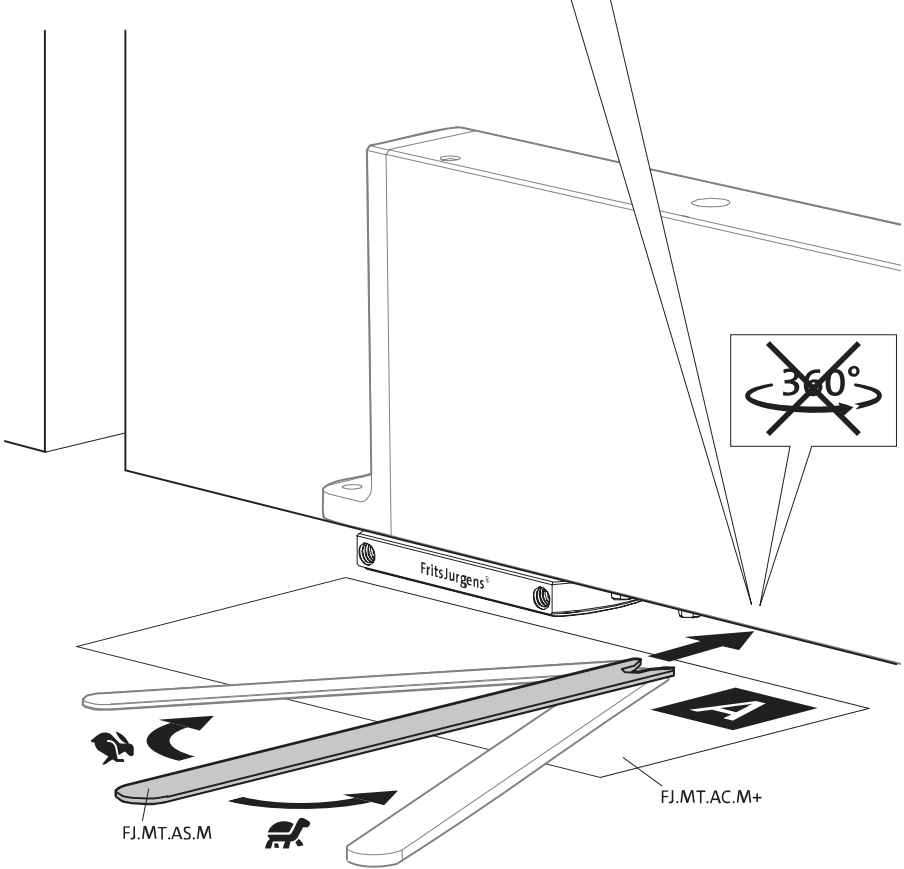
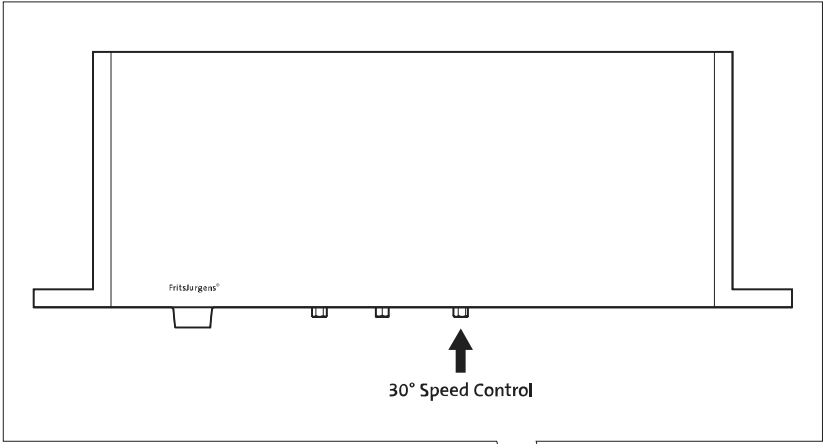




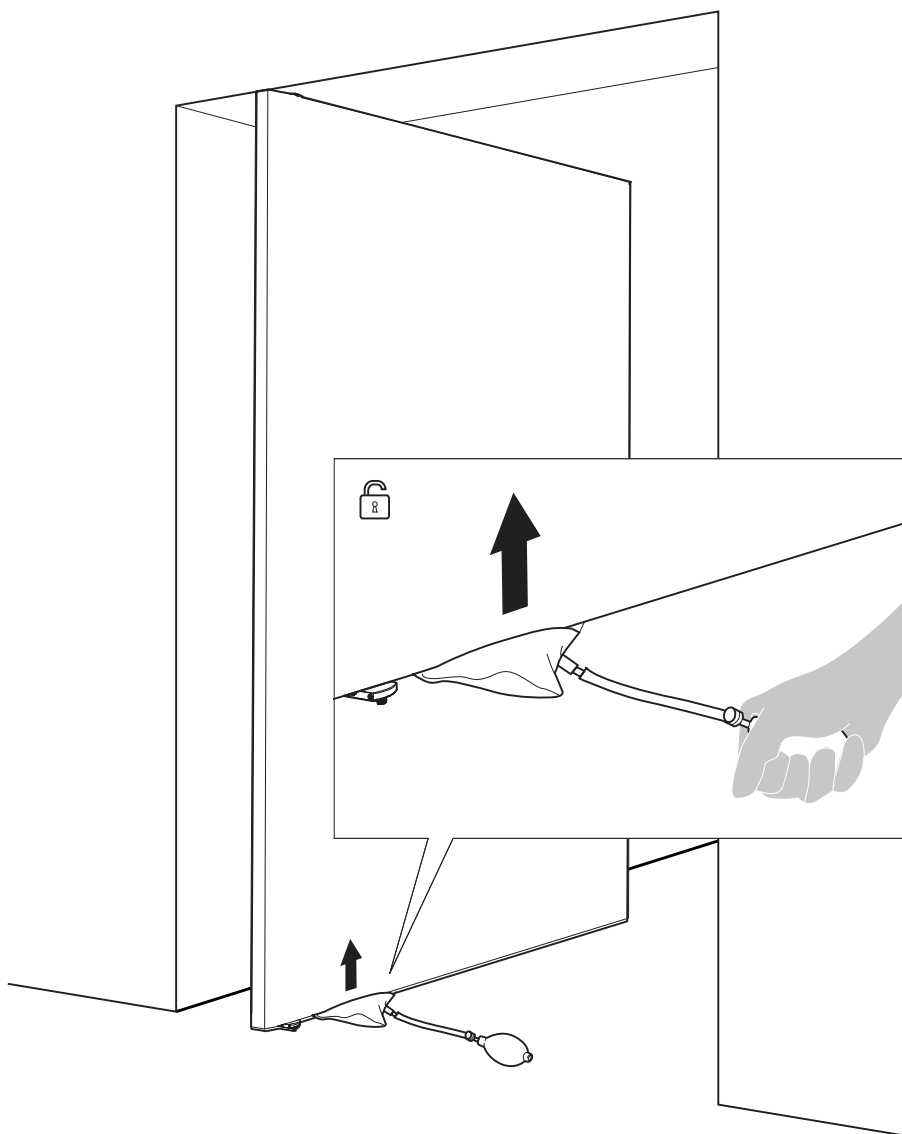


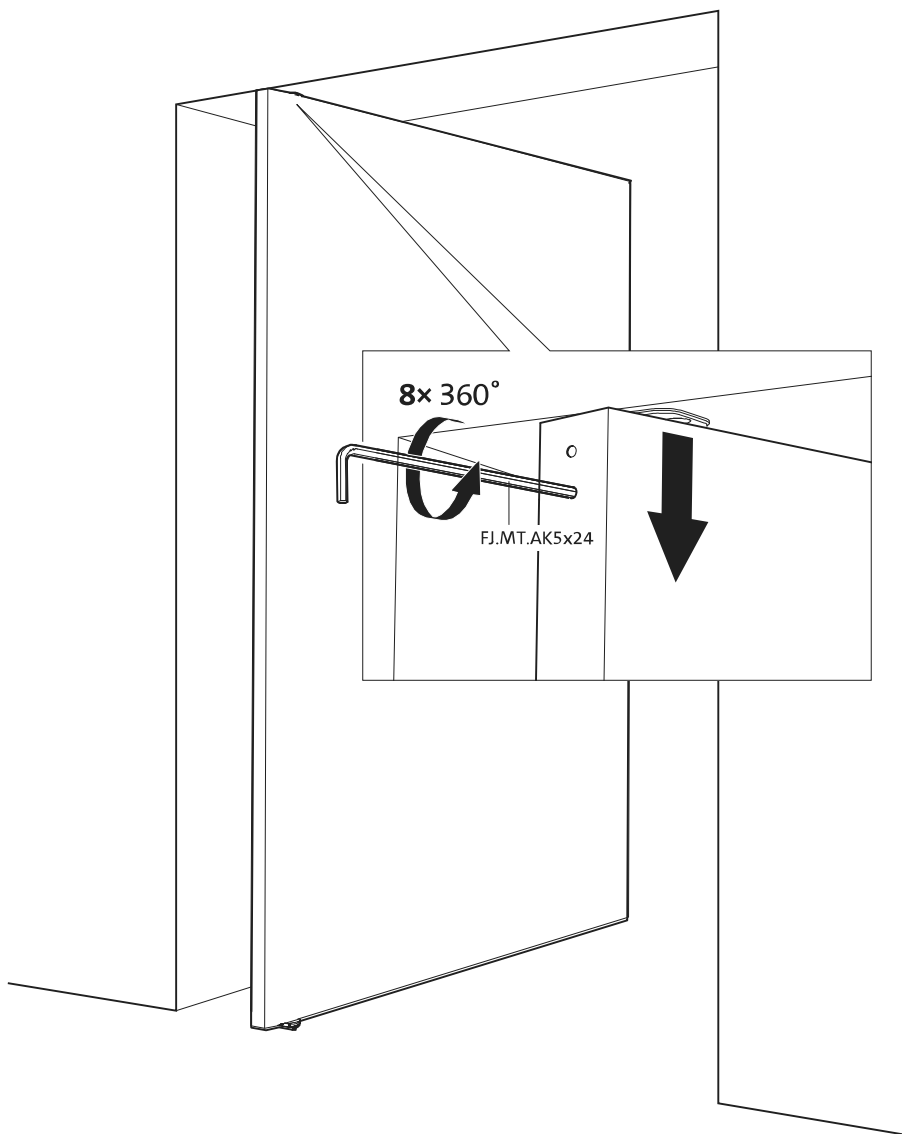


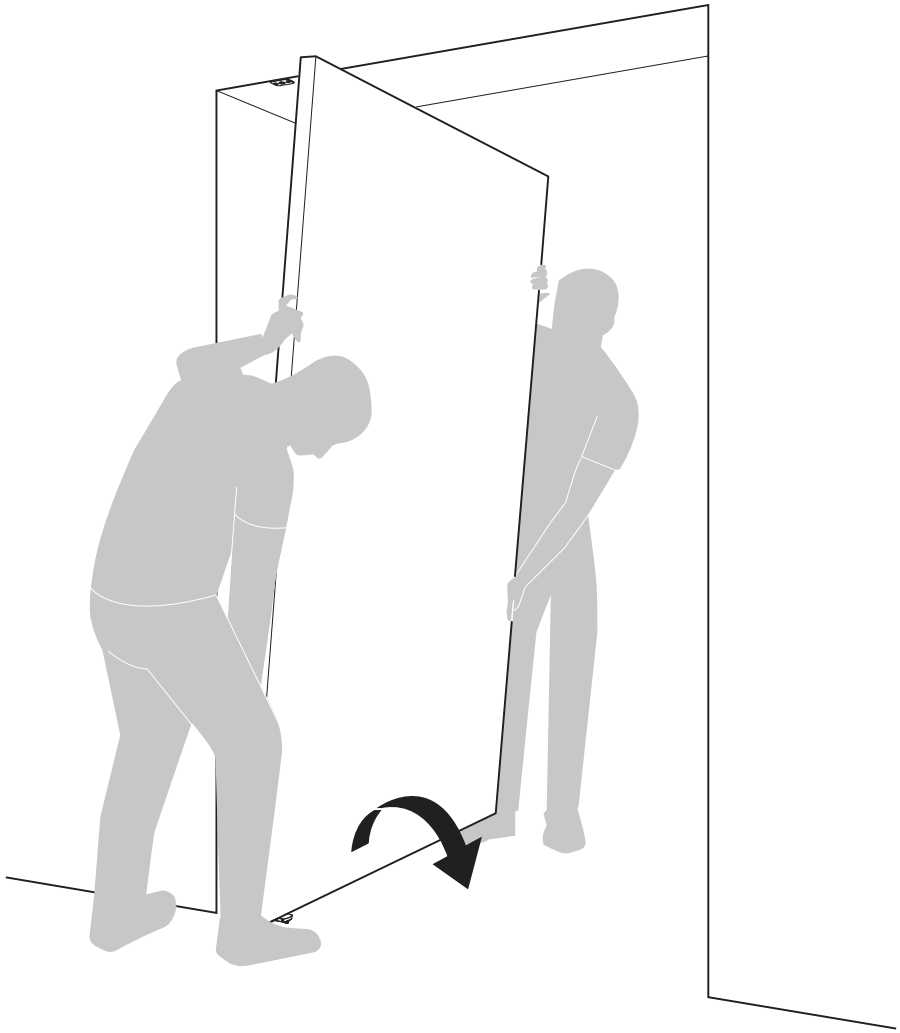




Disassembly instructions







FritsJurgens International

A. Einsteinlaan 1
The Netherlands
9615 TE Kolham
+31 598 343 410
info@fritsjurgens.com

FritsJurgens Dubai Branch

DLC-OP-A2-4-0029
Dubai South
Dubai
United Arab Emirates
+971 4 820 8106
+971 58 137 2611
dubai@fritsjurgens.com
fritsjurgens.com

Copyright © FritsJurgens®
B.P.M.40.C.X.SS



