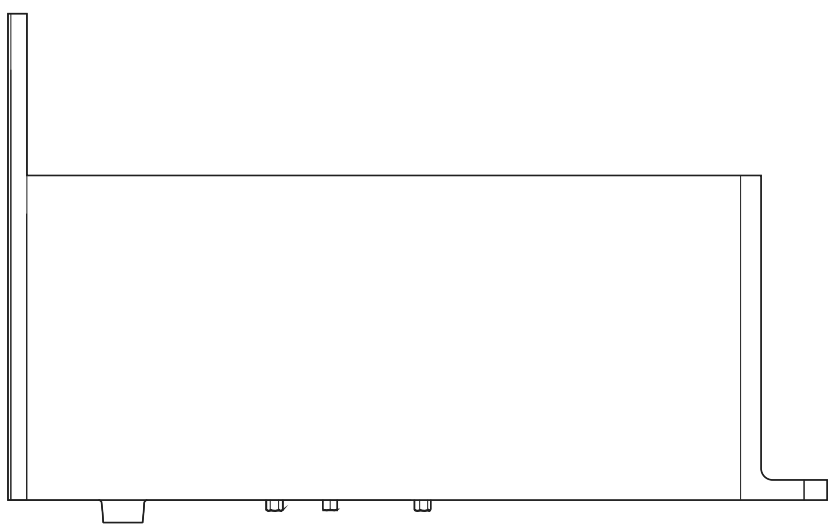


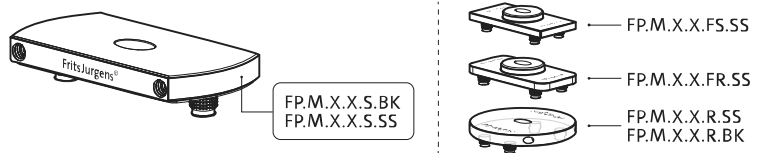
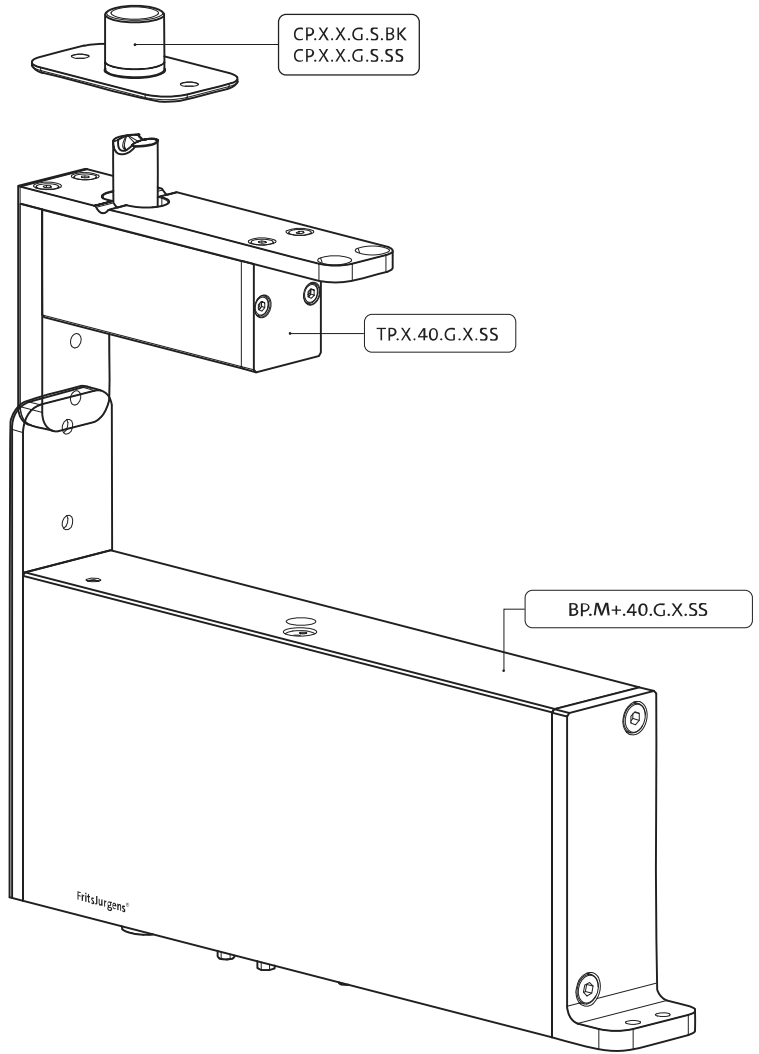
# System M+

## Milling and mounting manual

FritsJurgens Set - 40 mm Class G - stainless steel



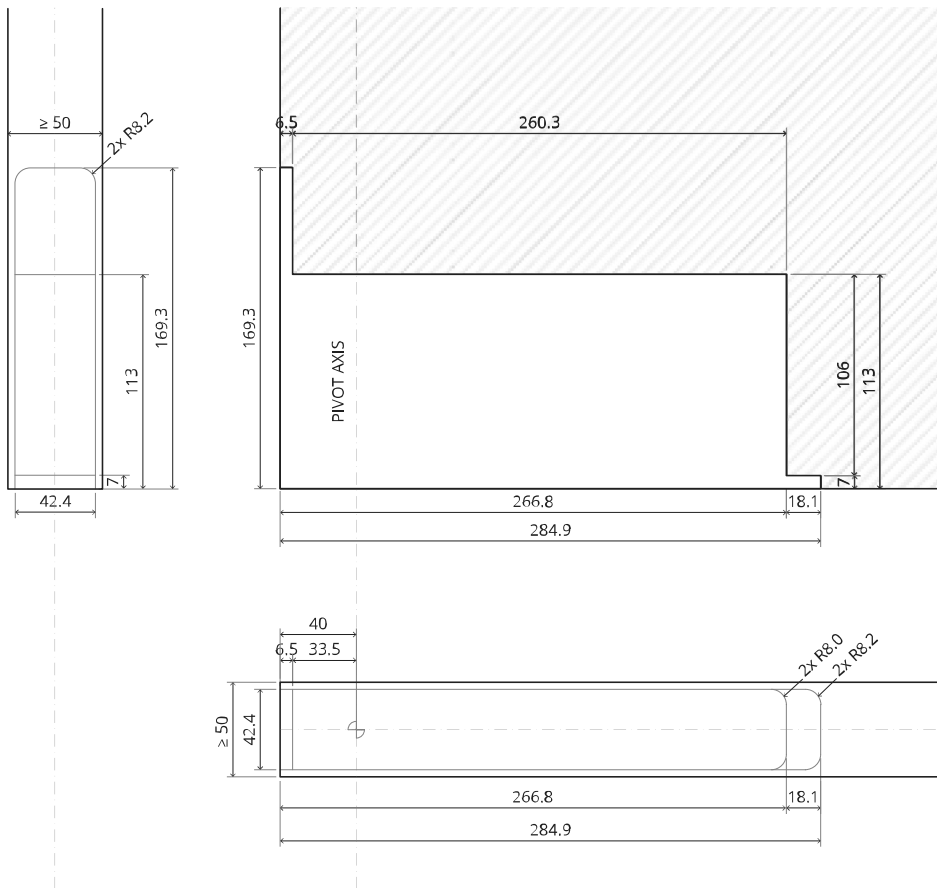






# Milling instructions

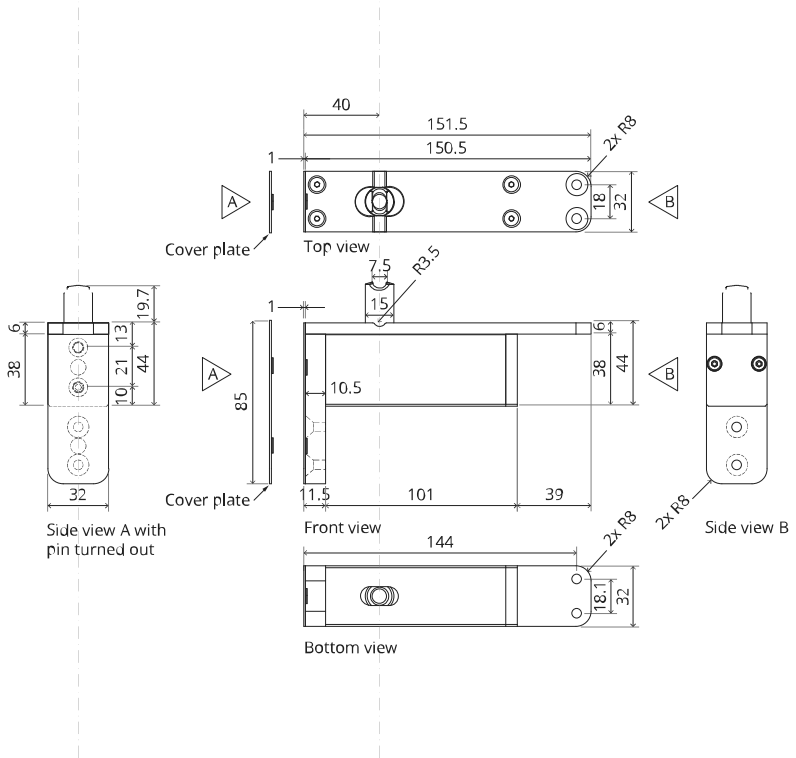
# BP.M+.40.G.X.SS



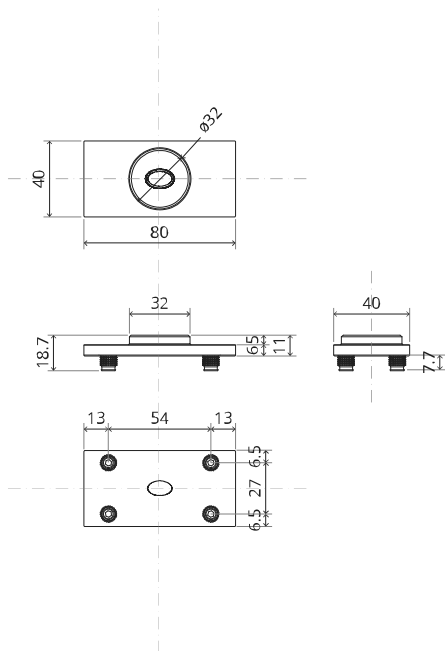
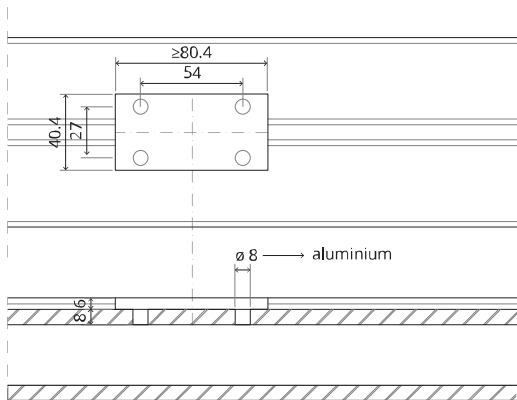


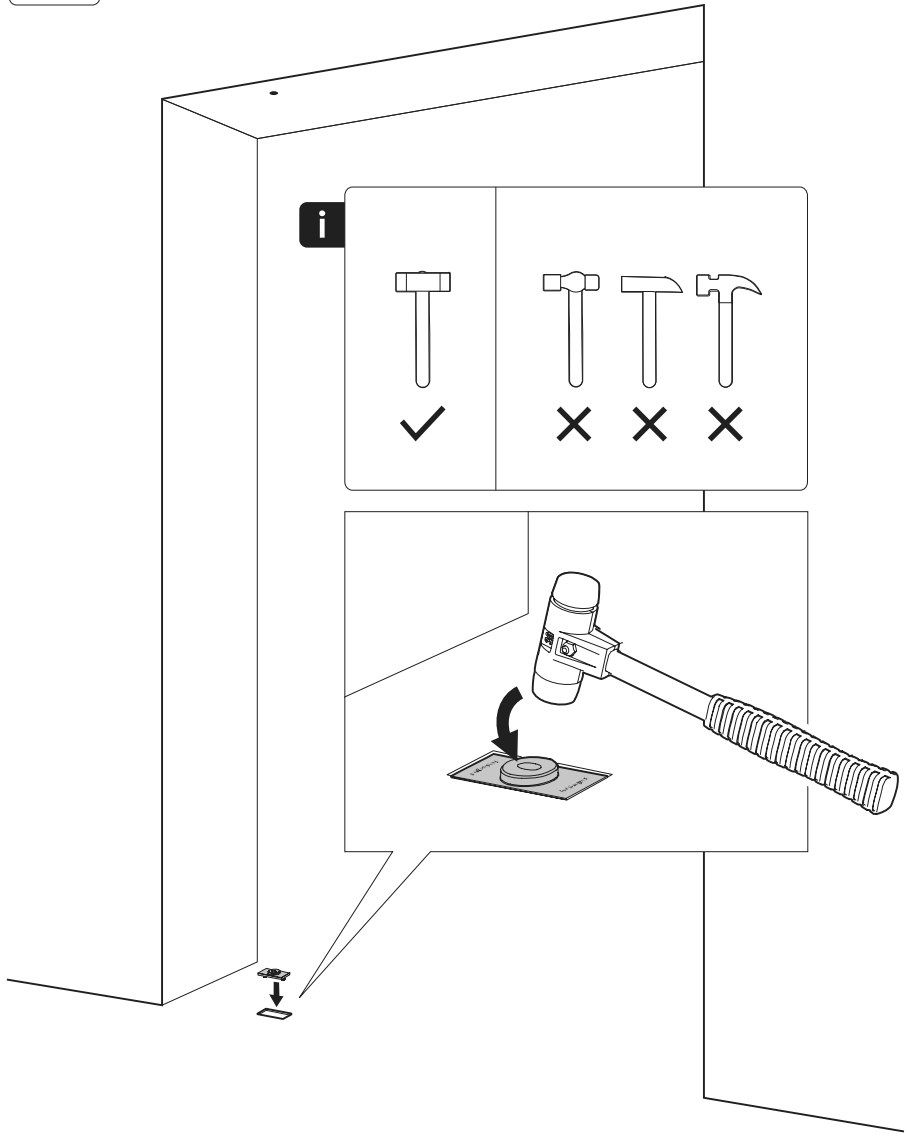




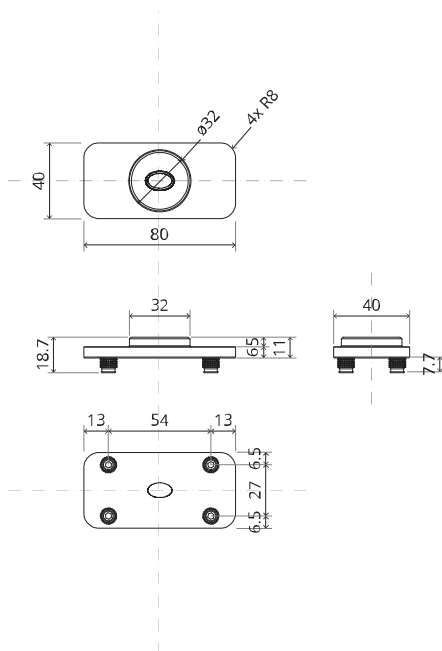
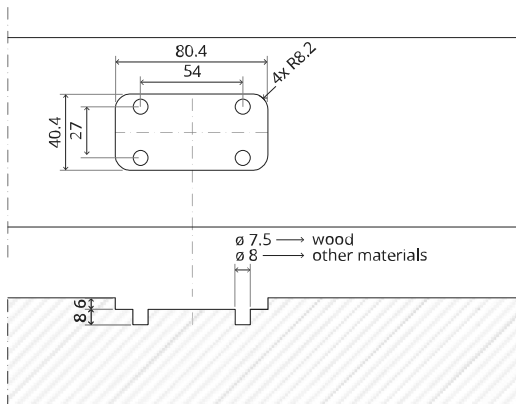


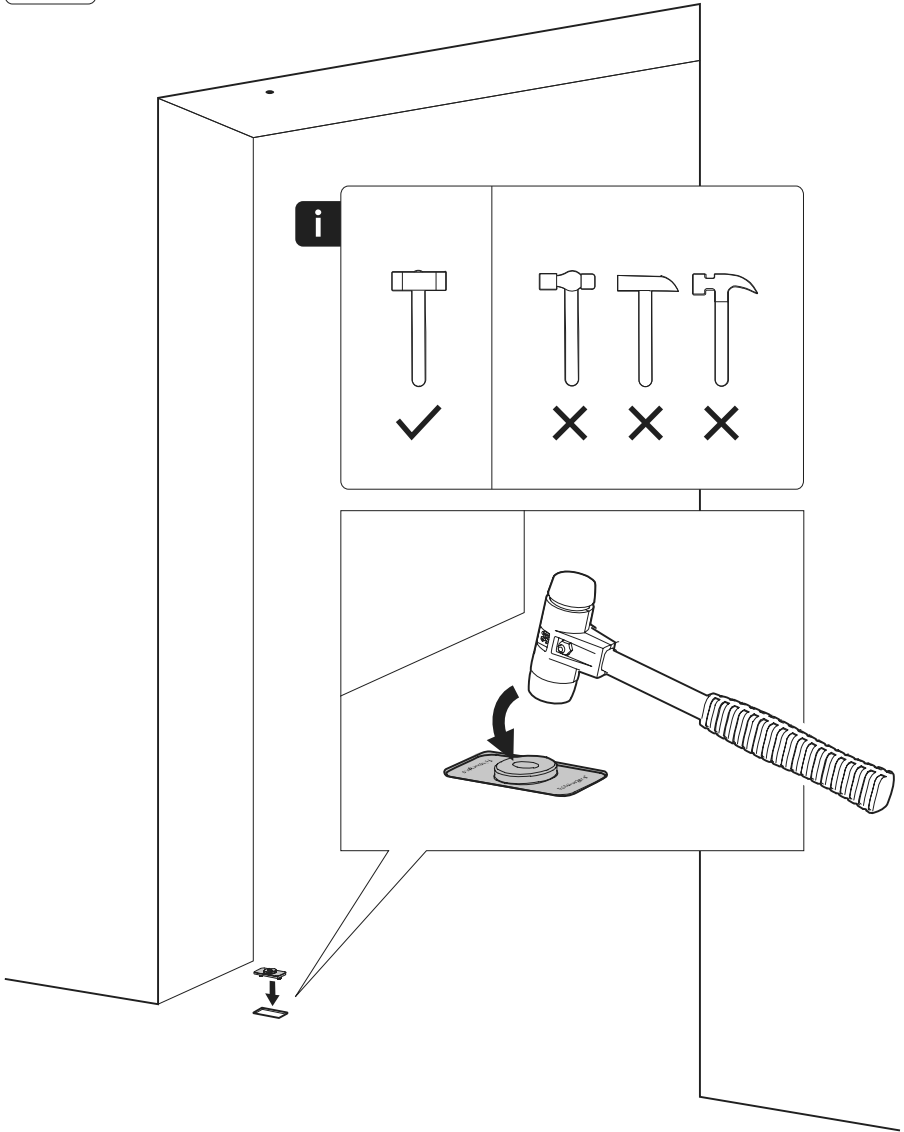
# FP.M.X.X.FS.SS





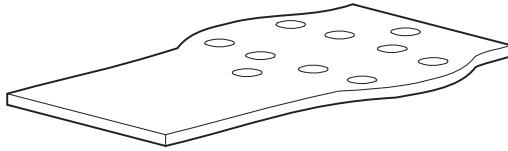
# FP.M.X.X.FR.SS







# Mounting instructions



FJ.MT.DT.M



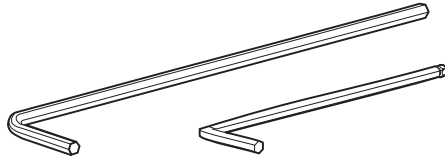
FJ.MT.Z5



10x FJ.Tx.4.0X50.PKDD

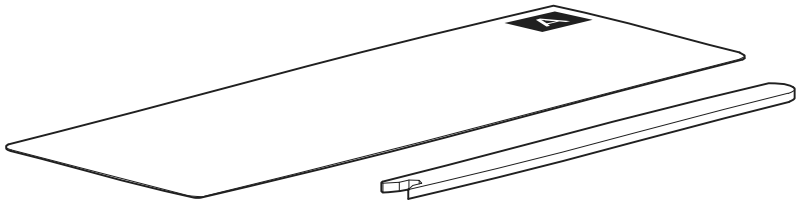


FJ.Bit.Tx20



FJ.MT.AK3

FJ.MT.AK5x24



FJ.MT.AC.M+

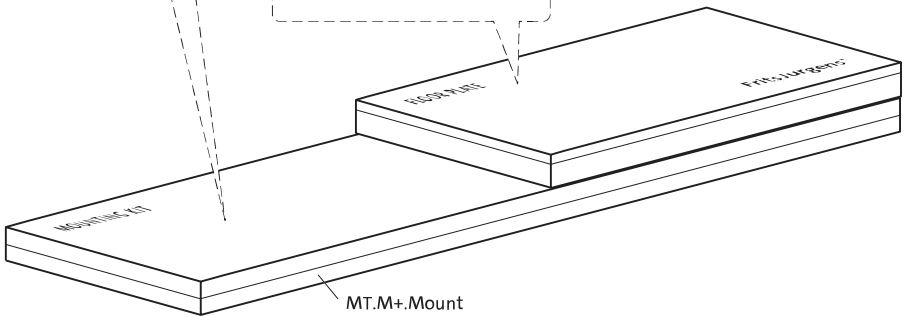
FJ.MT.AS.M



2x FJ.FP.Pe.30

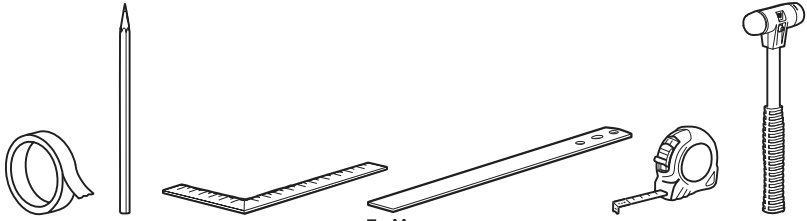


2x FJ.FP.Pe.8

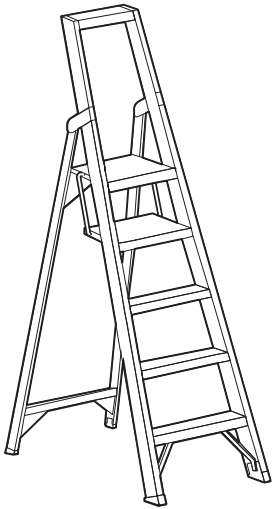
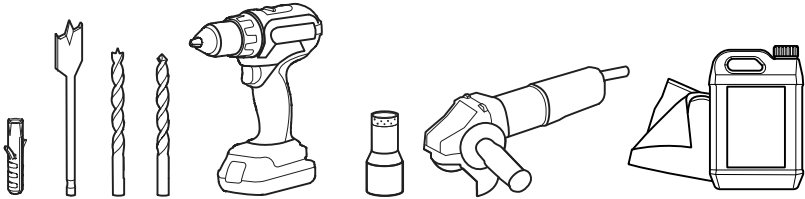


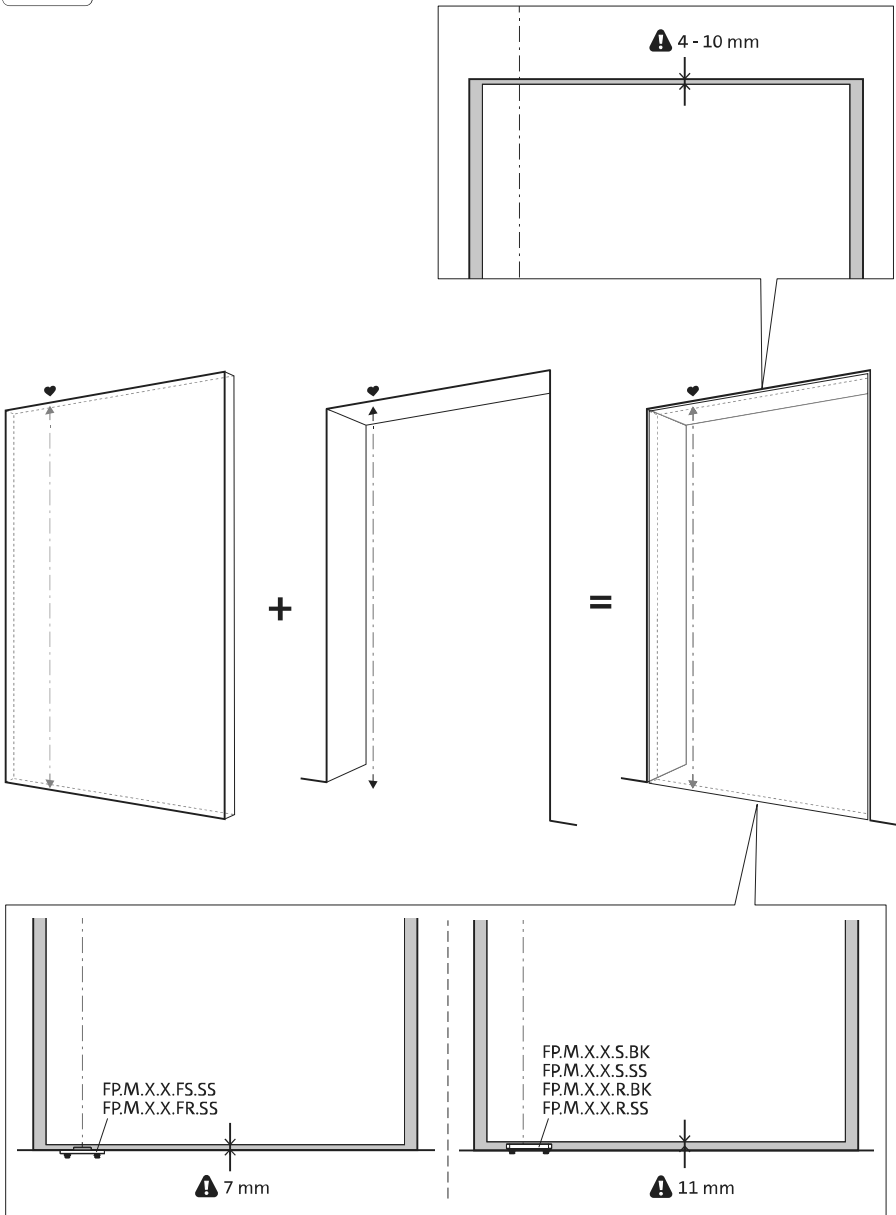
MT.M+.Mount



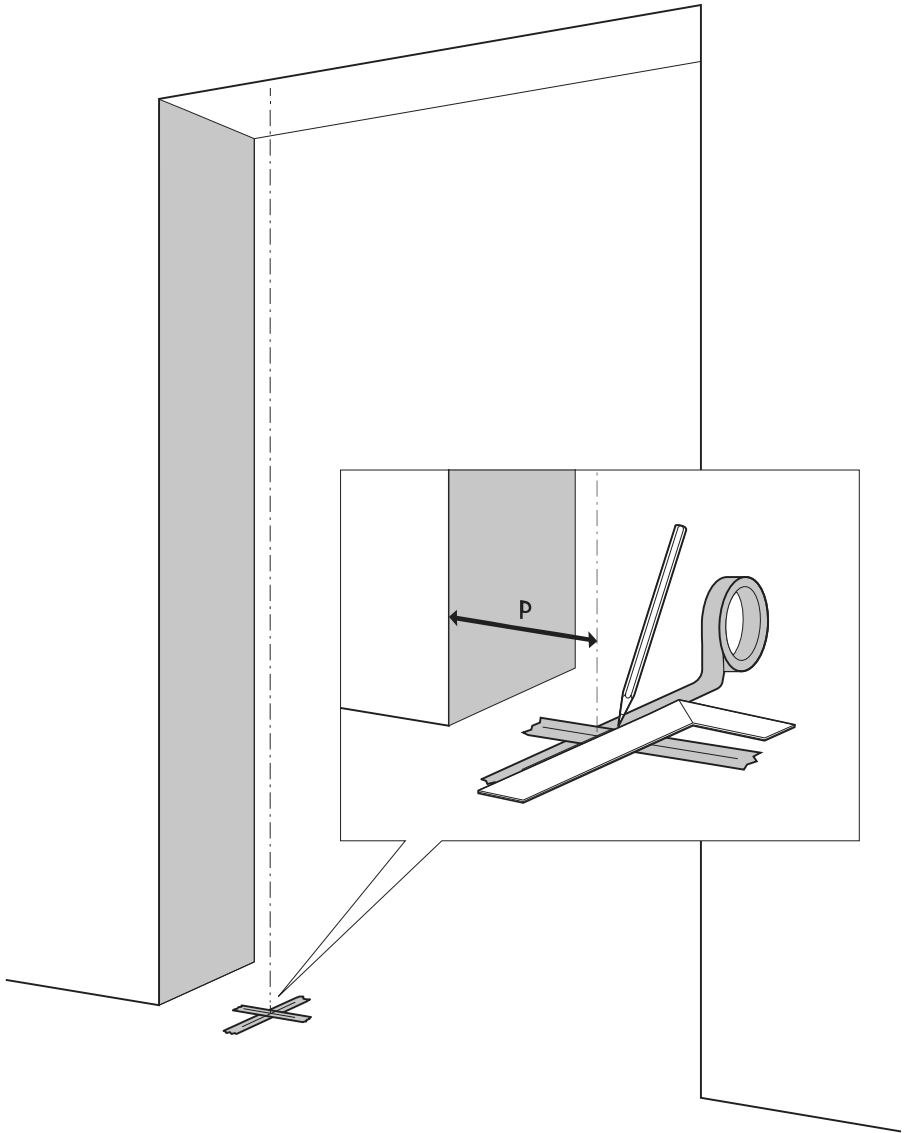


To.M

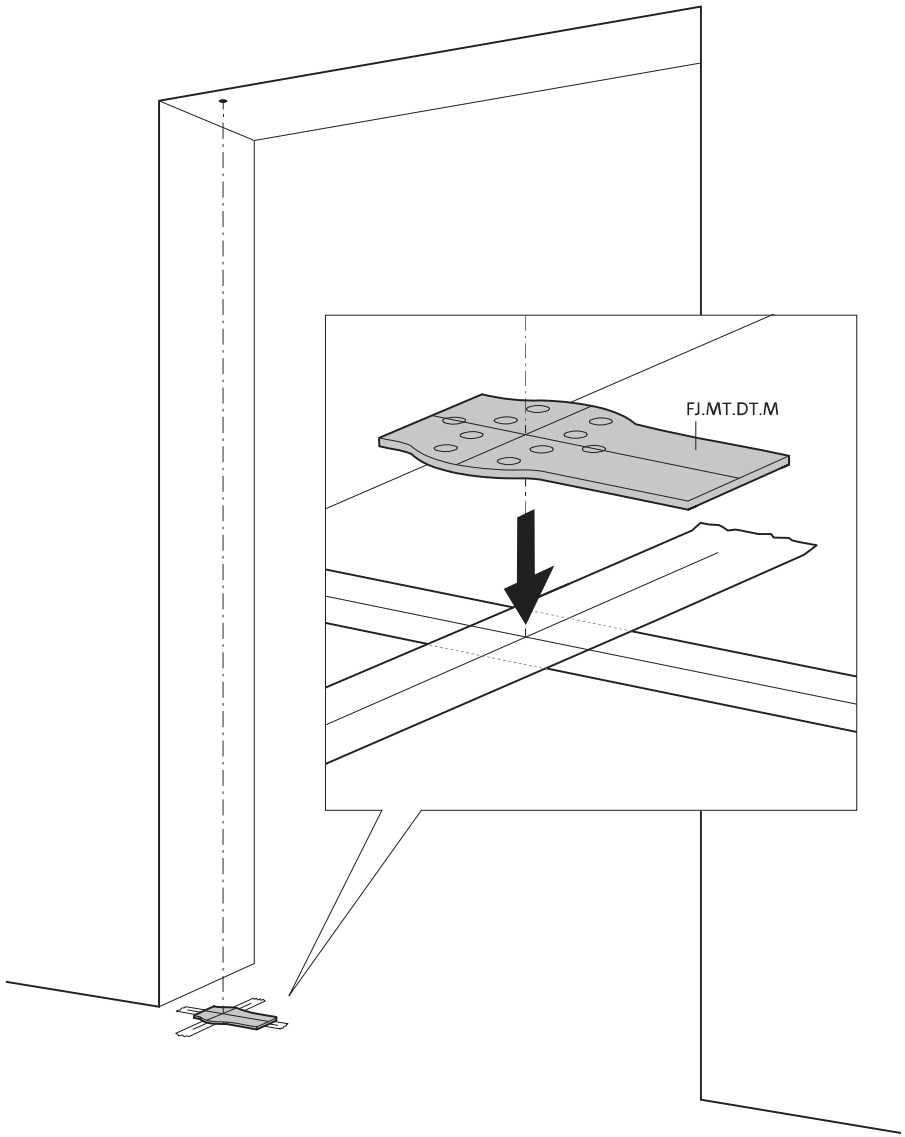


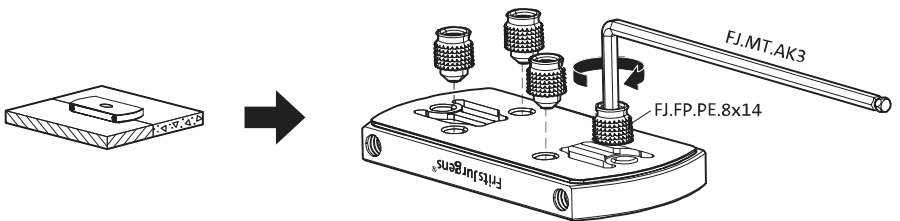
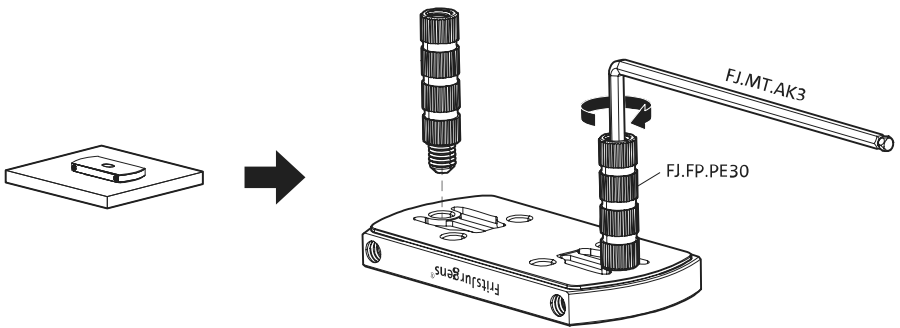
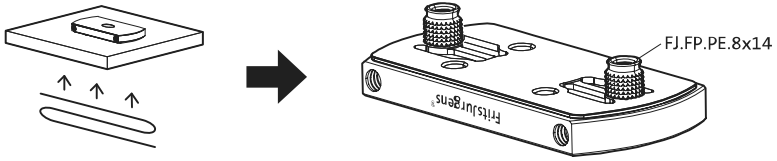






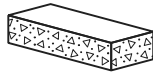
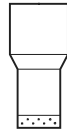




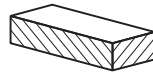




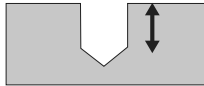
ø8 mm (5/16")



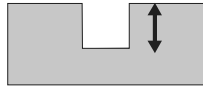
ø8 mm (5/16")



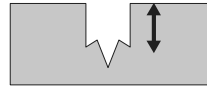
ø7.5 mm (19/64")



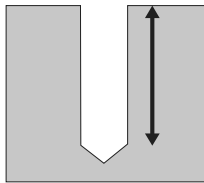
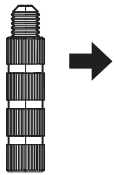
8 mm (5/16")



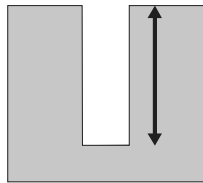
8 mm (5/16")



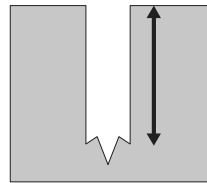
8 mm (5/16")



30 mm (13/16")

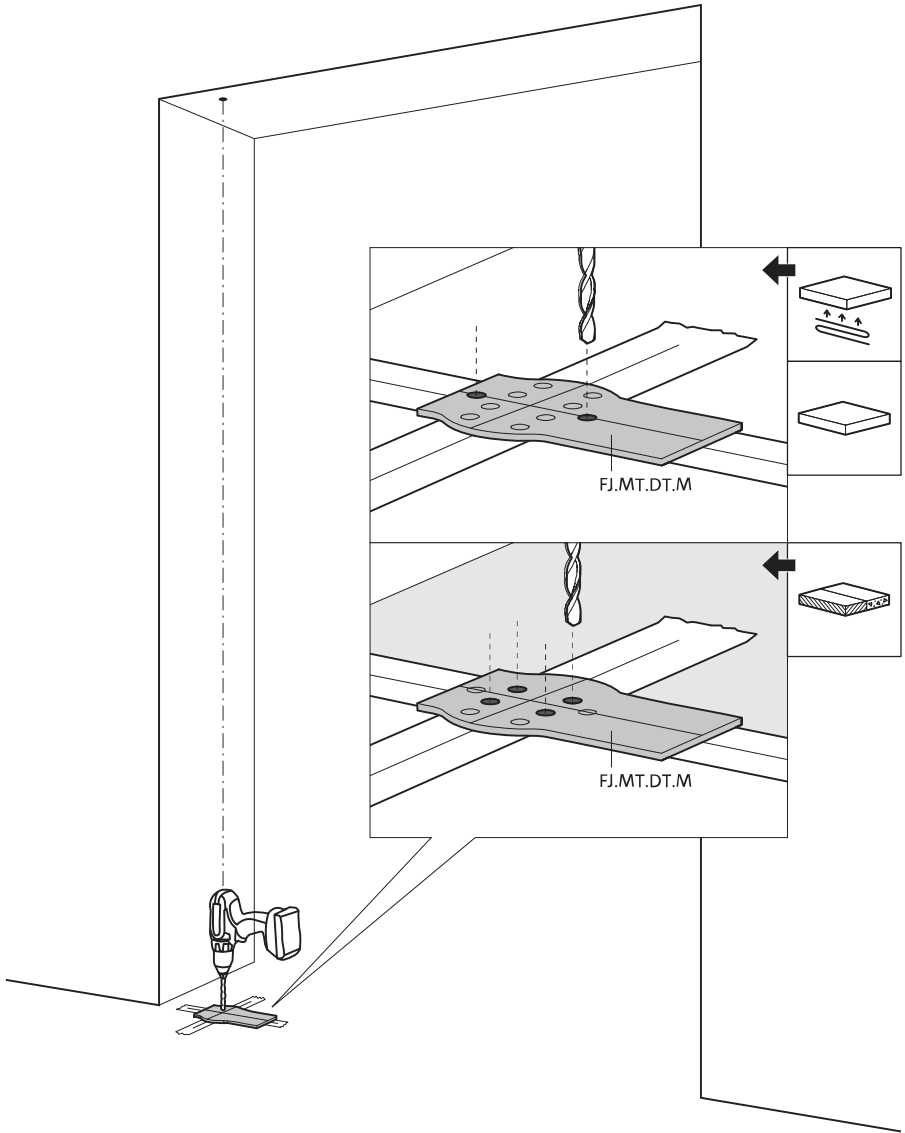


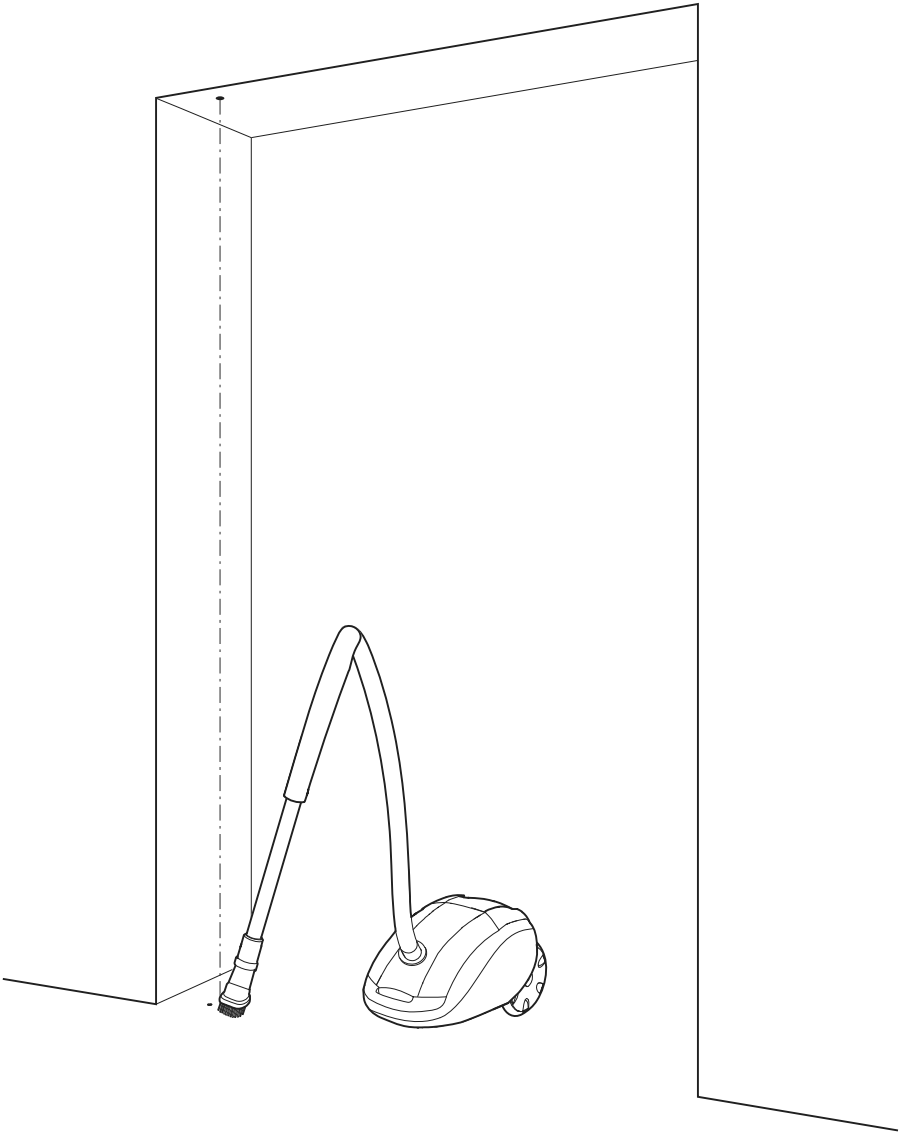
30 mm (13/16")



30 mm (13/16")

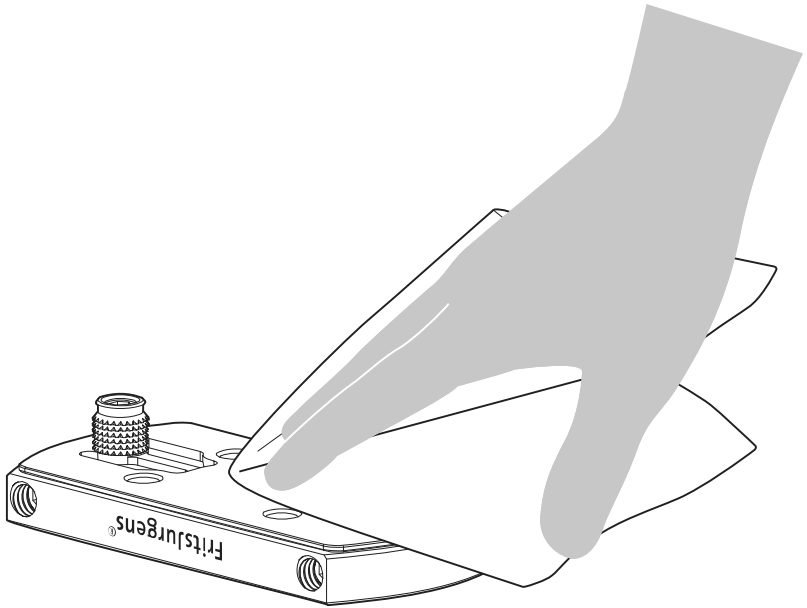




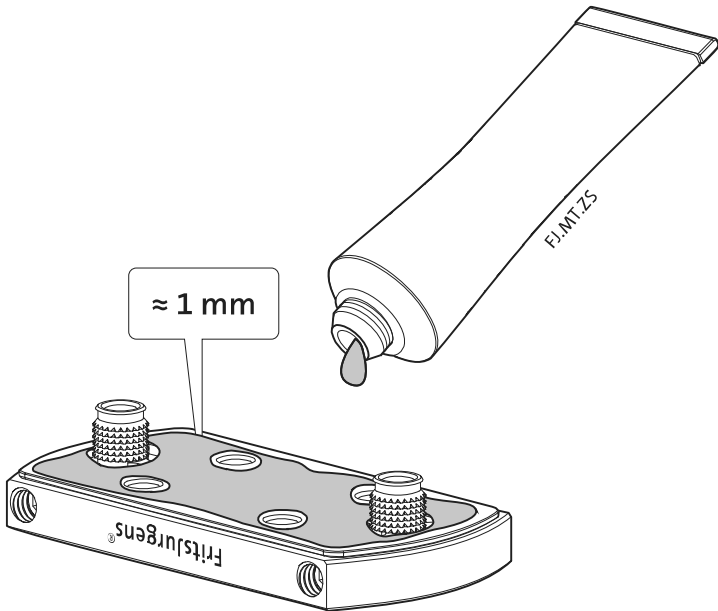


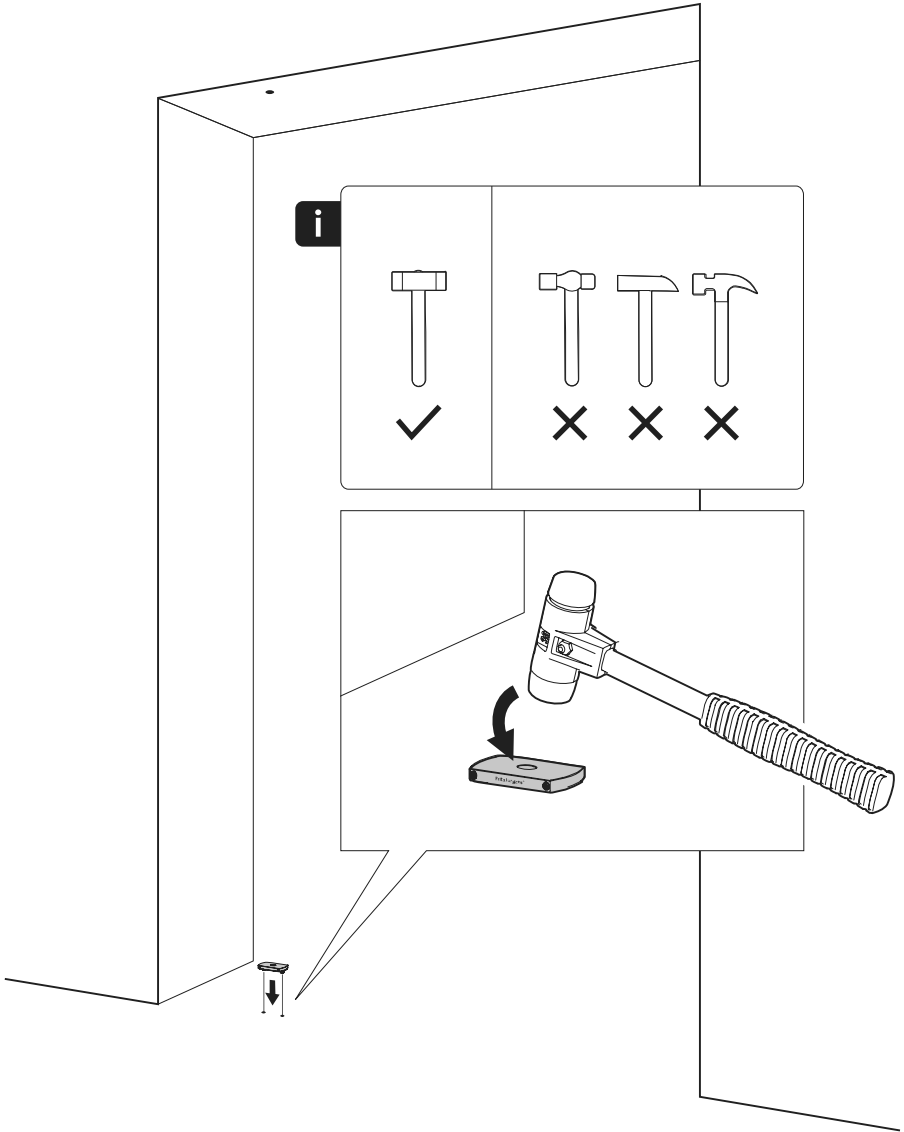


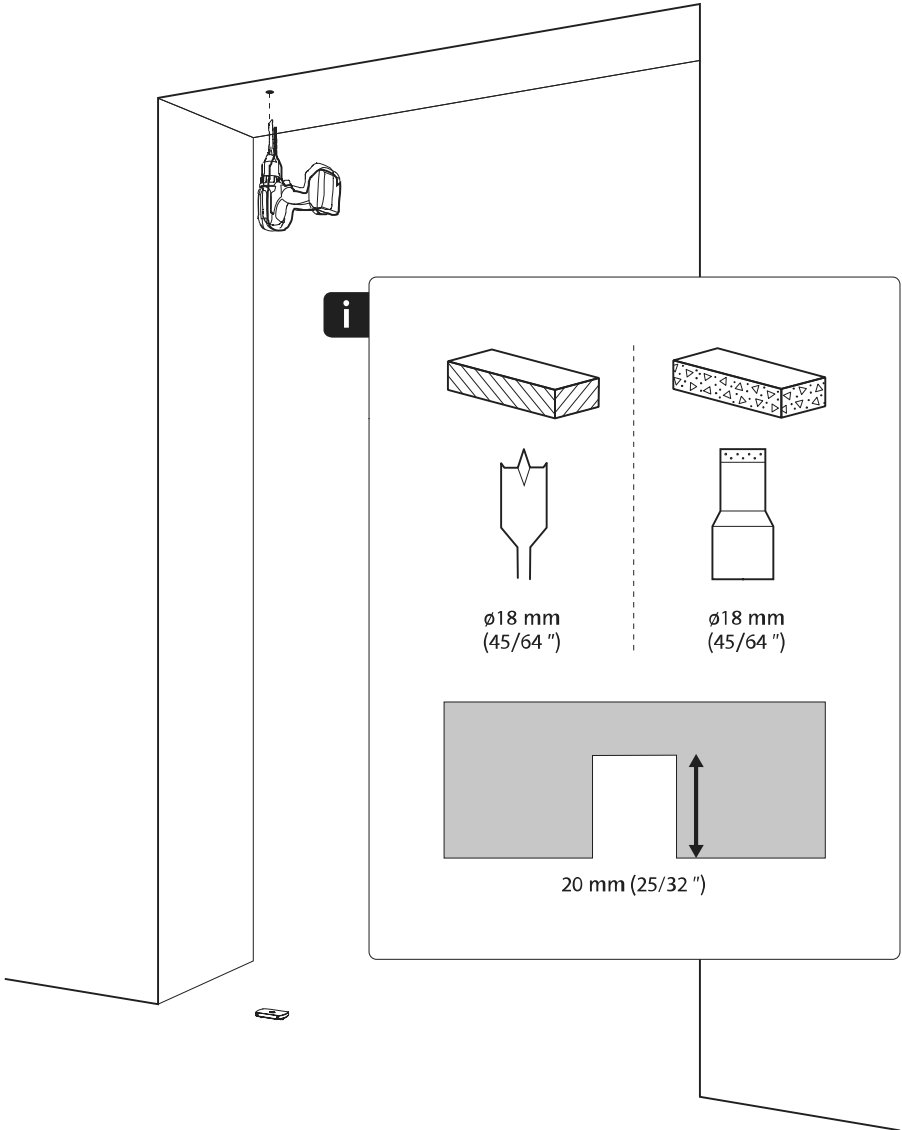
1



2

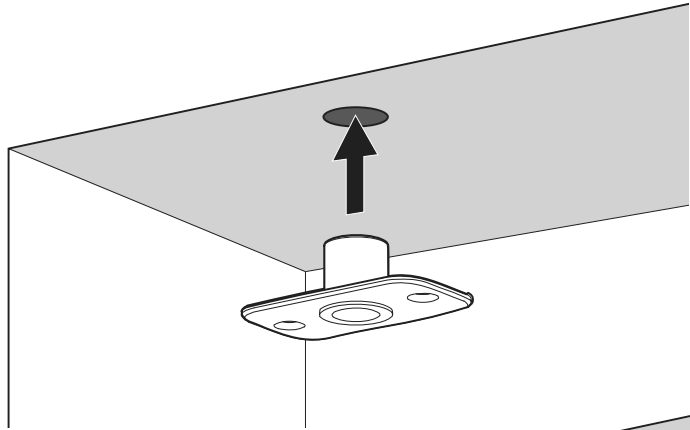




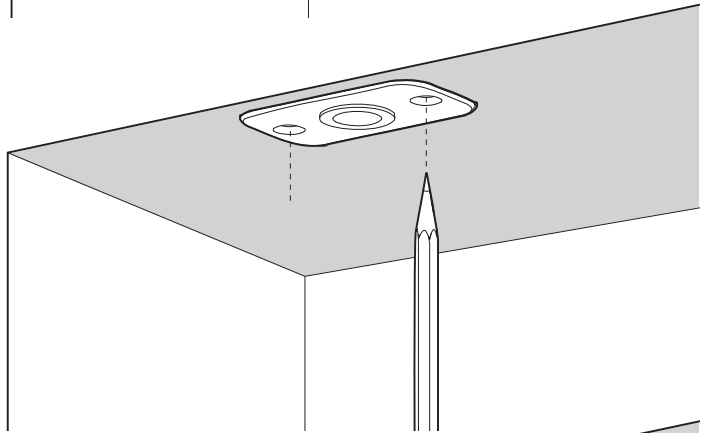




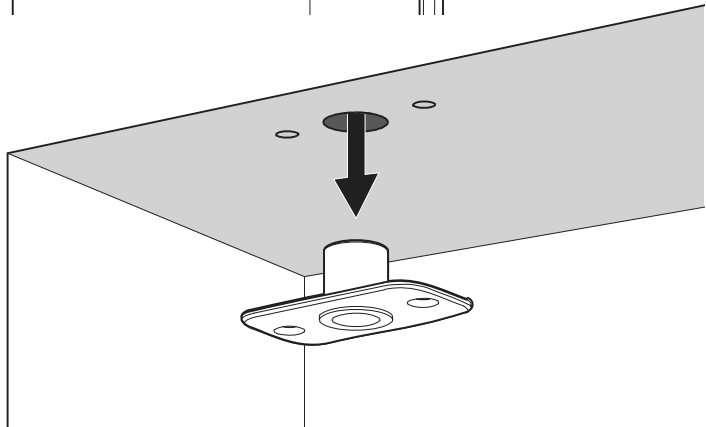
1



2

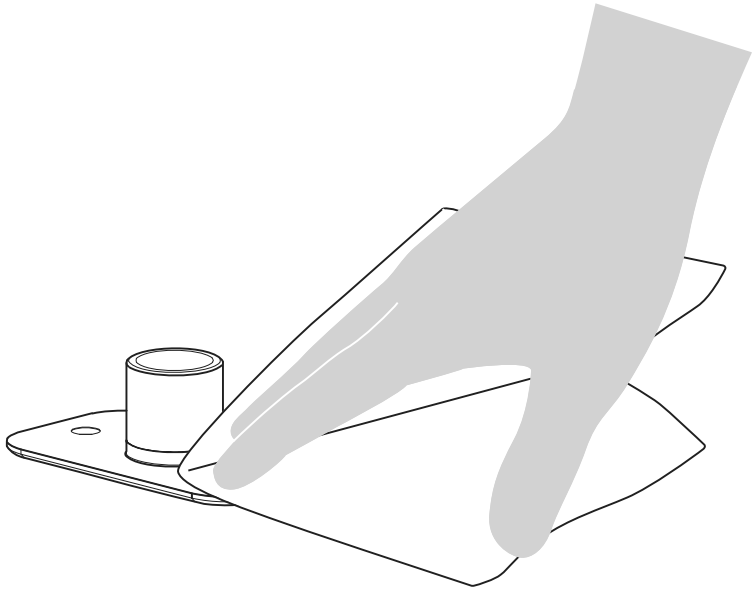


3

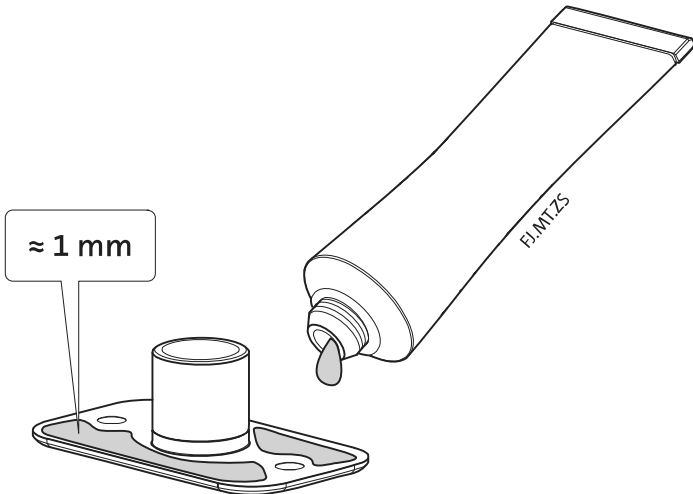


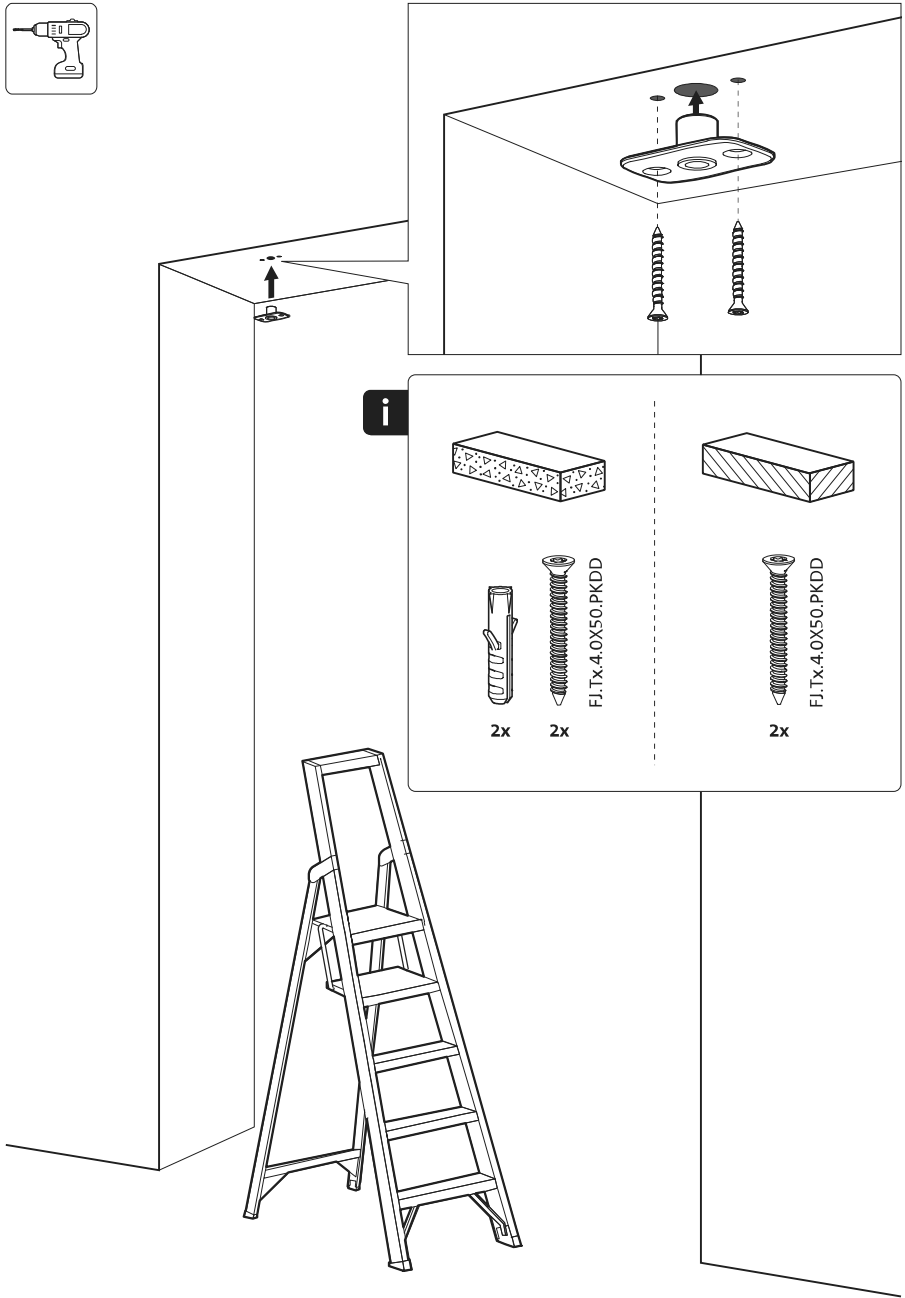


1

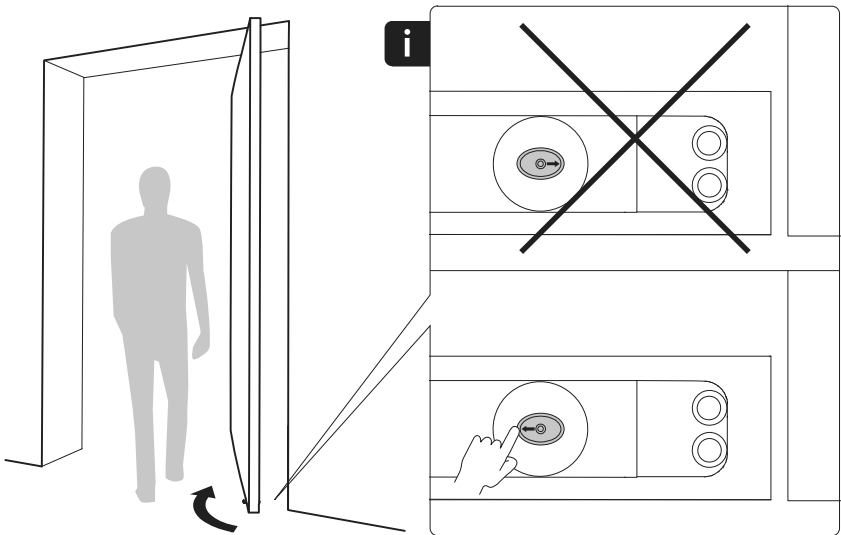
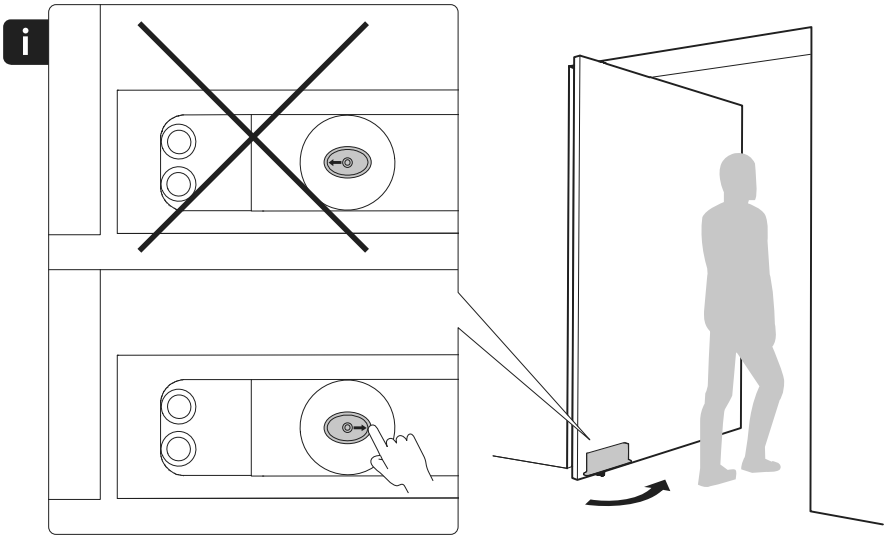


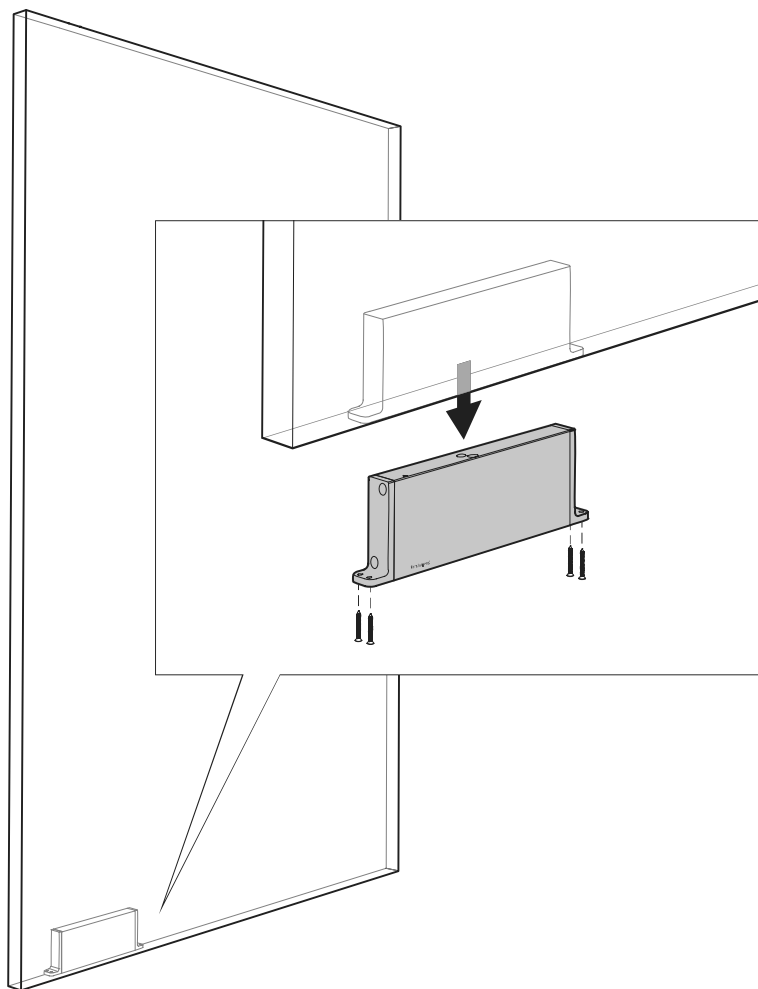
2

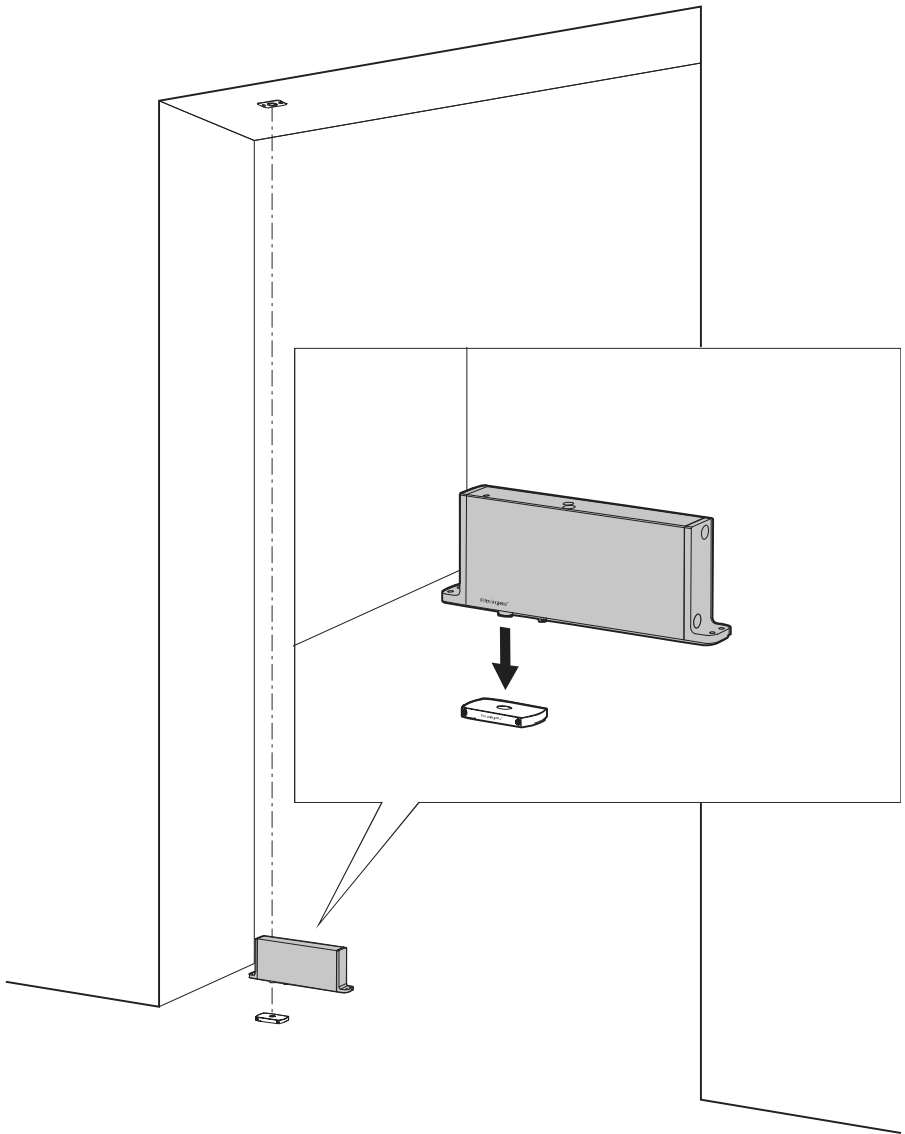


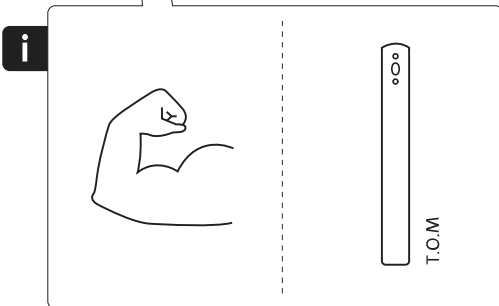
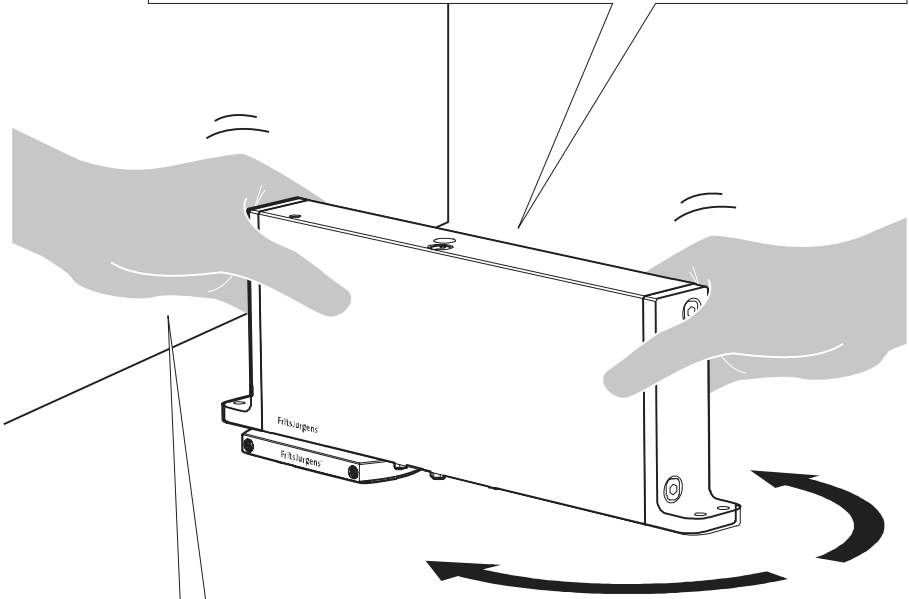
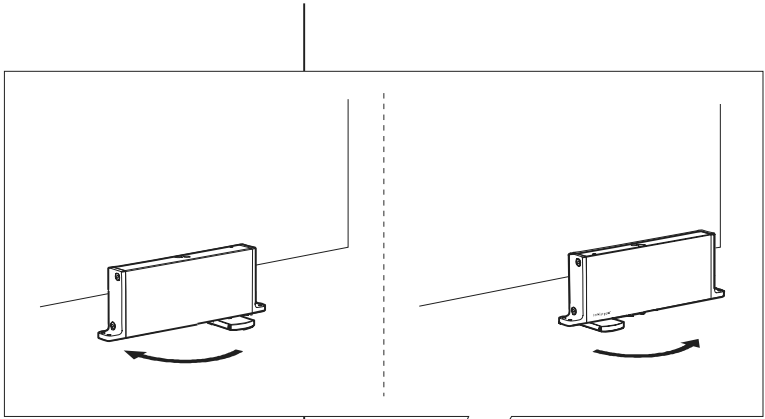


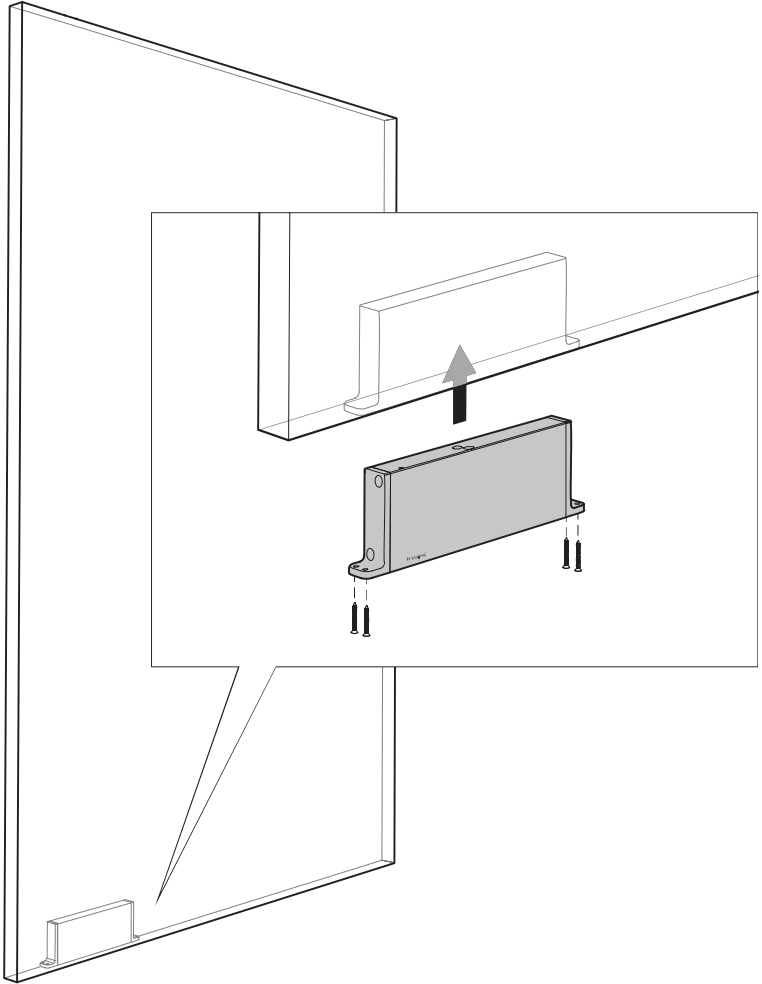


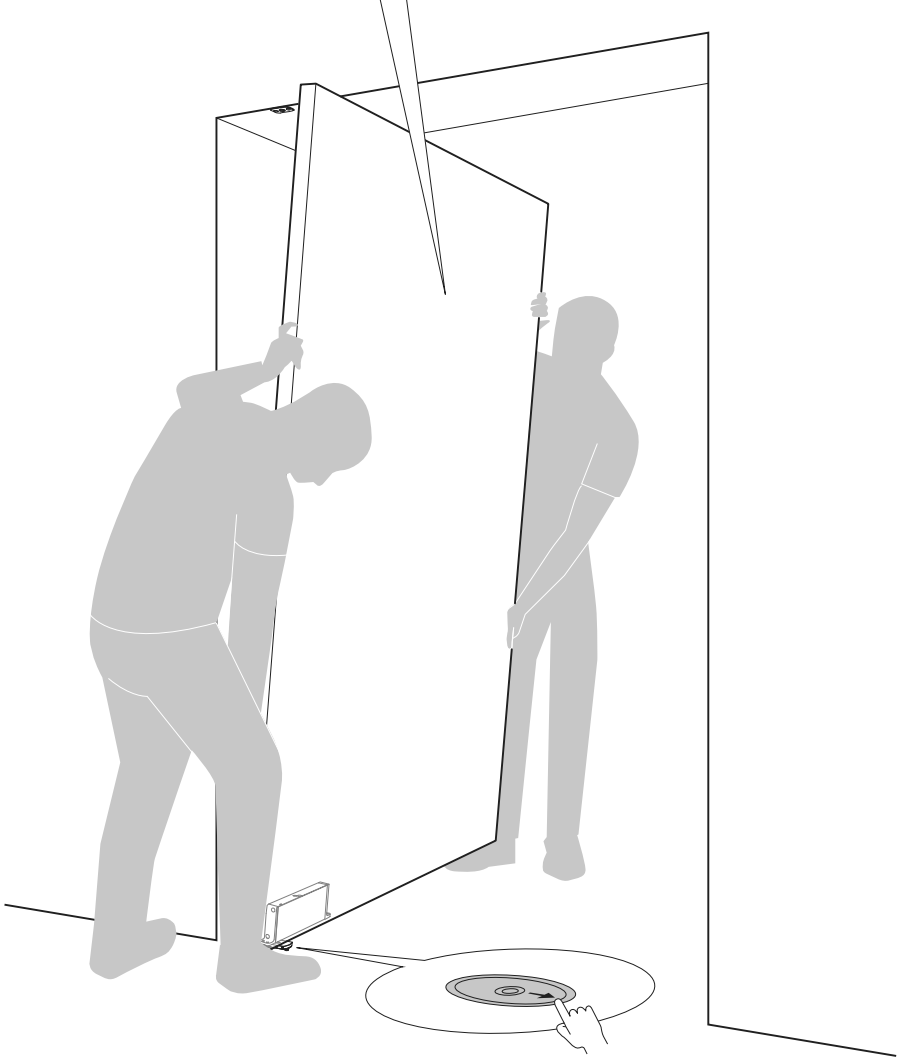
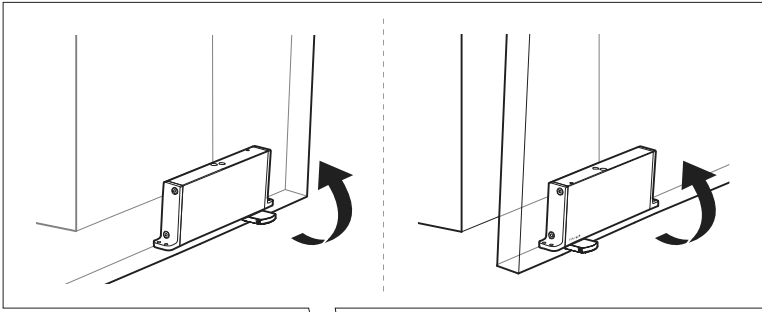


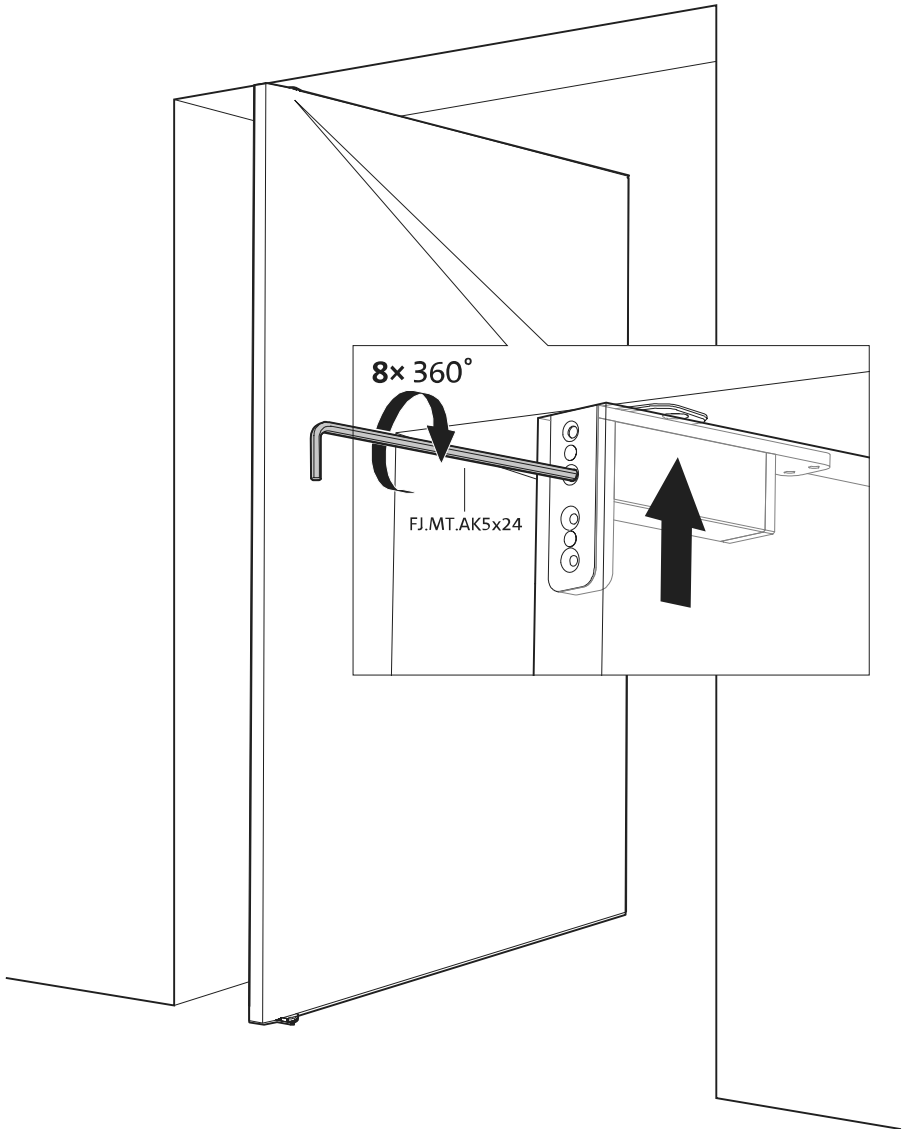
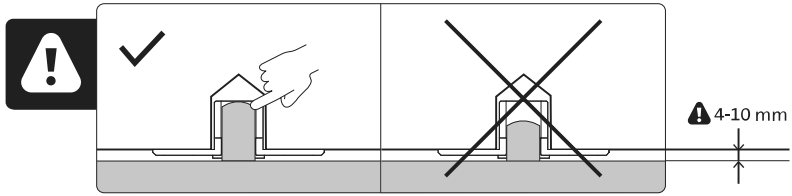


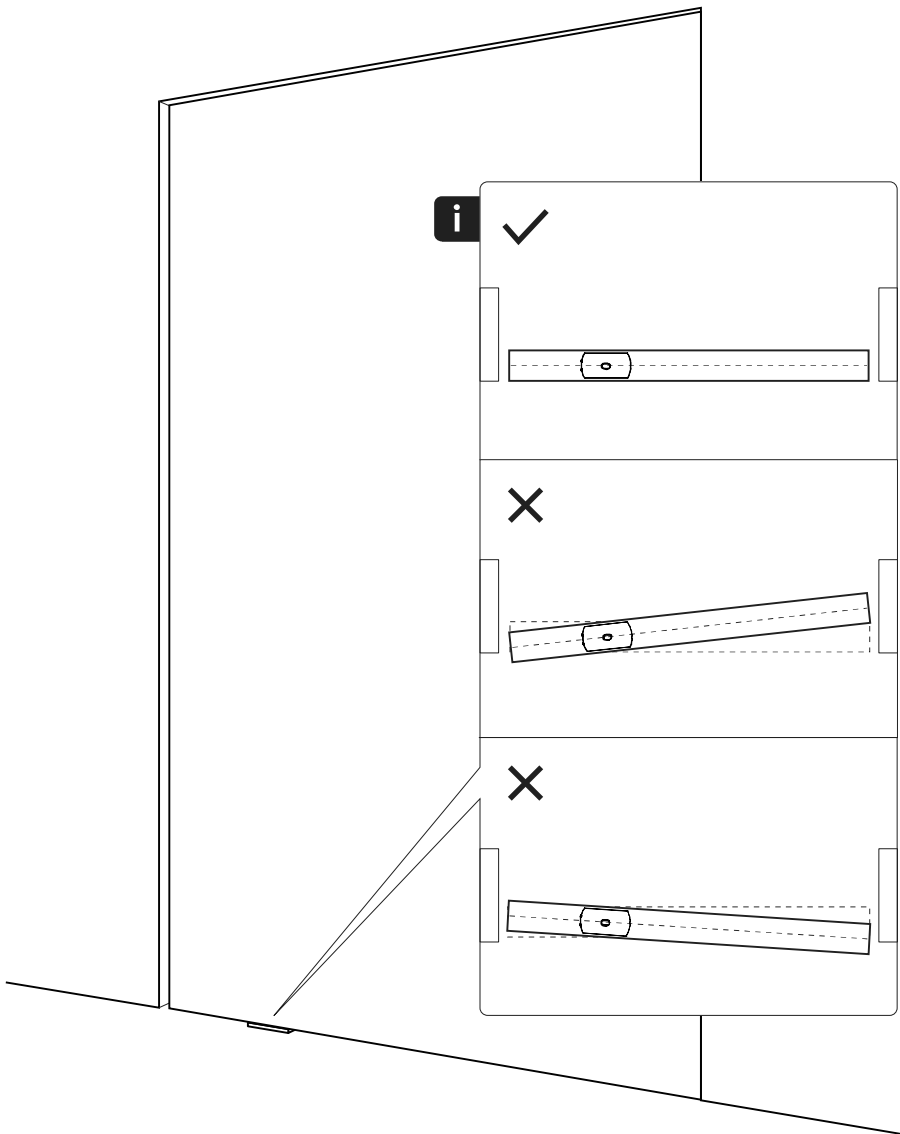




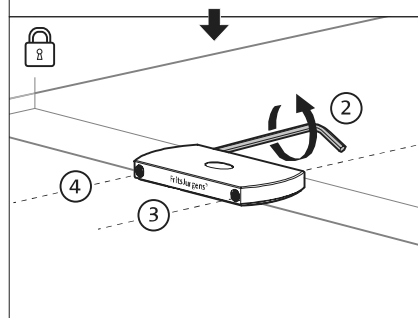
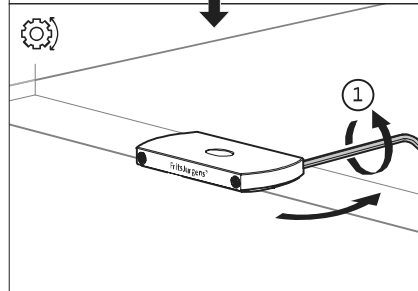
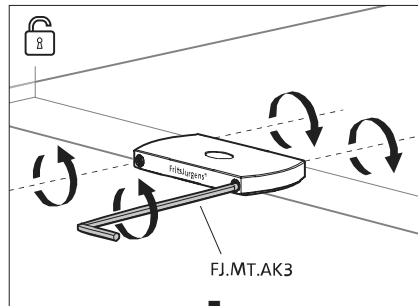
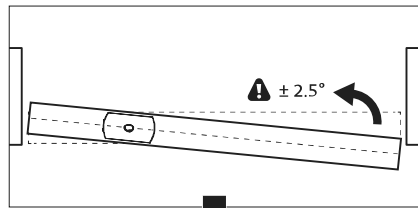
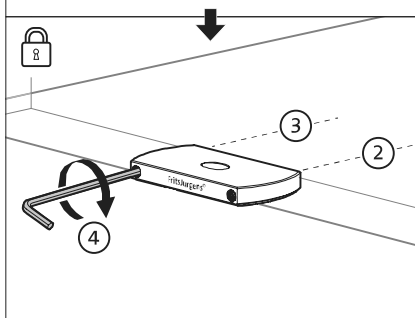
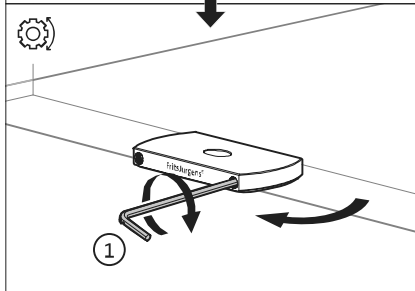
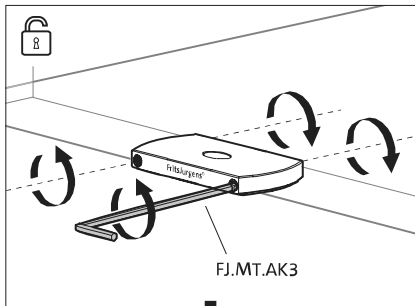
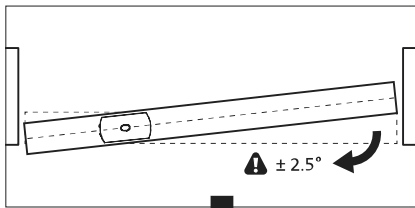


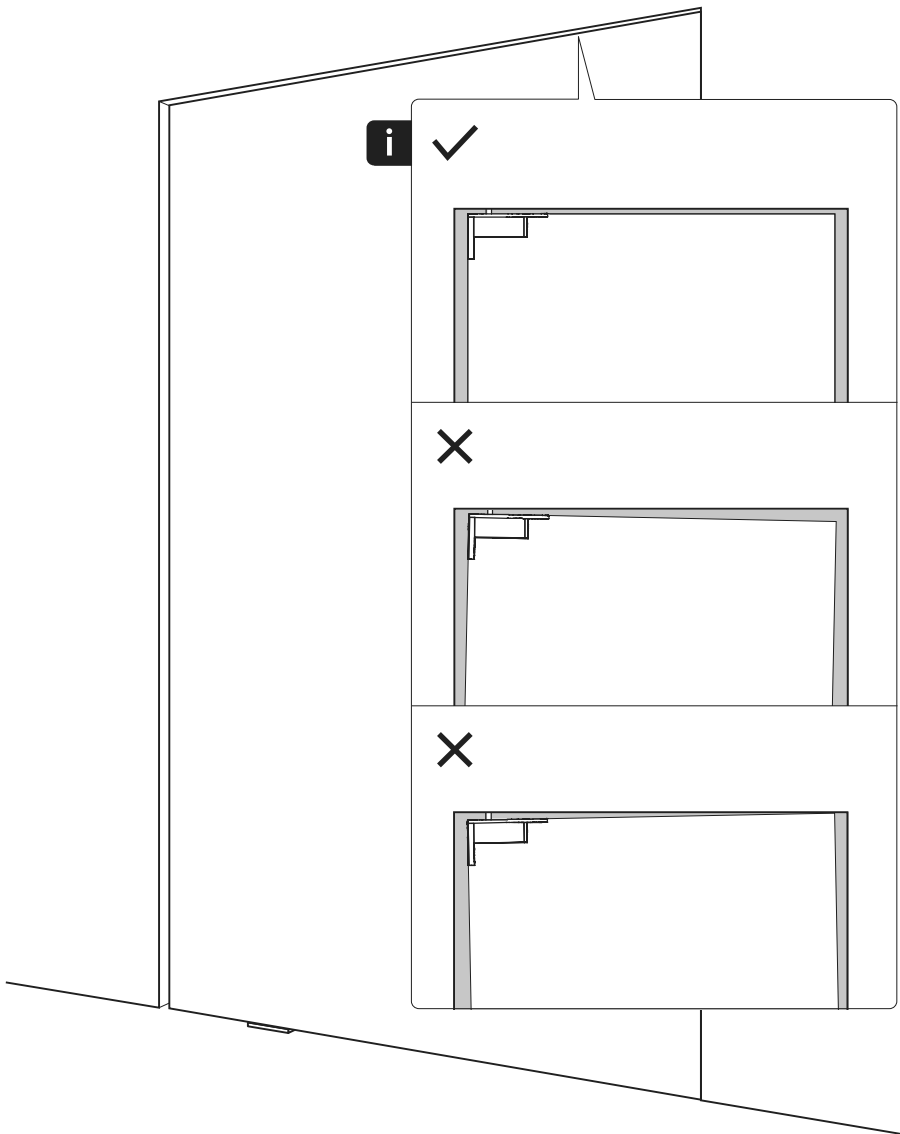


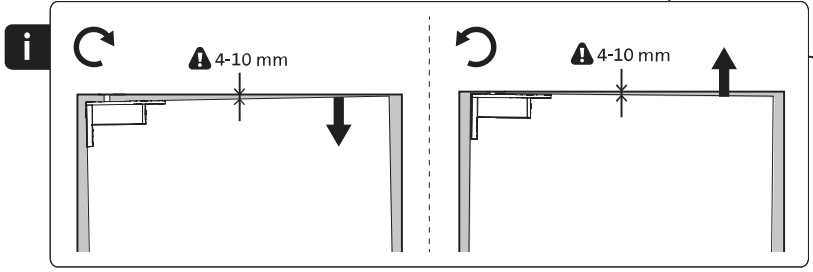
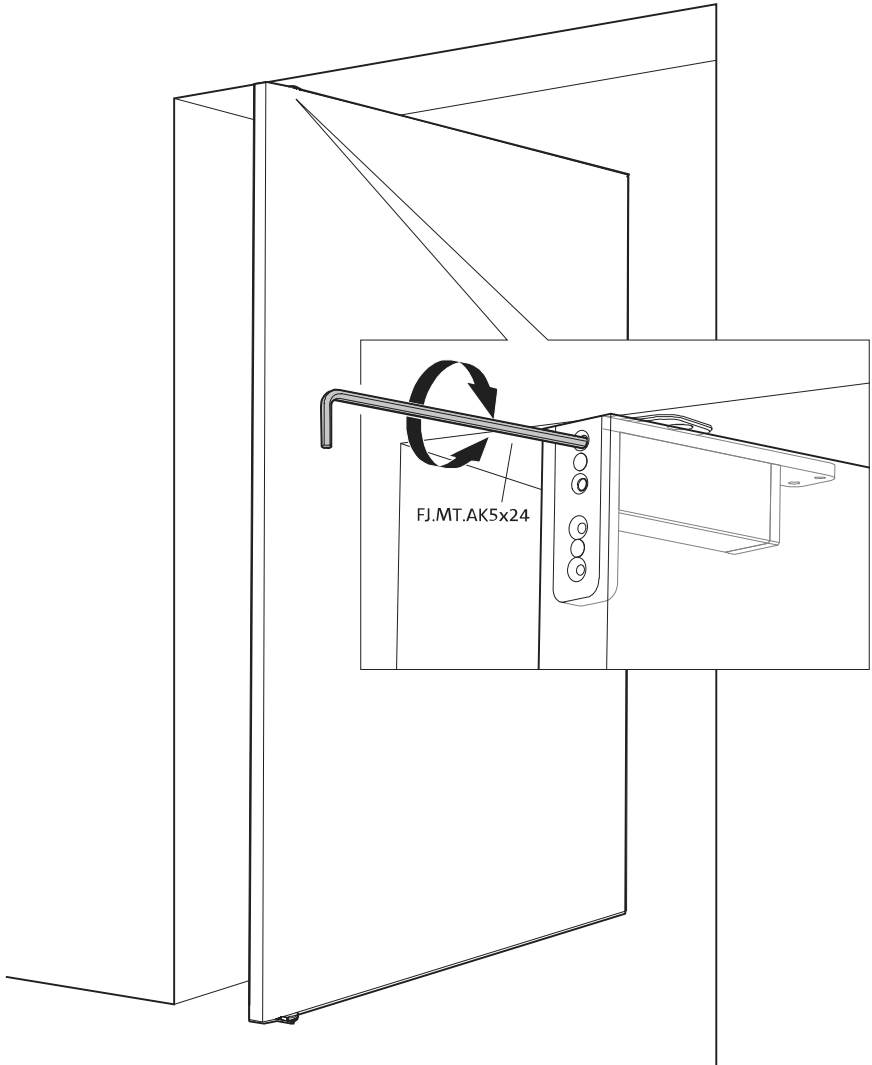


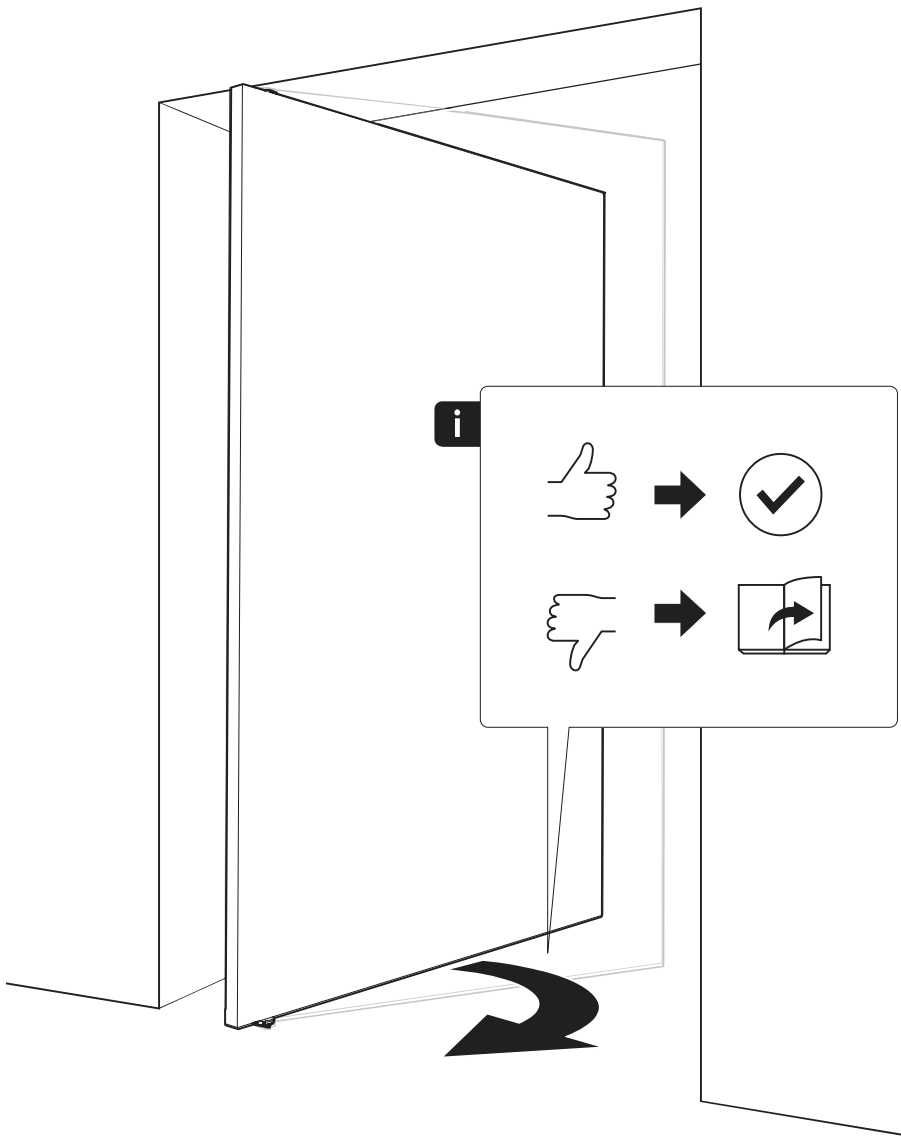






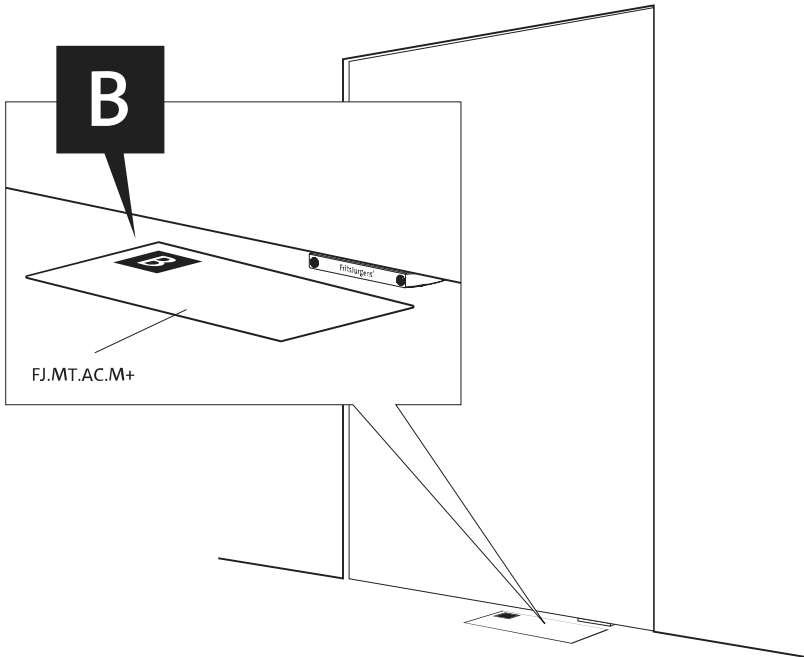
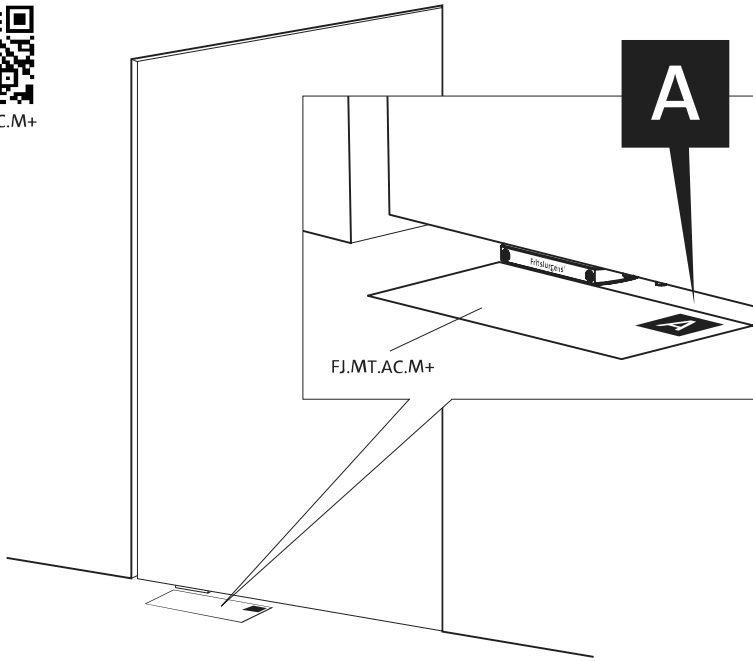


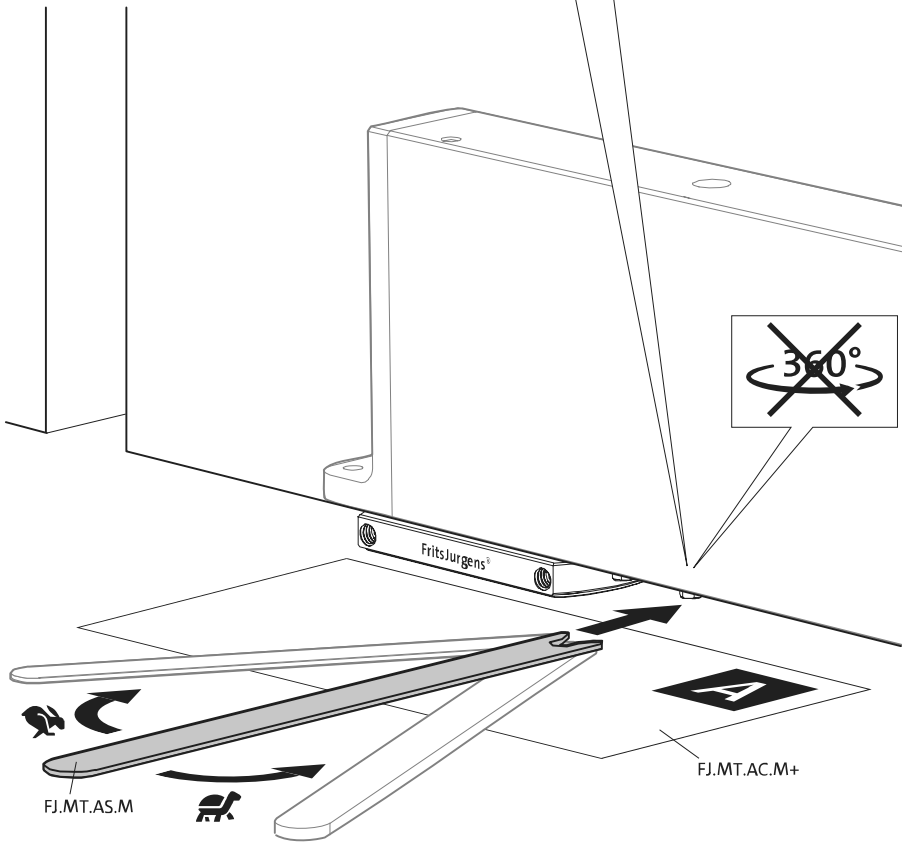
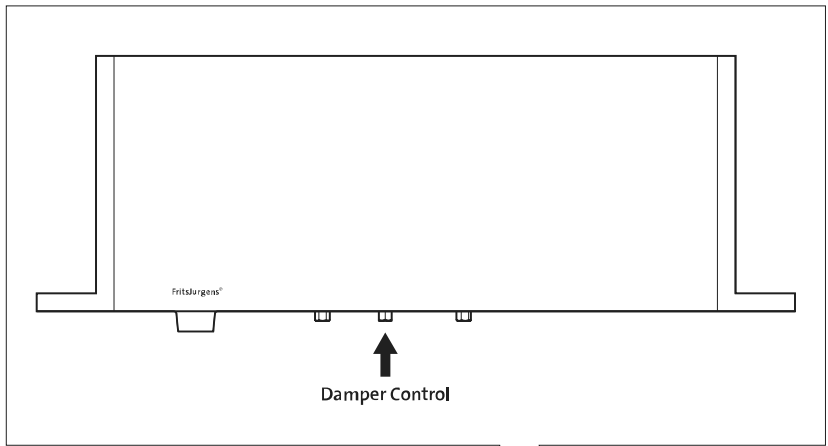


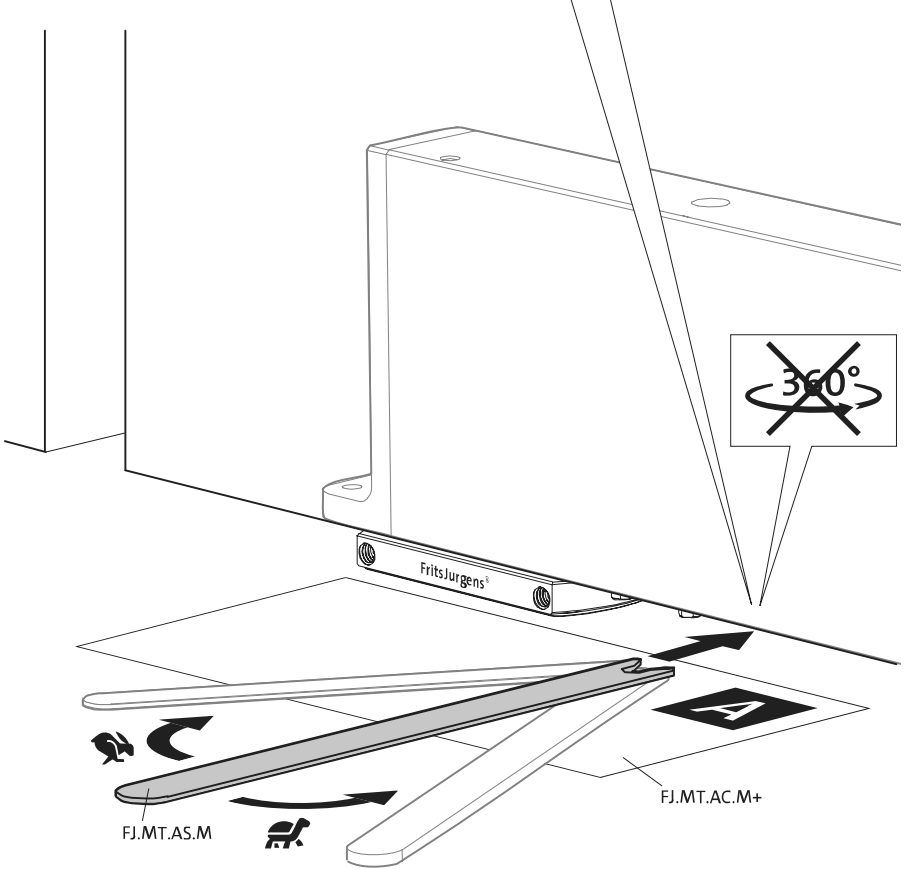
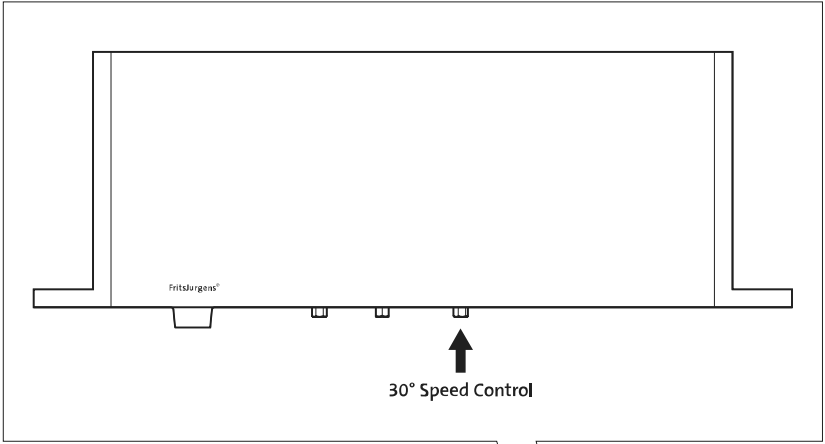


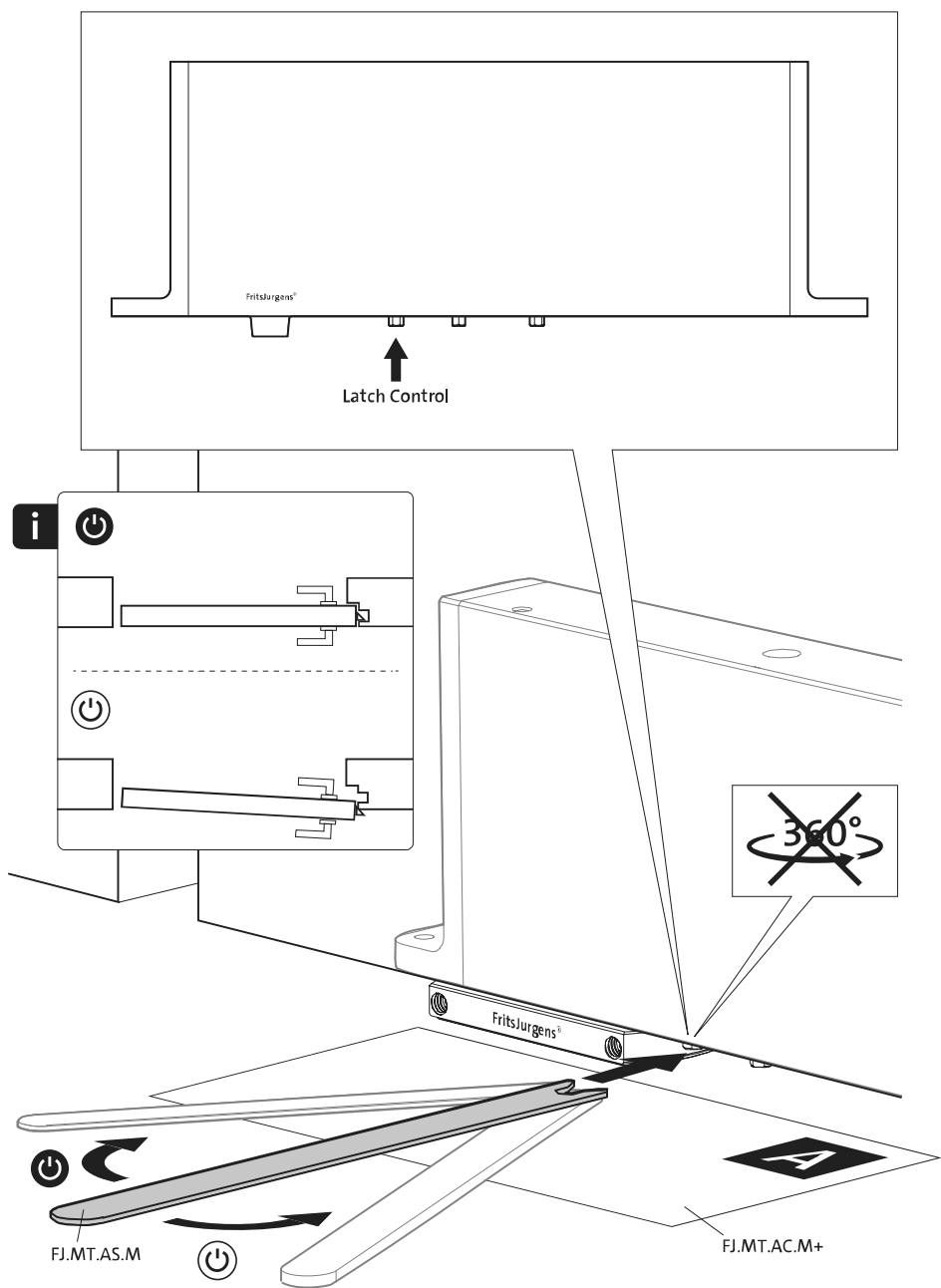


FJ.MT.AC.M+

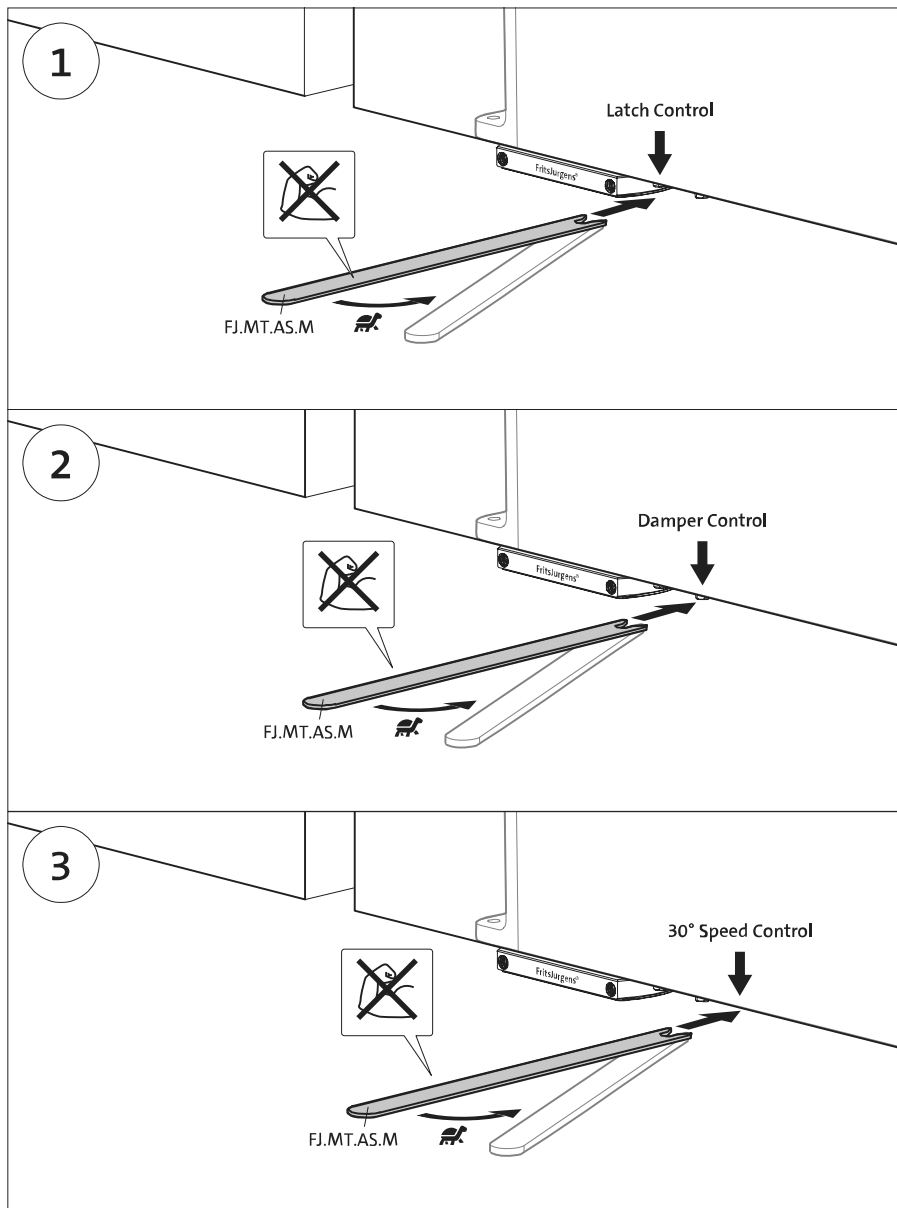


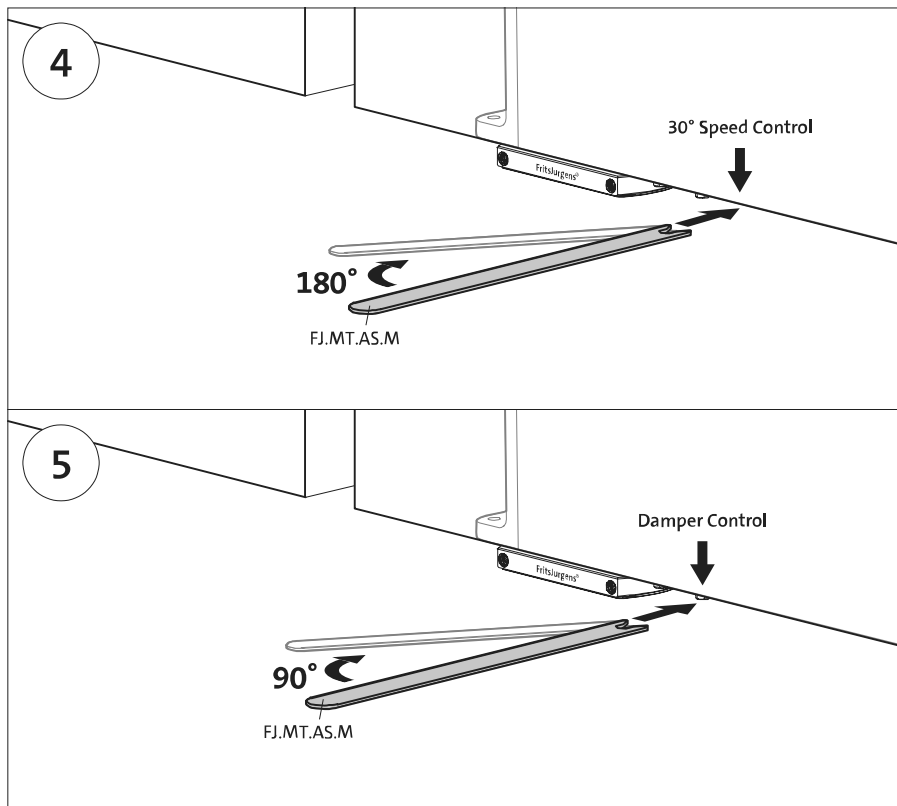




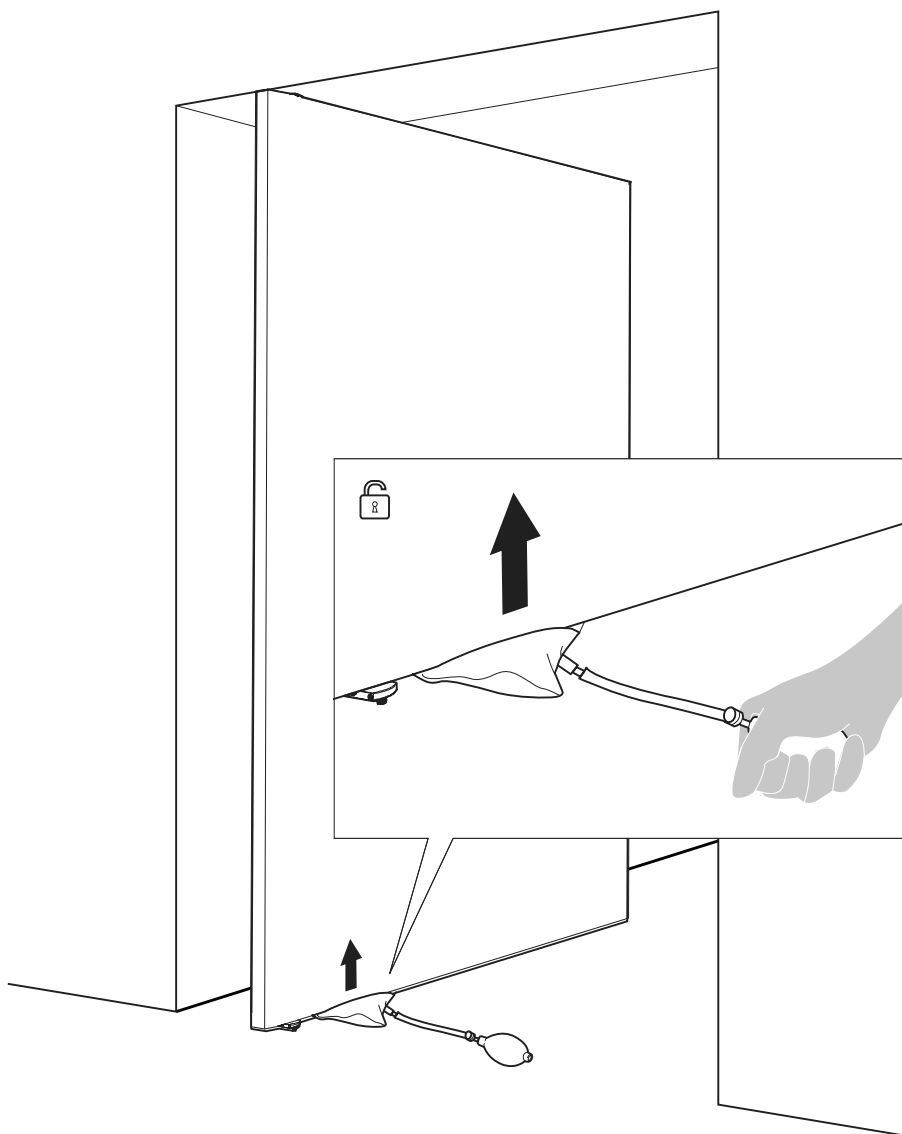


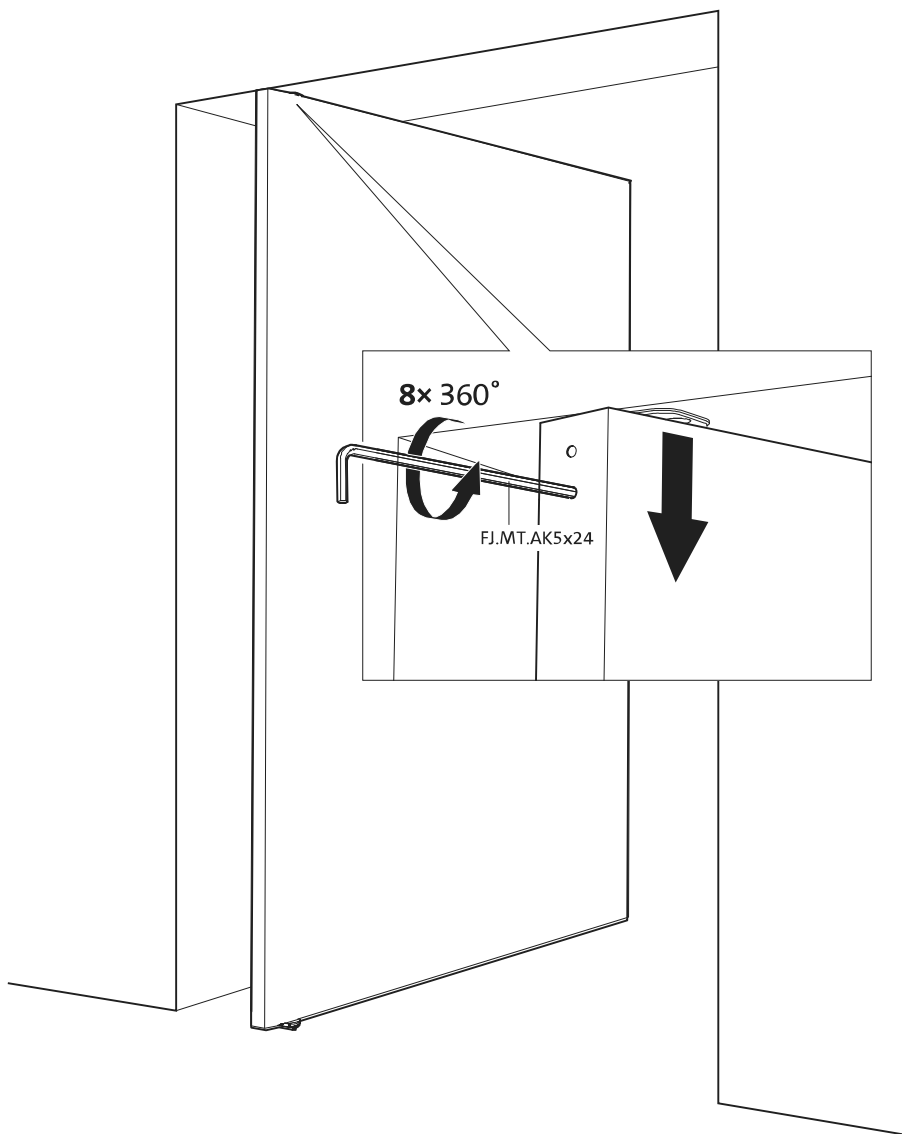






# Disassembly instructions









**FritsJurgens International**

A. Einsteinlaan 1  
The Netherlands  
9615 TE Kolham  
+31 598 343 410  
info@fritsjurgens.com

**FritsJurgens Dubai Branch**

DLC-OP-A2-4-0029  
Dubai South  
Dubai  
United Arab Emirates  
+971 4 820 8106  
+971 58 137 2611  
dubai@fritsjurgens.com  
fritsjurgens.com

Copyright © FritsJurgens®  
BPM+.40.G.X.SS





