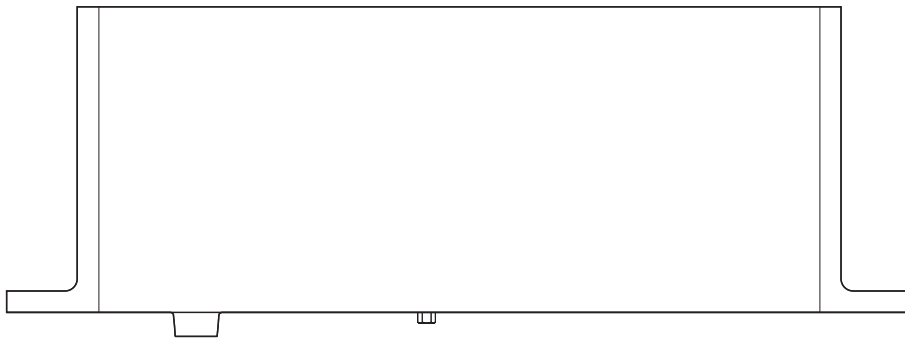


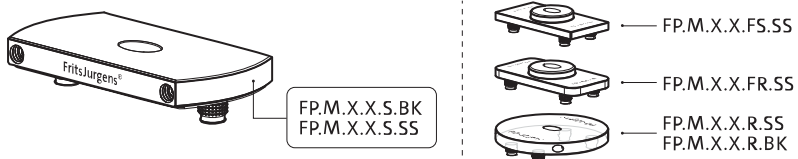
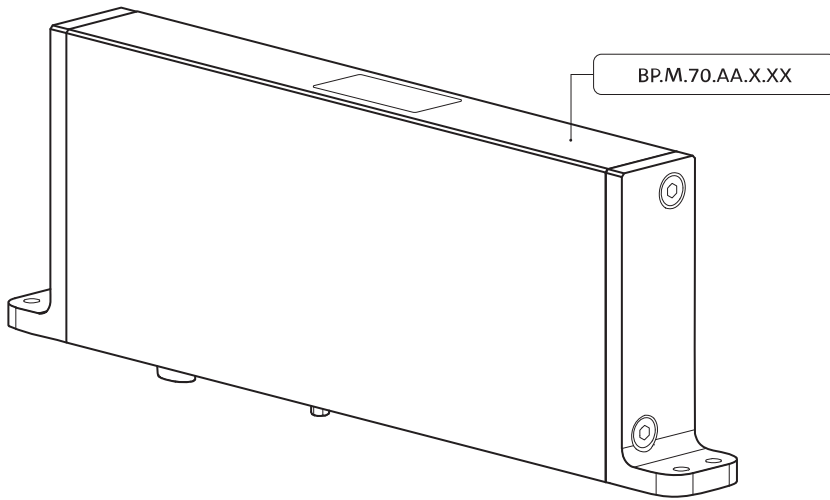
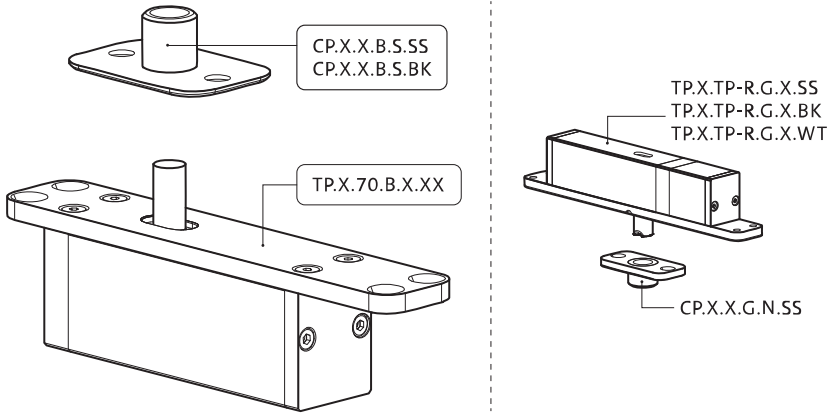
System M

Milling and mounting manual

FritsJurgens Set - 70 mm Class AA - invisible

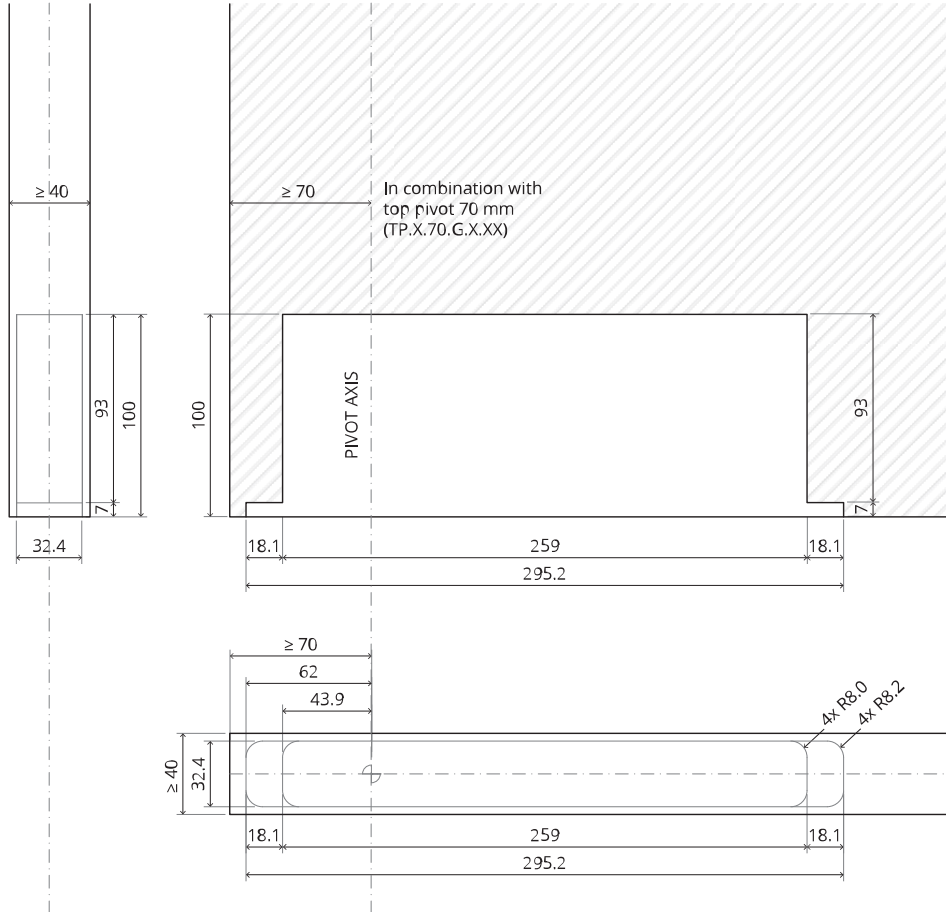


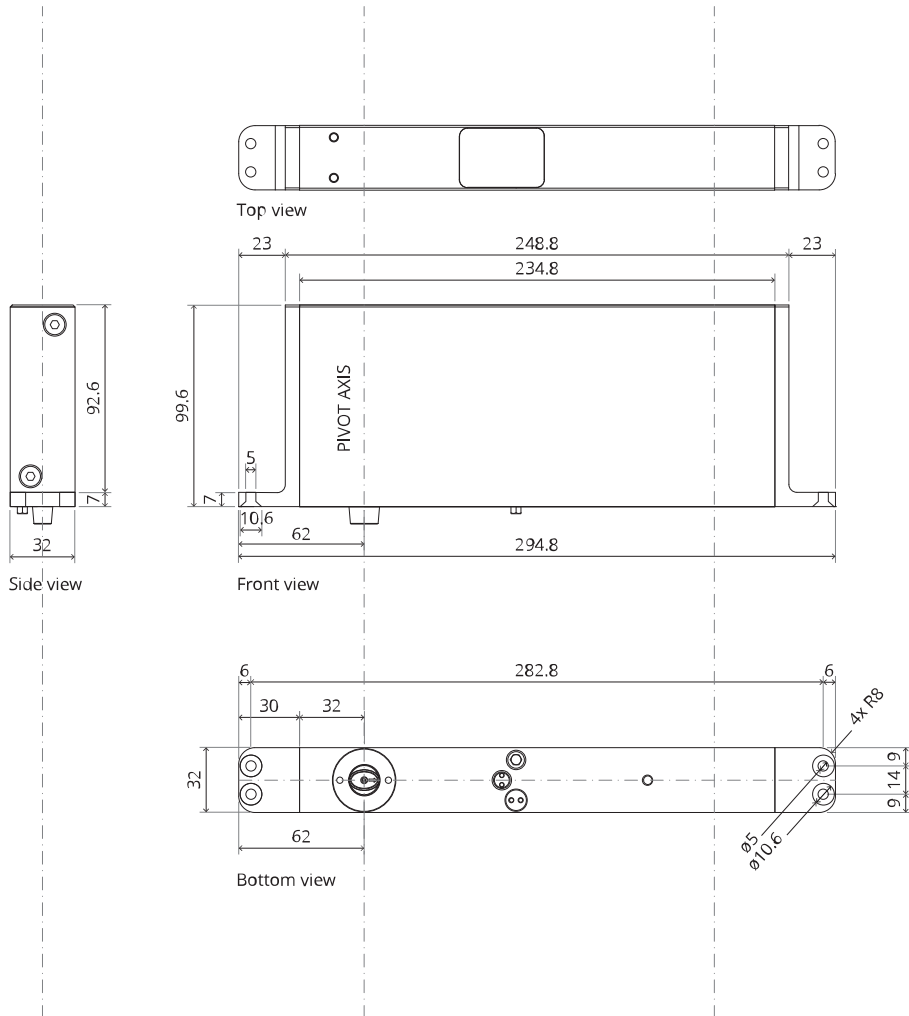
FritsJurgens®



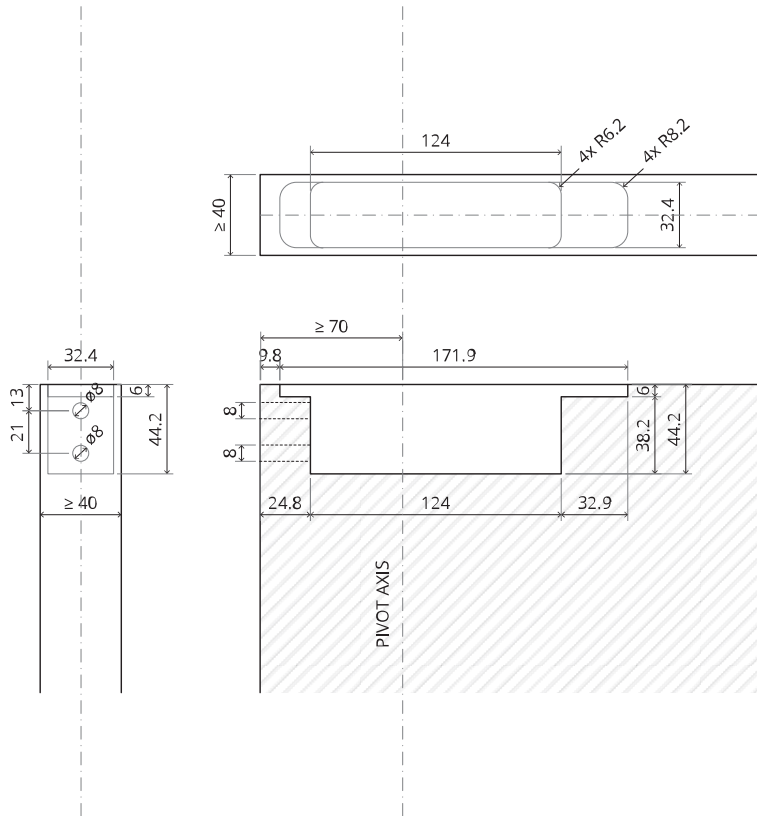
Milling instructions

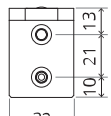
BP.M.70.AA.X.XX



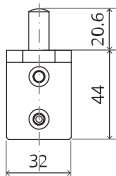


TP.X.70.B.X.XX

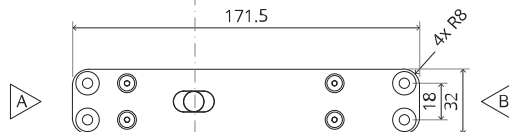




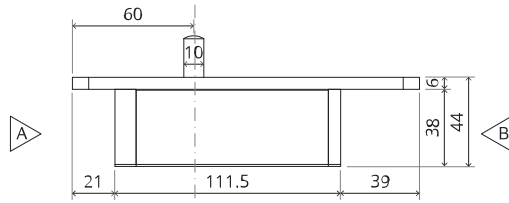
Side view A with pin turned in



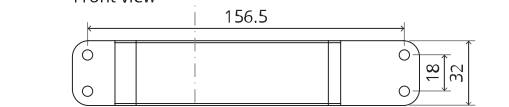
Side view A with pin turned out



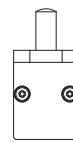
Top view



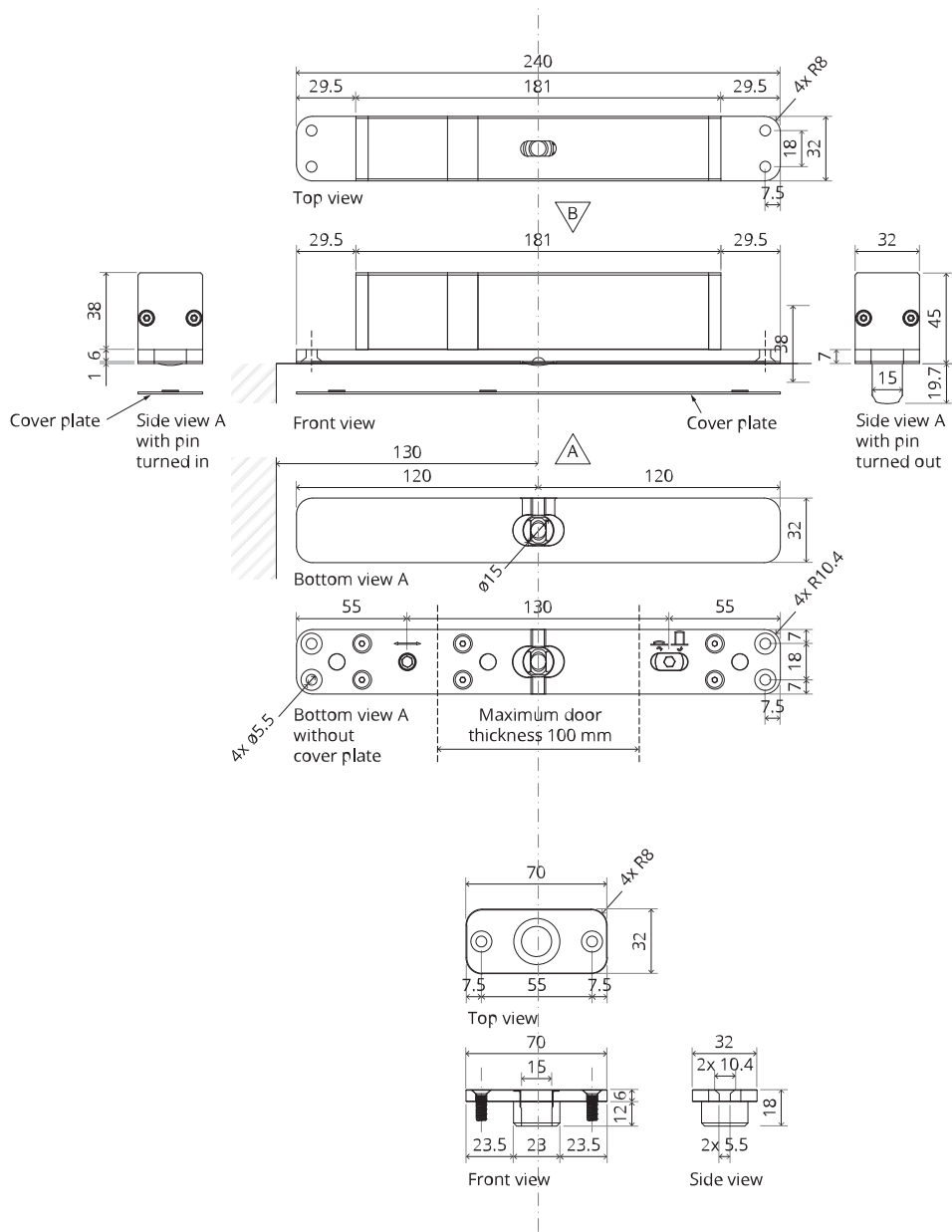
Front view

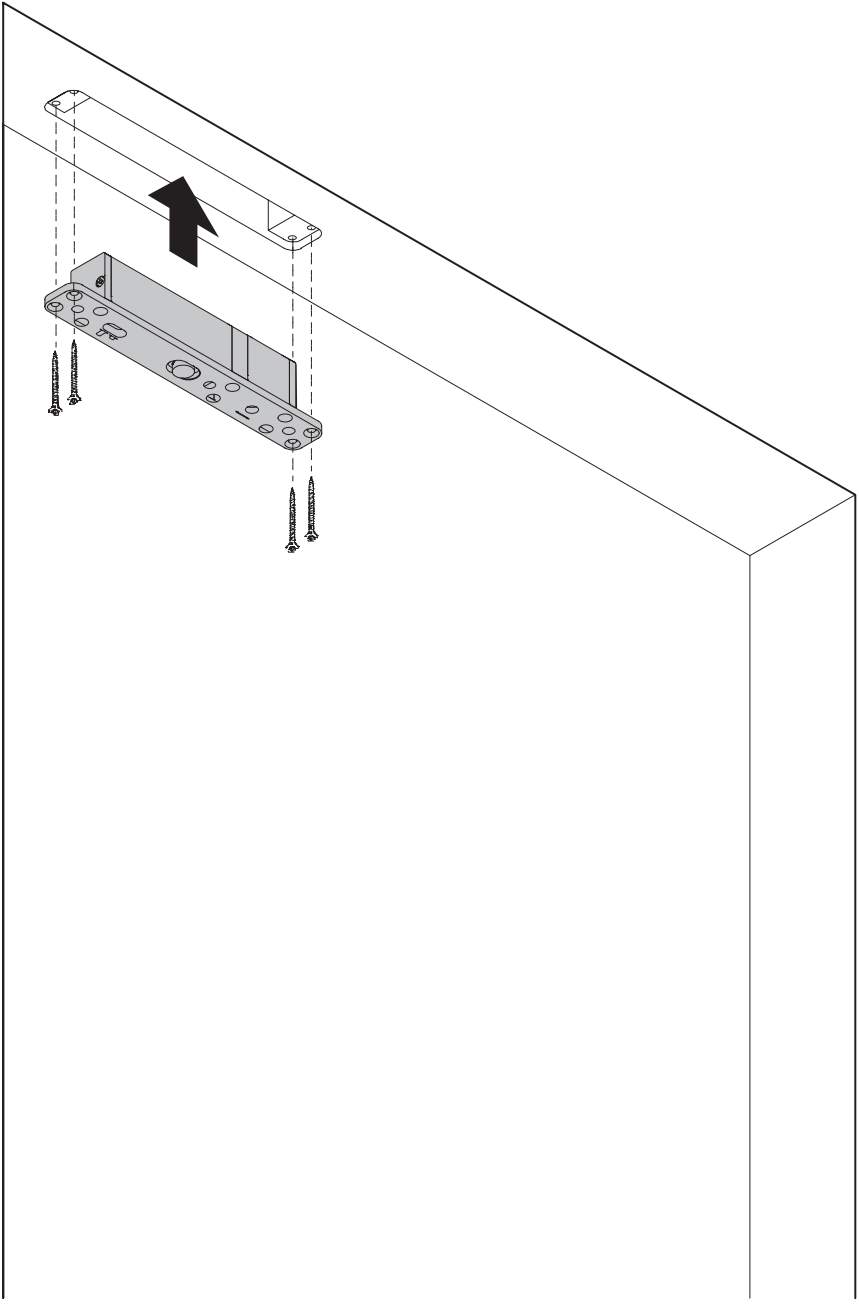


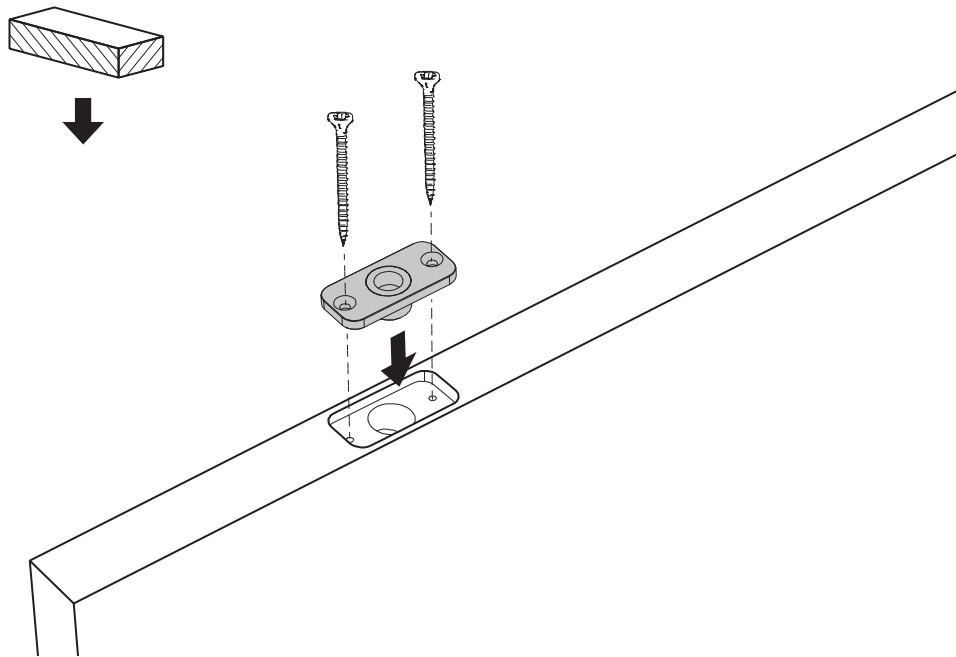
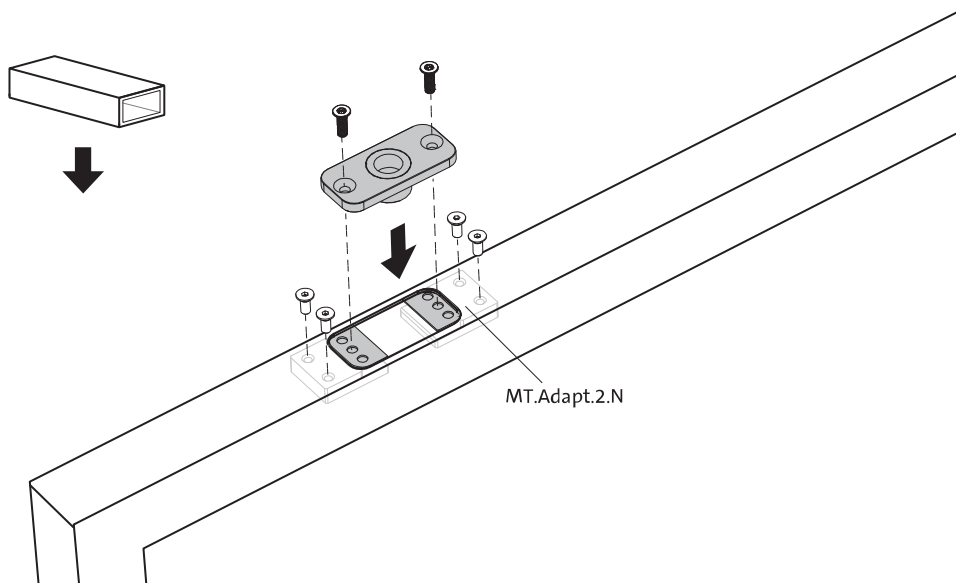
Bottom view



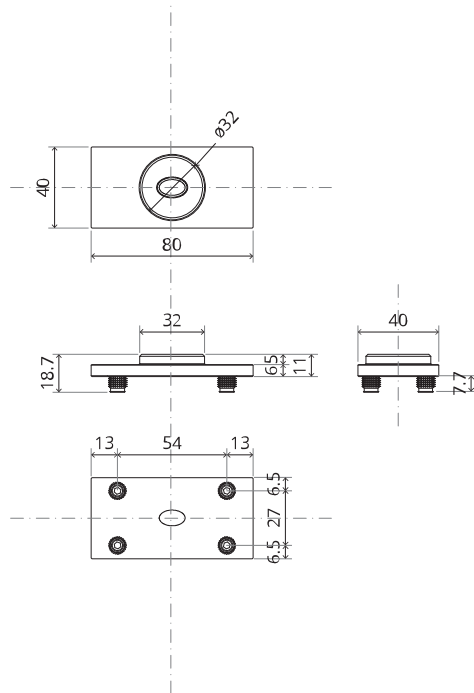
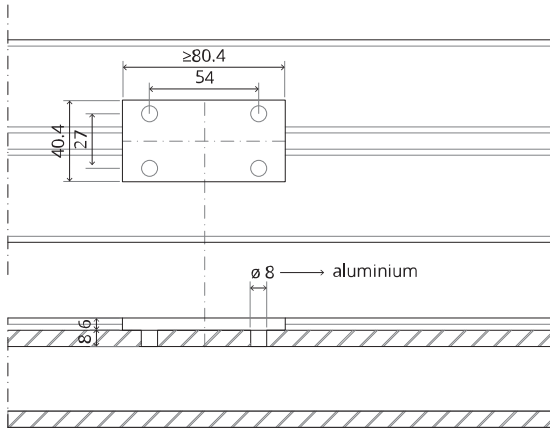
Side view B

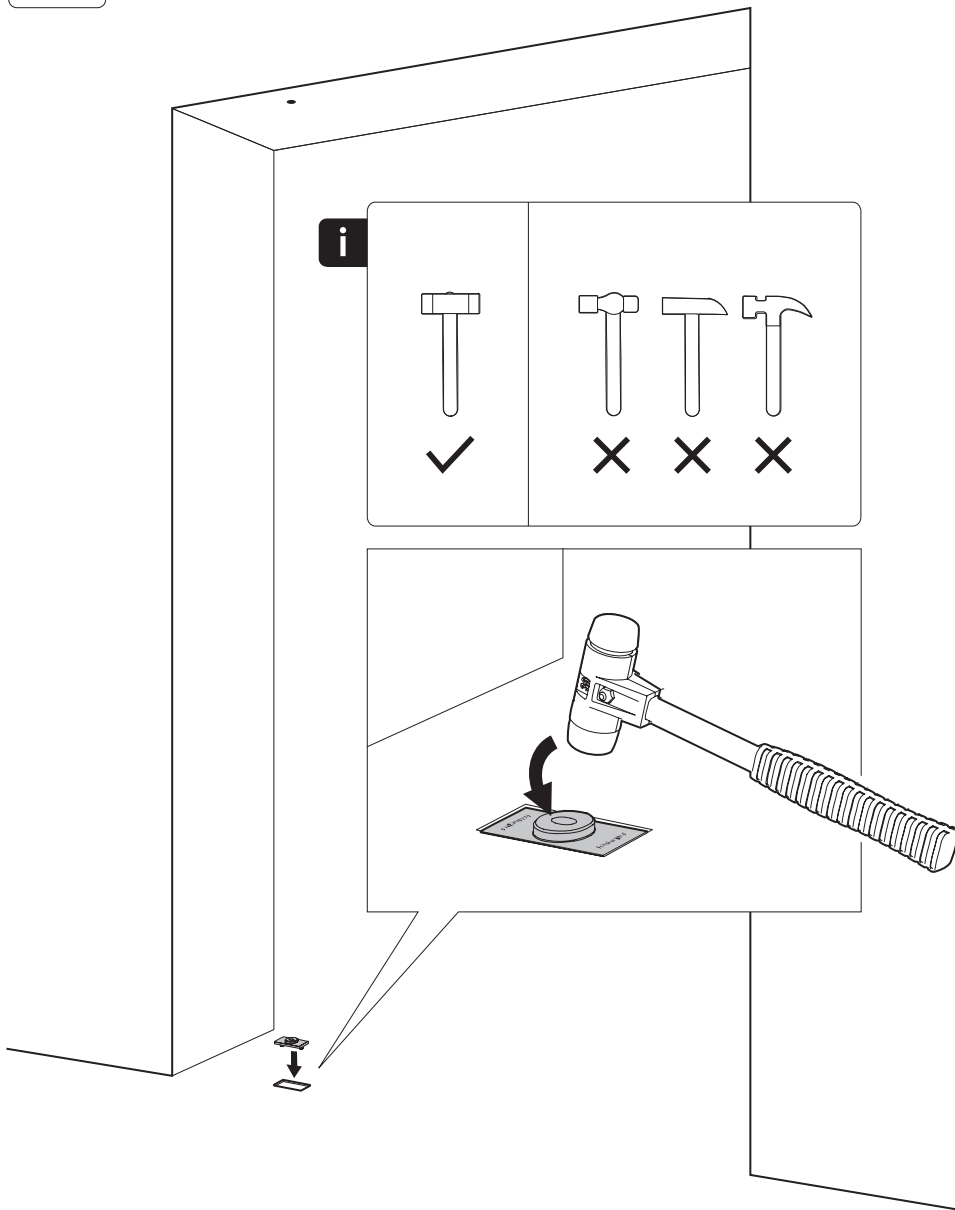




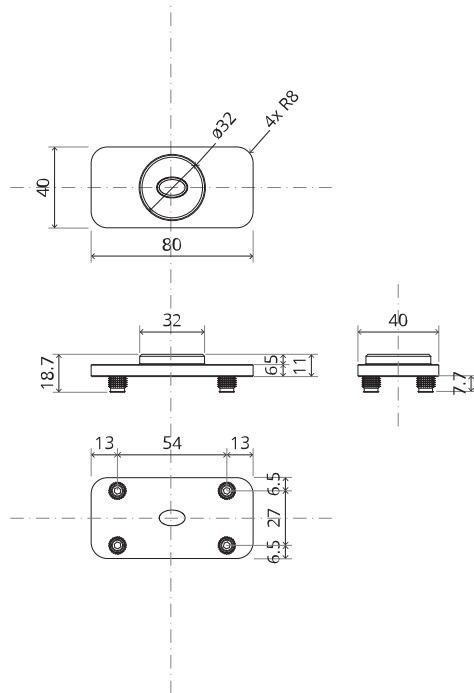
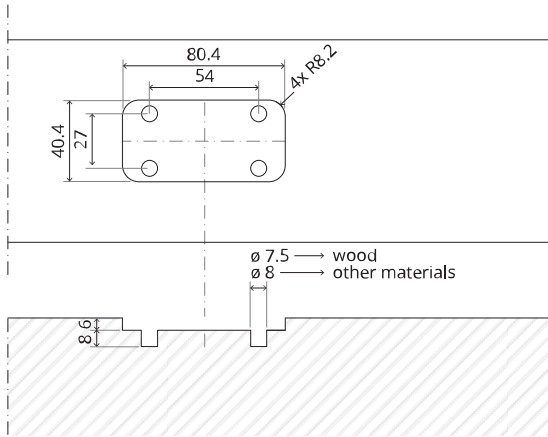


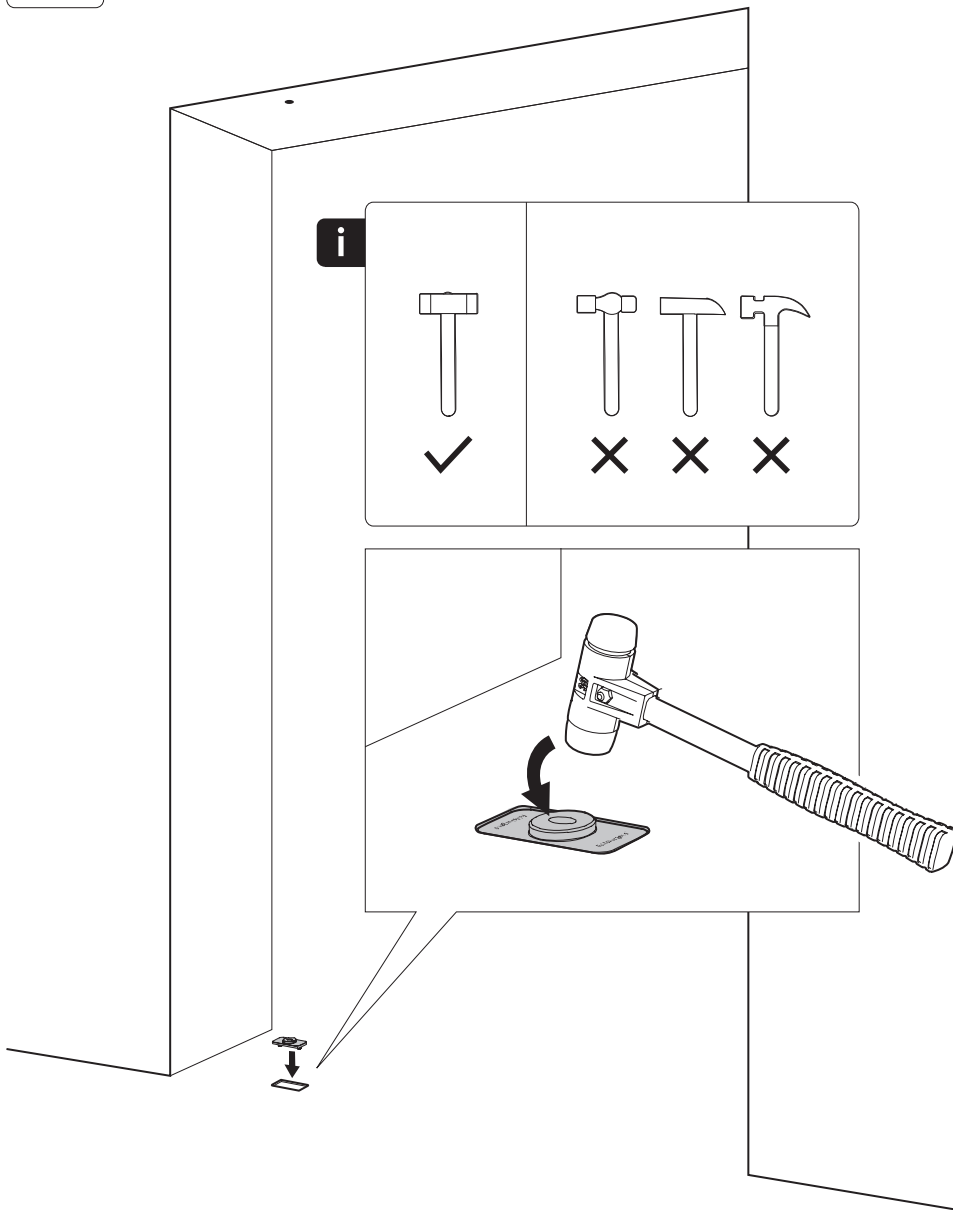
FP.M.X.X.FS.SS



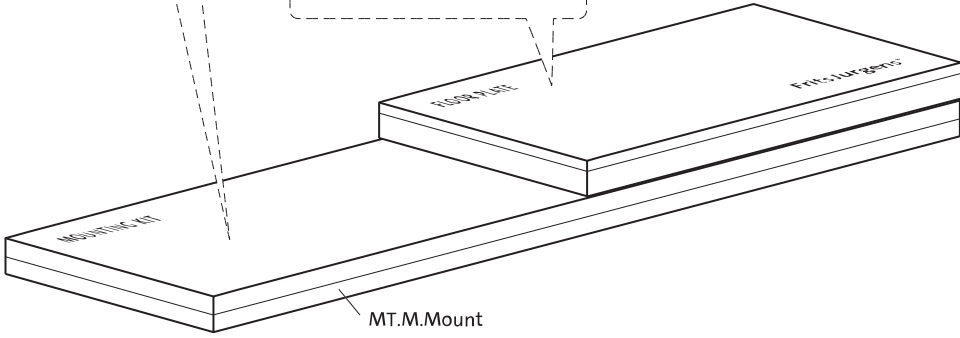
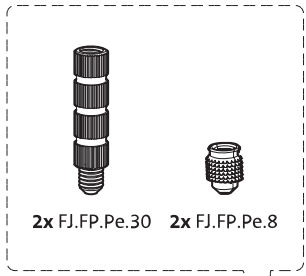
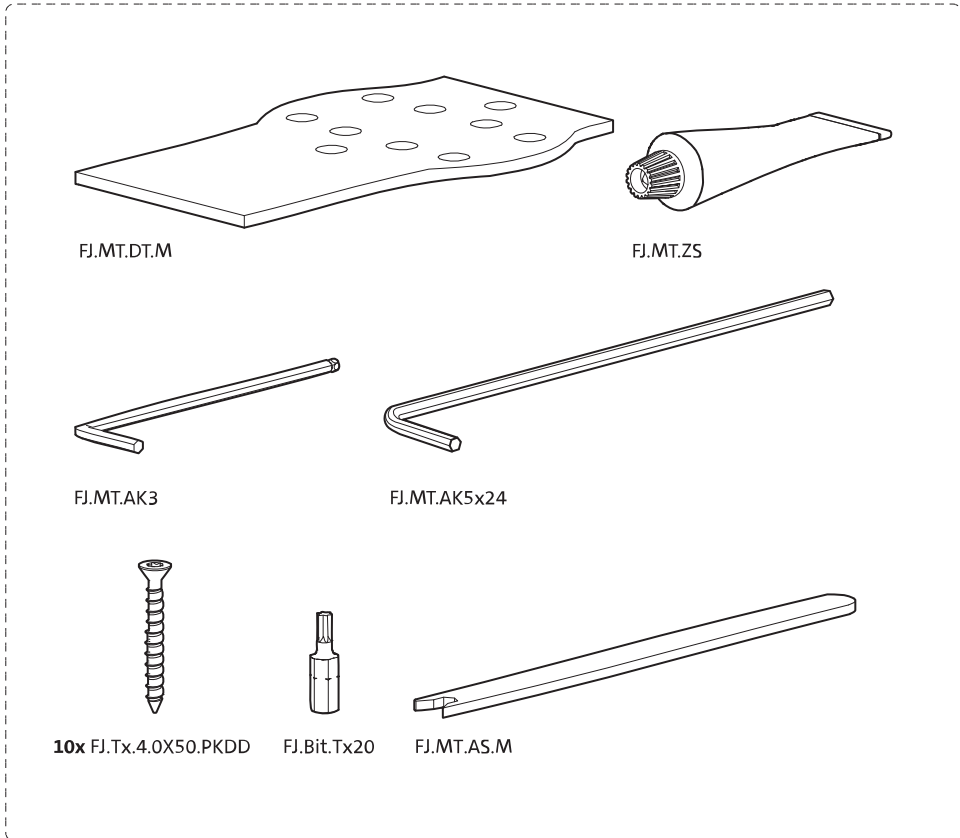


FP.M.X.X.FR.SS



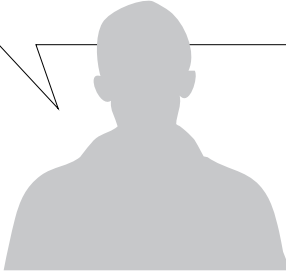


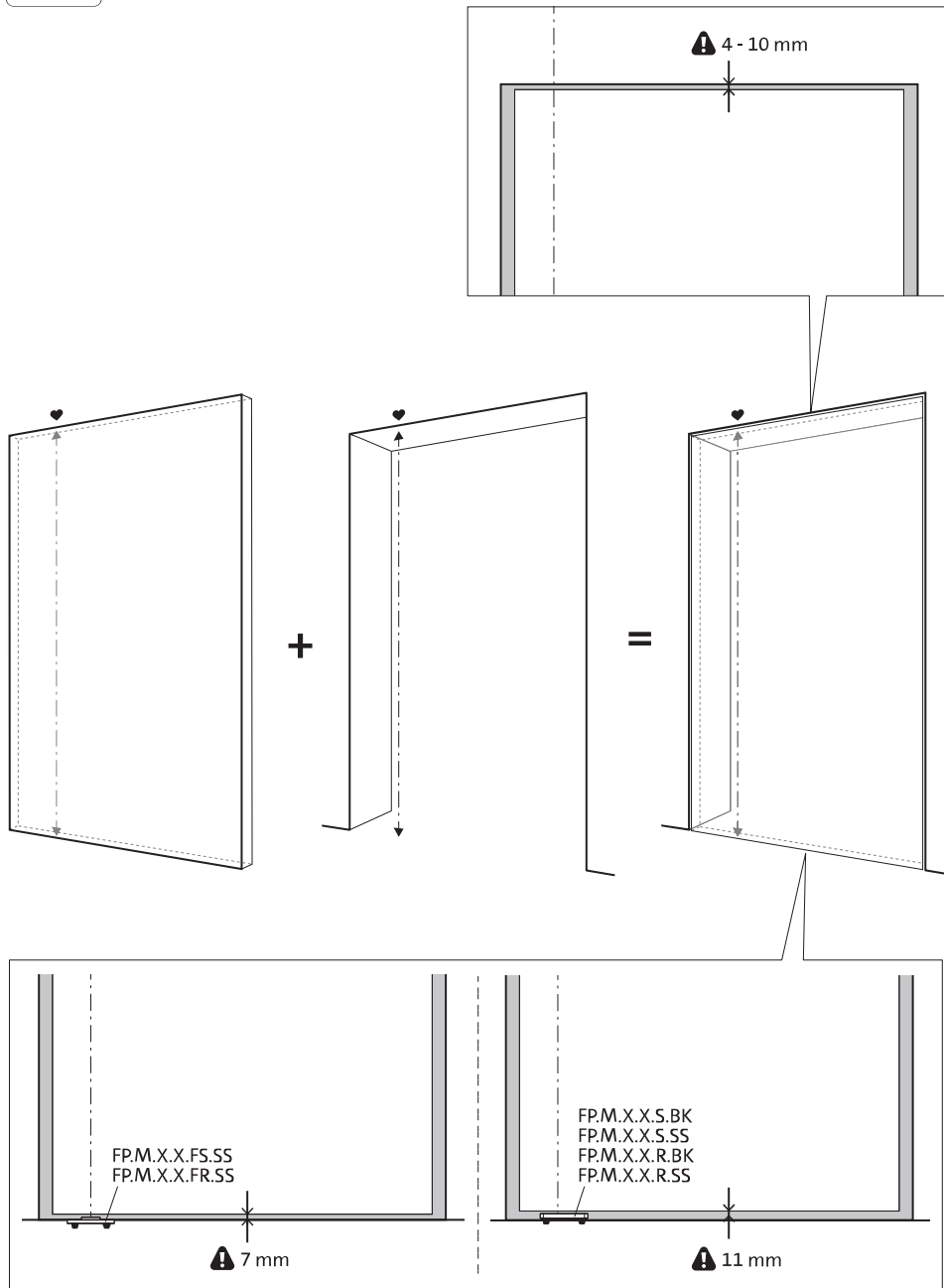
Mounting instructions

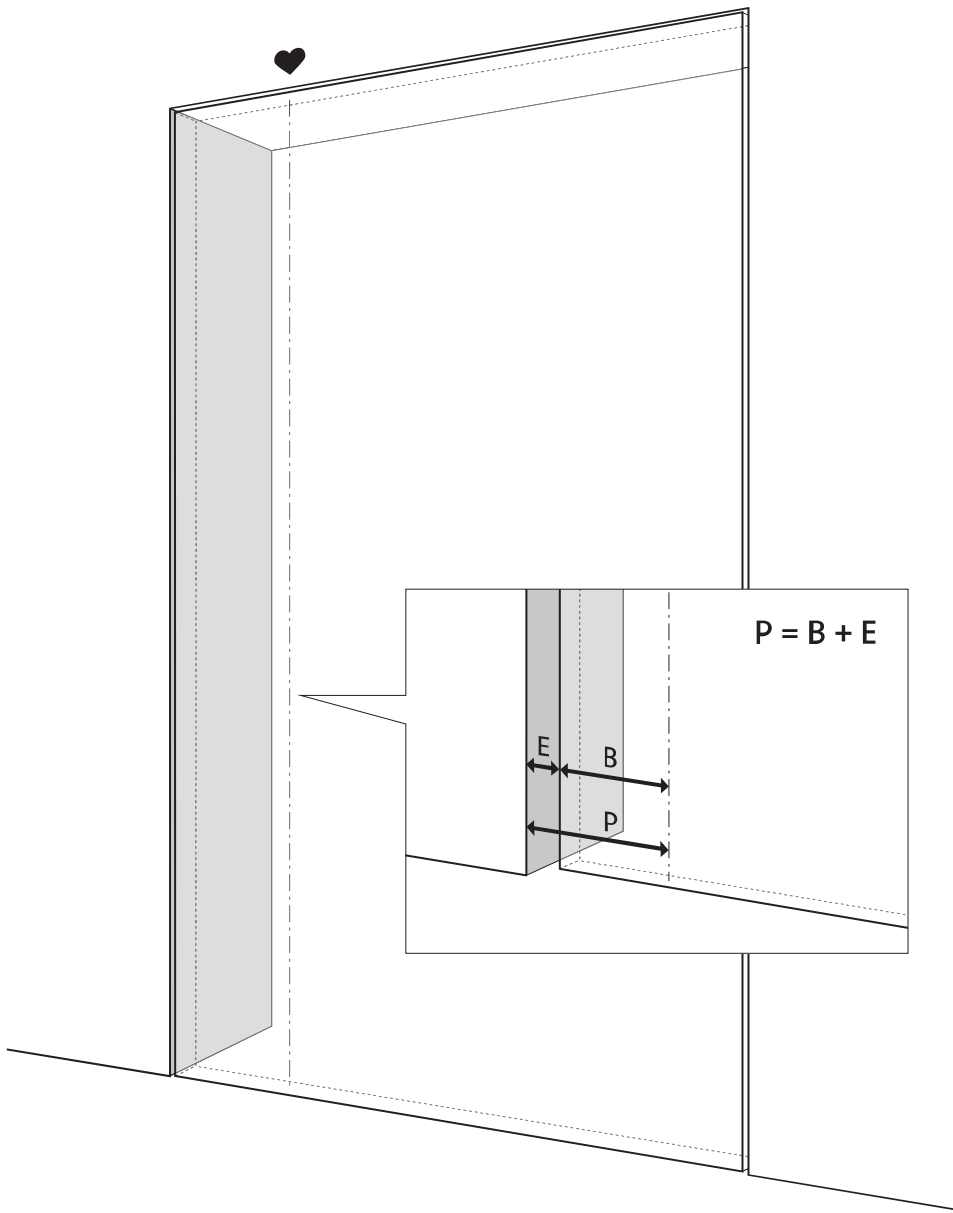


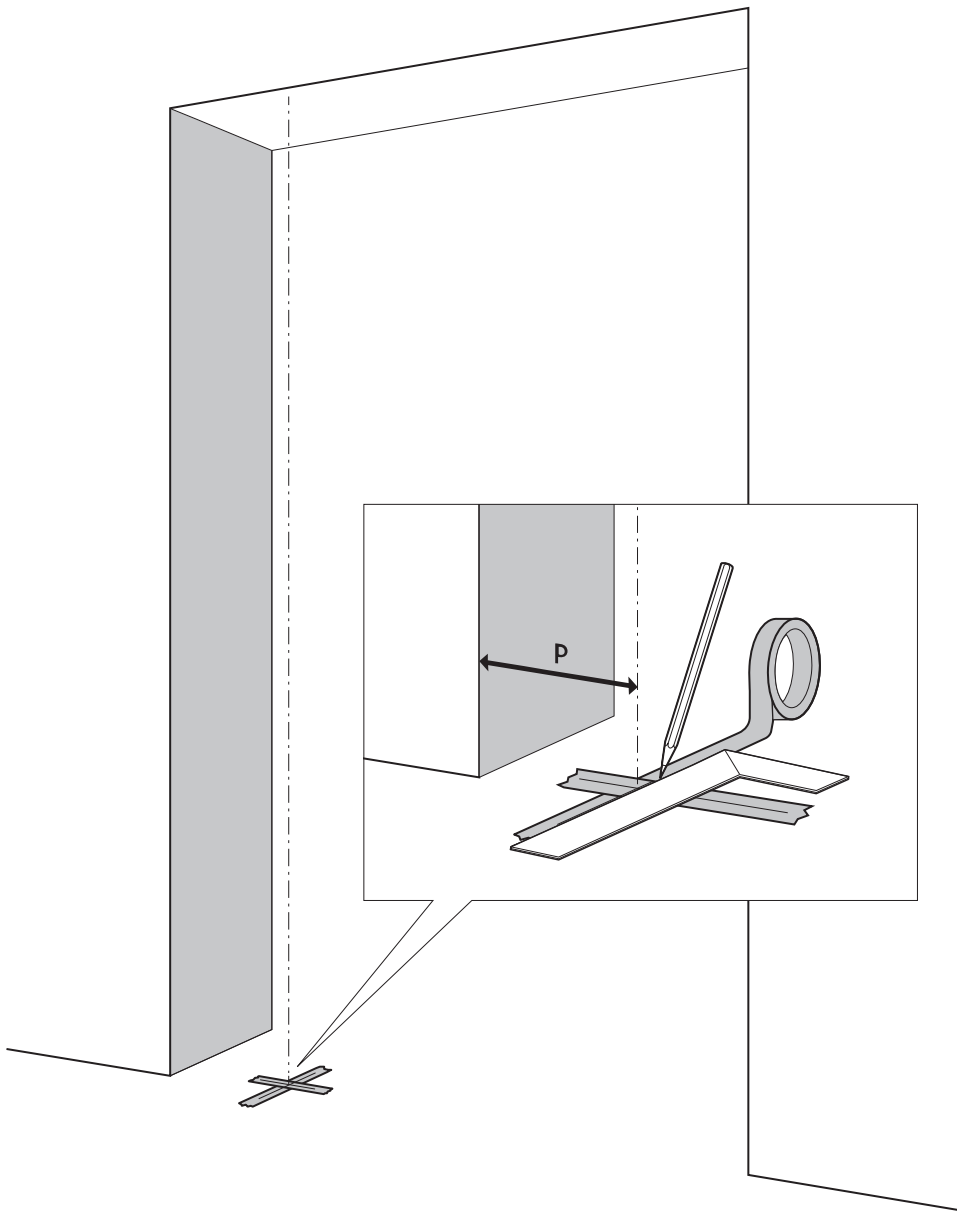


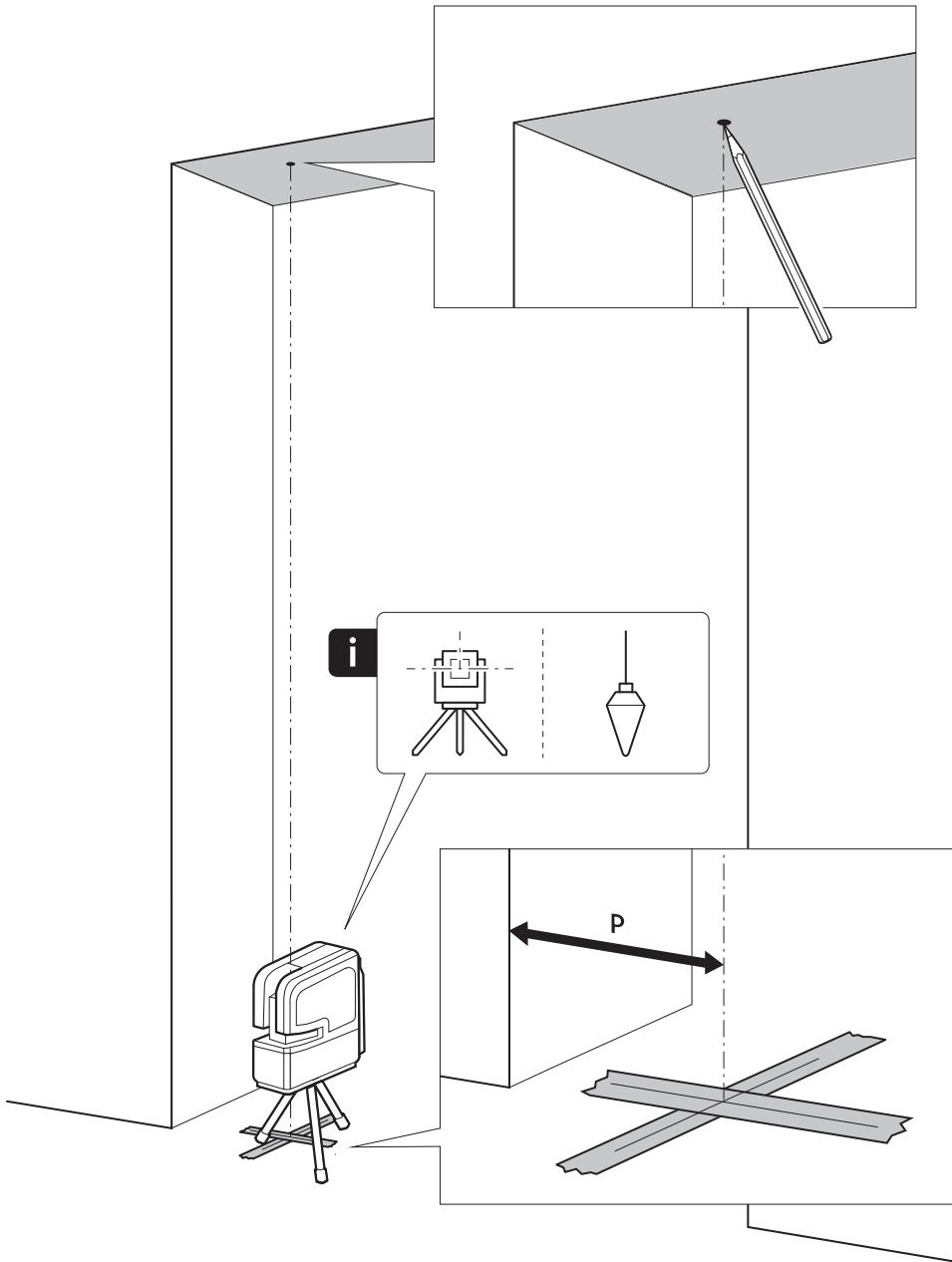
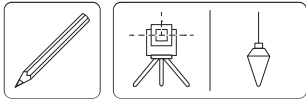
To.M

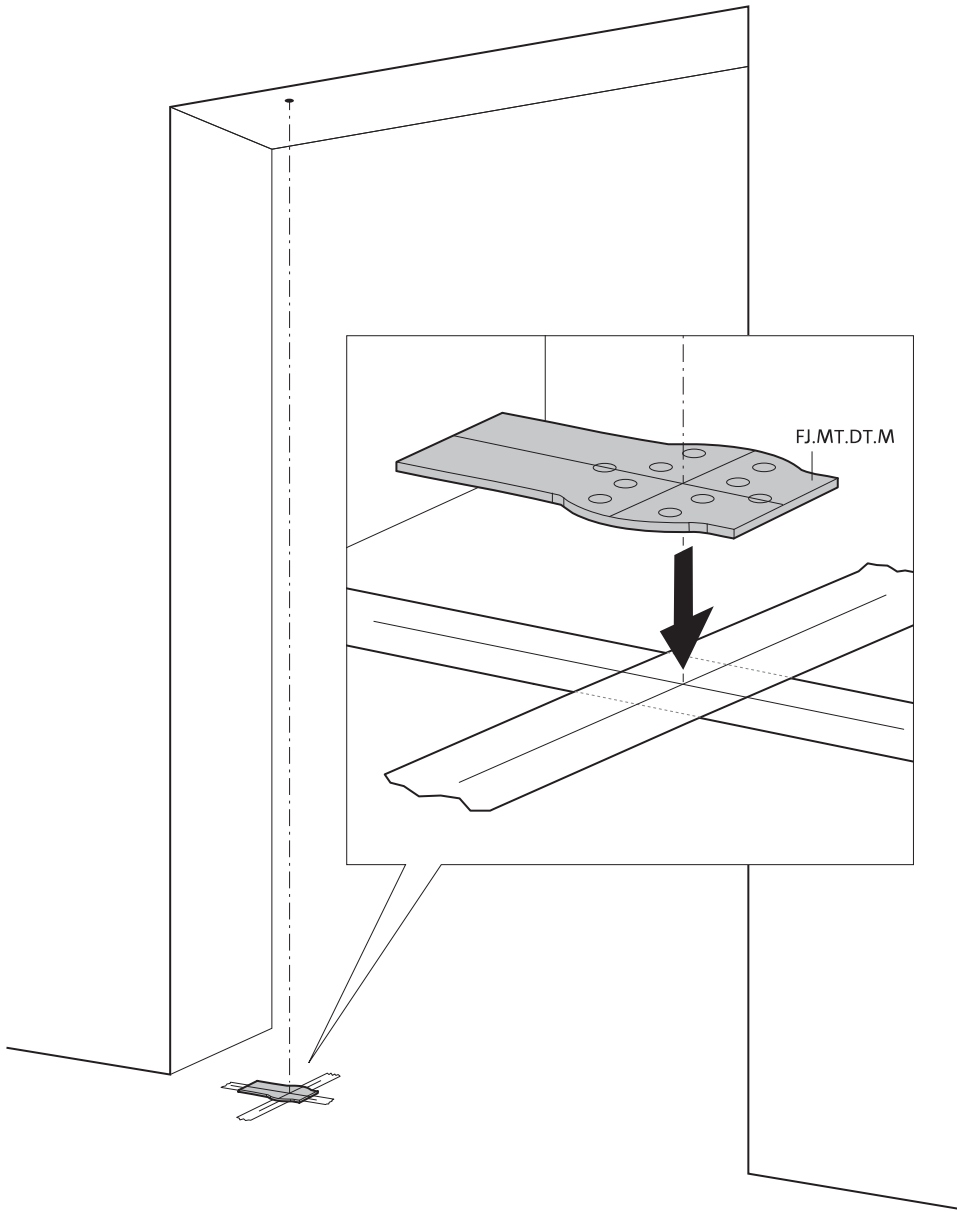


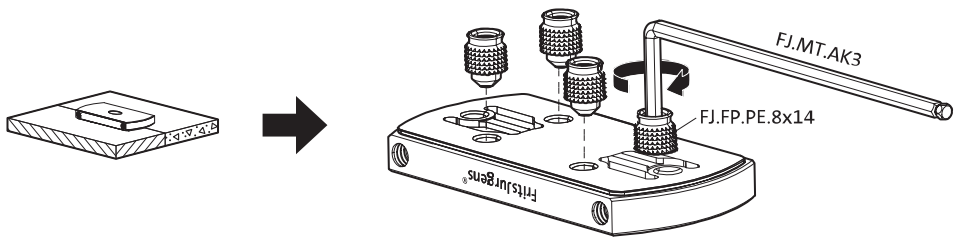
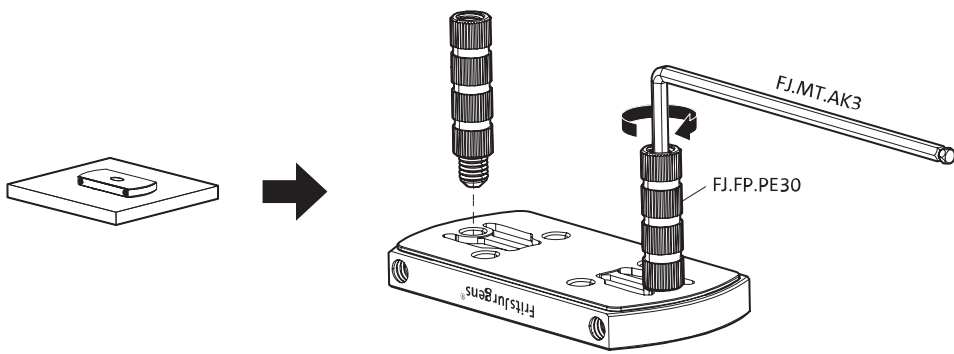
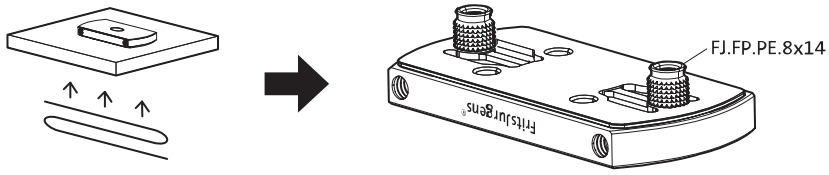






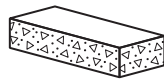




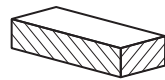




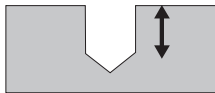
ø8 mm (5/16")



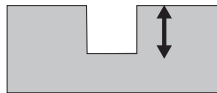
ø8 mm (5/16")



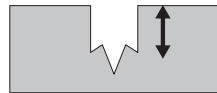
ø7.5 mm (19/64")



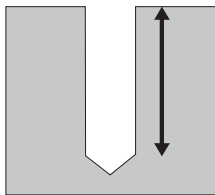
8 mm (5/16")



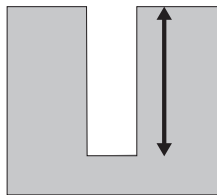
8 mm (5/16")



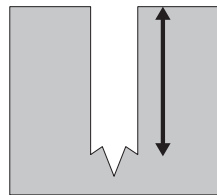
8 mm (5/16")



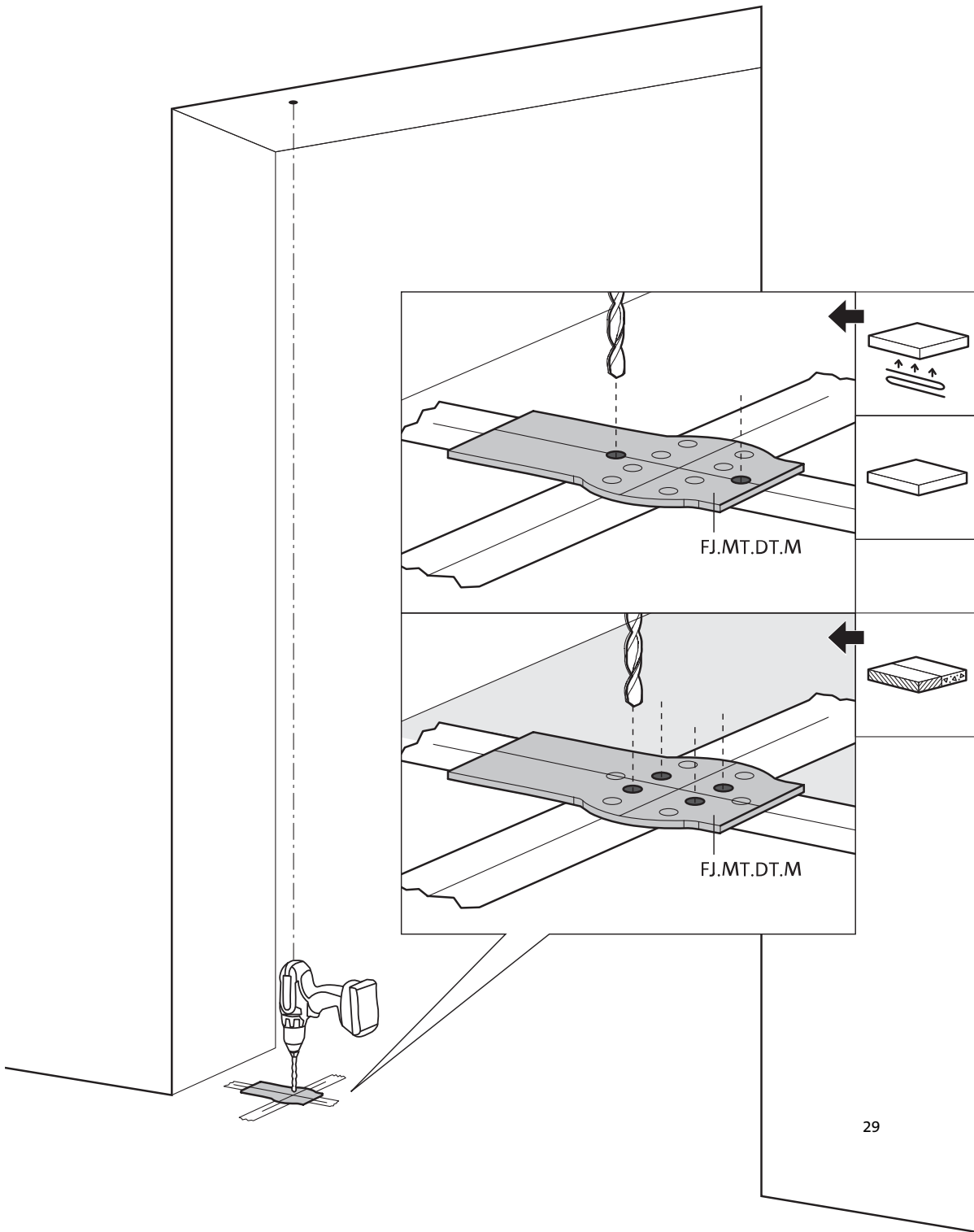
30 mm (13/16")

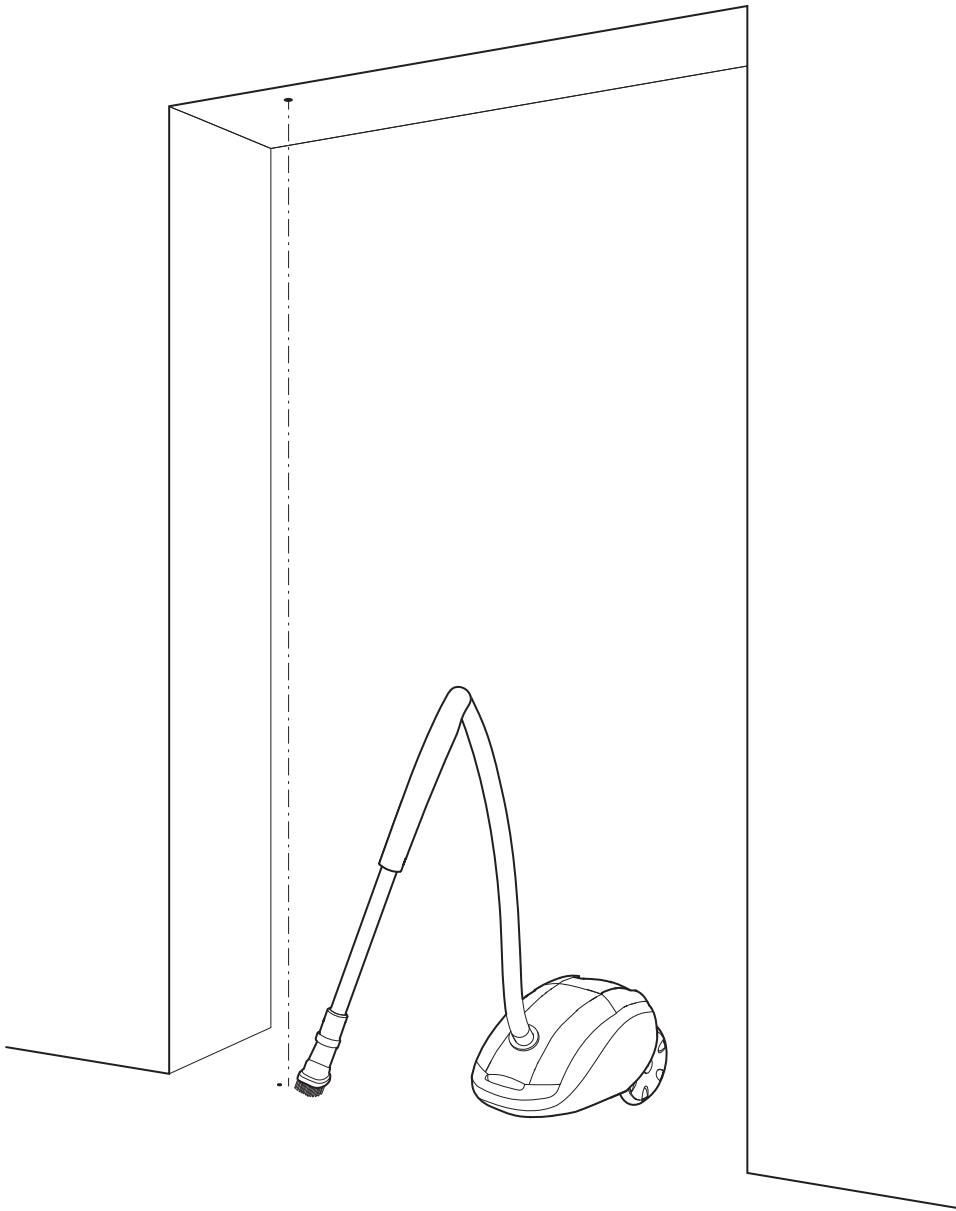


30 mm (13/16")



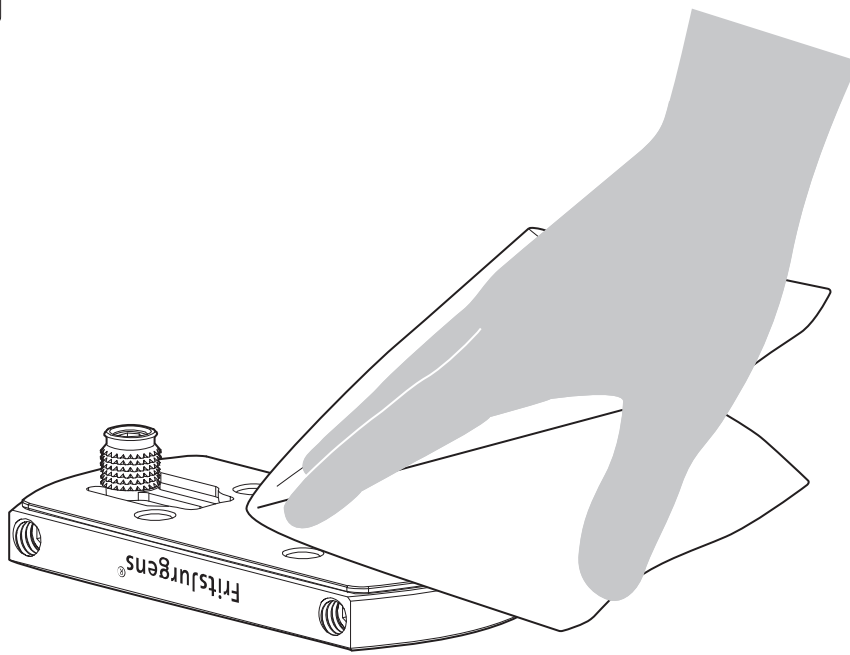
30 mm (13/16")



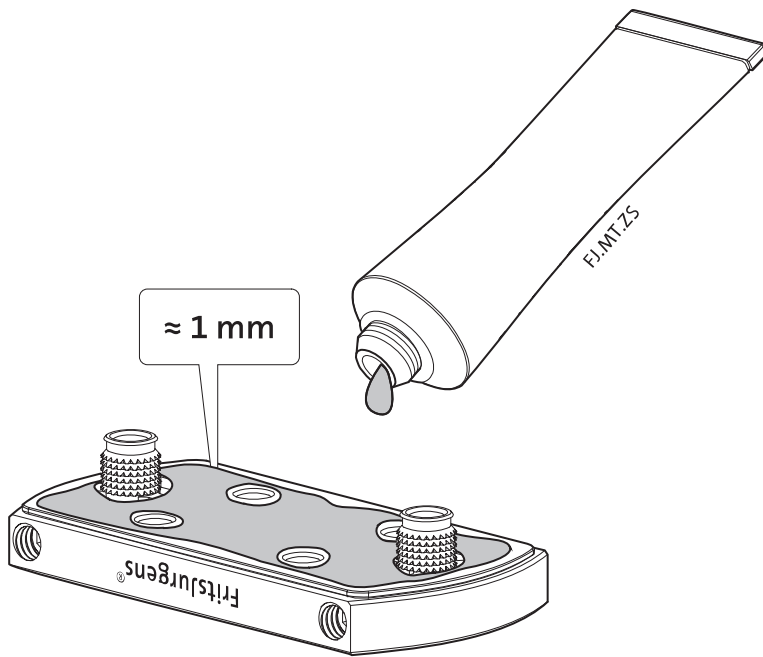


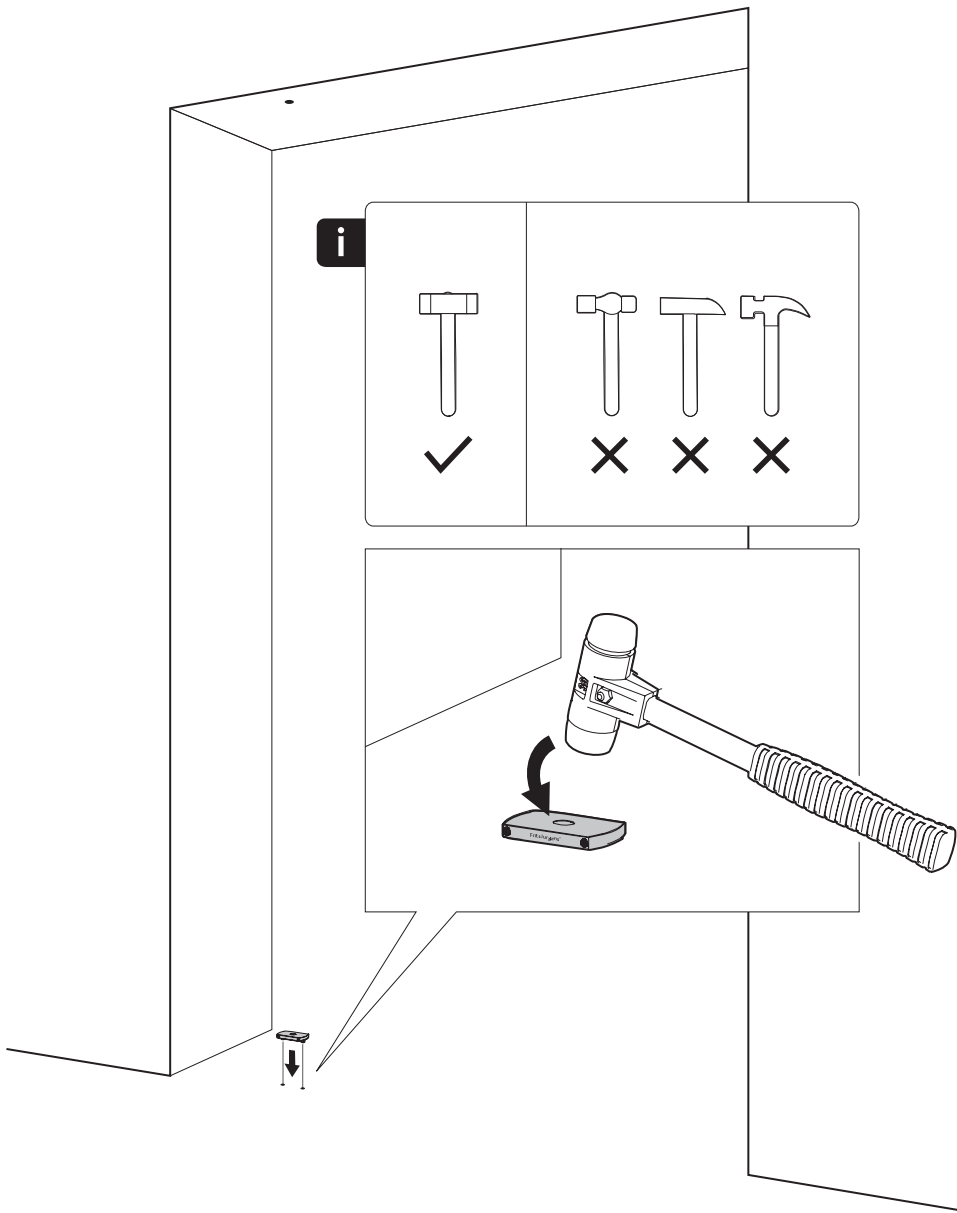


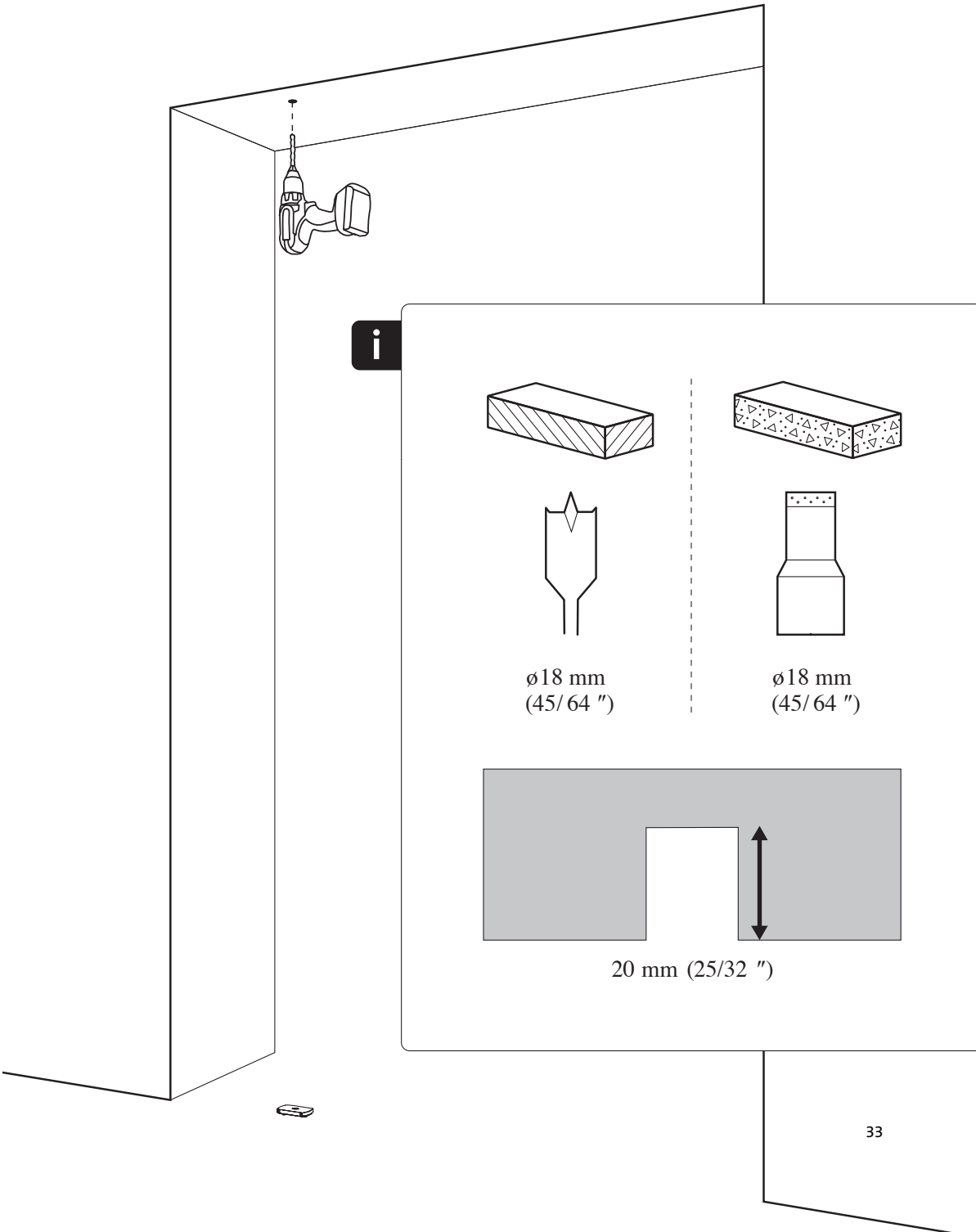
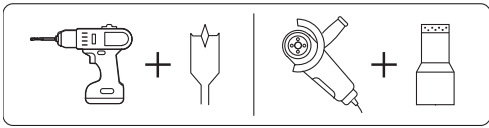
1



2

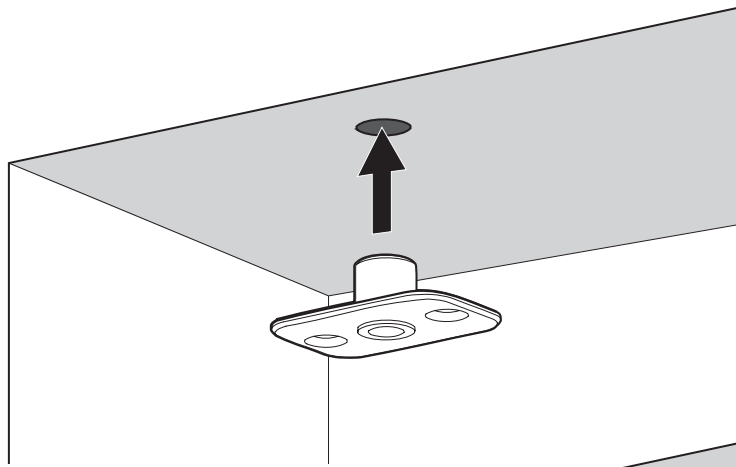




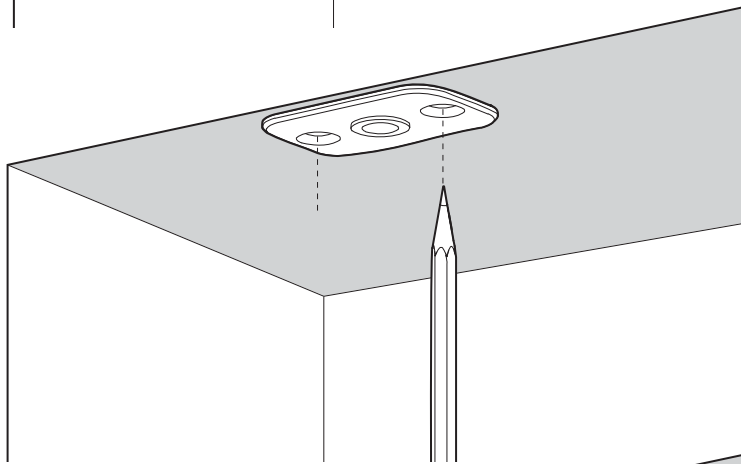




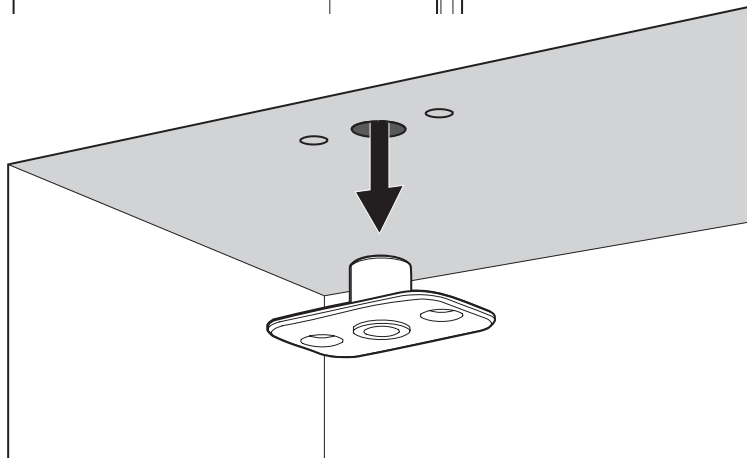
1



2

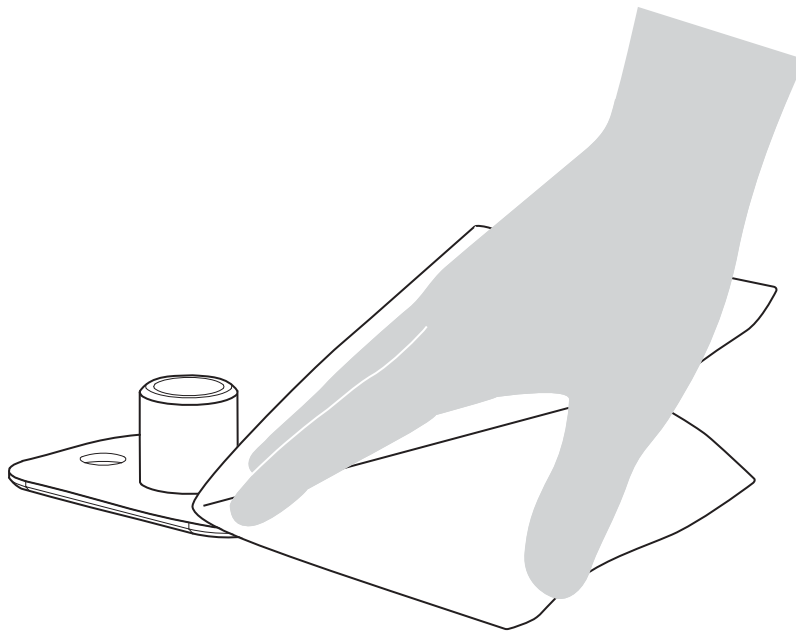


3

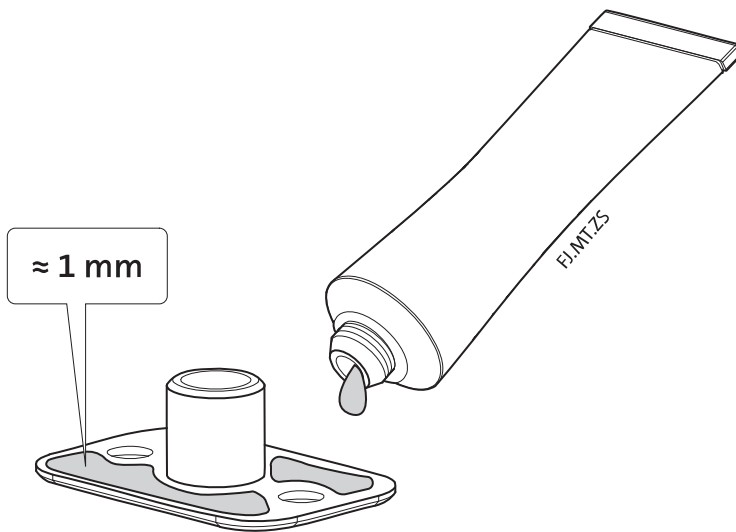


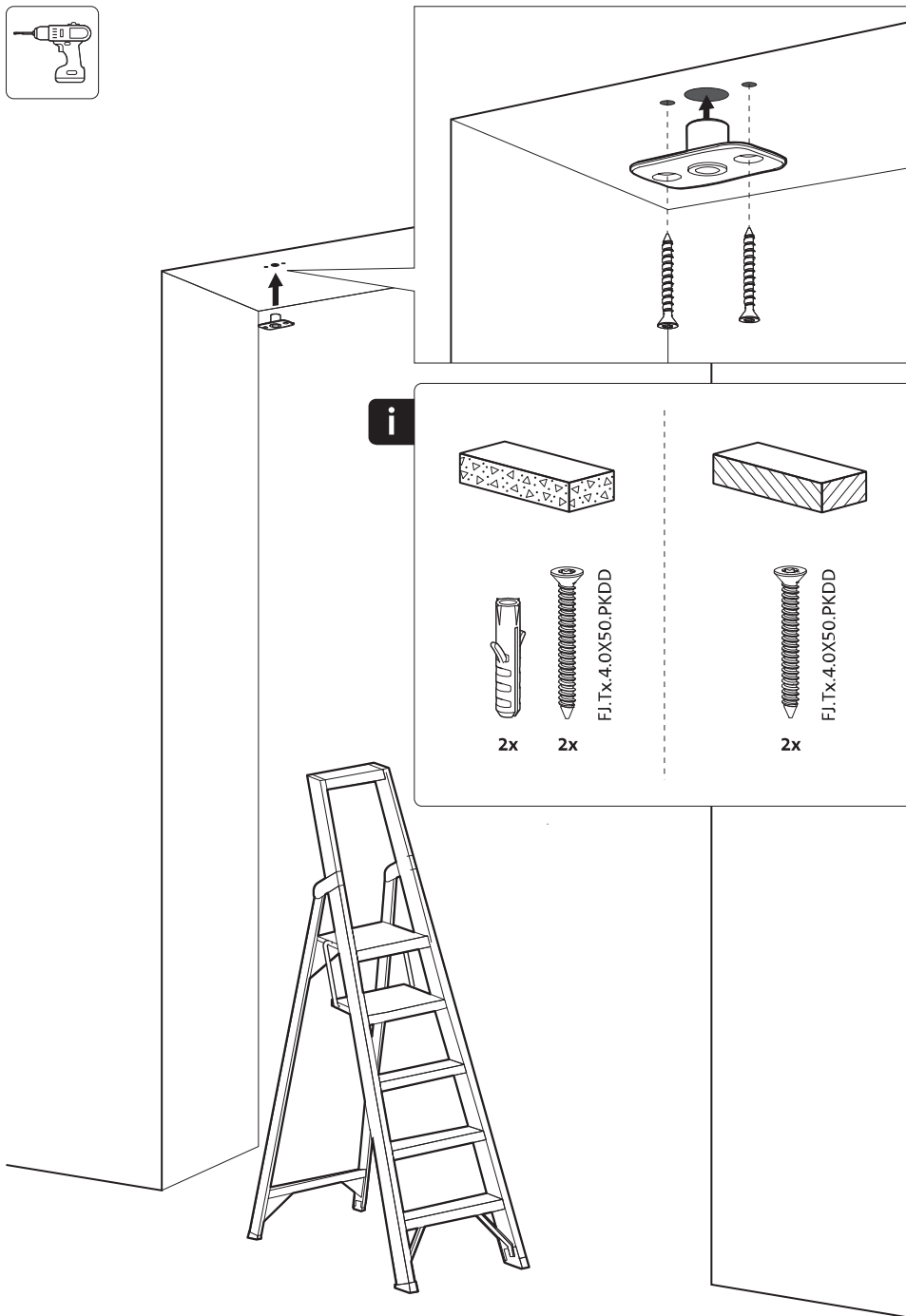


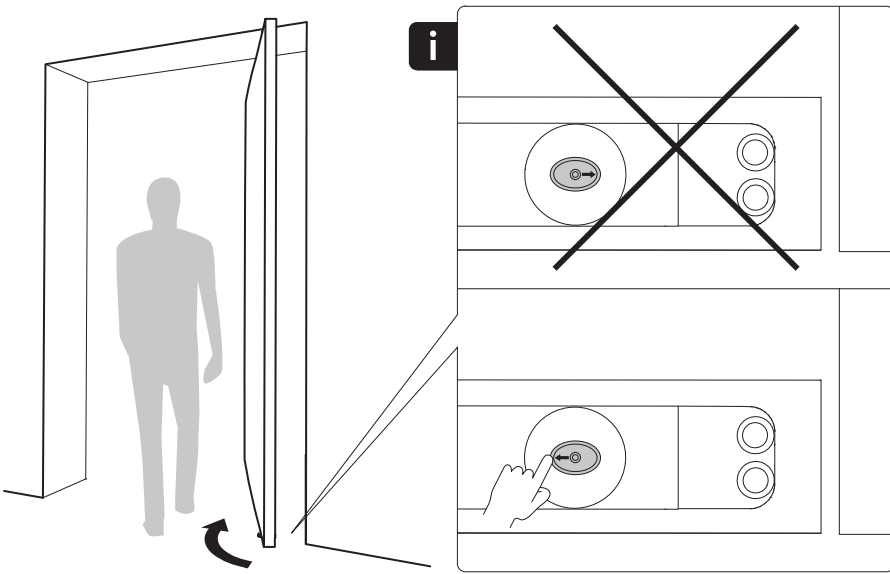
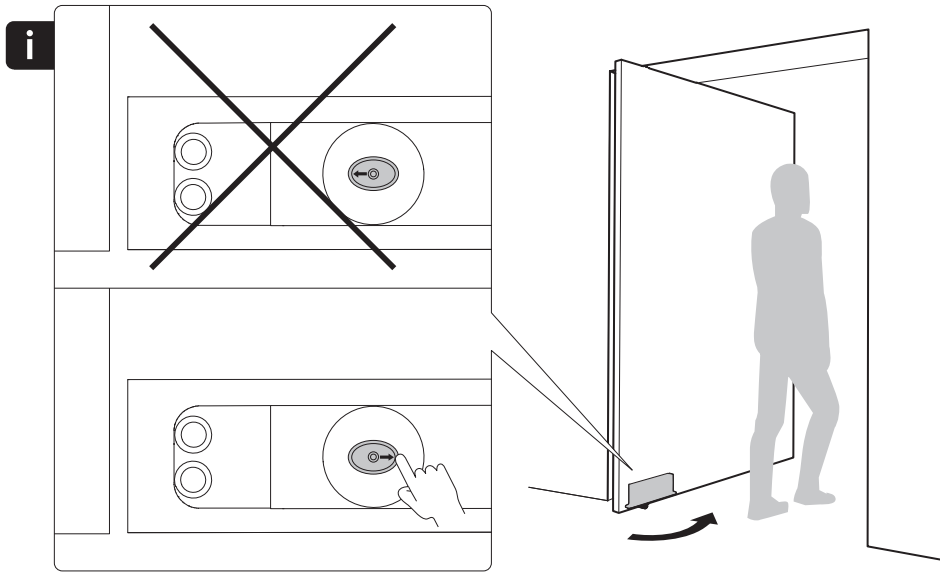
1

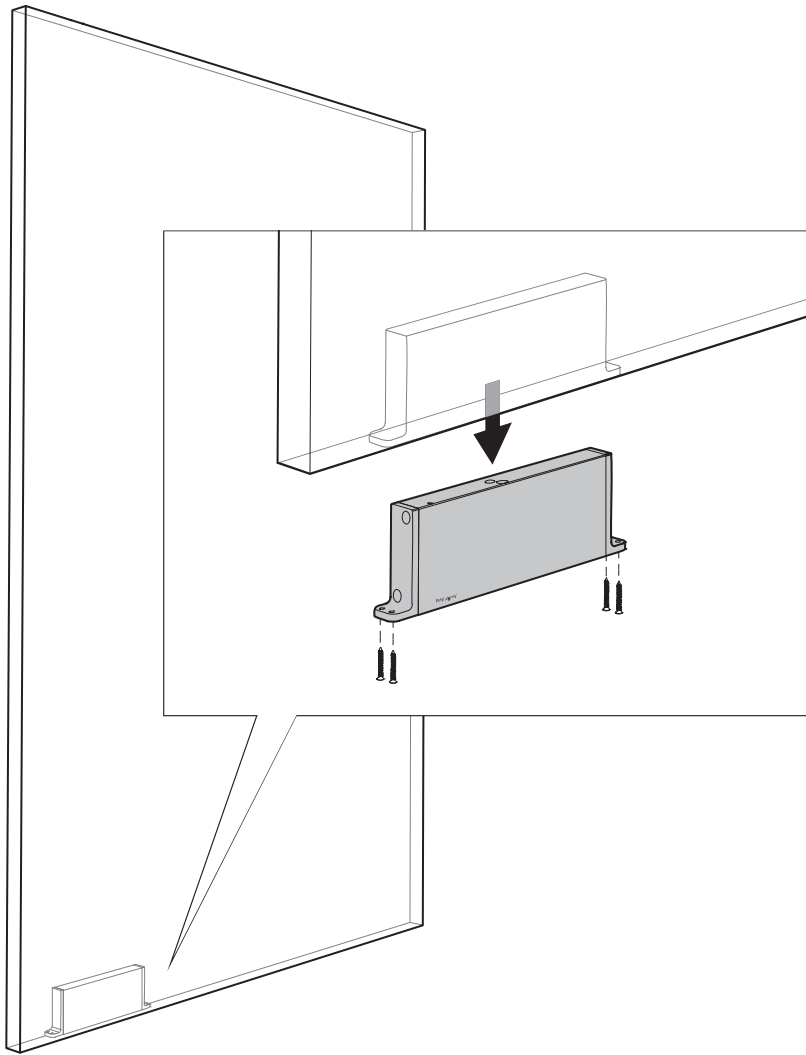


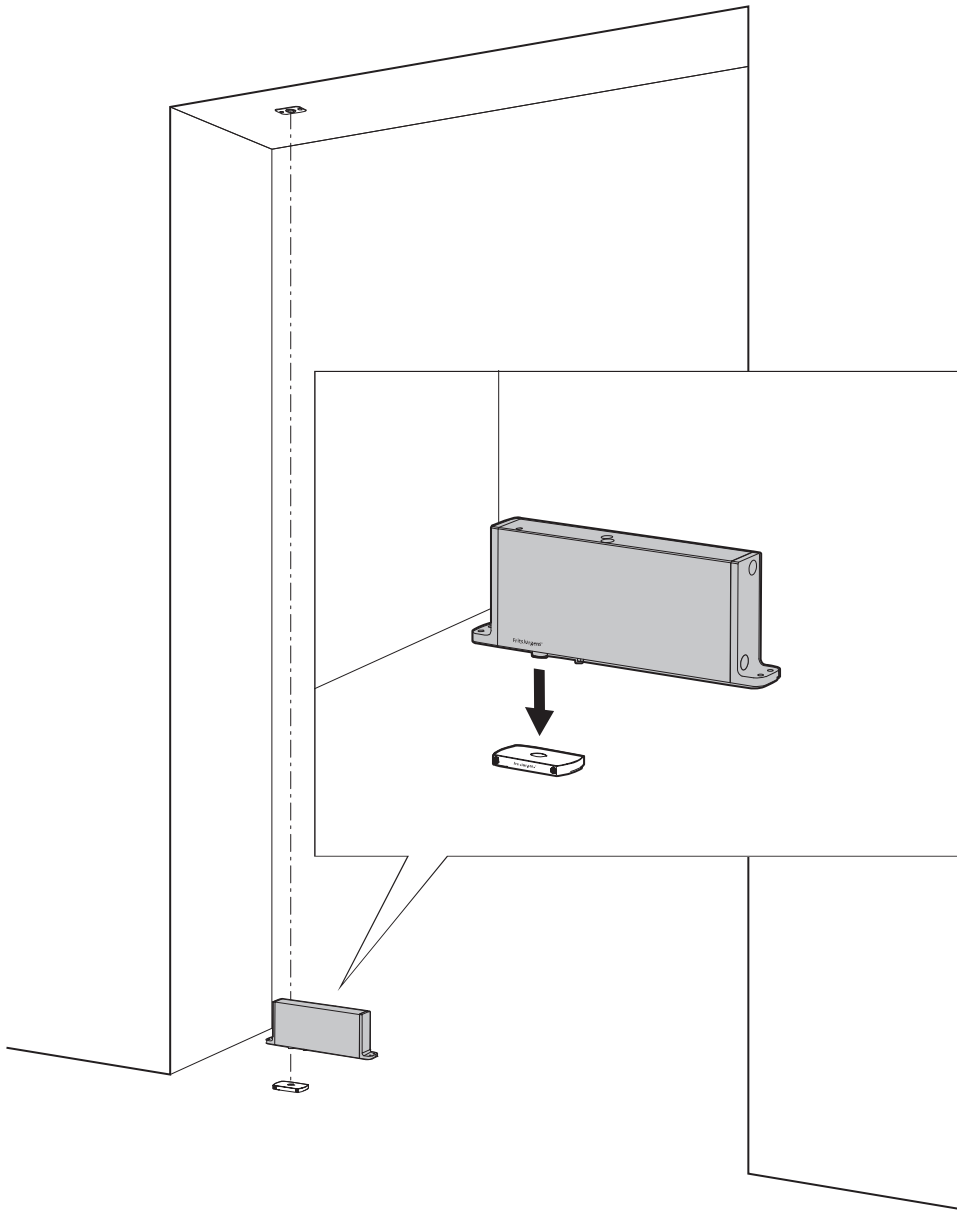
2

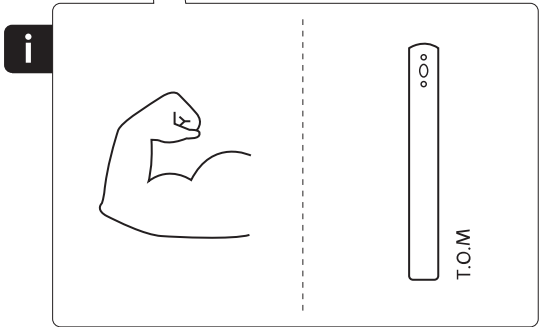
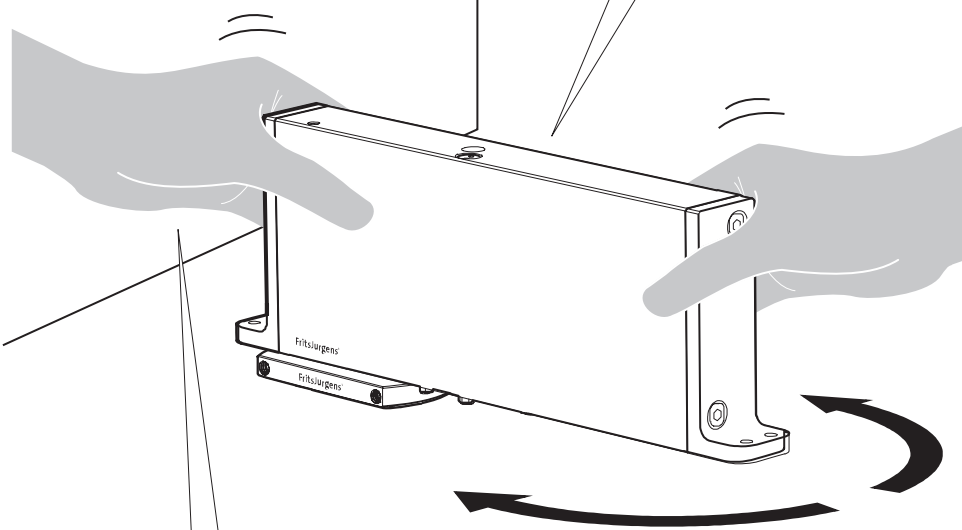
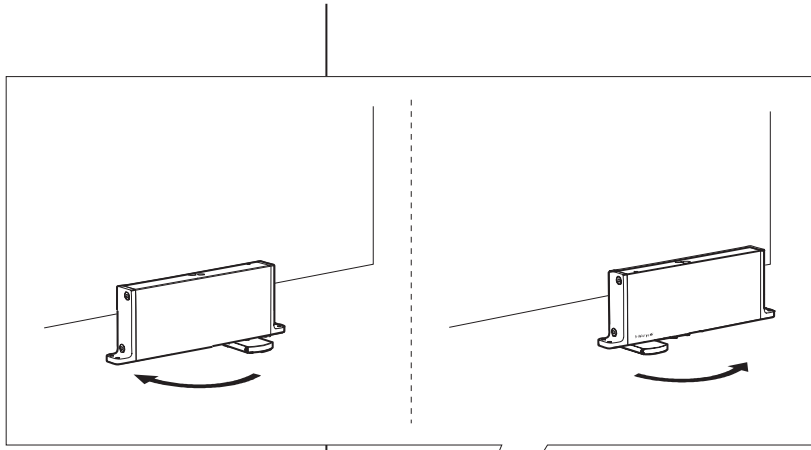


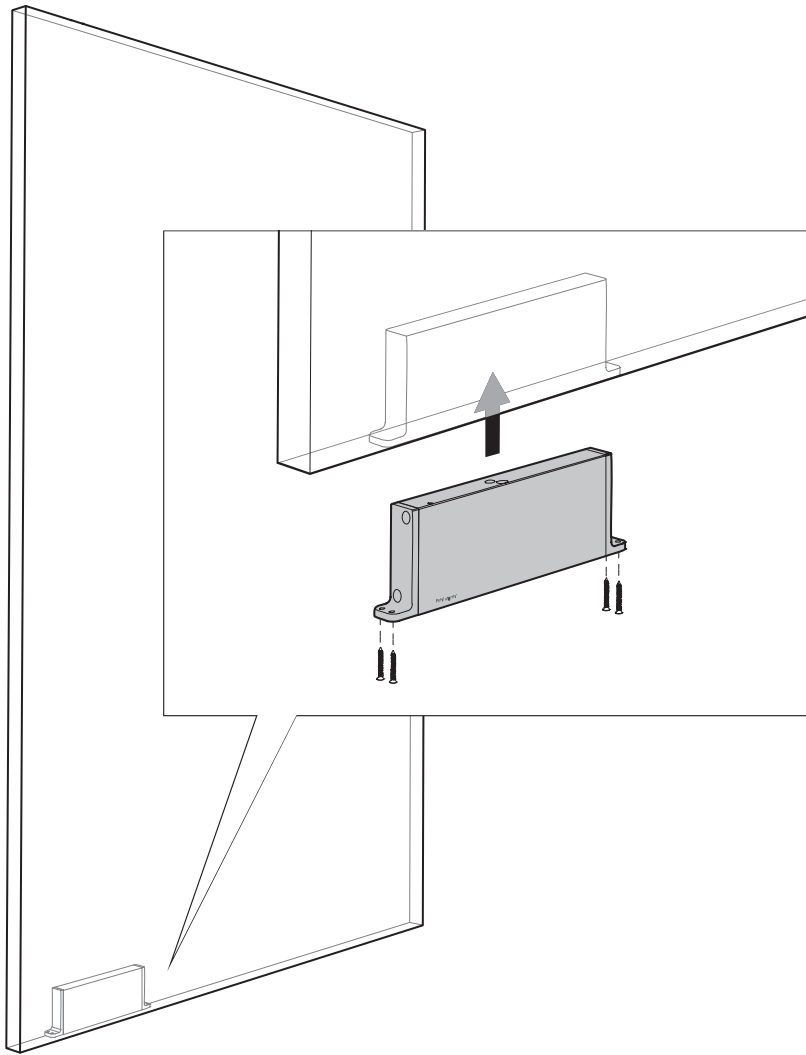


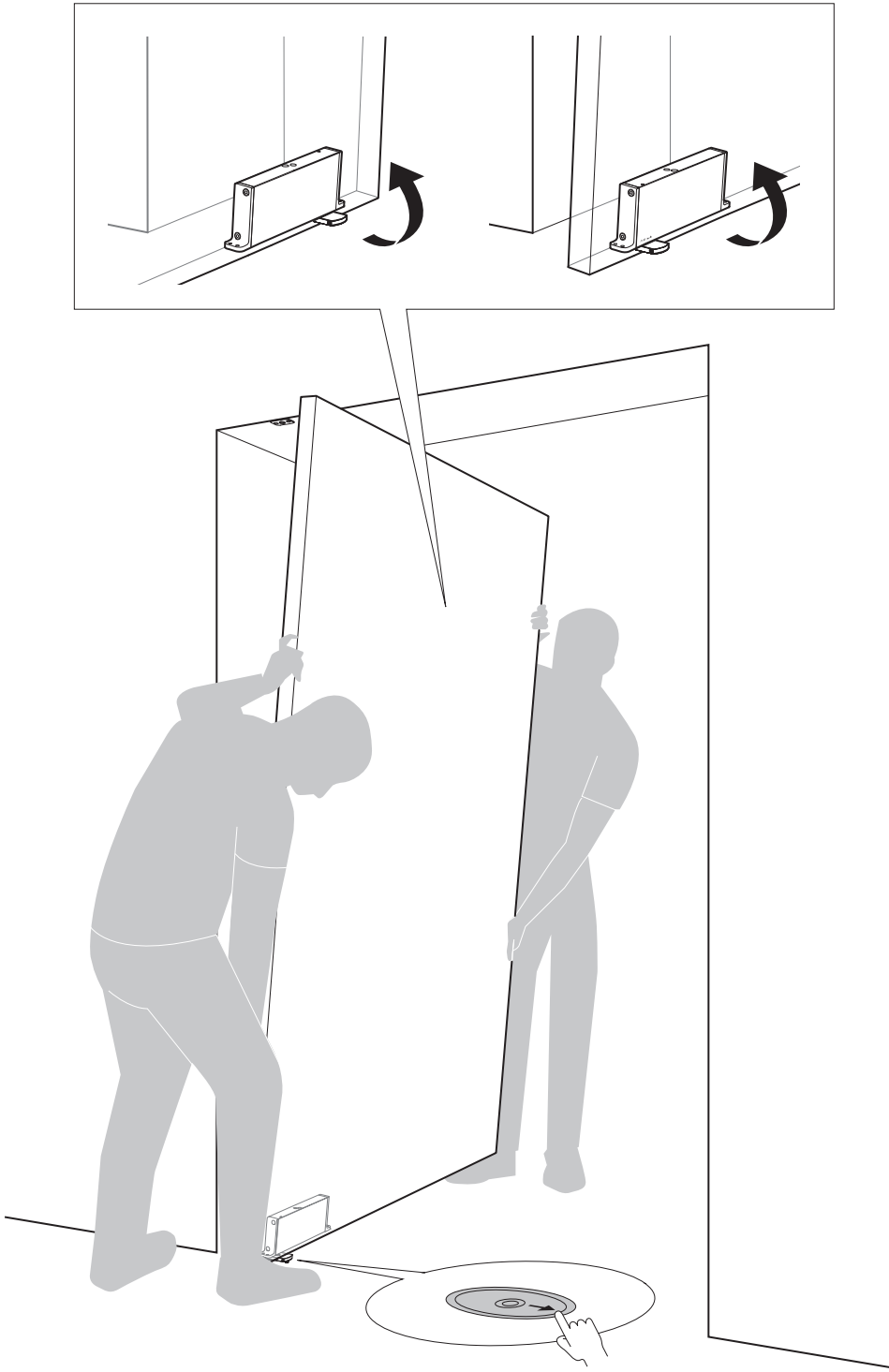


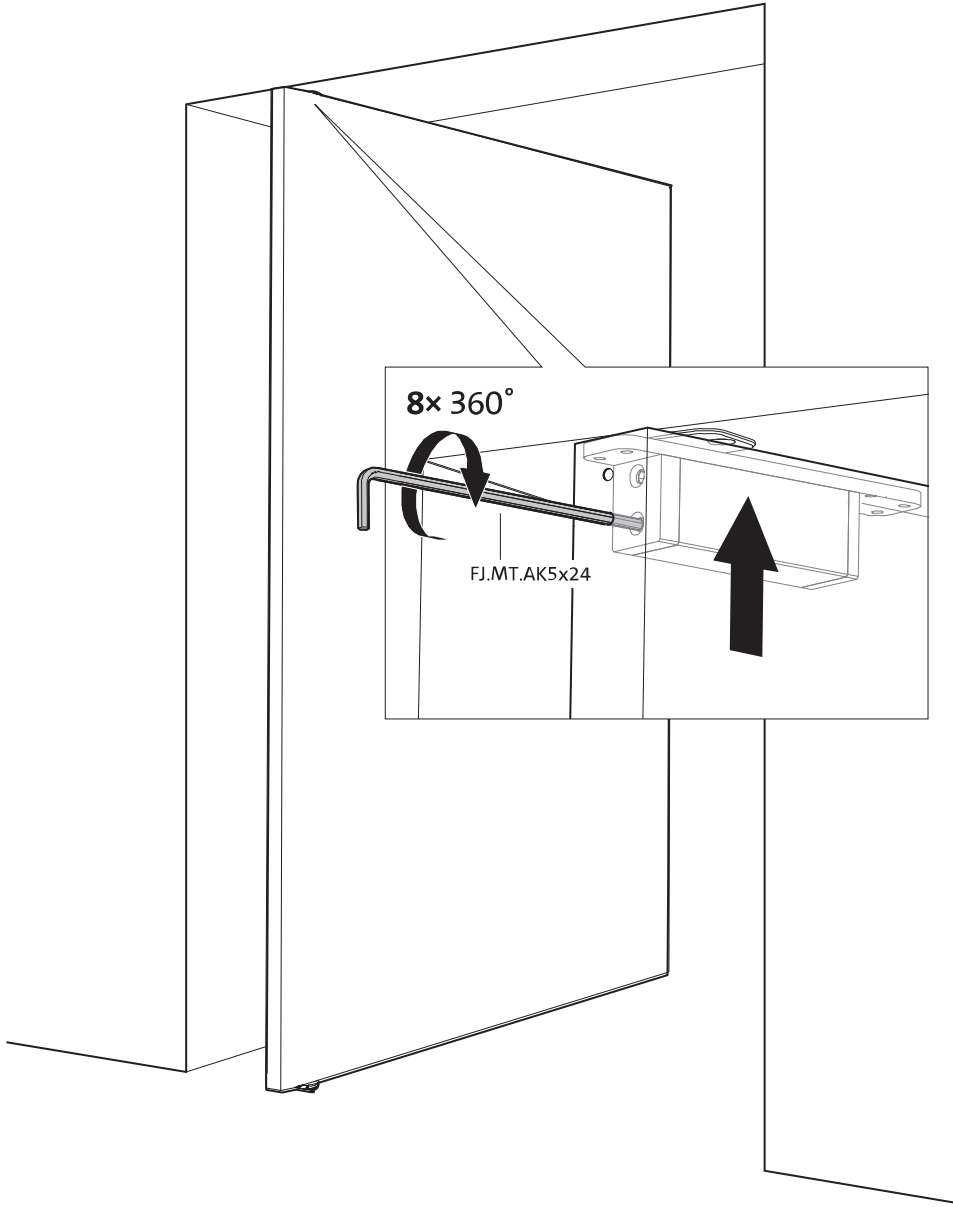
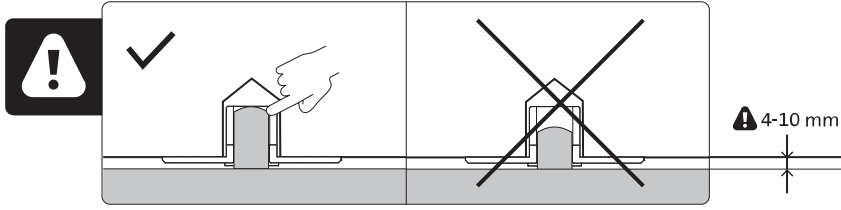


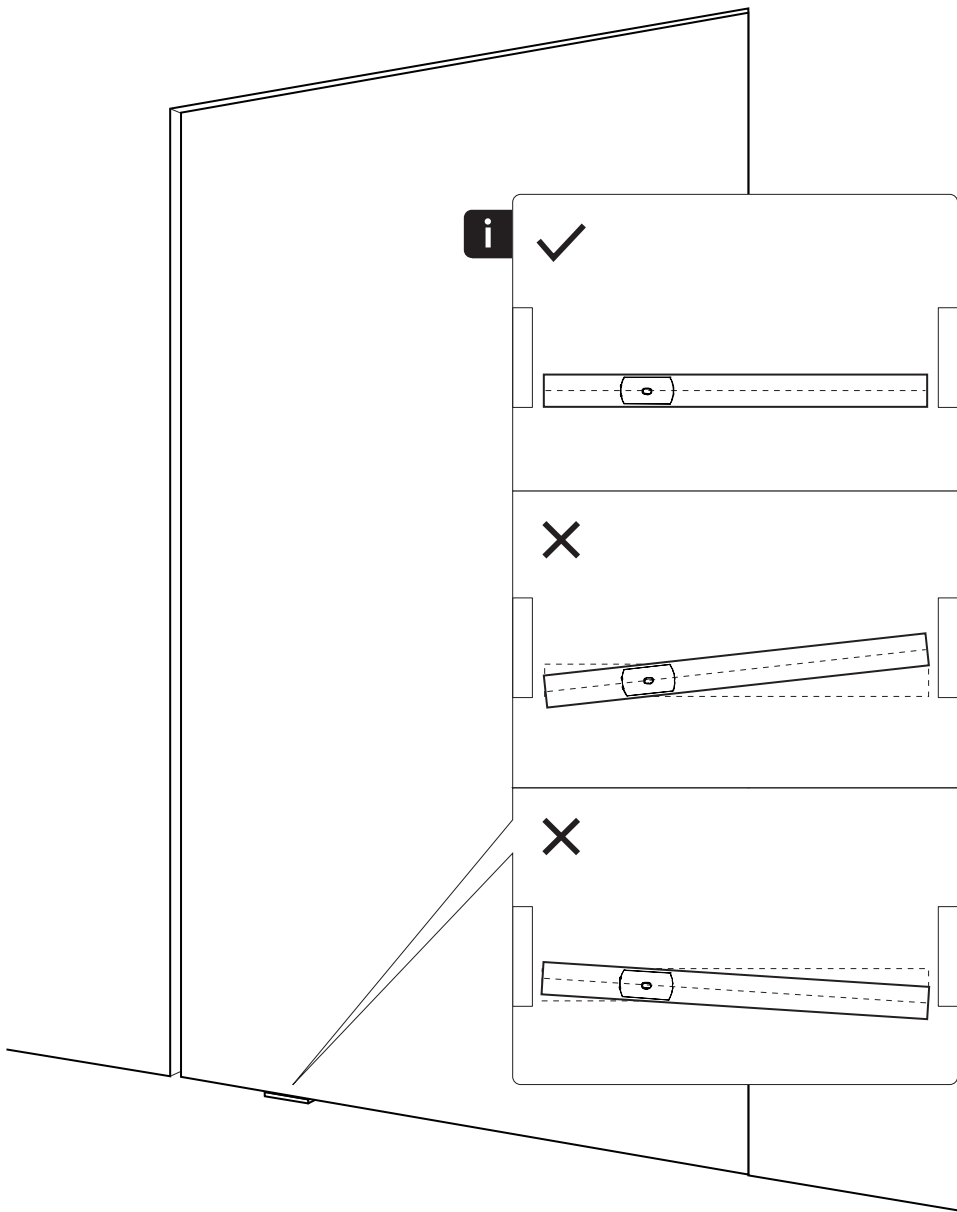


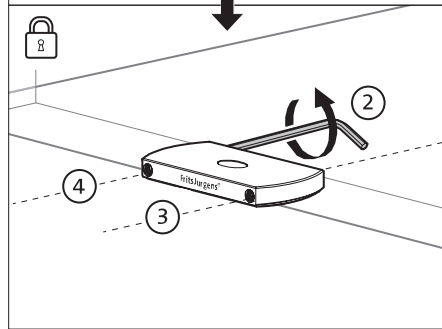
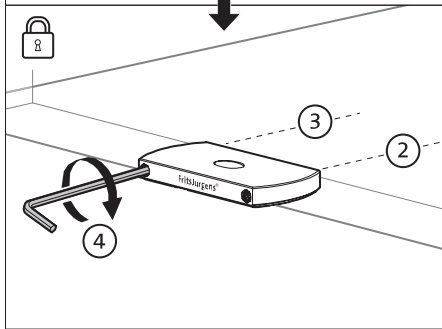
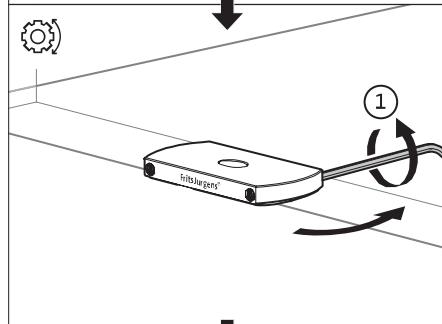
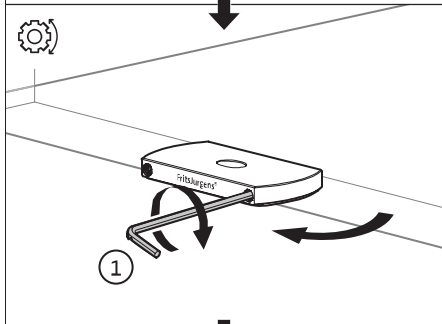
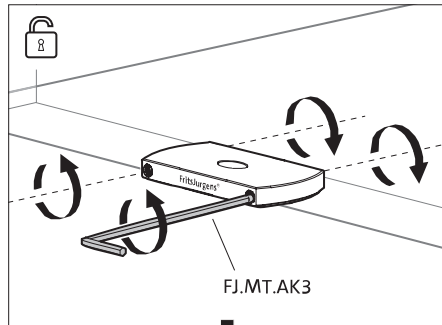
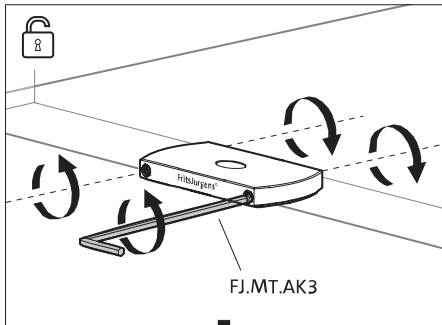
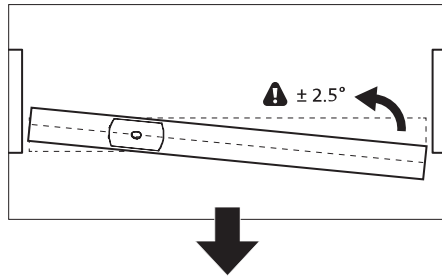
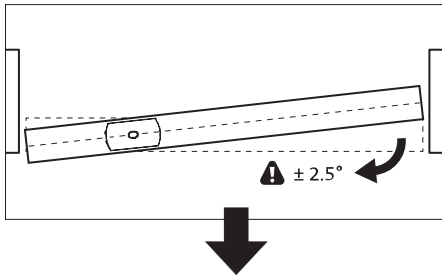


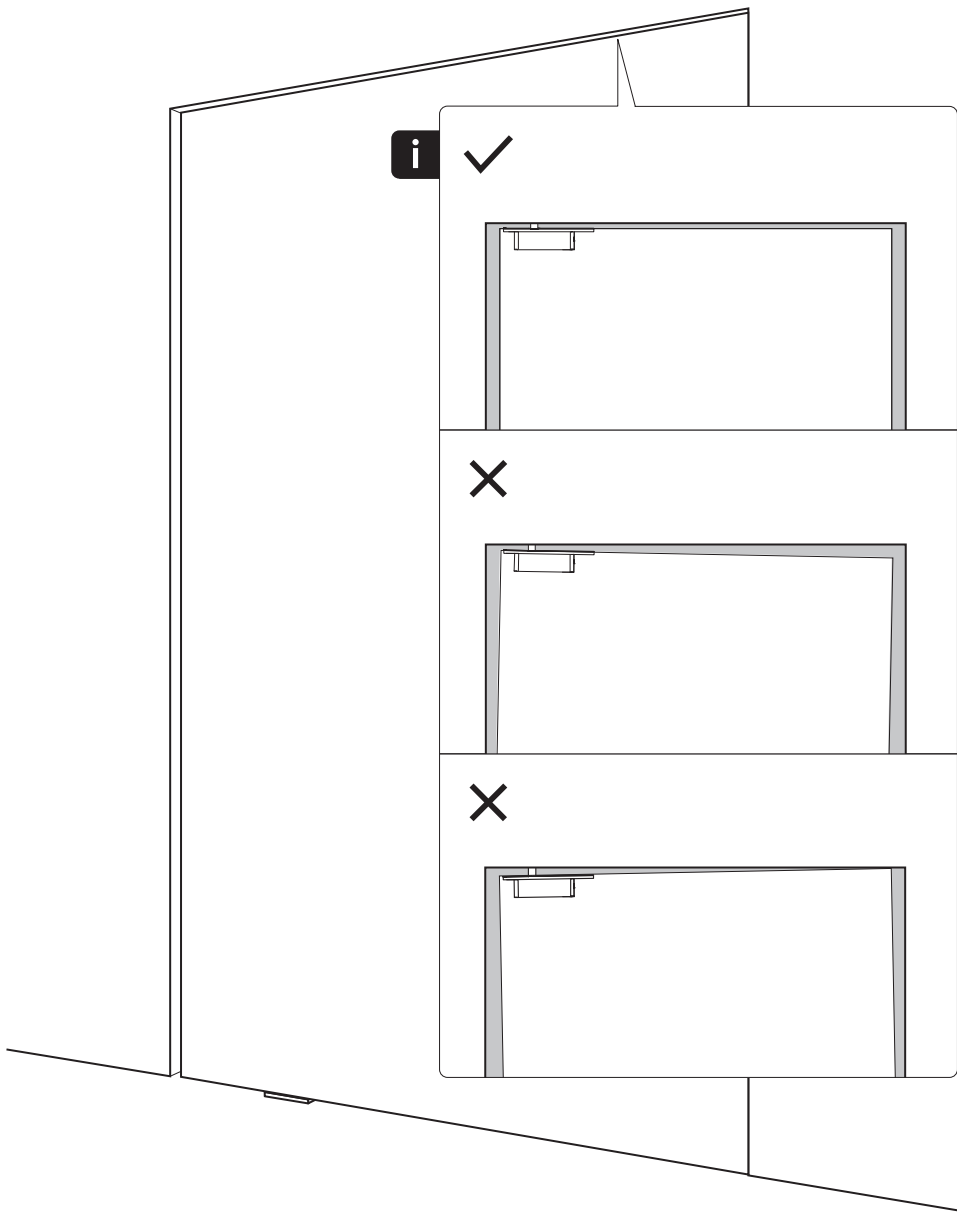


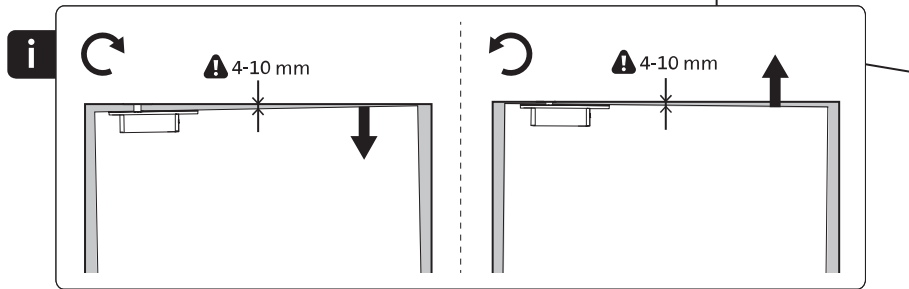
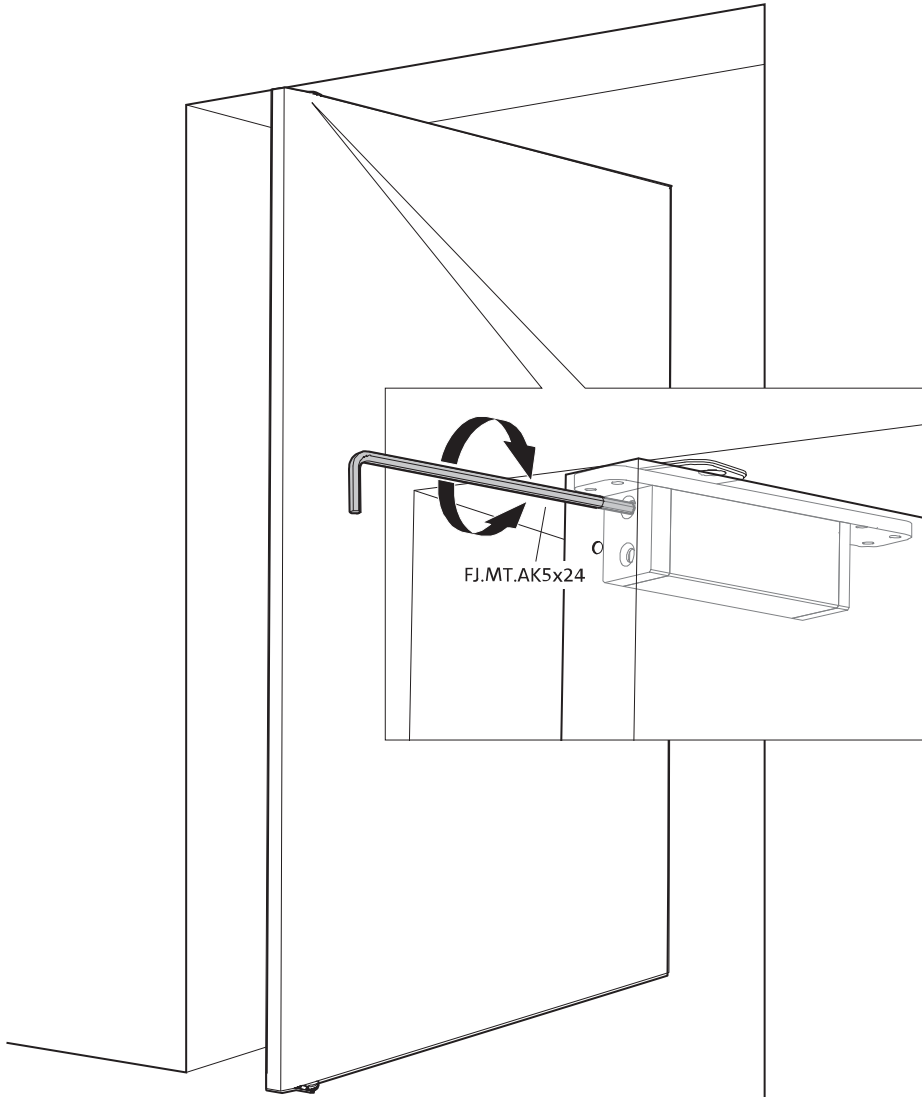


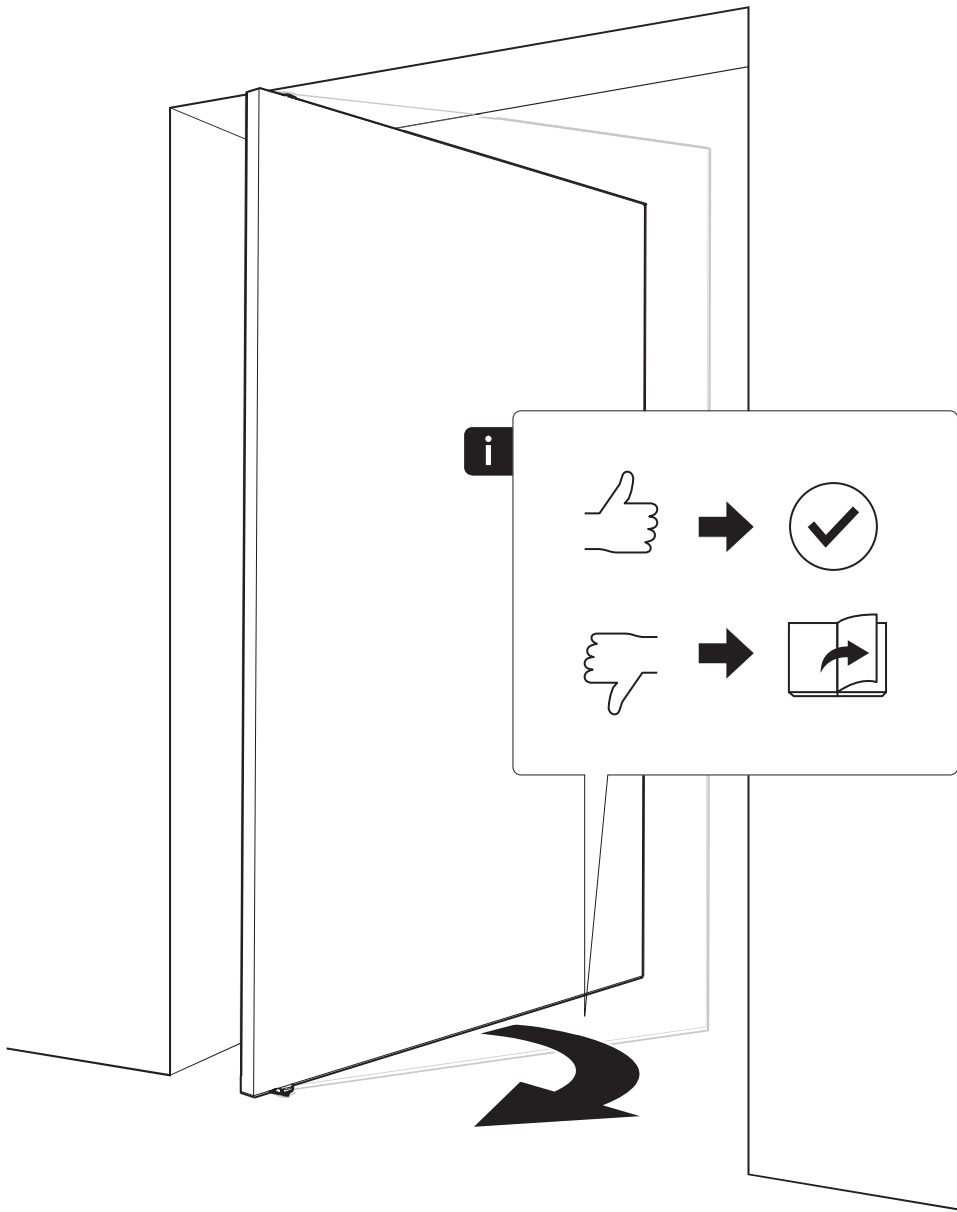


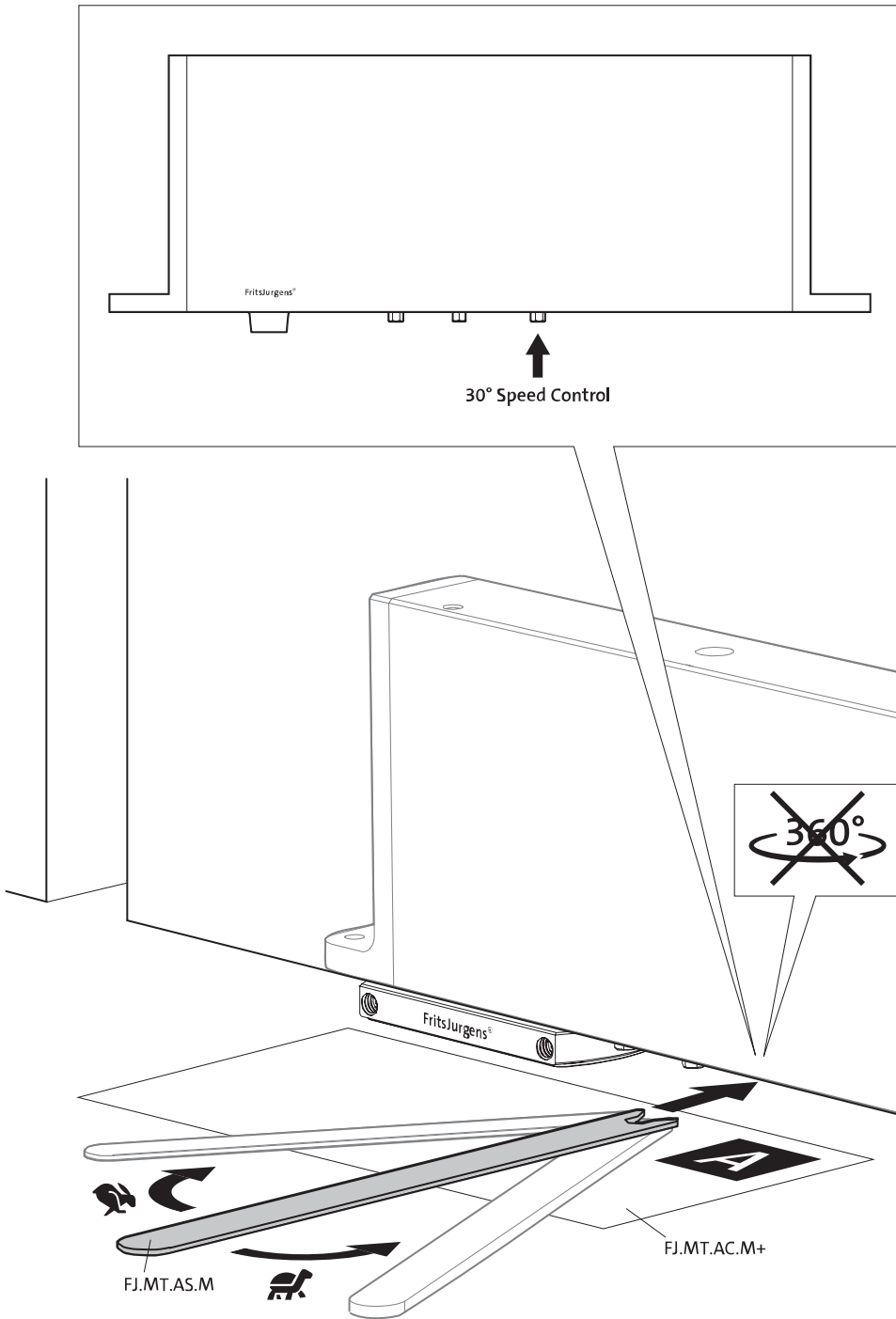




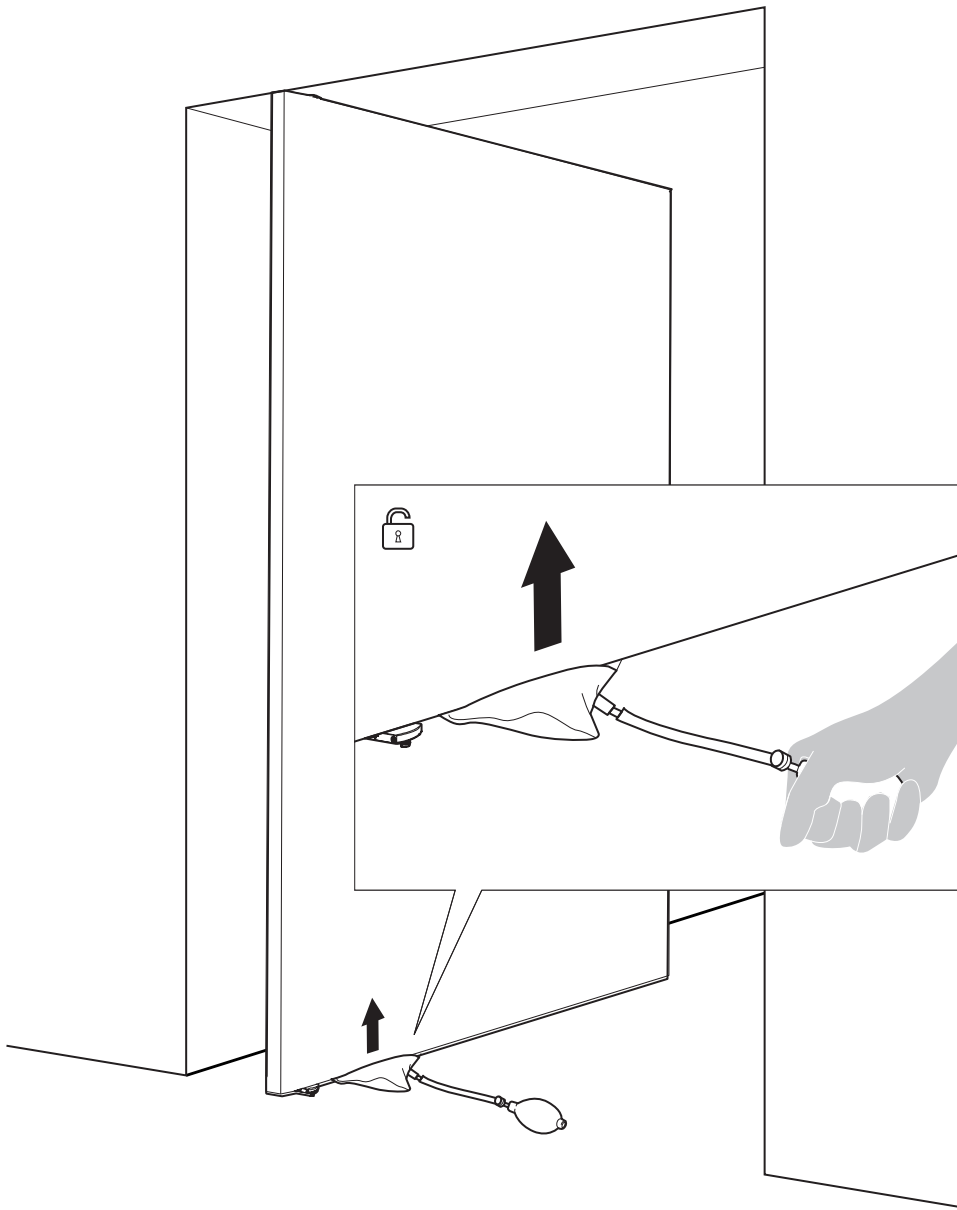


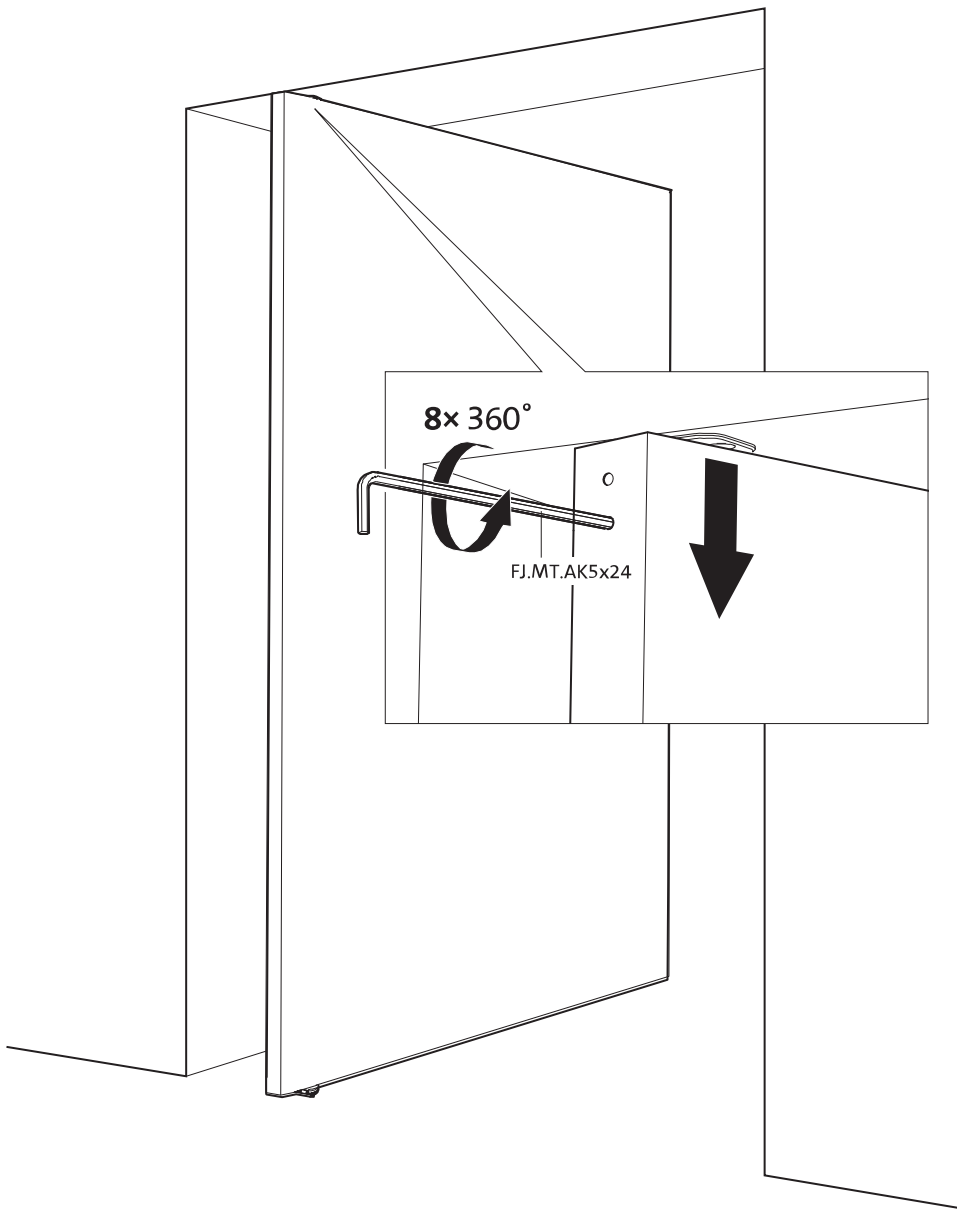


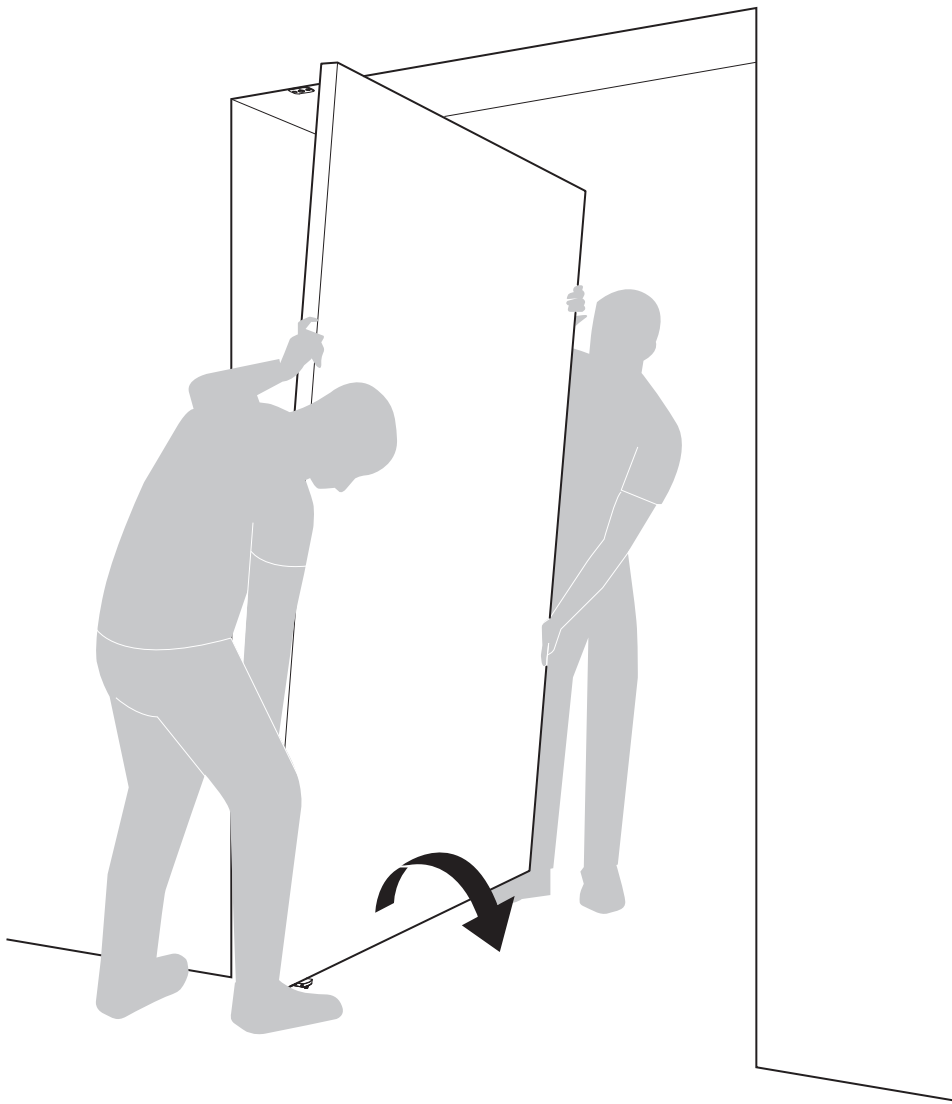




Disassembly instructions







FritsJurgens International

A. Einsteinlaan 1
The Netherlands
9615 TE Kolham
+31 598 343 410
info@fritsjurgens.com

FritsJurgens Dubai Branch

DLC-OP-A2-4-0029
Dubai South
Dubai
United Arab Emirates
+971 4 820 8106
+971 58 137 2611
dubai@fritsjurgens.com
fritsjurgens.com

Copyright © FritsJurgens®
BPM.70.AA.X.XX

