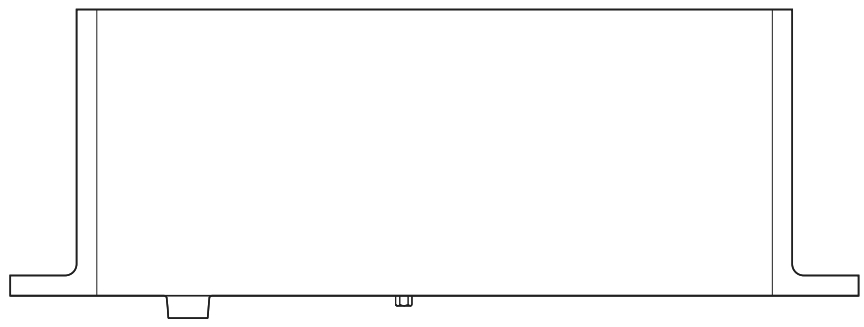


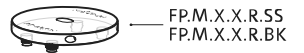
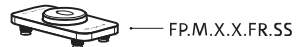
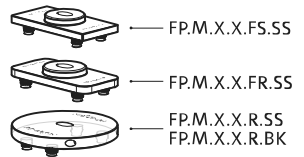
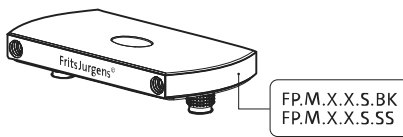
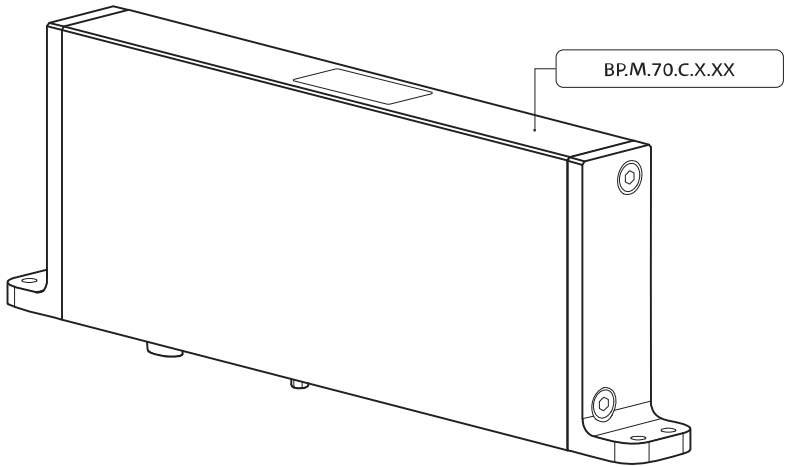
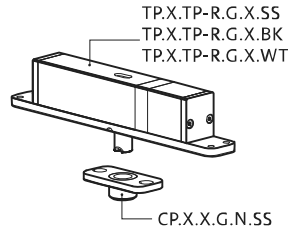
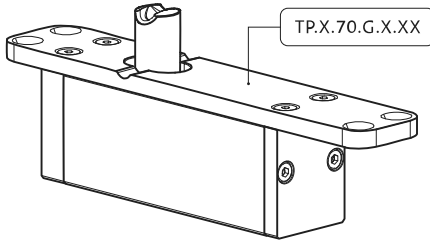
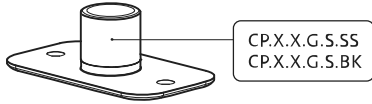
# System M

## Milling and mounting manual

FritsJurgens Set - 70 mm Class C - invisible



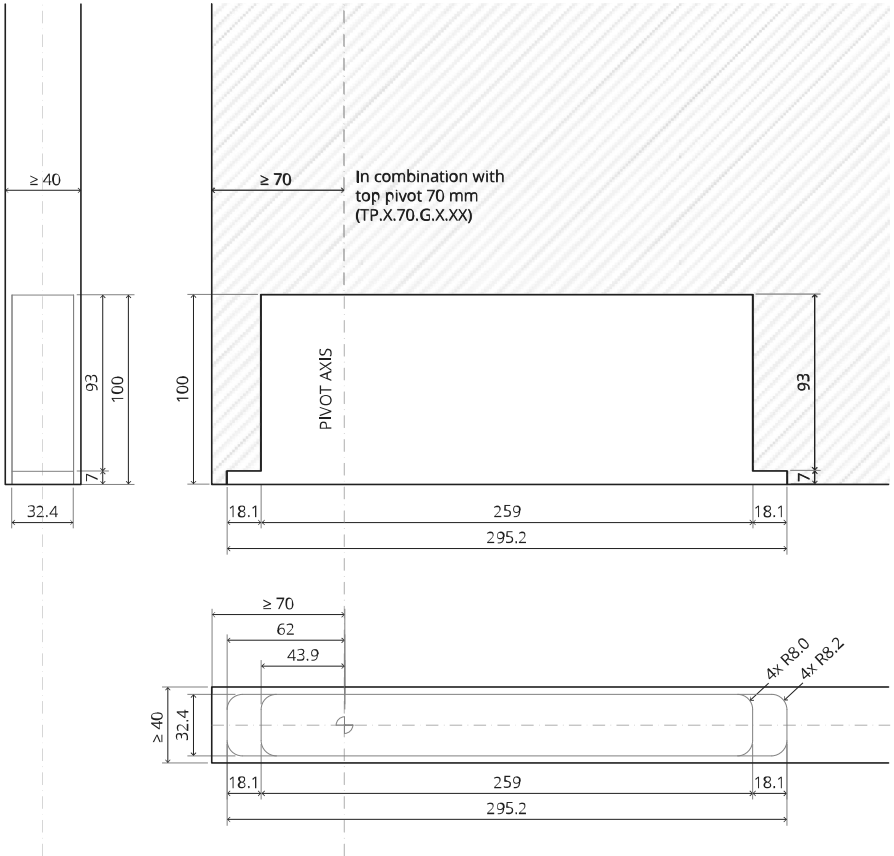


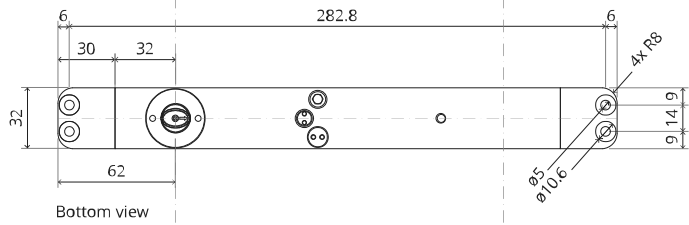
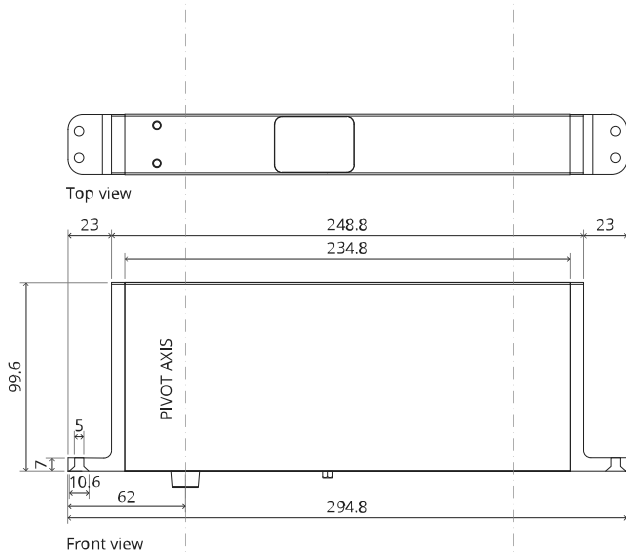
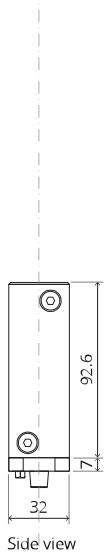




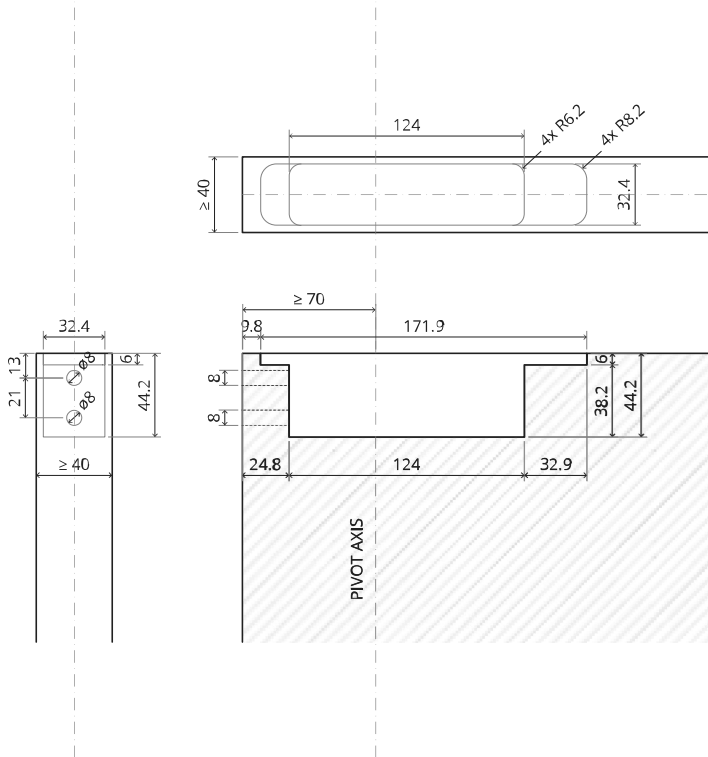
# Milling instructions

# BP.M.70.C.X.XX

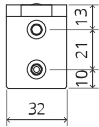




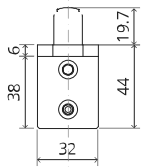
# TP.X.70.G.X.XX



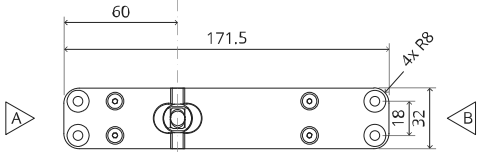




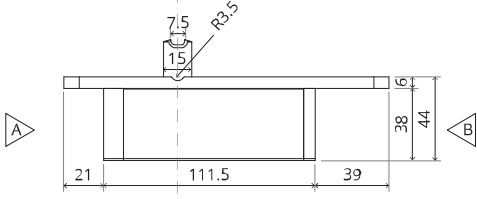
Side view A with pin turned in



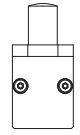
Side view A with pin turned out



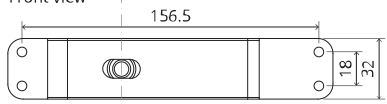
Top view



Front view

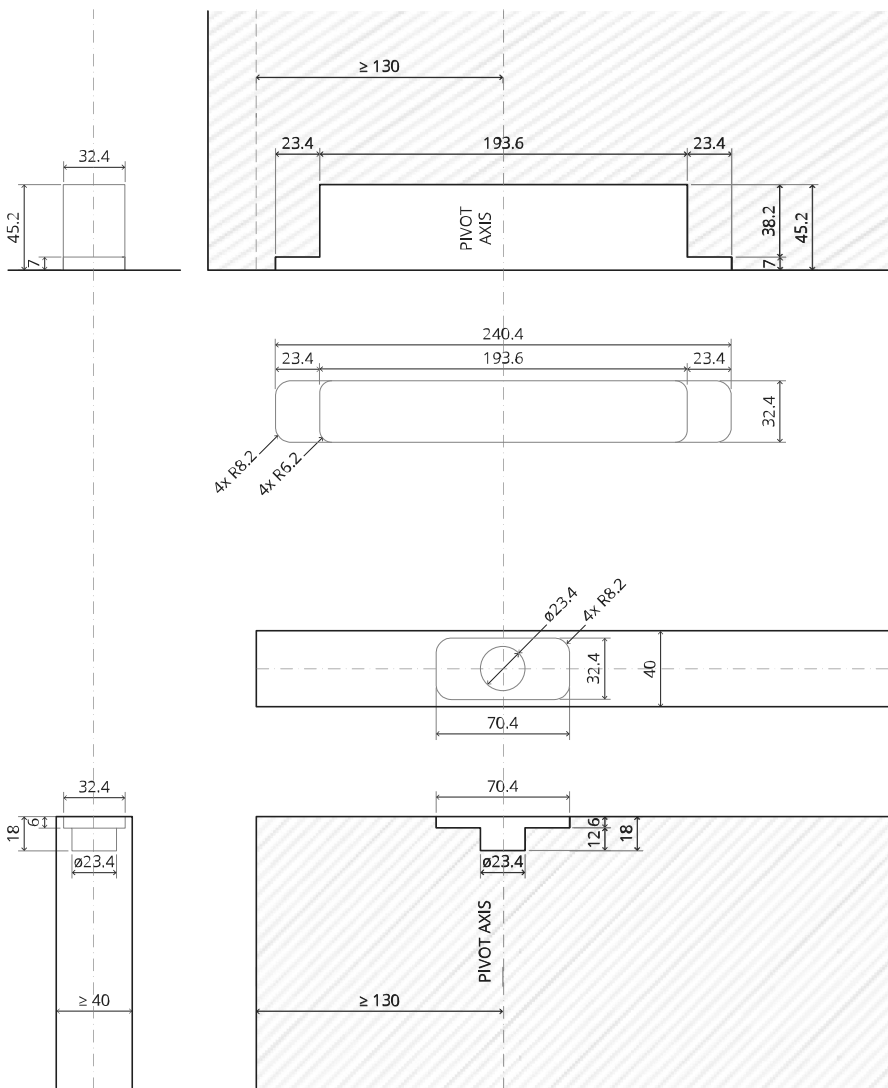


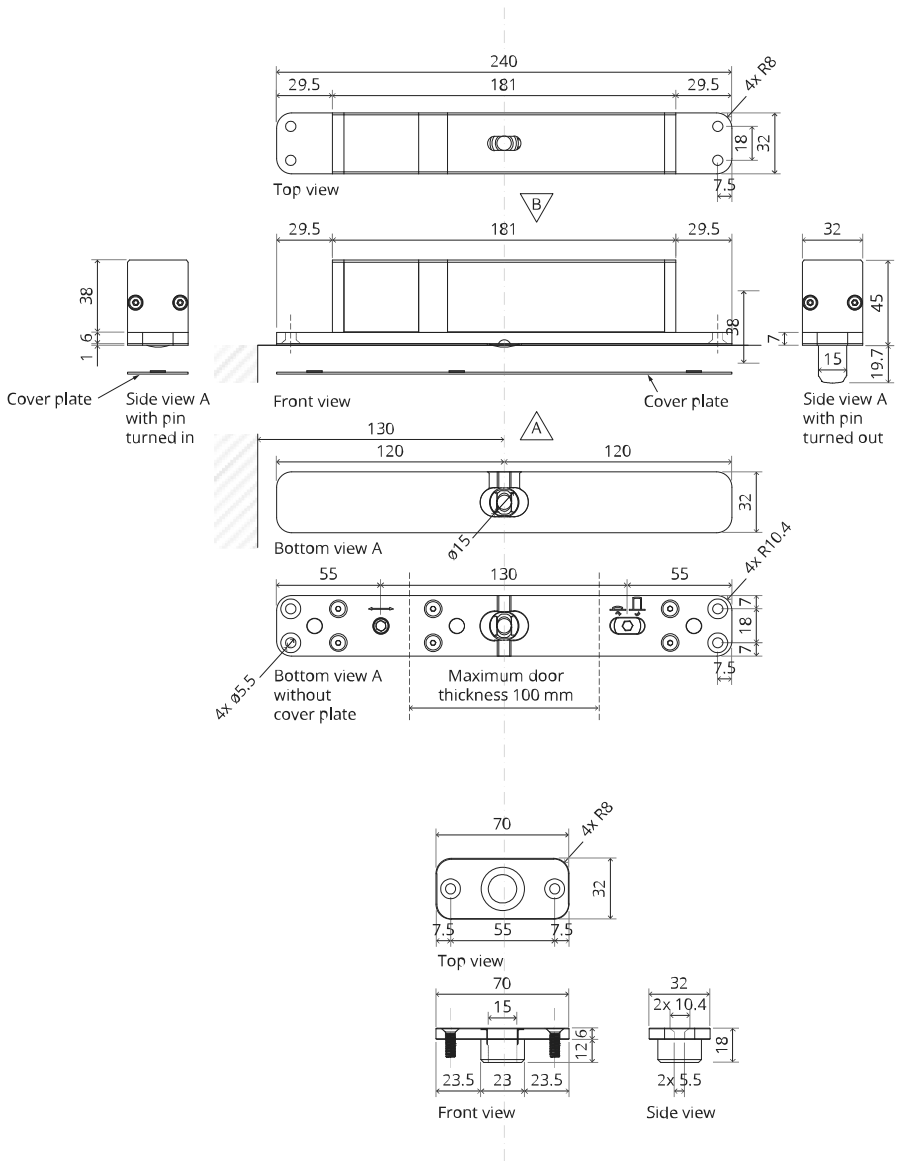
Side view B

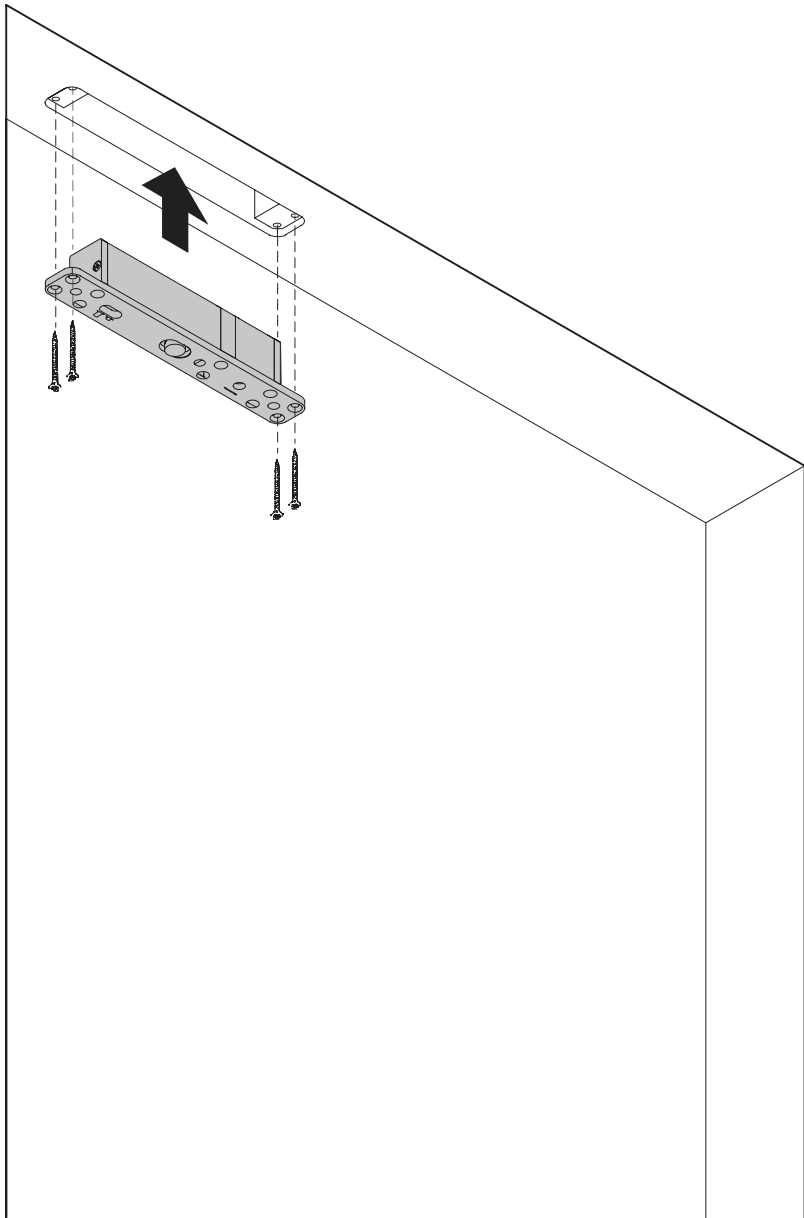


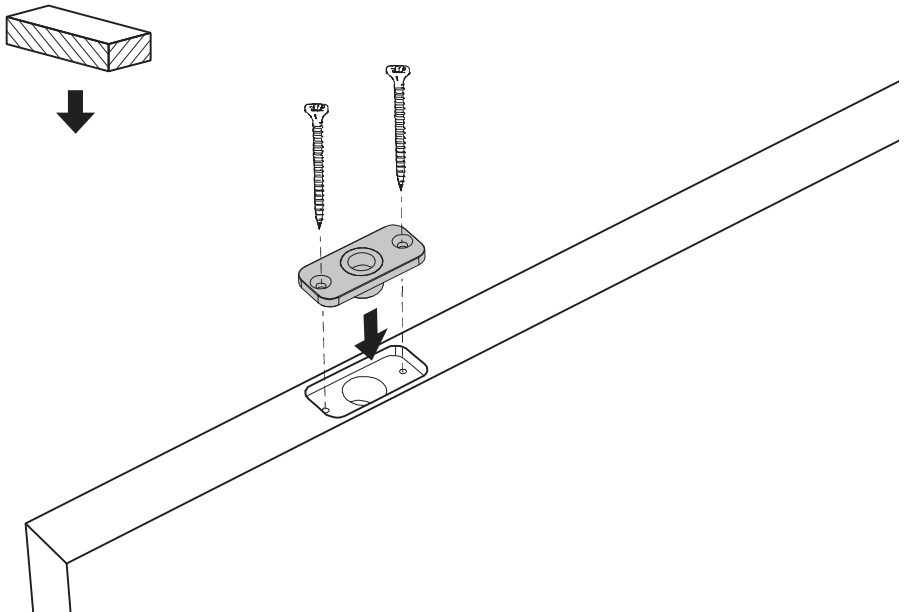
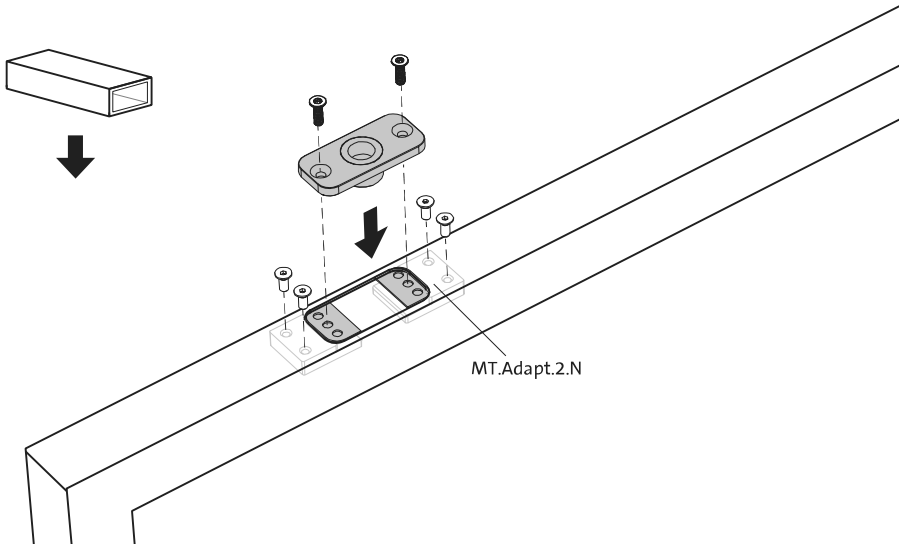
Bottom view

# TP.X.TP-R.G.X.

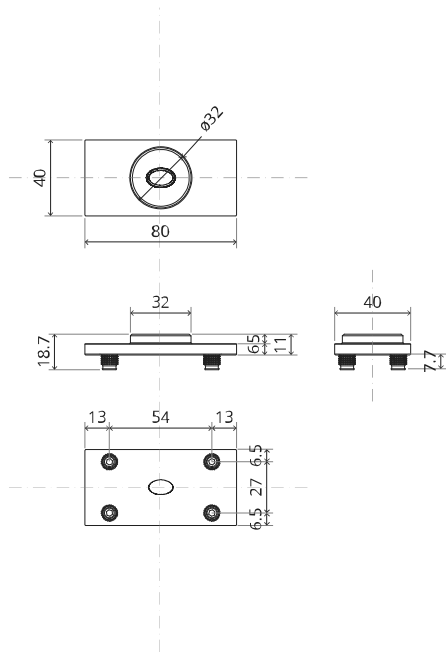
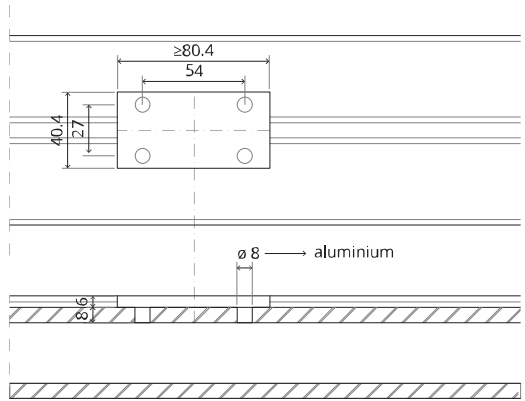






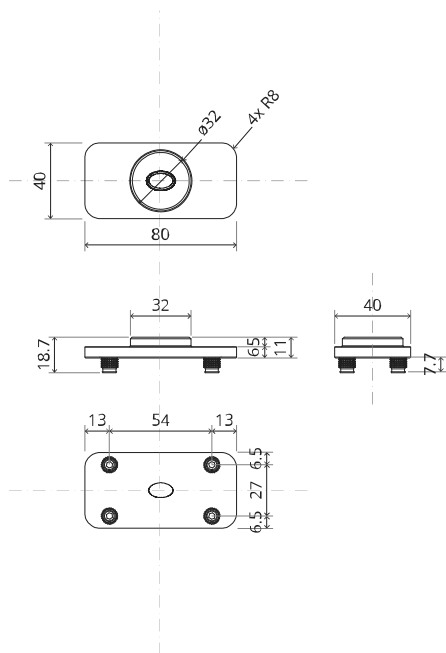
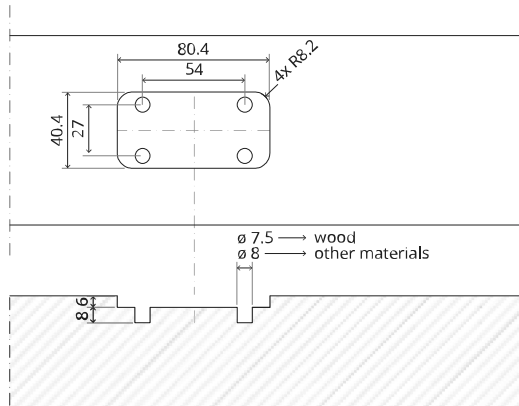


# FP.M.X.X.FS.SS





# FP.M.X.X.FR.SS

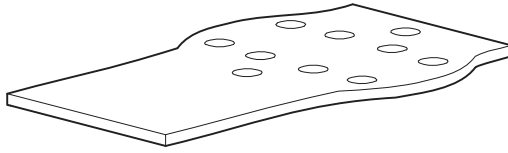




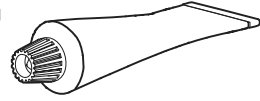




# Mounting instructions



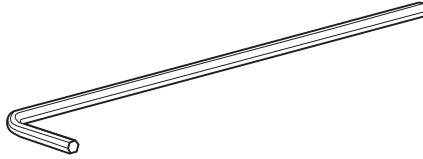
FJ.MT.DT.M



FJ.MT.ZS



FJ.MT.AK3



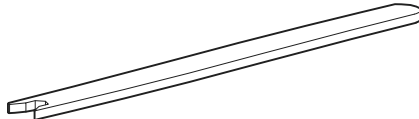
FJ.MT.AK5x24



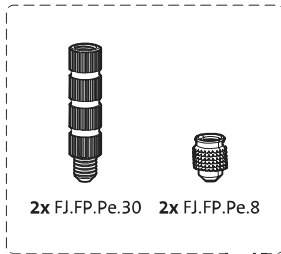
10x FJ.Tx.4.0X50.PKDD



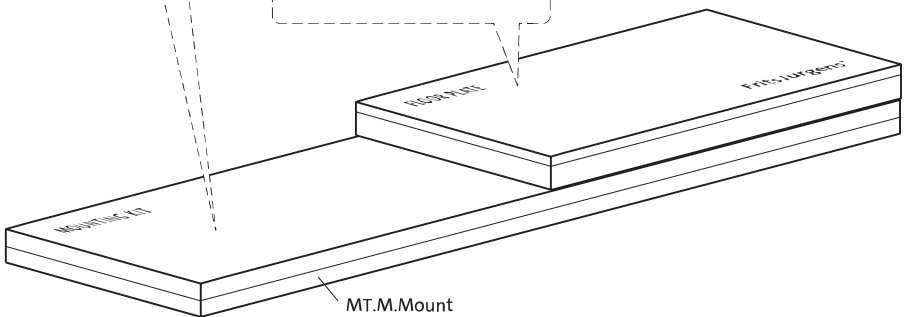
FJ.Bit.Tx20



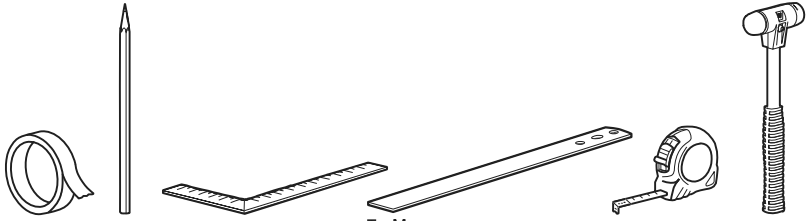
FJ.MT.AS.M



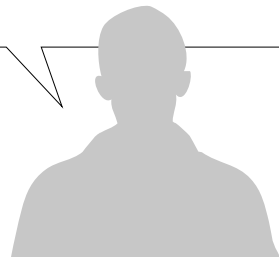
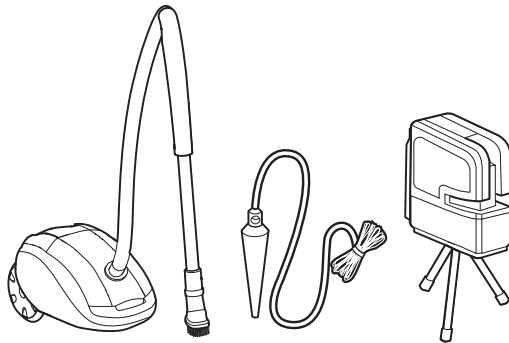
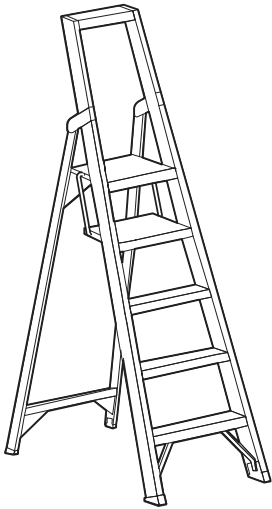
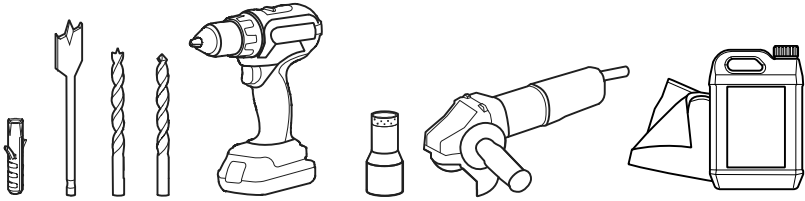
2x FJ.FP.Pe.30 2x FJ.FP.Pe.8

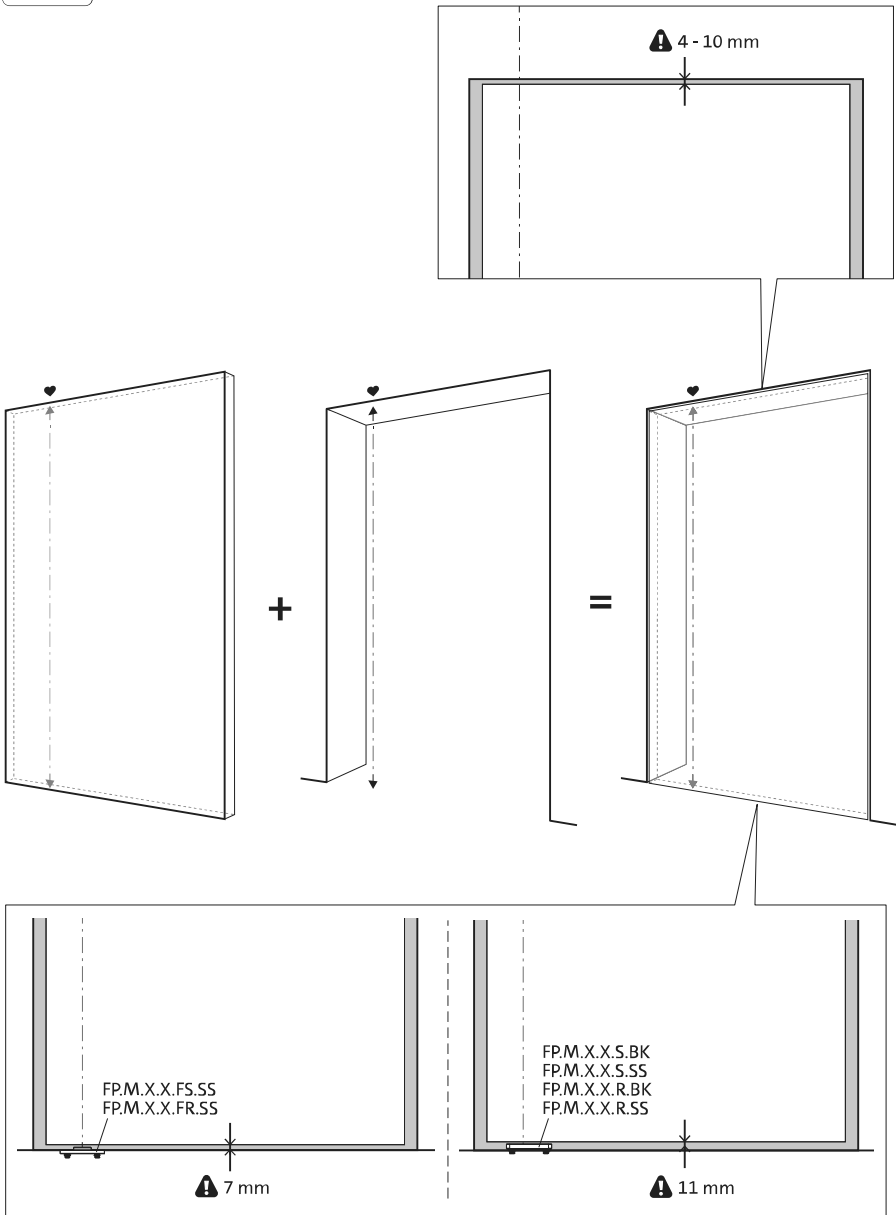


MT.M.Mount

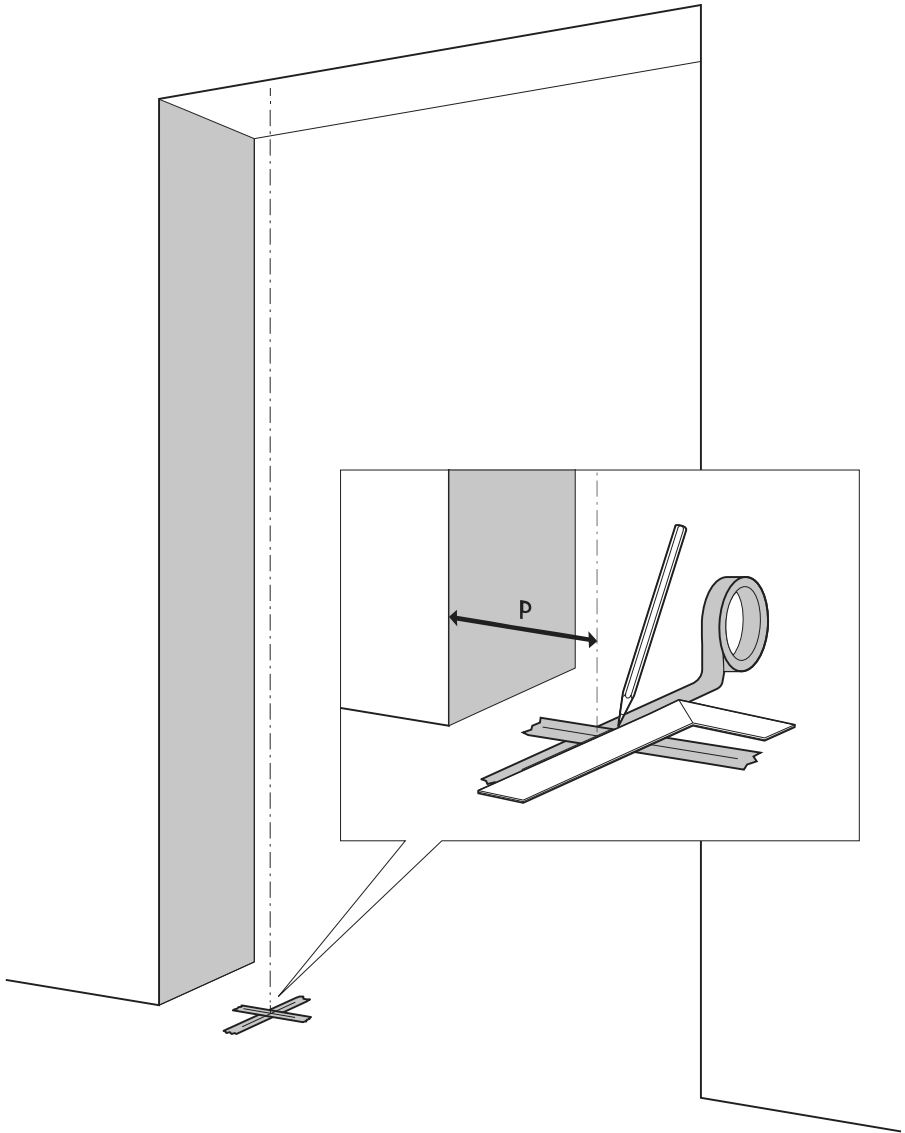


To.M

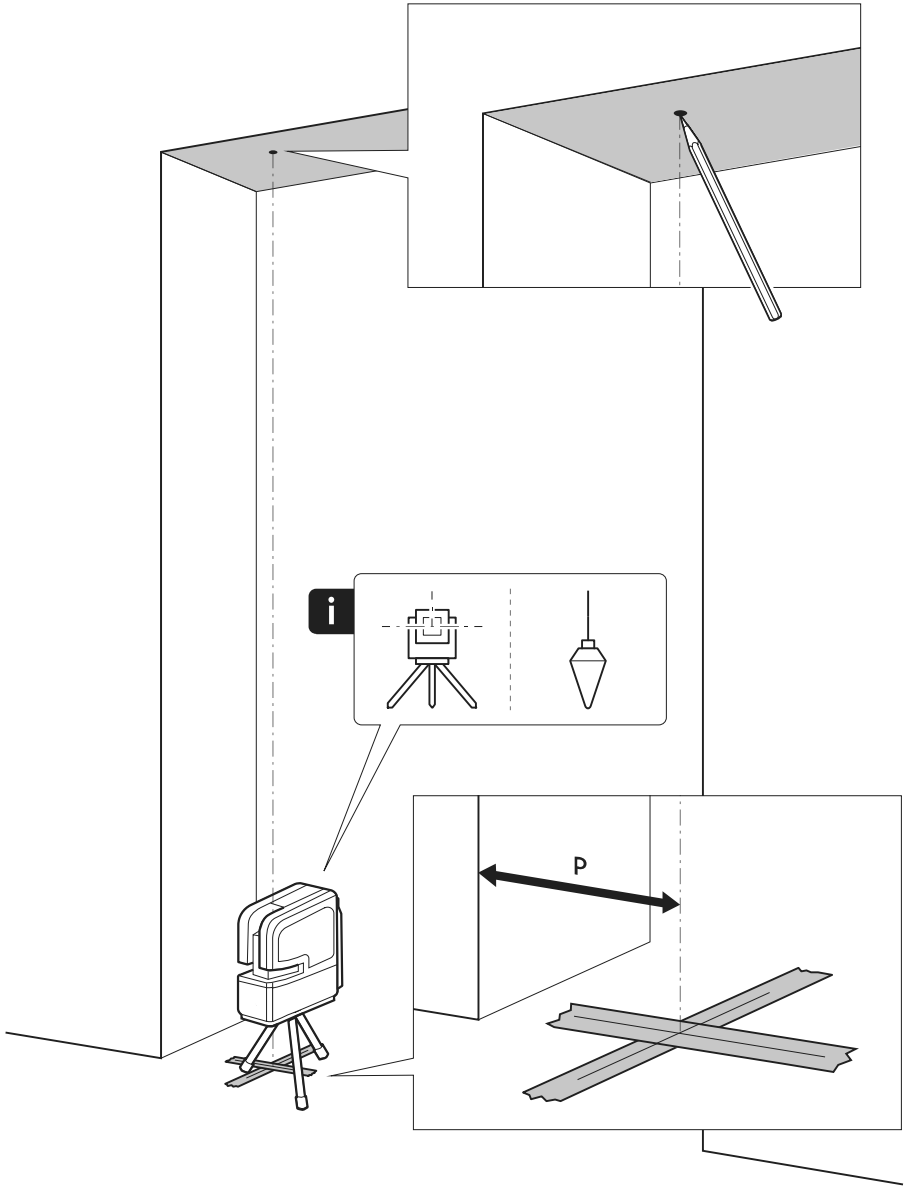
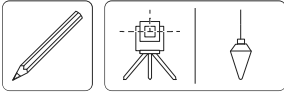


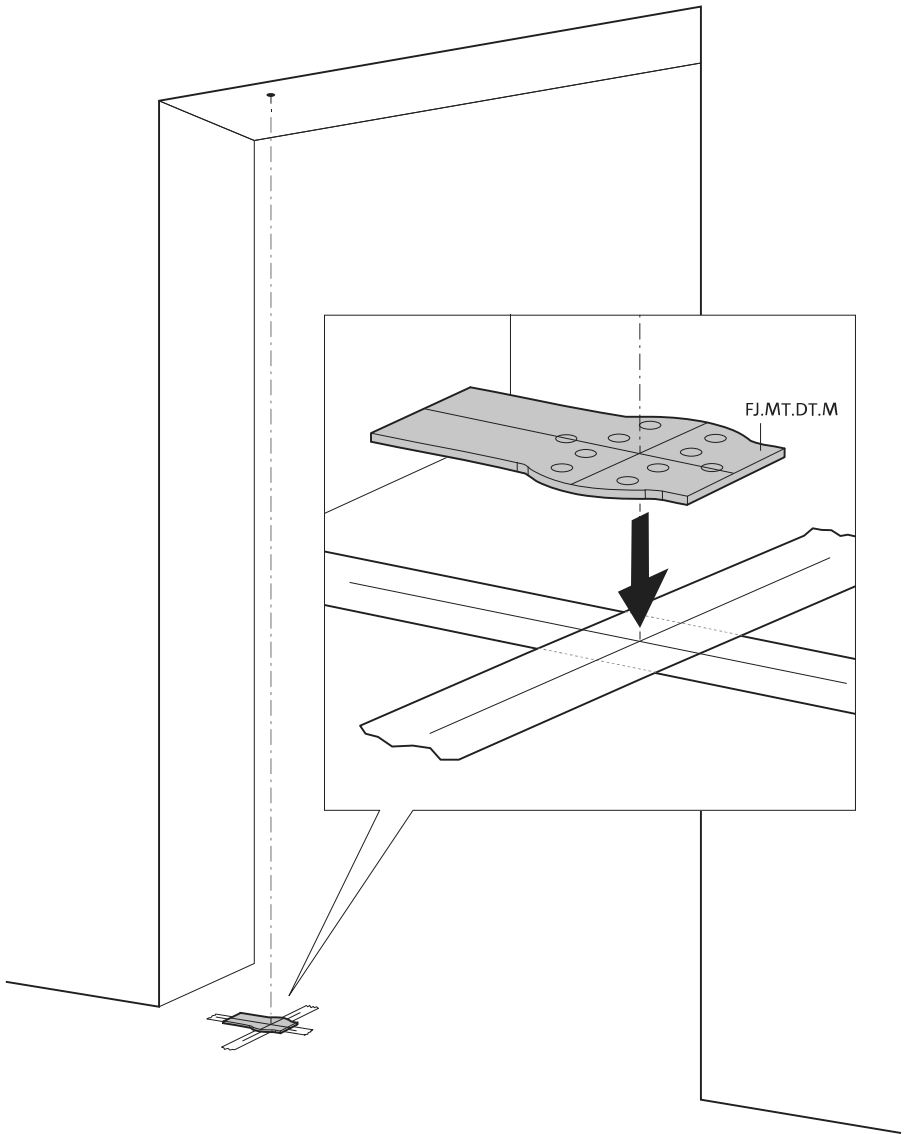


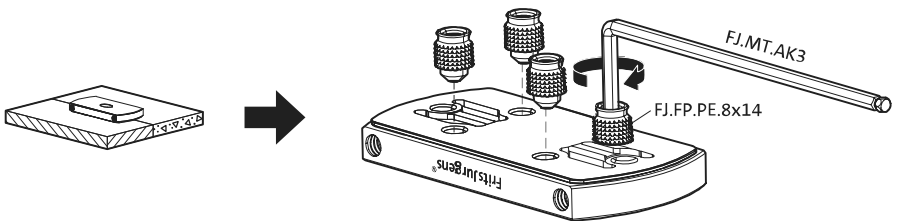
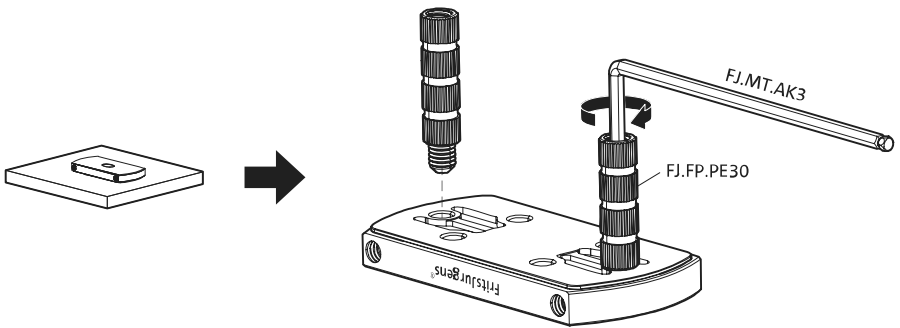
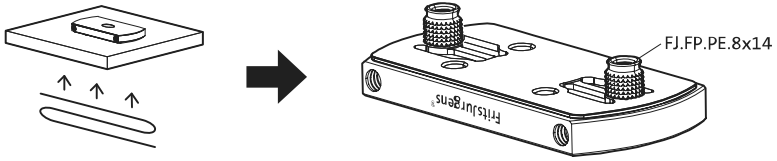


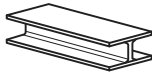




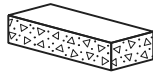




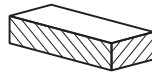




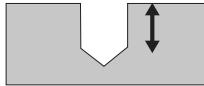
ø8 mm (5/16")



ø8 mm (5/16")



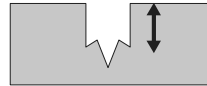
ø7.5 mm (19/64")



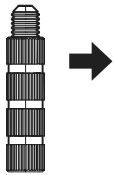
8 mm (5/16")



8 mm (5/16")



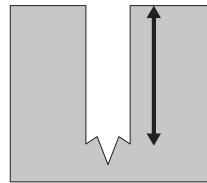
8 mm (5/16")



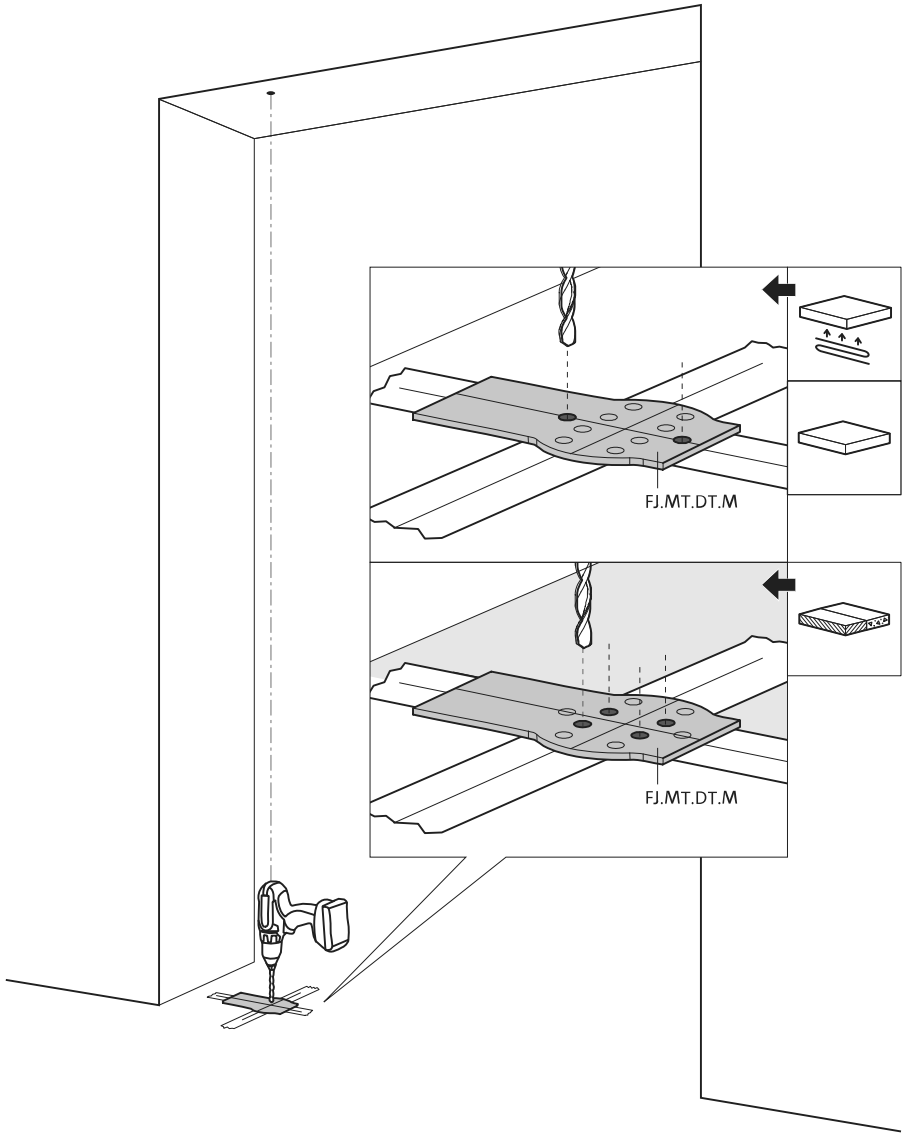
30 mm (13/16")



30 mm (13/16")



30 mm (13/16")



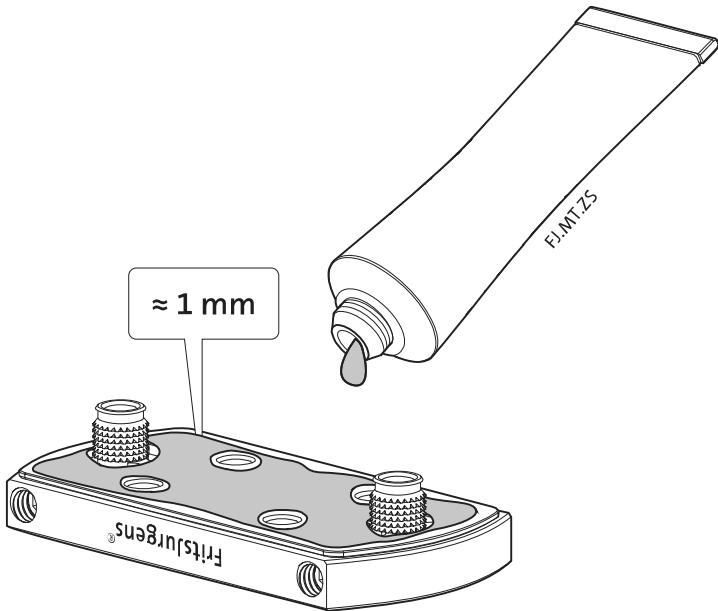


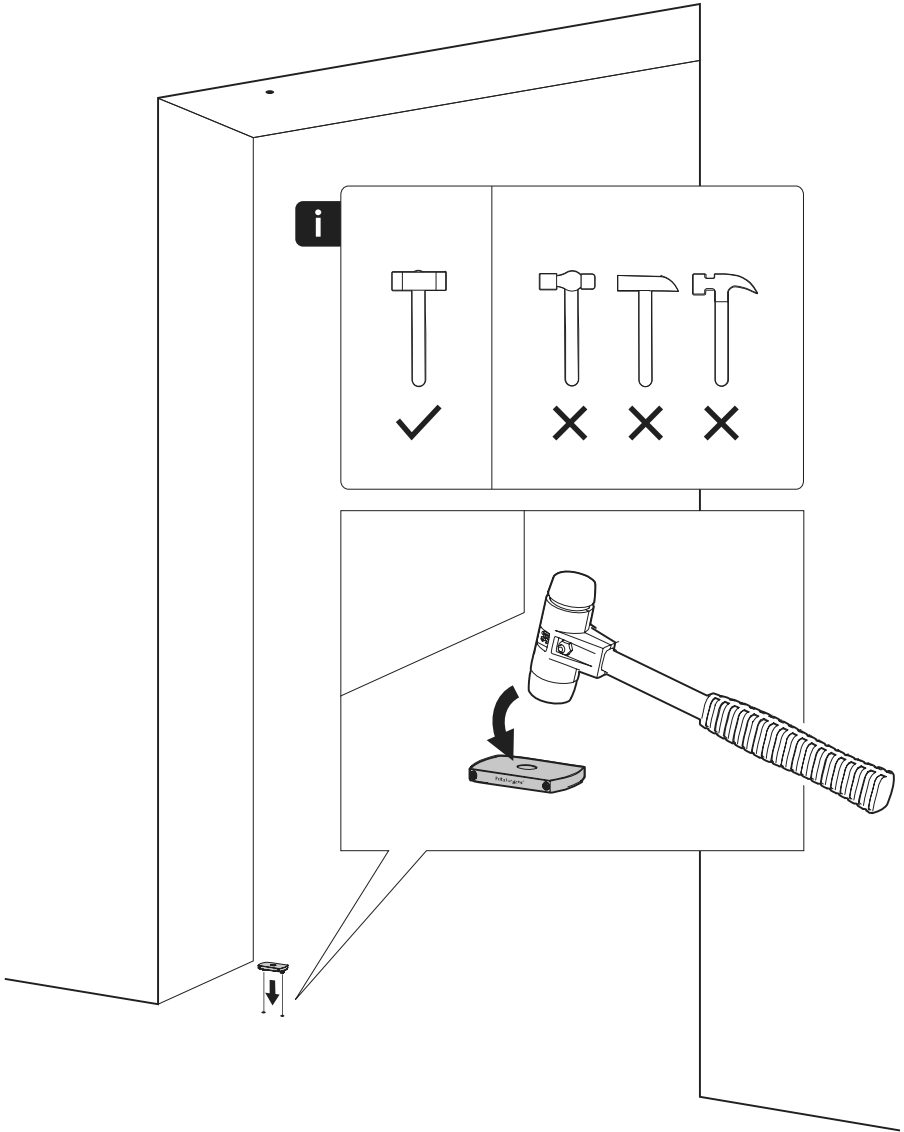


1

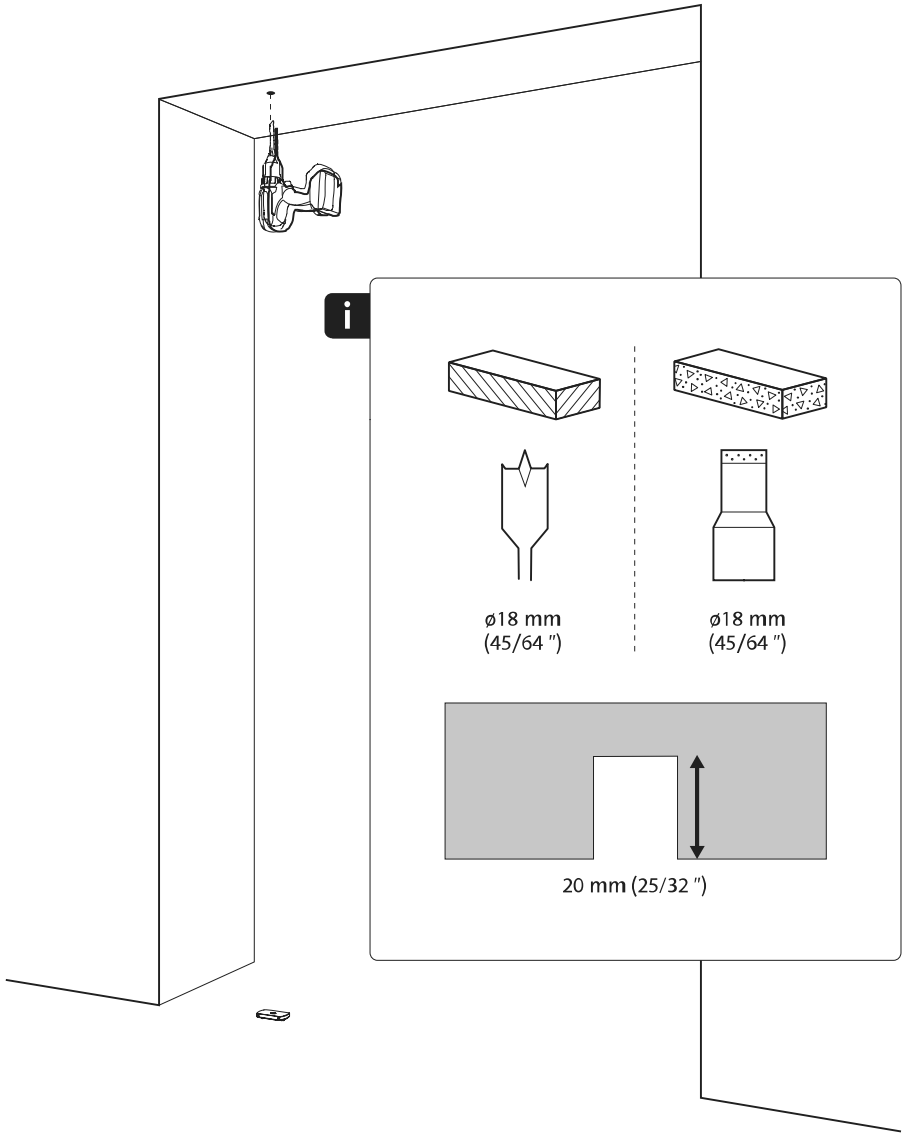


2



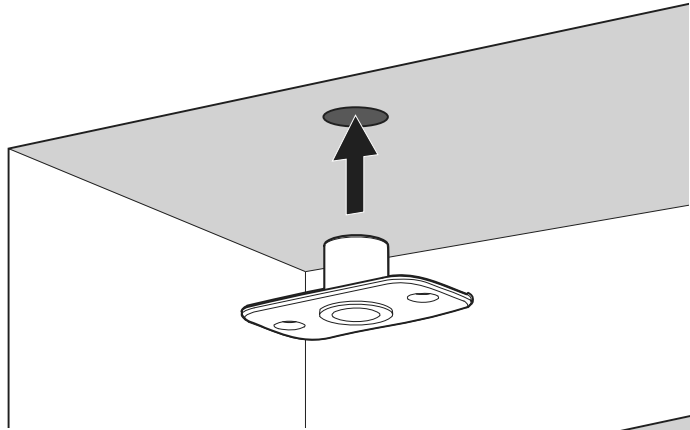




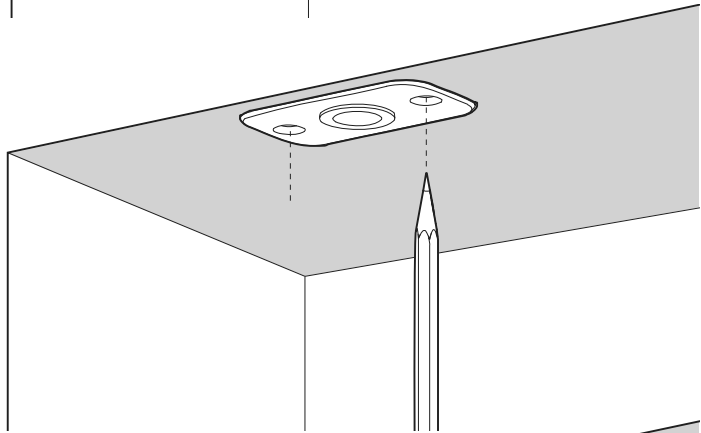




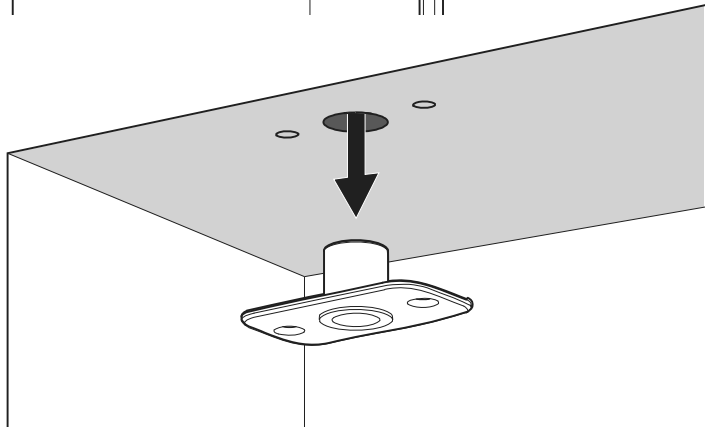
1



2

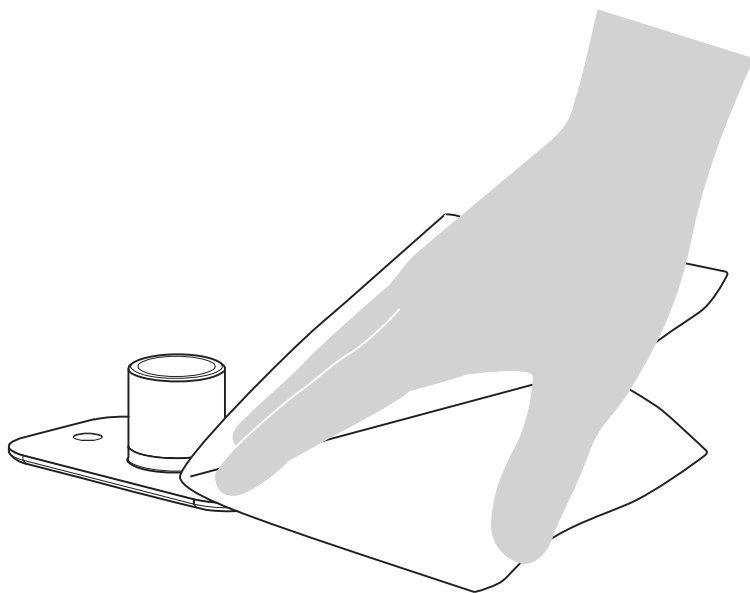


3

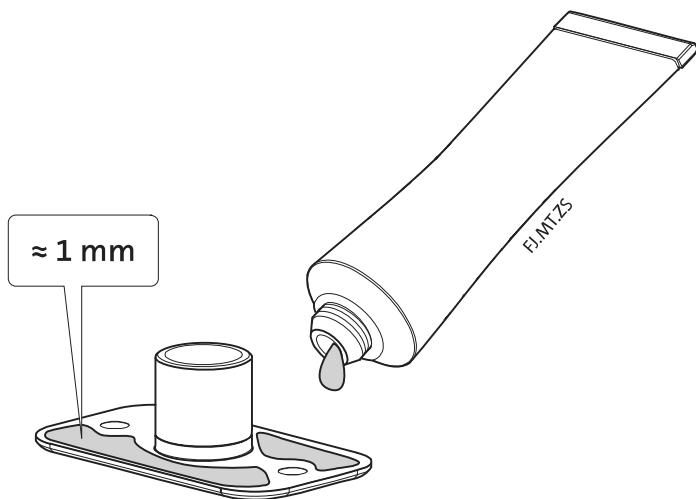


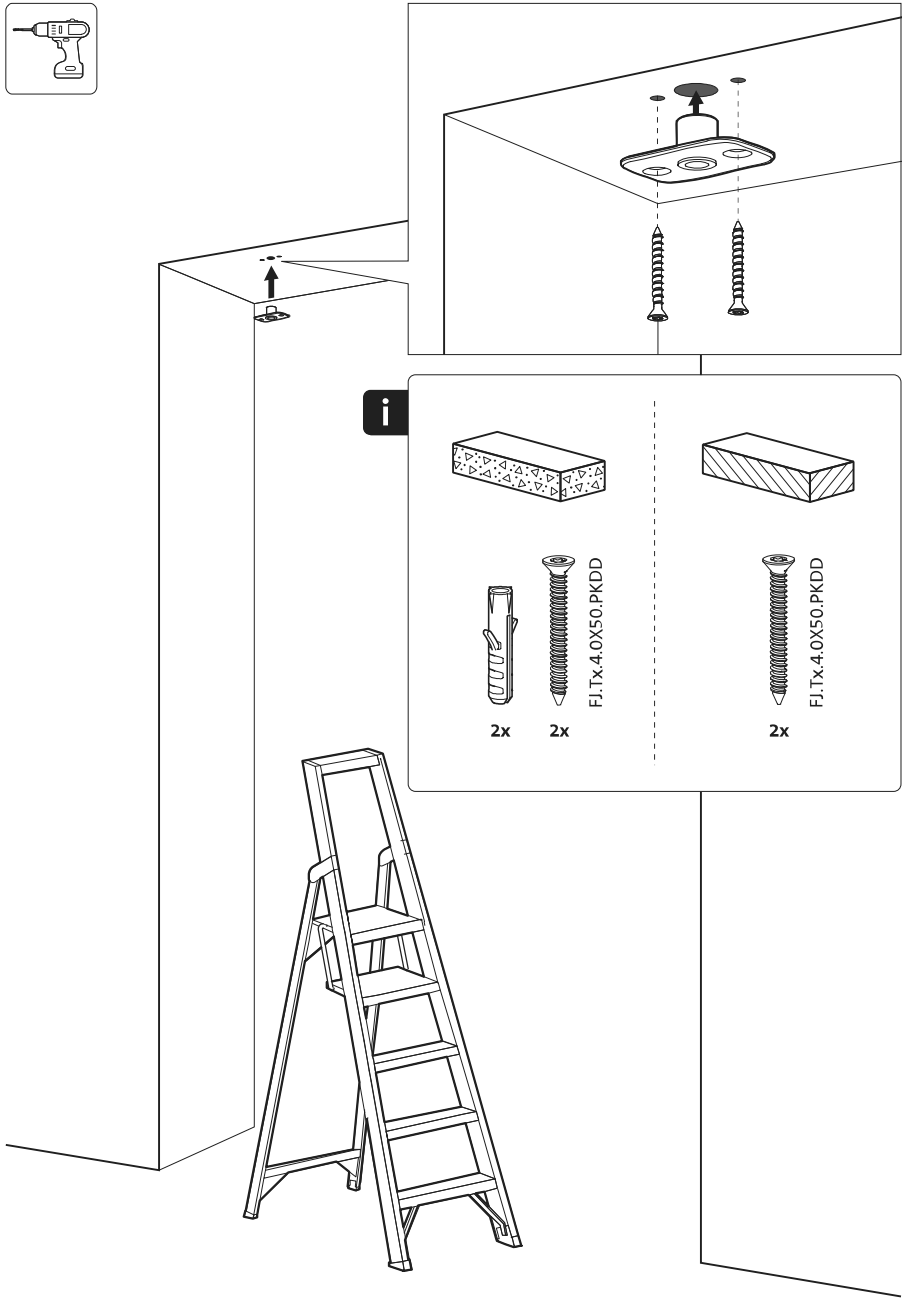


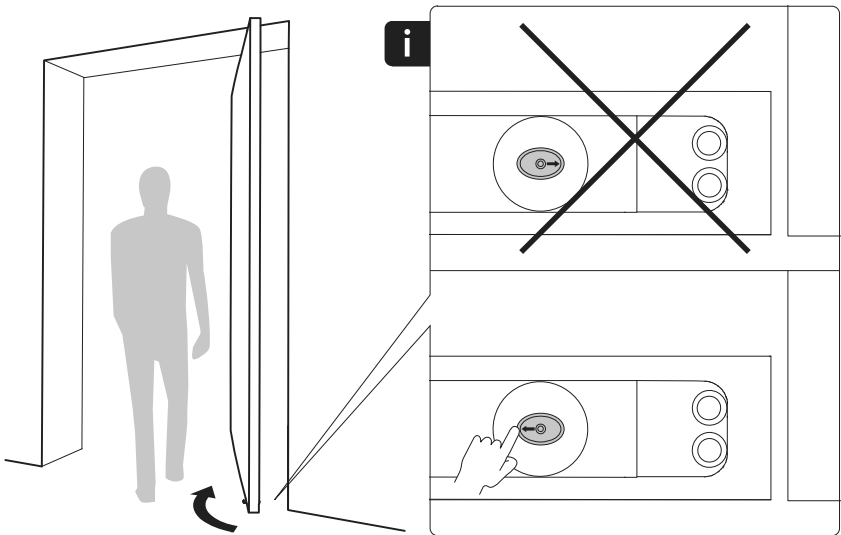
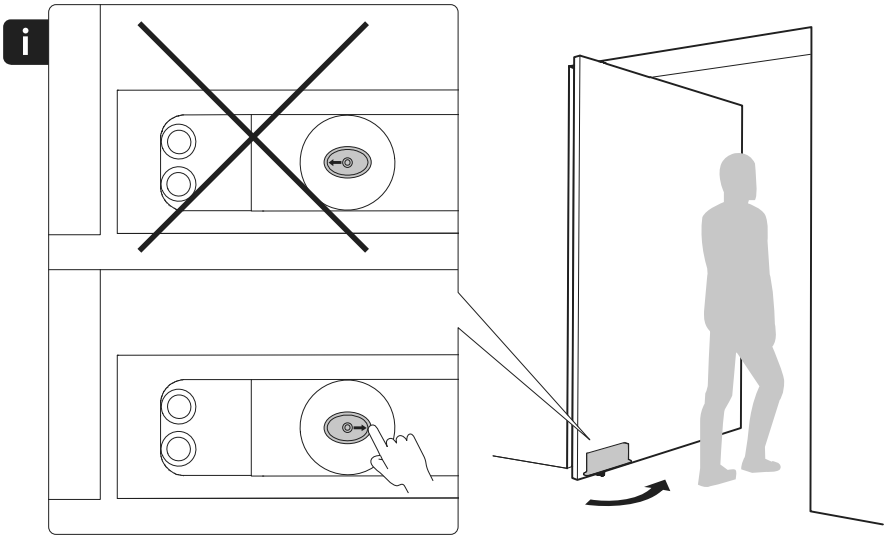
1

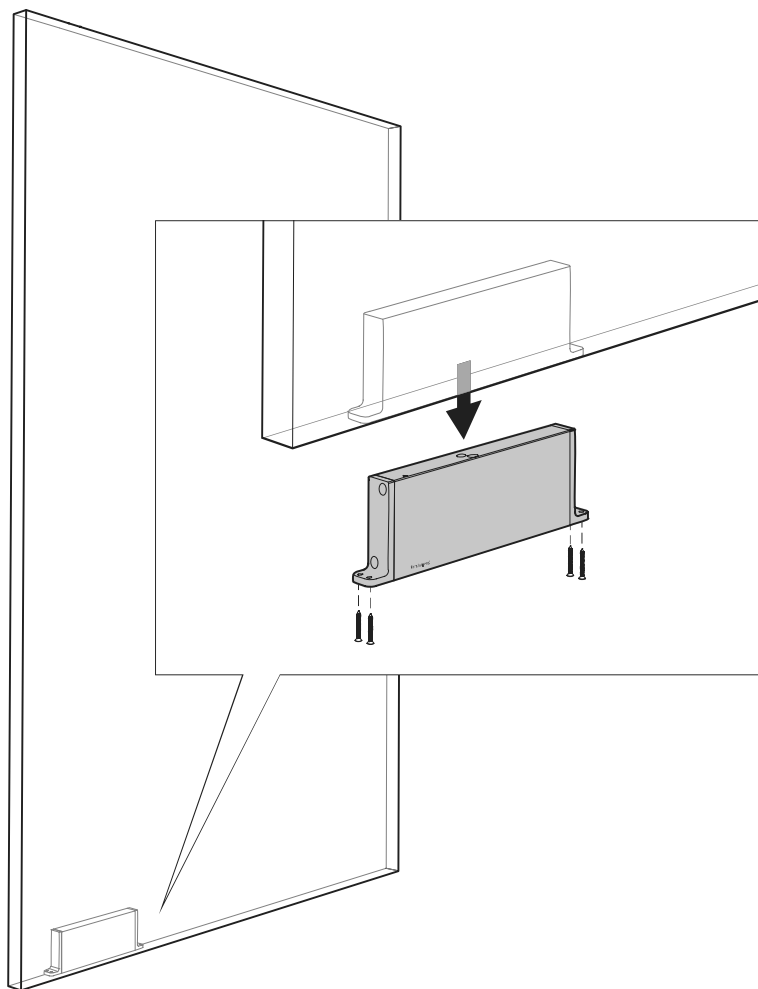


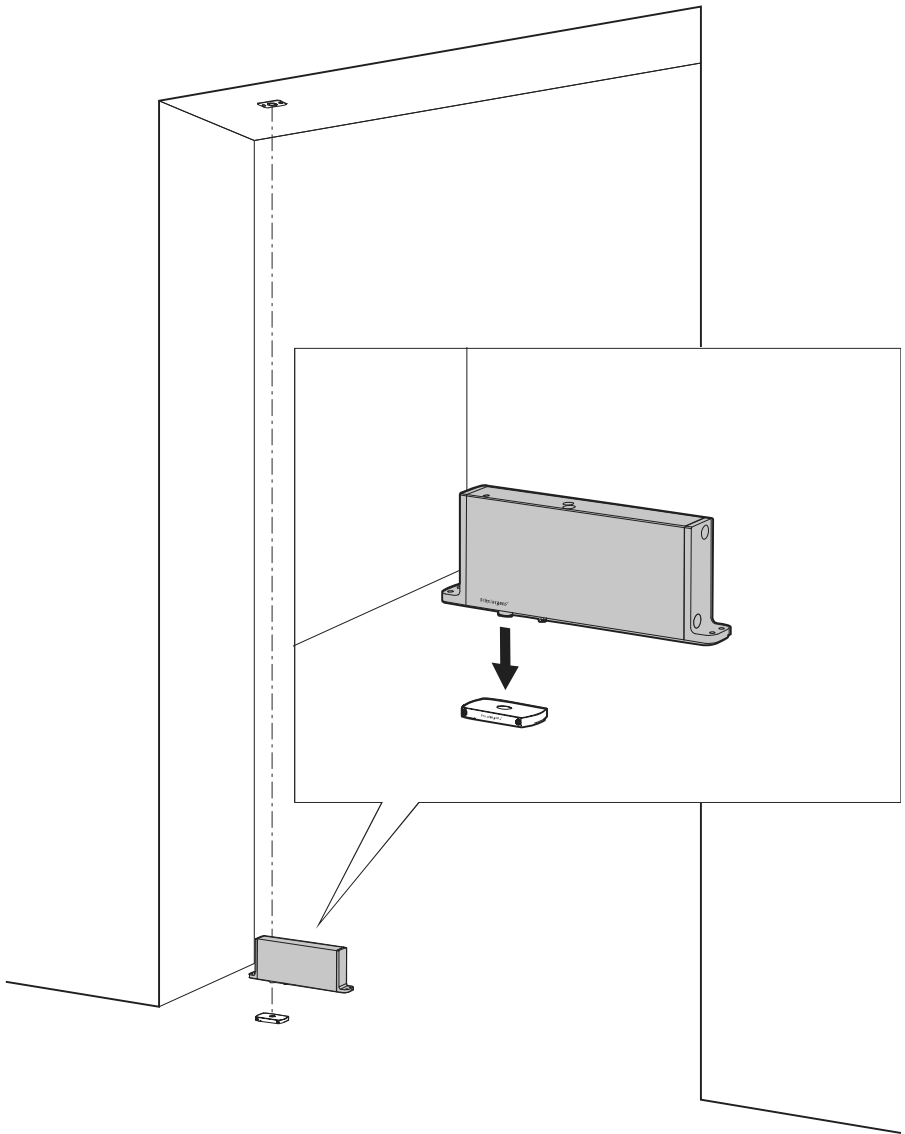
2

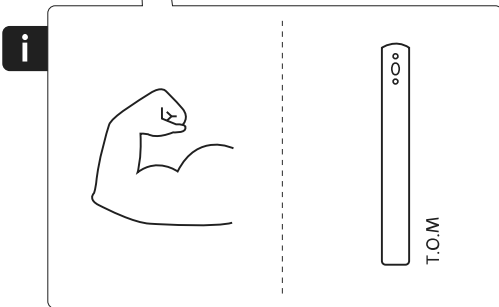
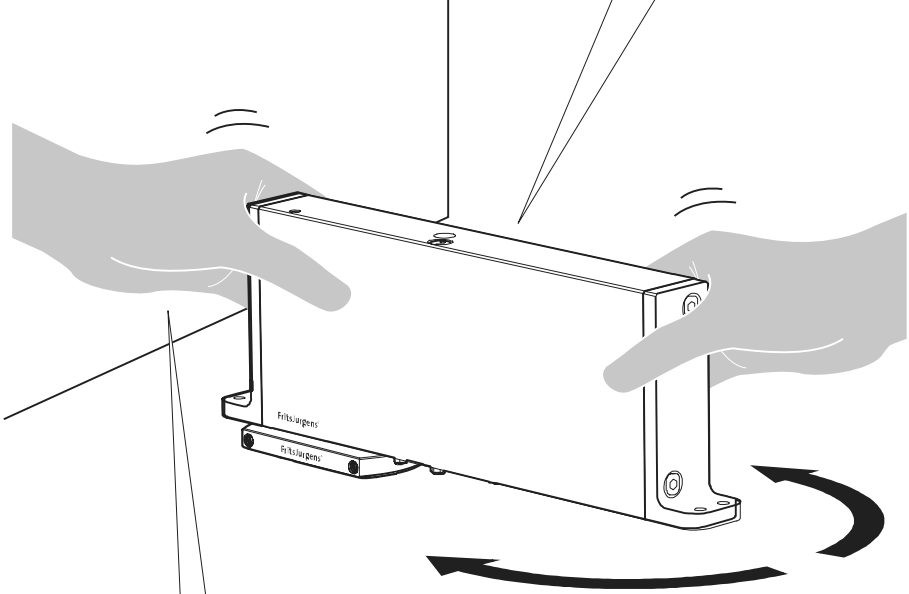
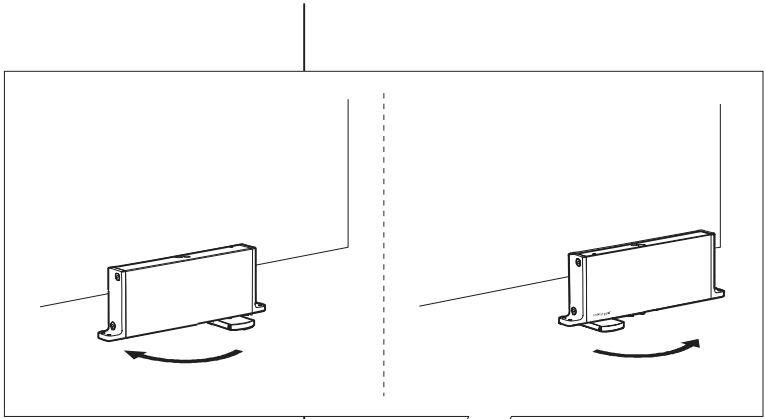




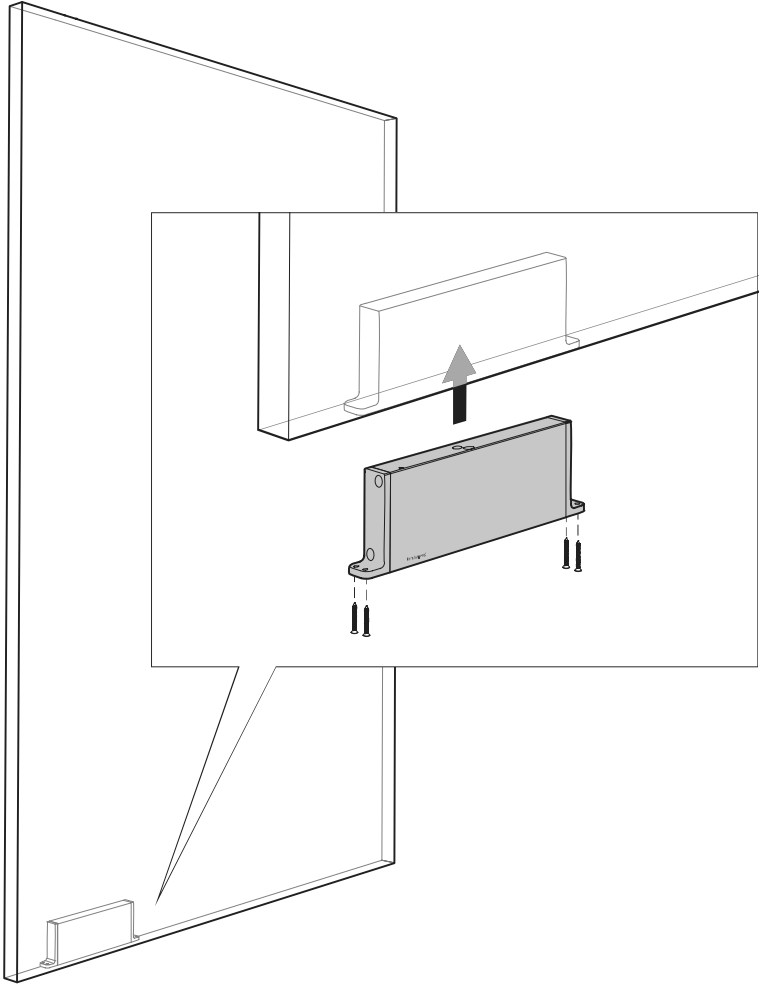


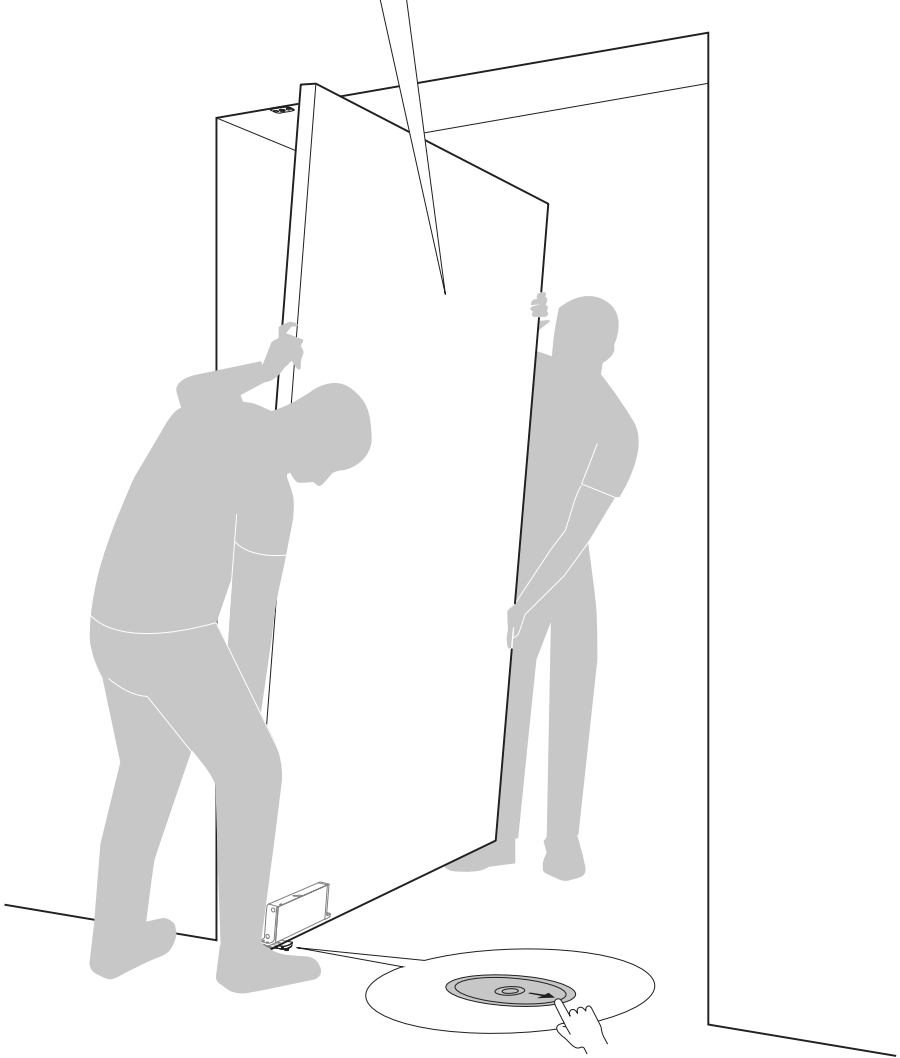
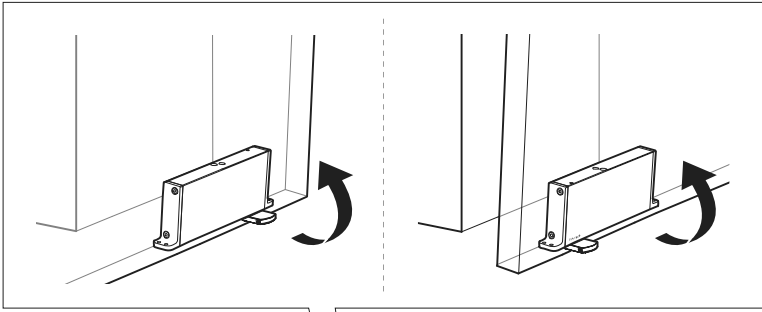


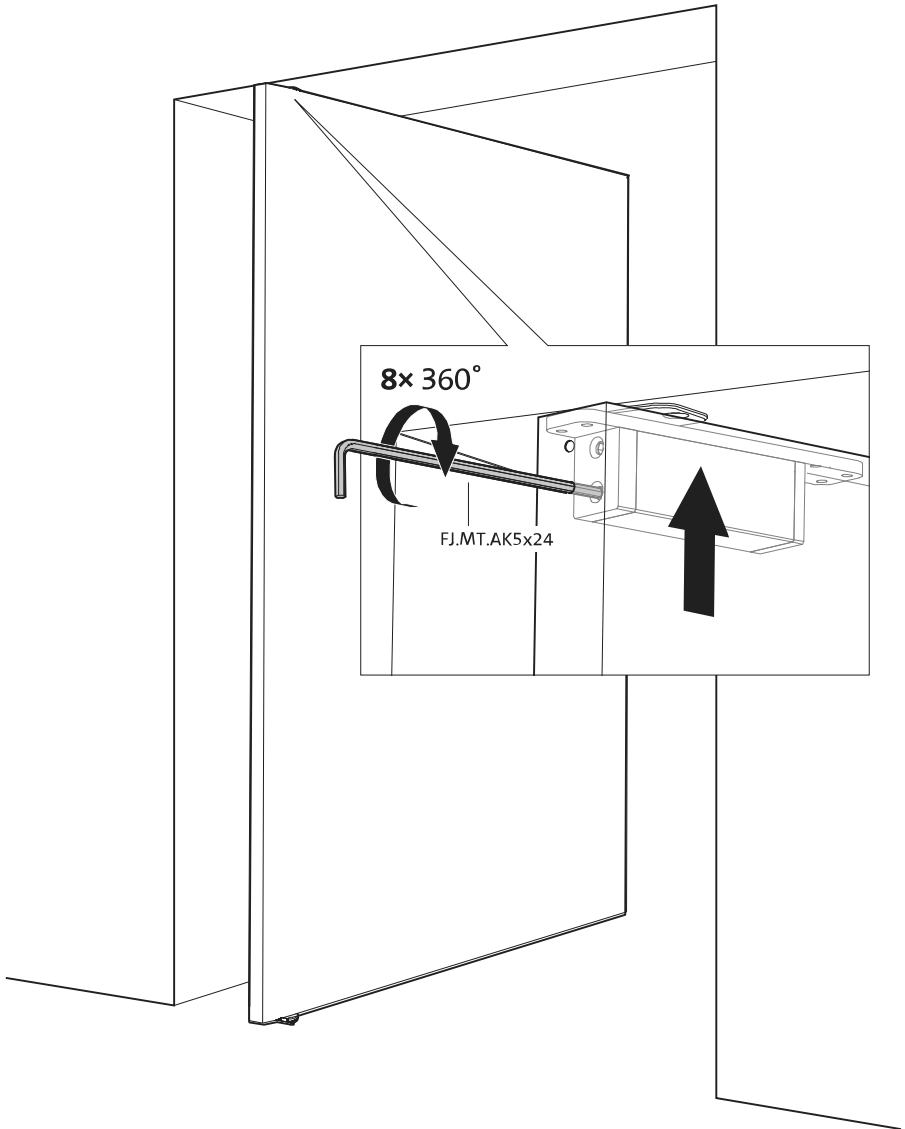
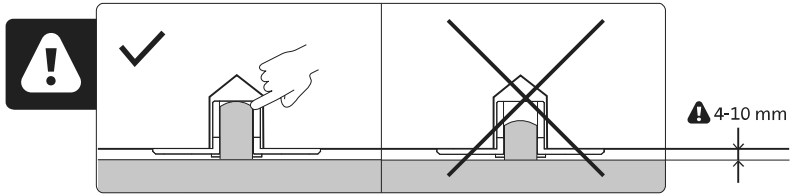


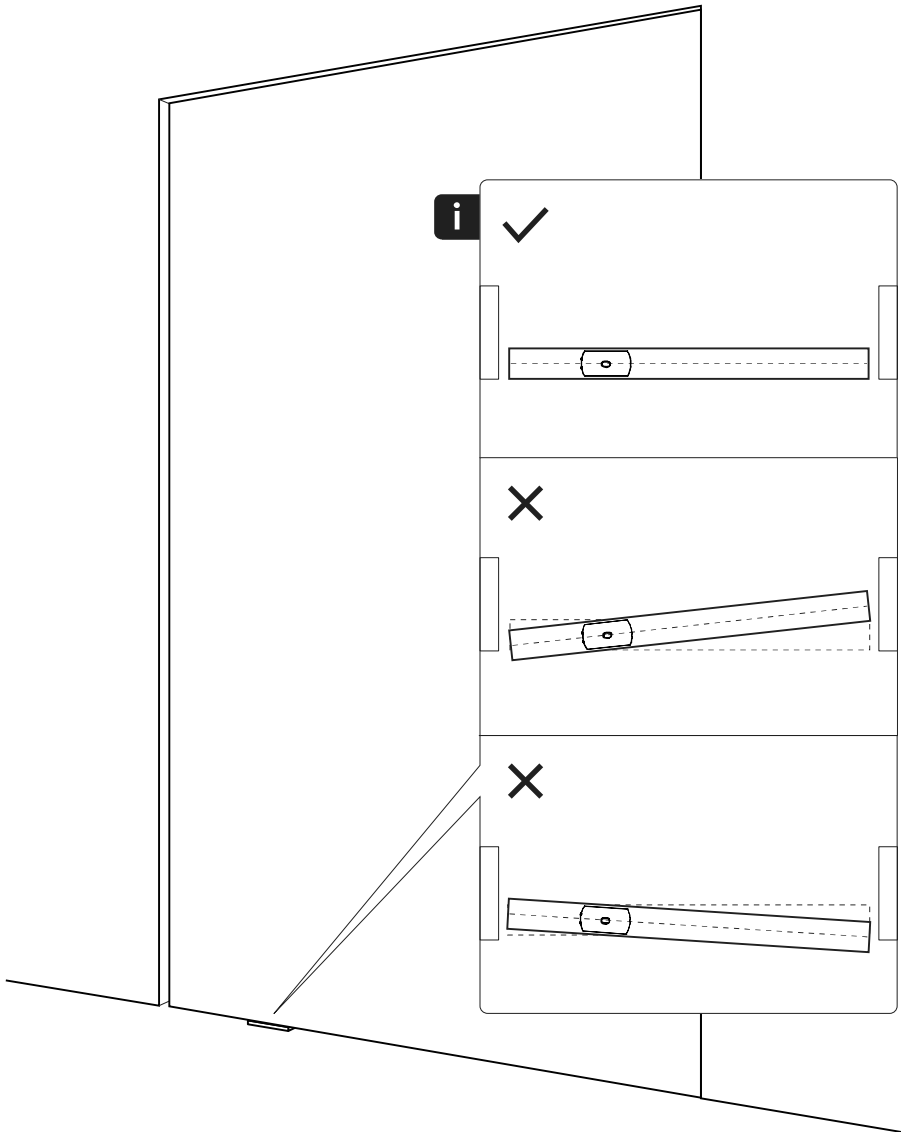


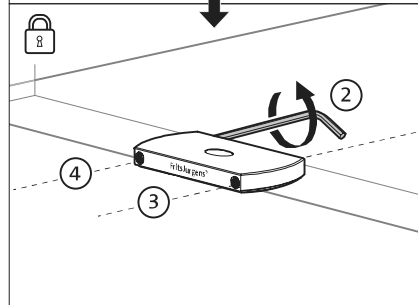
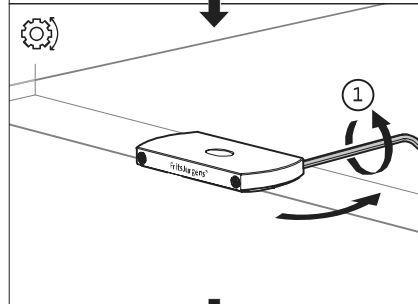
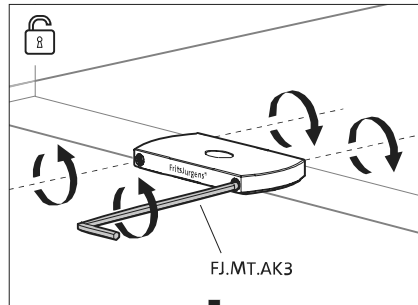
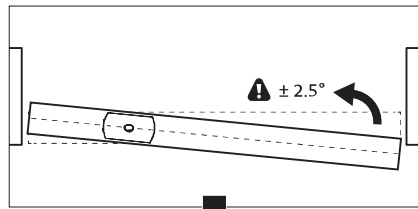
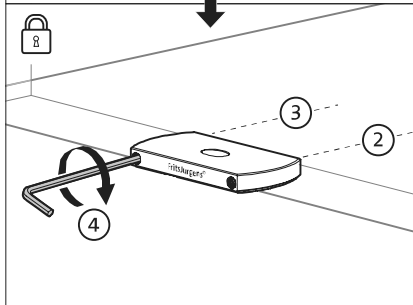
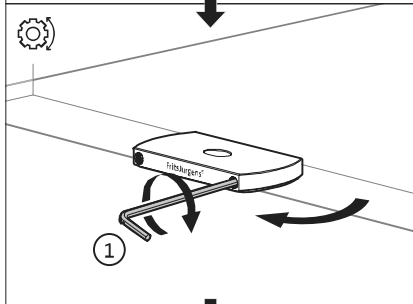
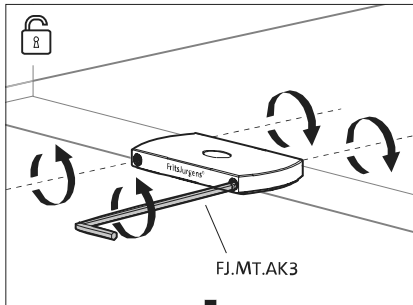
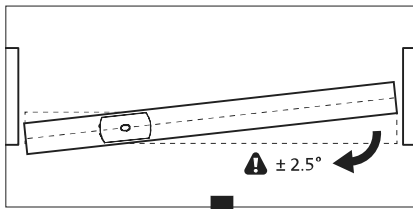


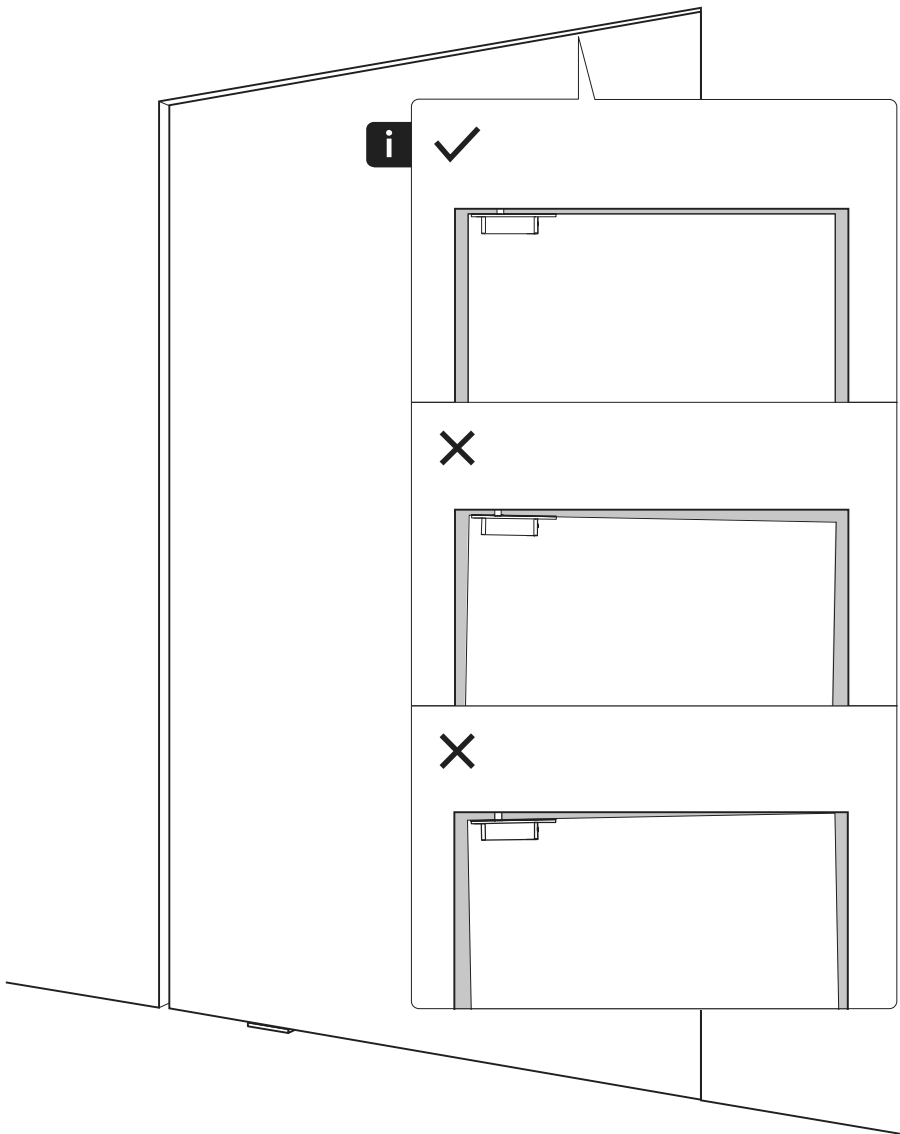


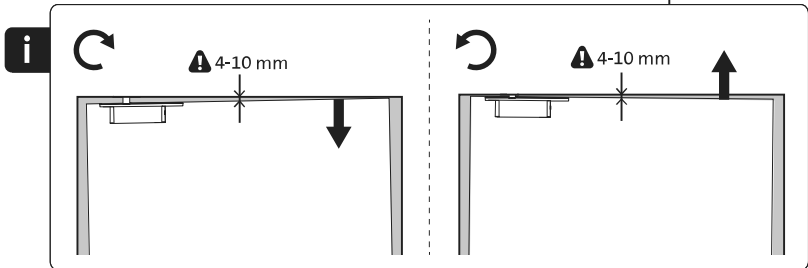
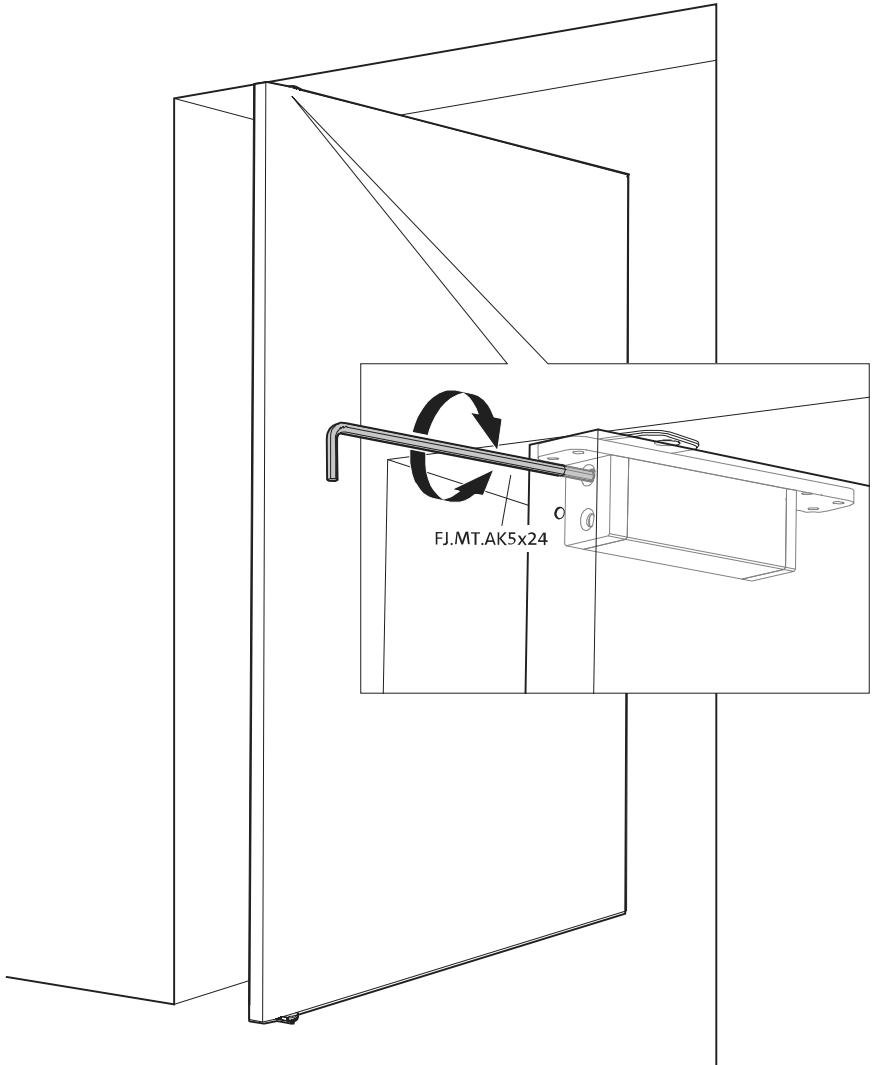


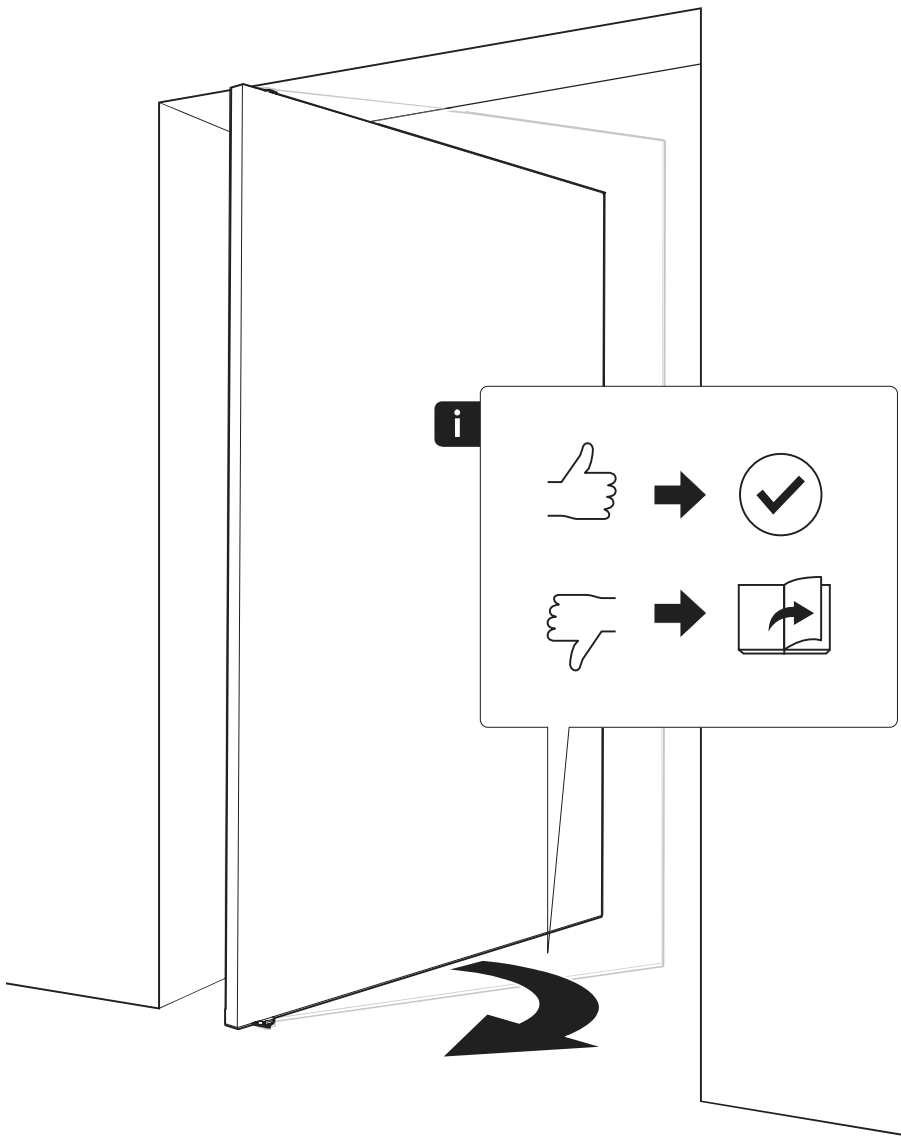




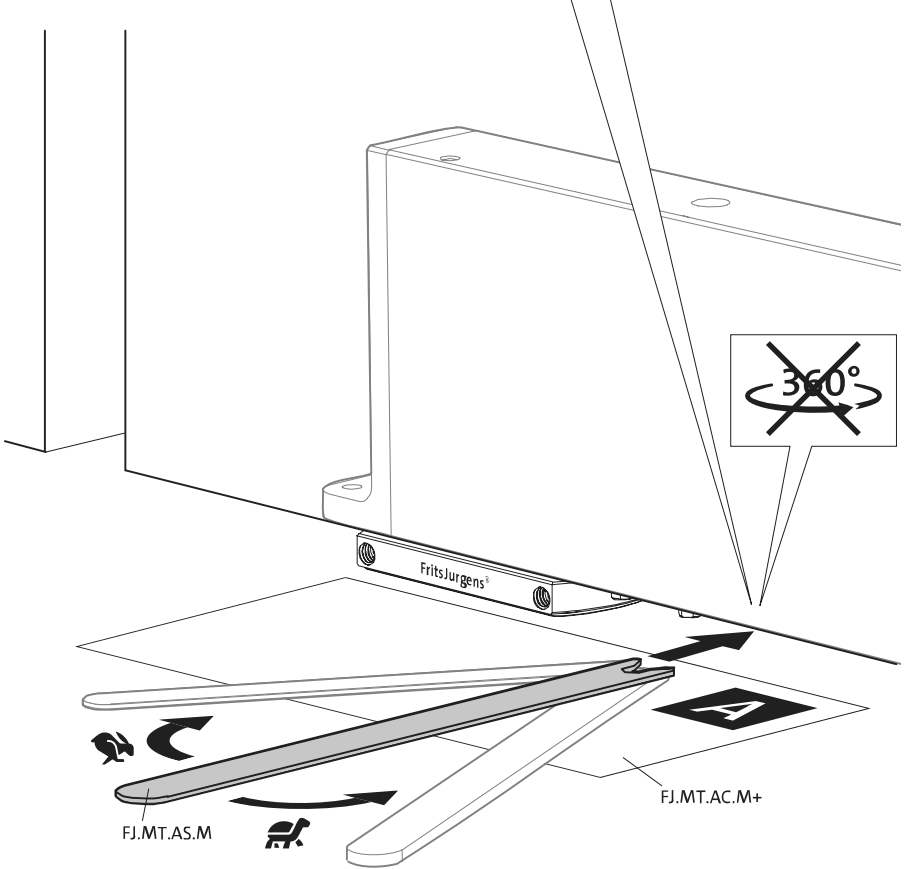
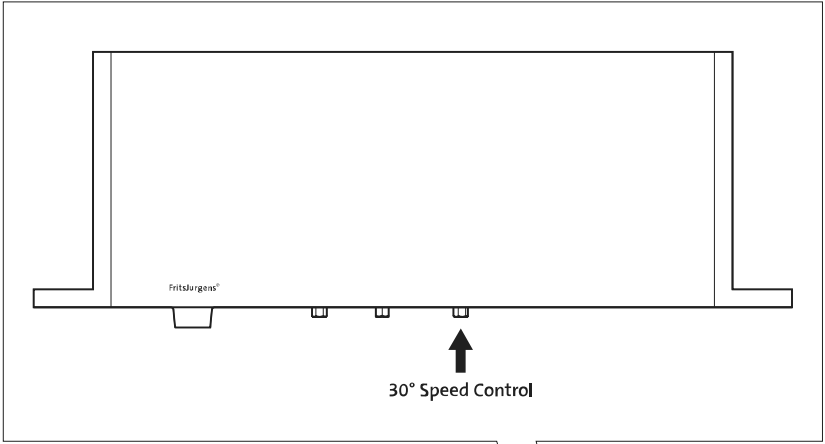






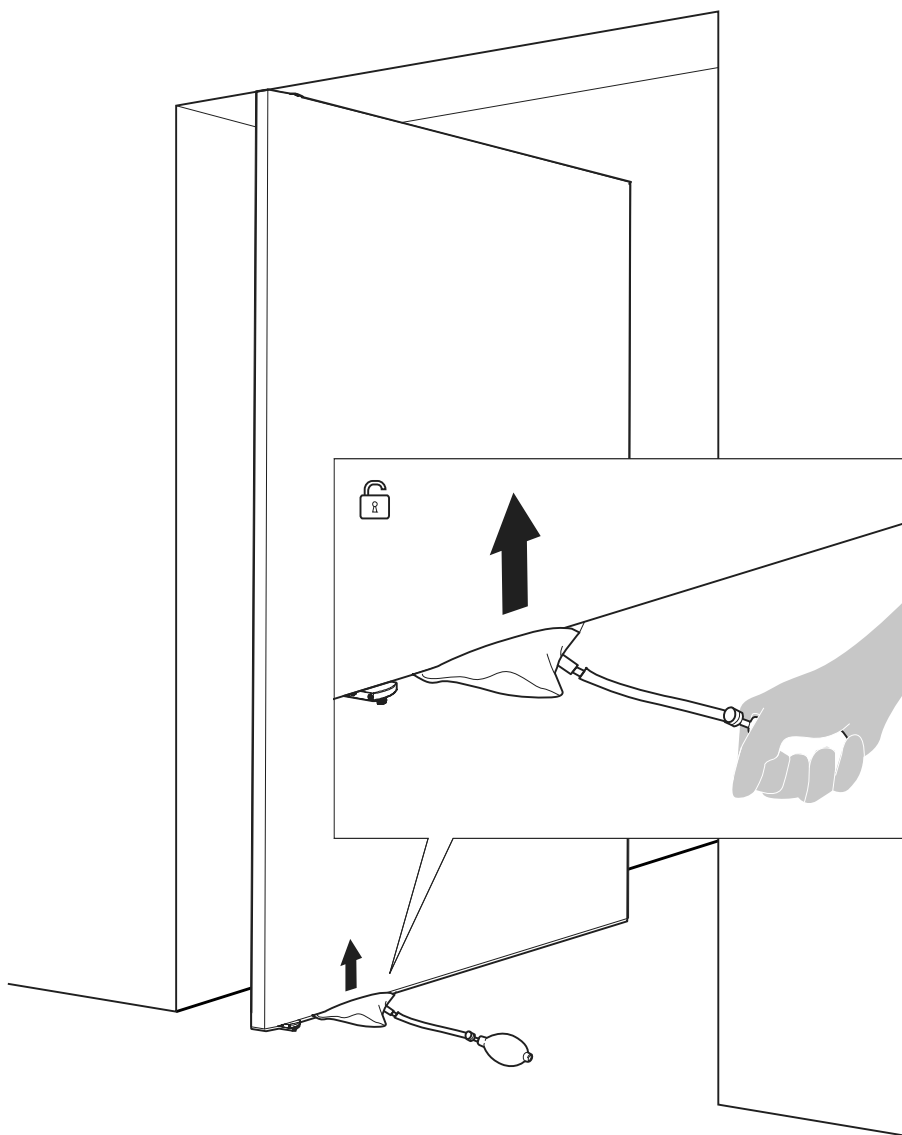


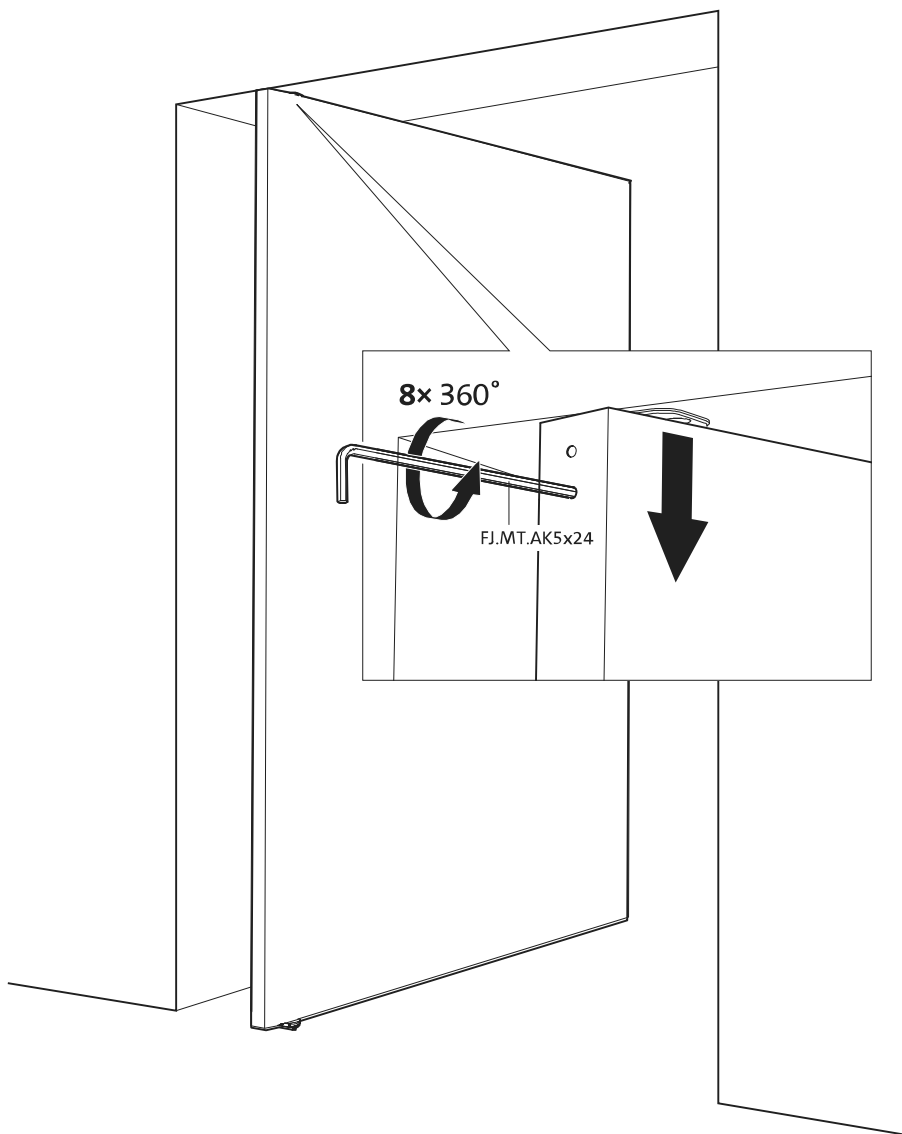






# Disassembly instructions









**FritsJurgens International**

A. Einsteinlaan 1  
The Netherlands  
9615 TE Kolham  
+31 598 343 410  
info@fritsjurgens.com

**FritsJurgens Dubai Branch**

DLC-OP-A2-4-0029  
Dubai South  
Dubai  
United Arab Emirates  
+971 4 820 8106  
+971 58 137 2611  
dubai@fritsjurgens.com  
fritsjurgens.com

Copyright © FritsJurgens®  
B.P.M.70.C.X.XX





