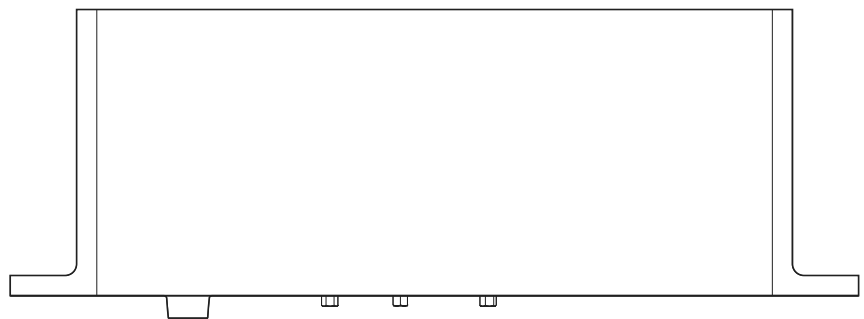
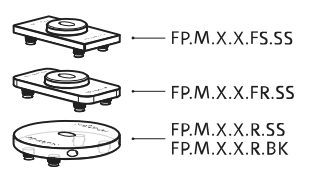
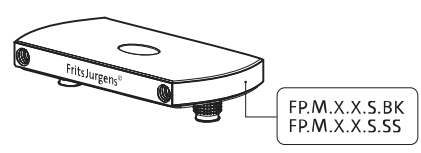
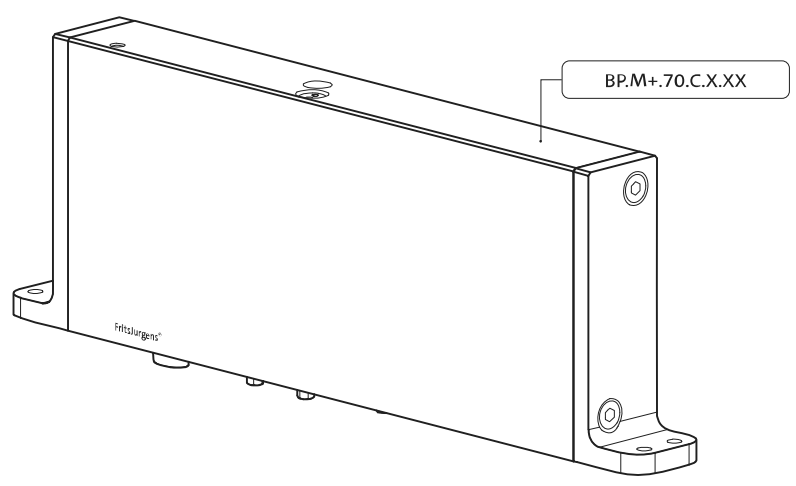
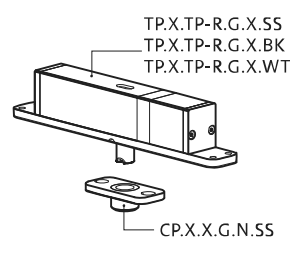
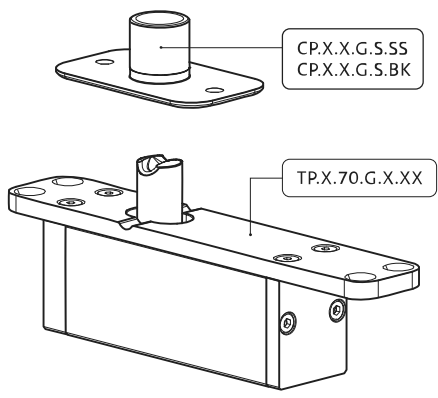


System M+

Milling and mounting manual

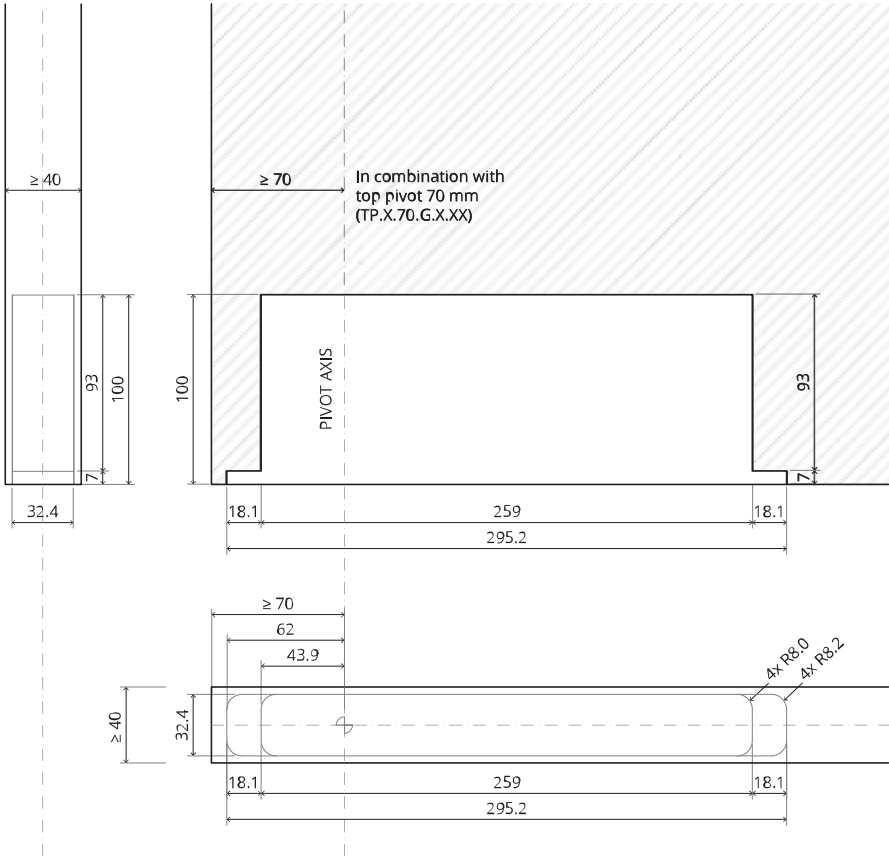
FritsJurgens Set - 70 mm Class C - invisible

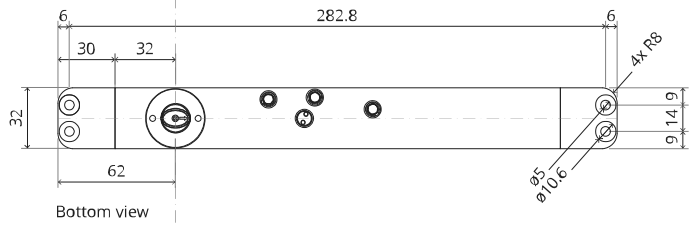
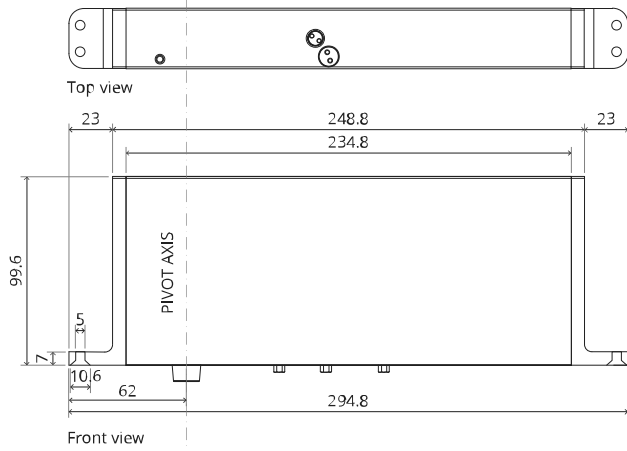
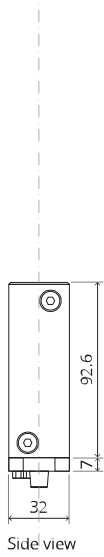




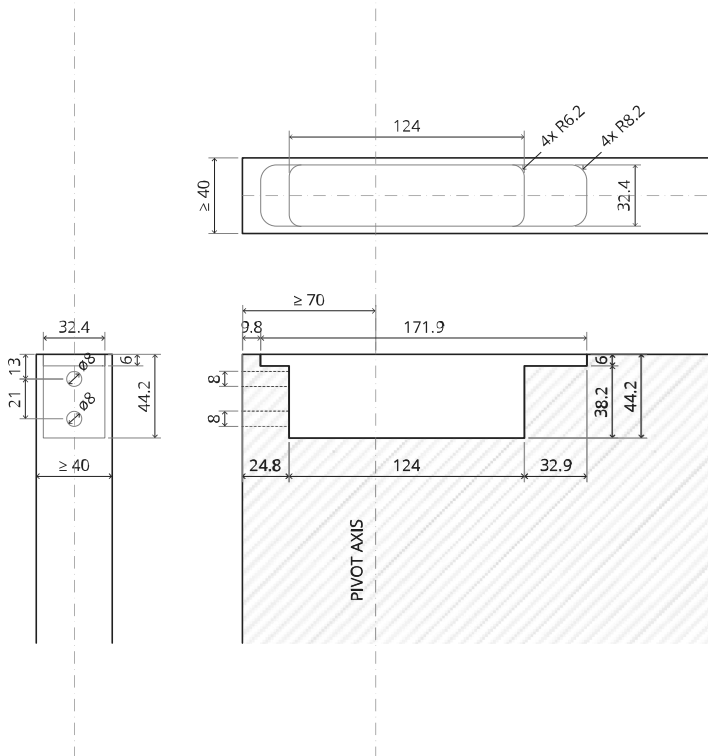
Milling instructions

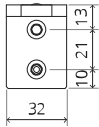
BP.M+.70.C.X.XX



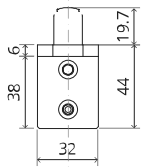


TP.X.70.G.X.XX

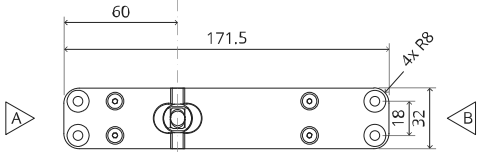




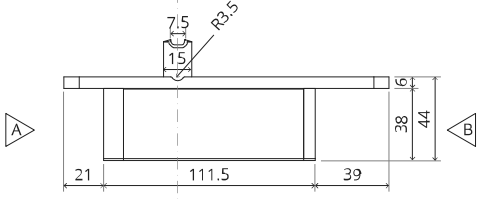
Side view A with pin turned in



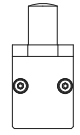
Side view A with pin turned out



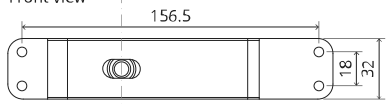
Top view



Front view

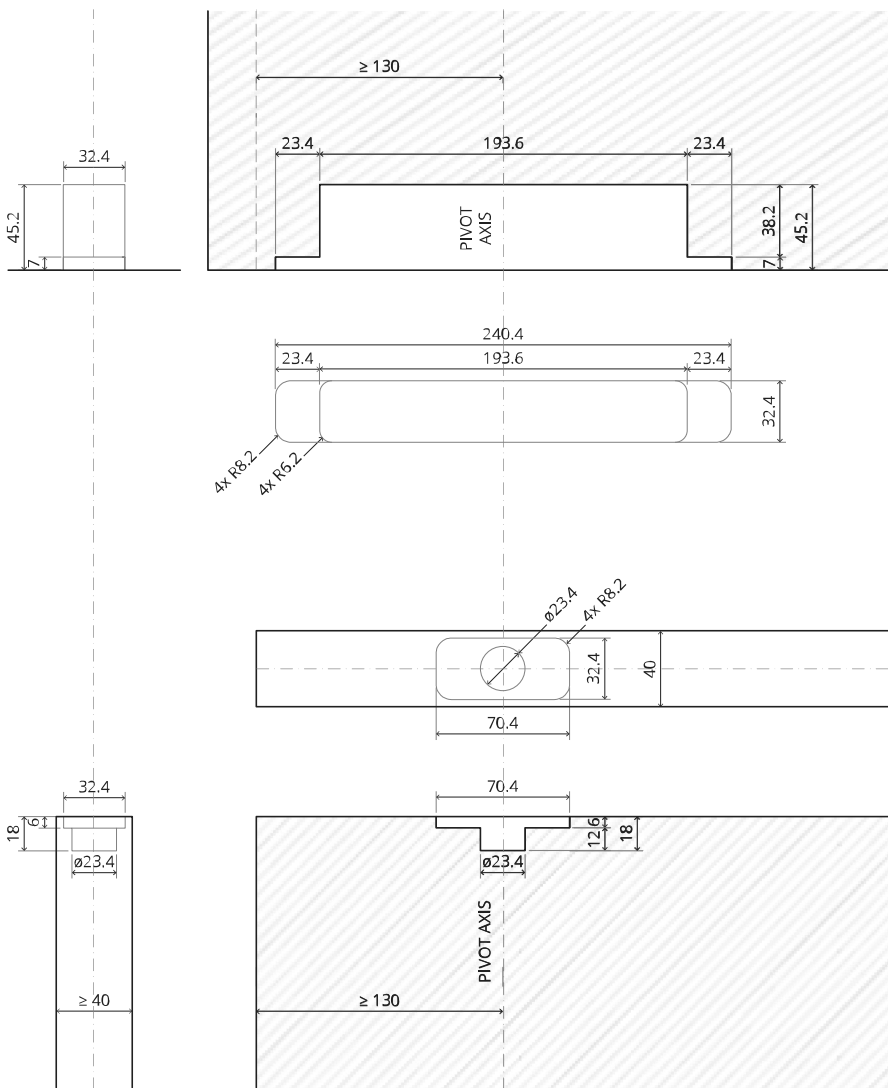


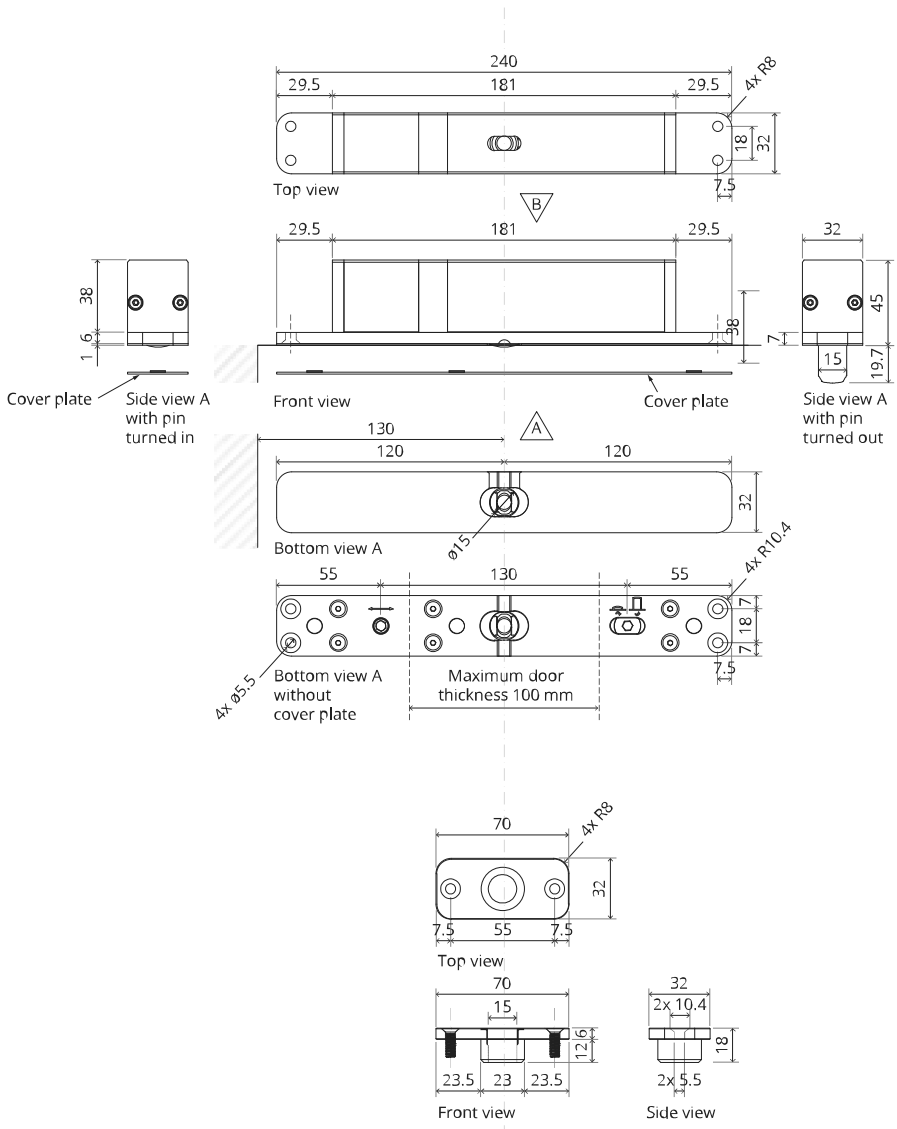
Side view B

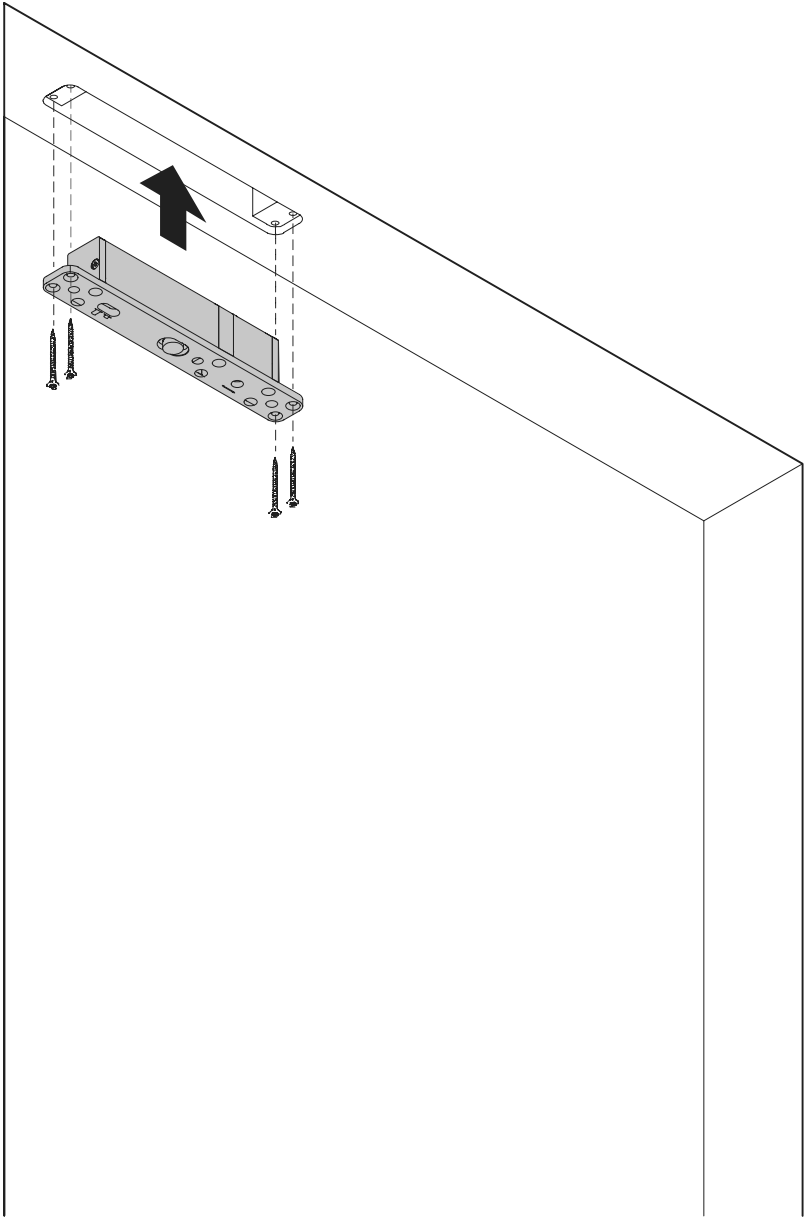


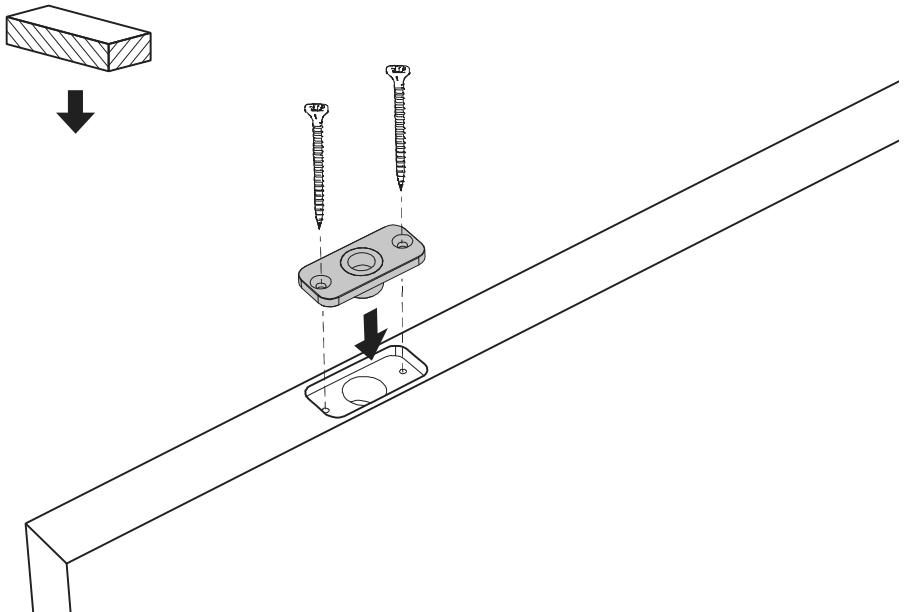
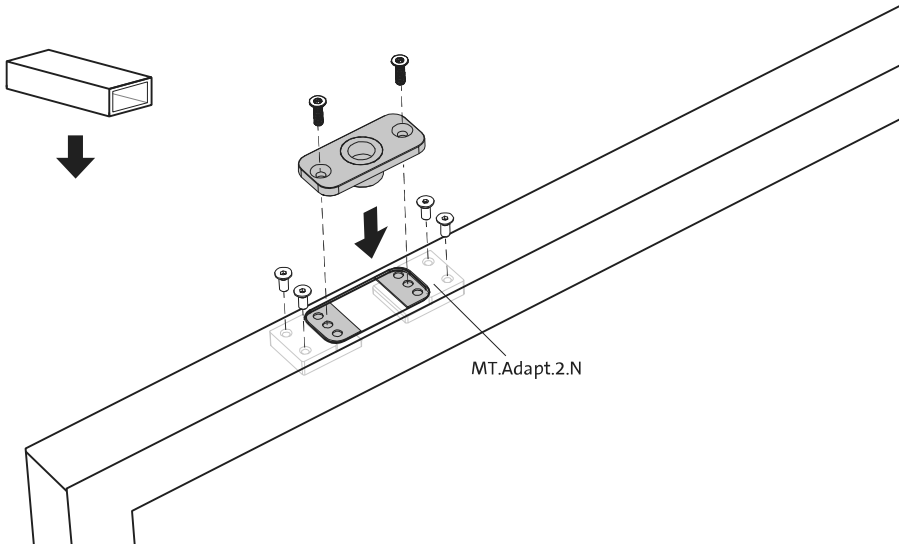
Bottom view

TP.X.TP-R.G.X.

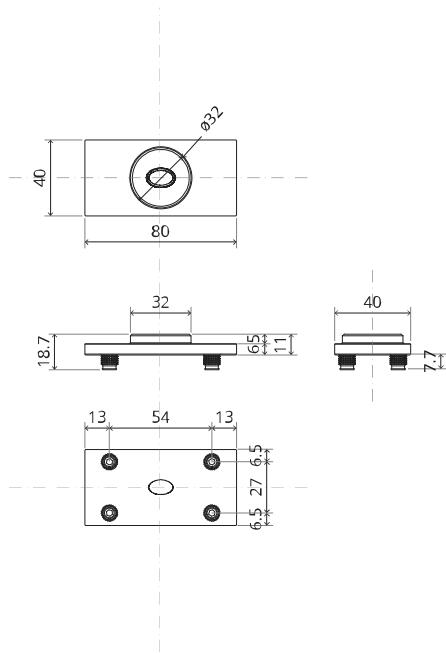
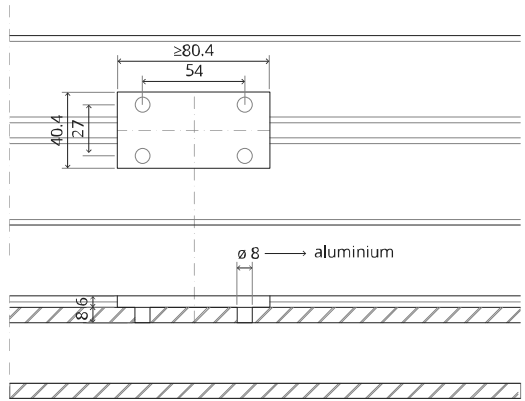


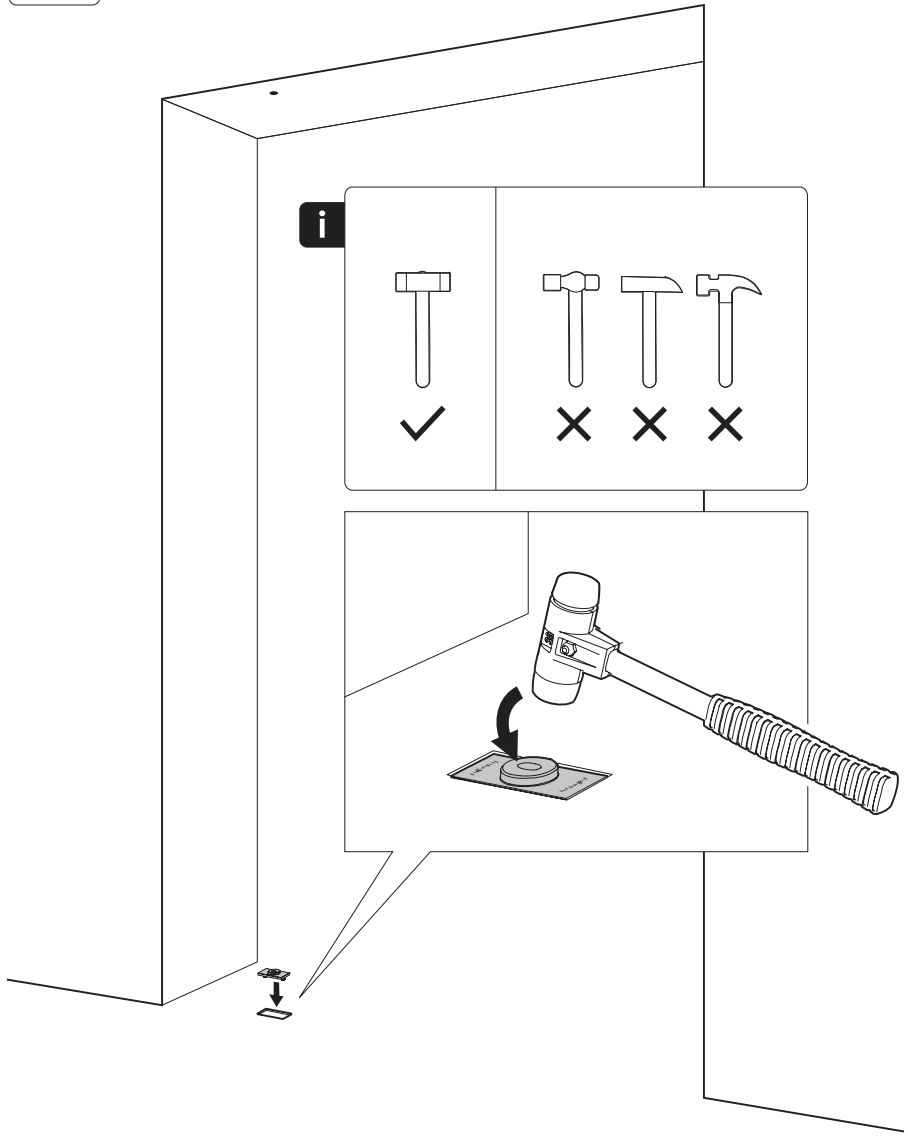




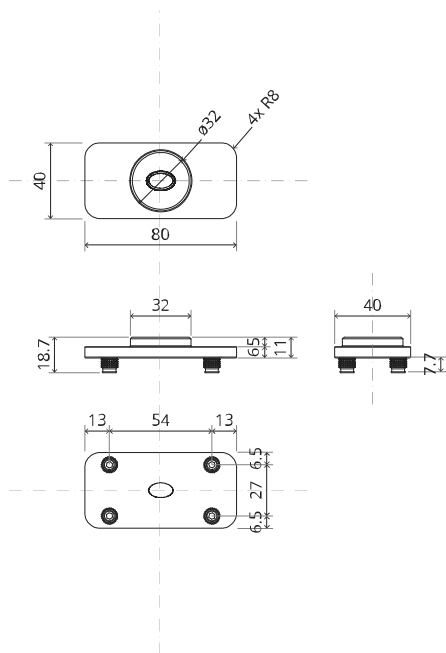
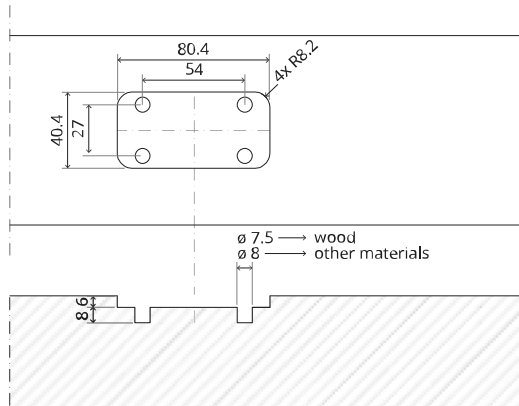


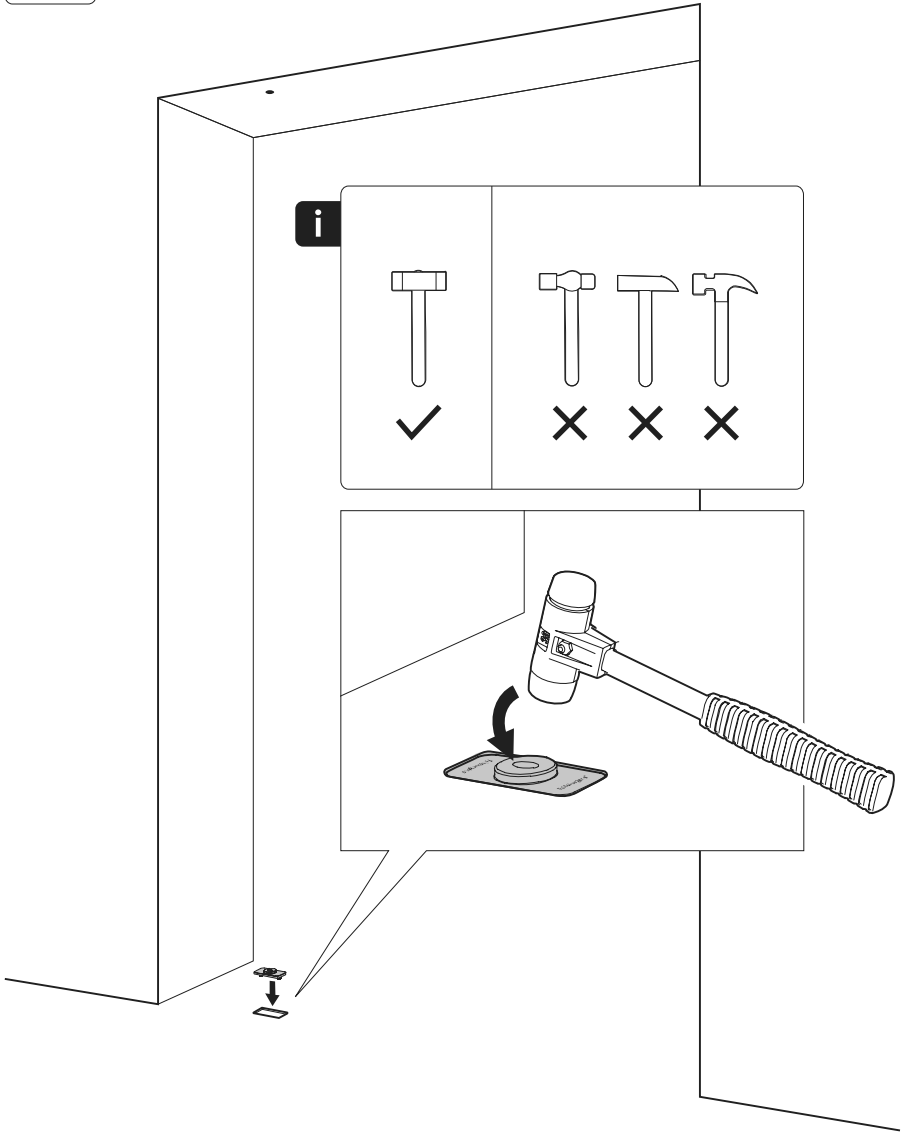
FP.M.X.X.FS.SS



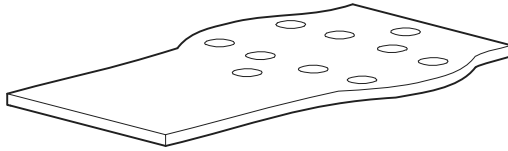


FP.M.X.X.FR.SS





Mounting instructions



FJ.MT.DT.M



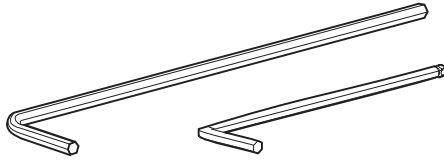
FJ.MT.Z5



10x FJ.Tx.4.0X50.PKDD

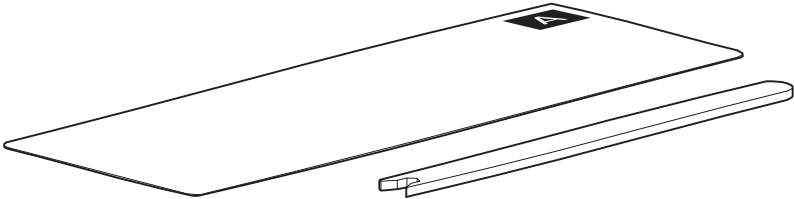


FJ.Bit.Tx20



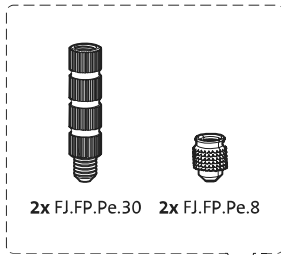
FJ.MT.AK3

FJ.MT.AK5x24

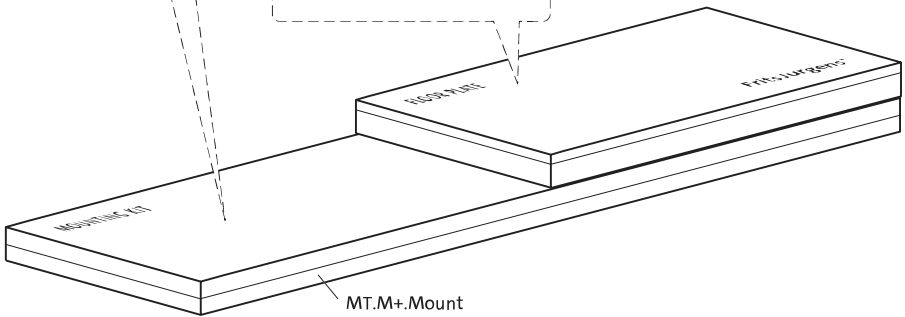


FJ.MT.AC.M+

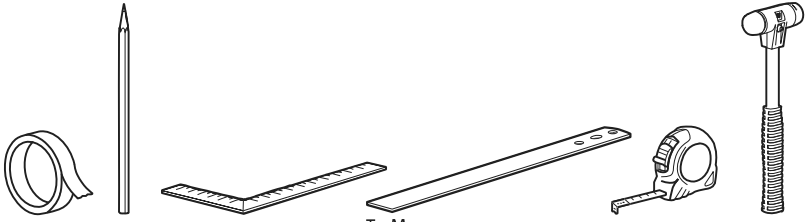
FJ.MT.AS.M



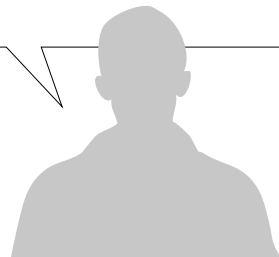
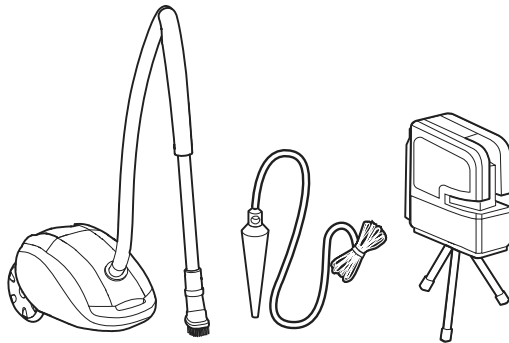
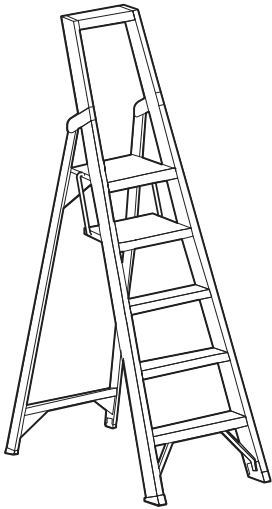
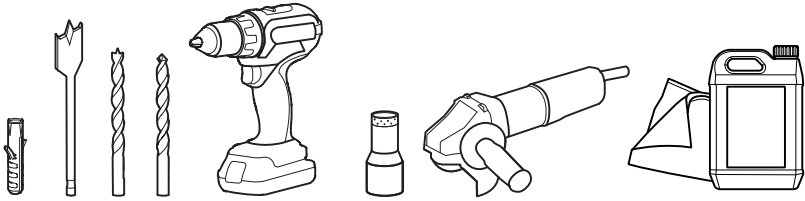
2x FJ.FP.Pe.30 2x FJ.FP.Pe.8

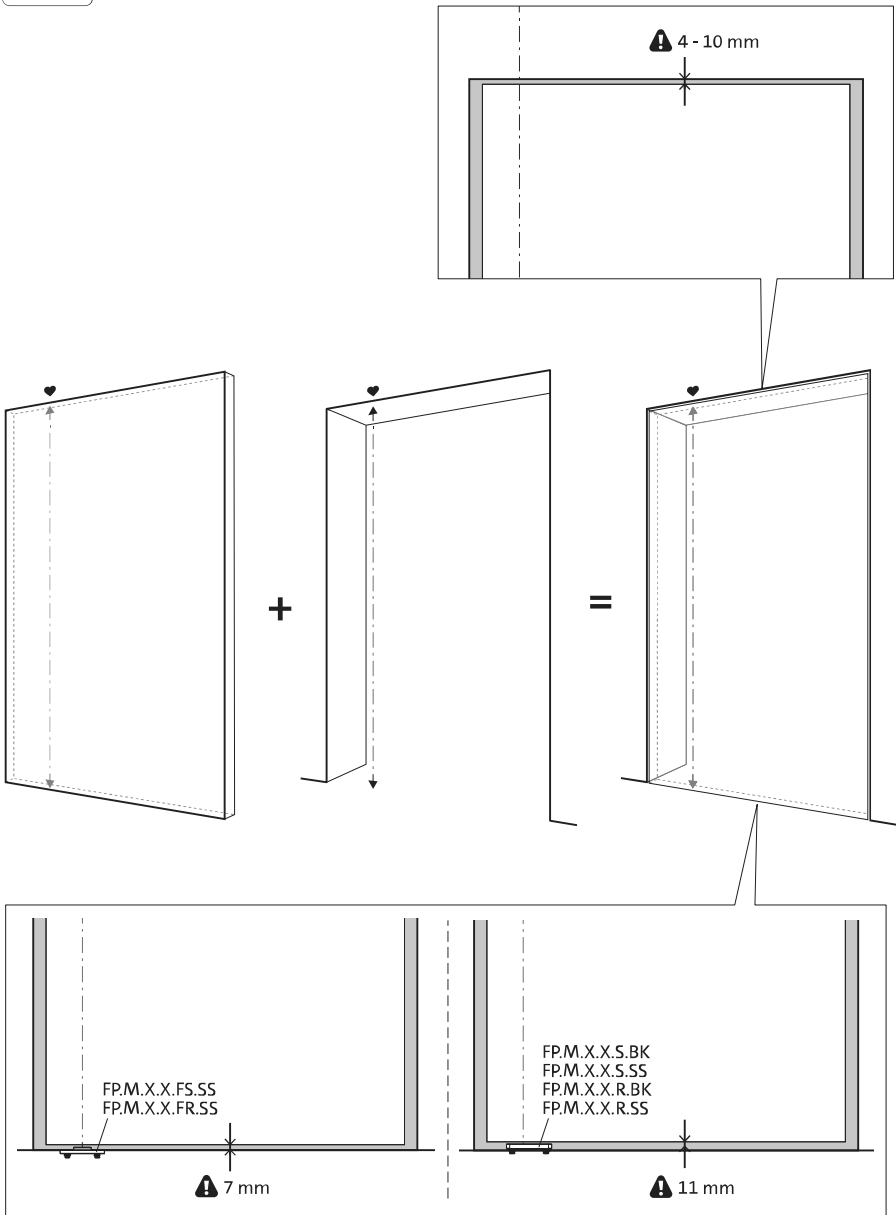


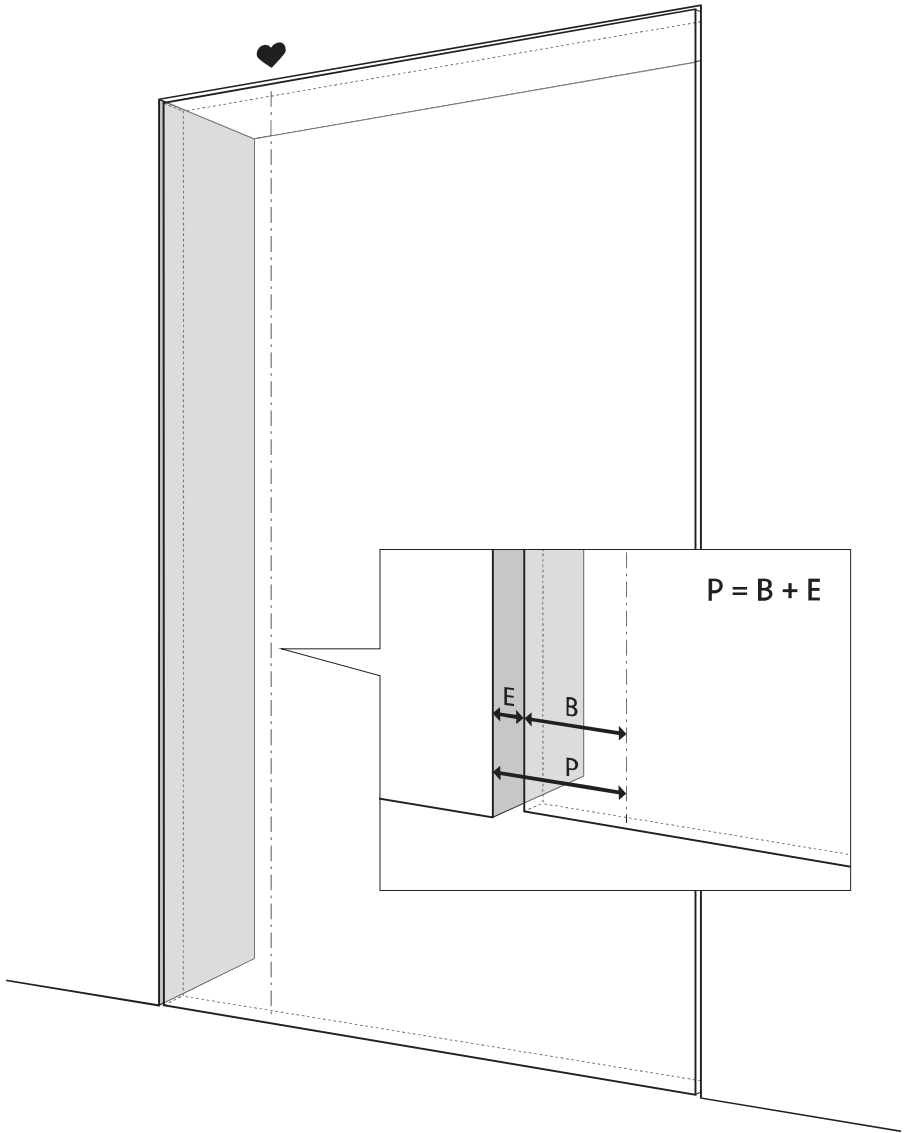
MT.M+.Mount

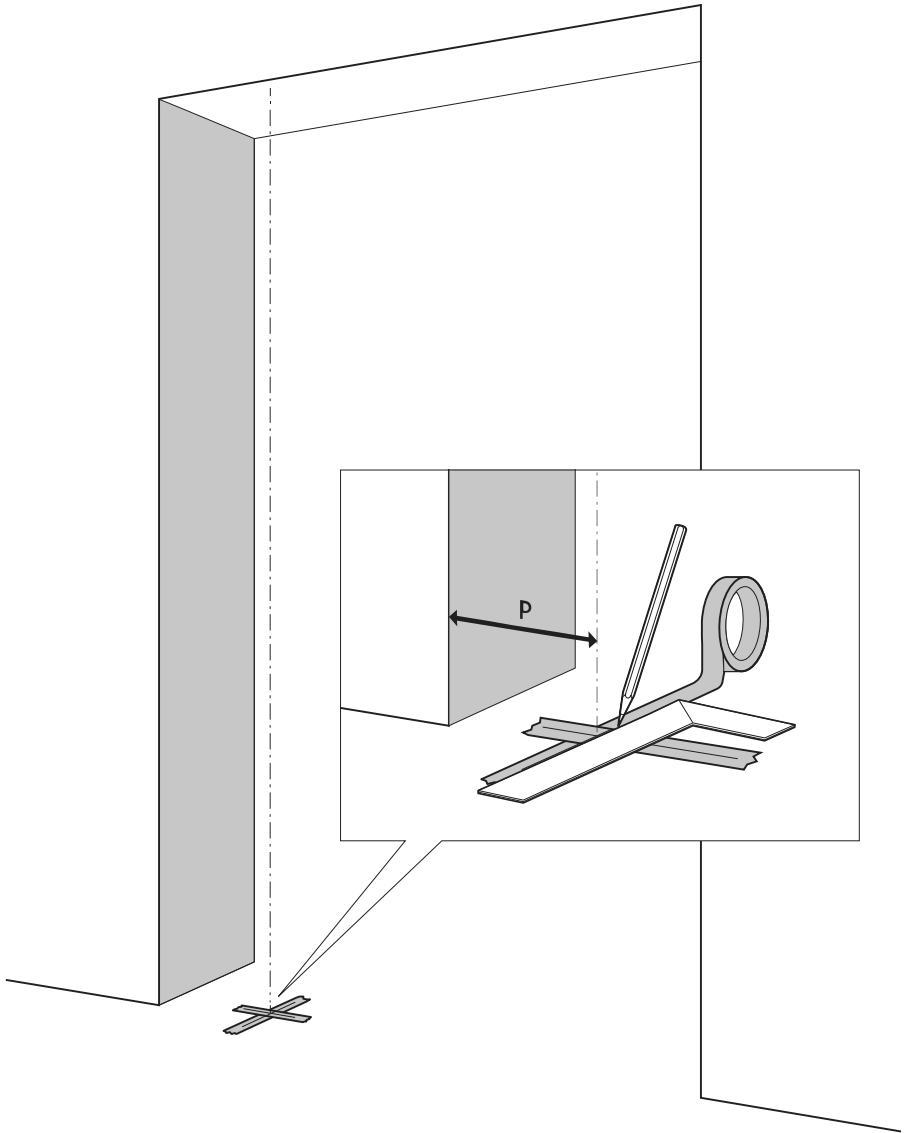


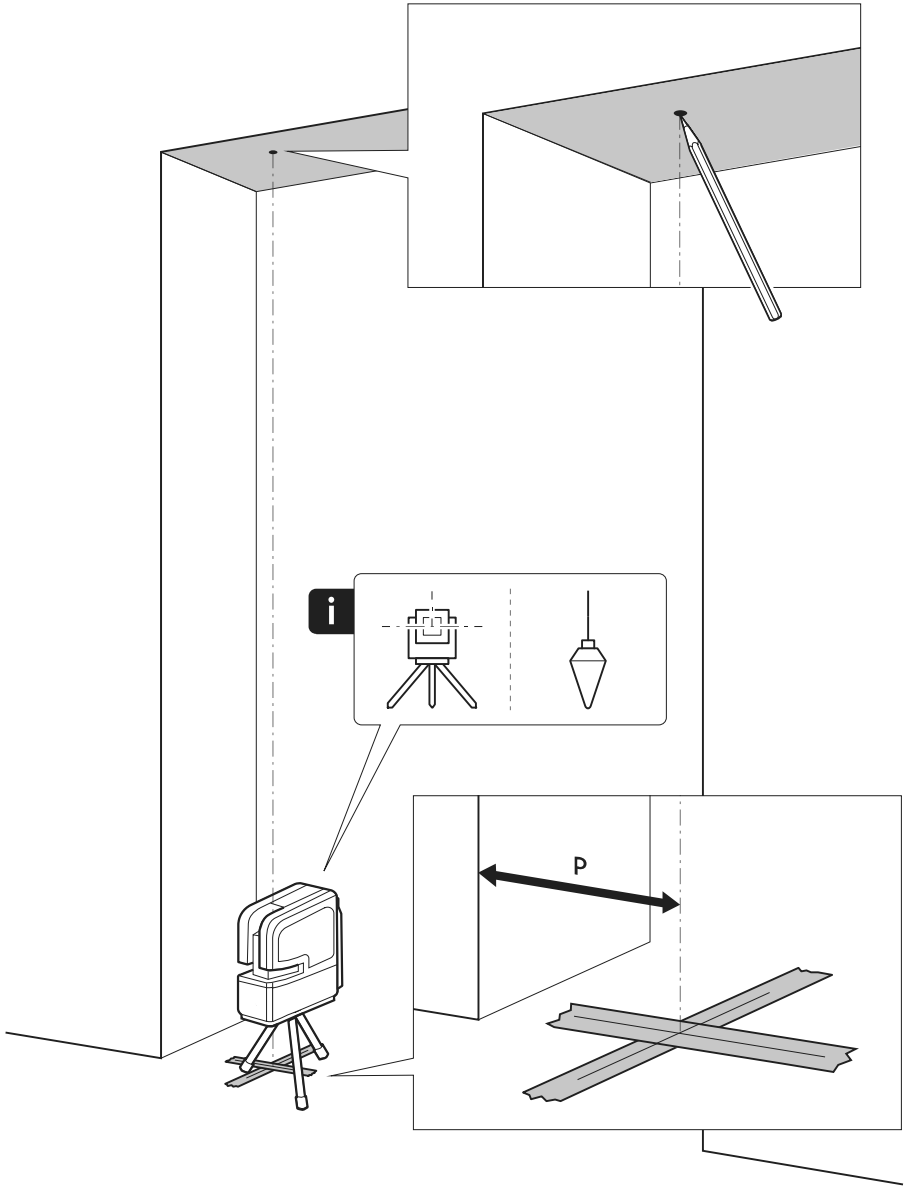
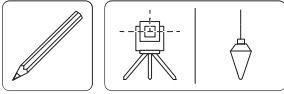
To.M

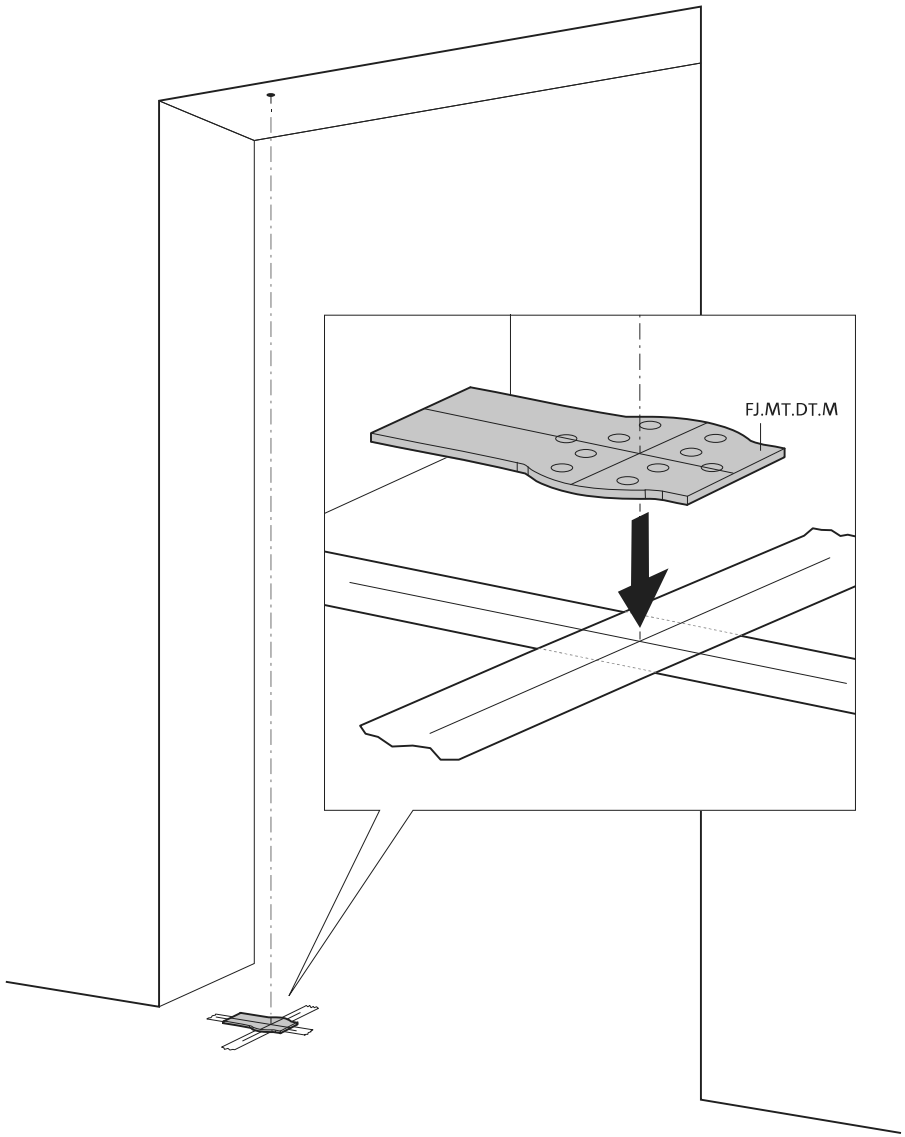


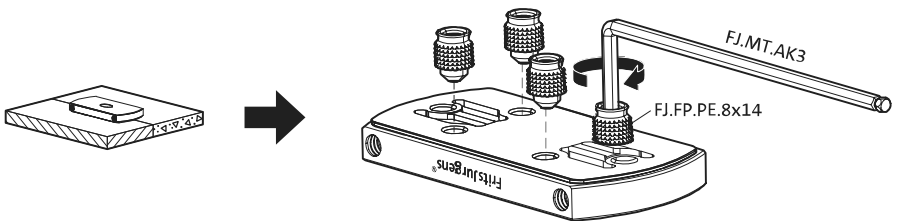
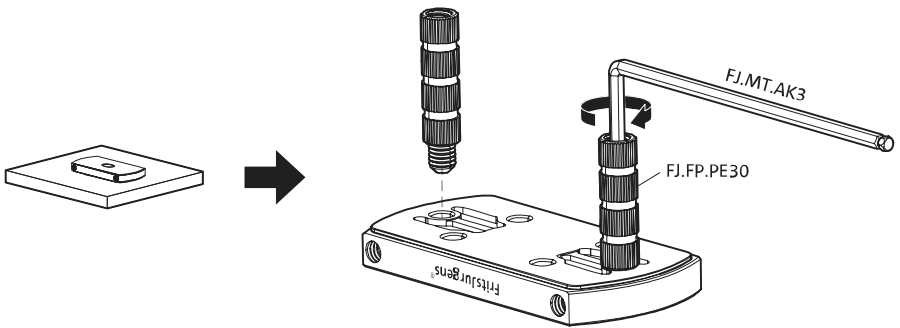
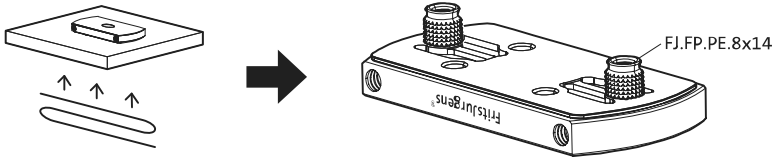


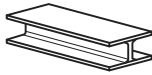




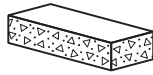
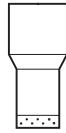




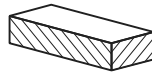




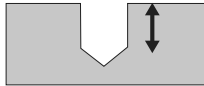
ø8 mm (5/16")



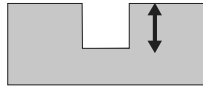
ø8 mm (5/16")



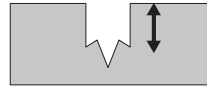
ø7.5 mm (19/64")



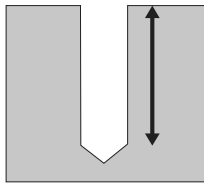
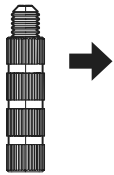
8 mm (5/16")



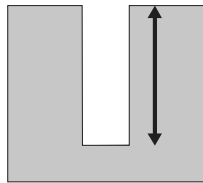
8 mm (5/16")



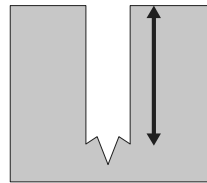
8 mm (5/16")



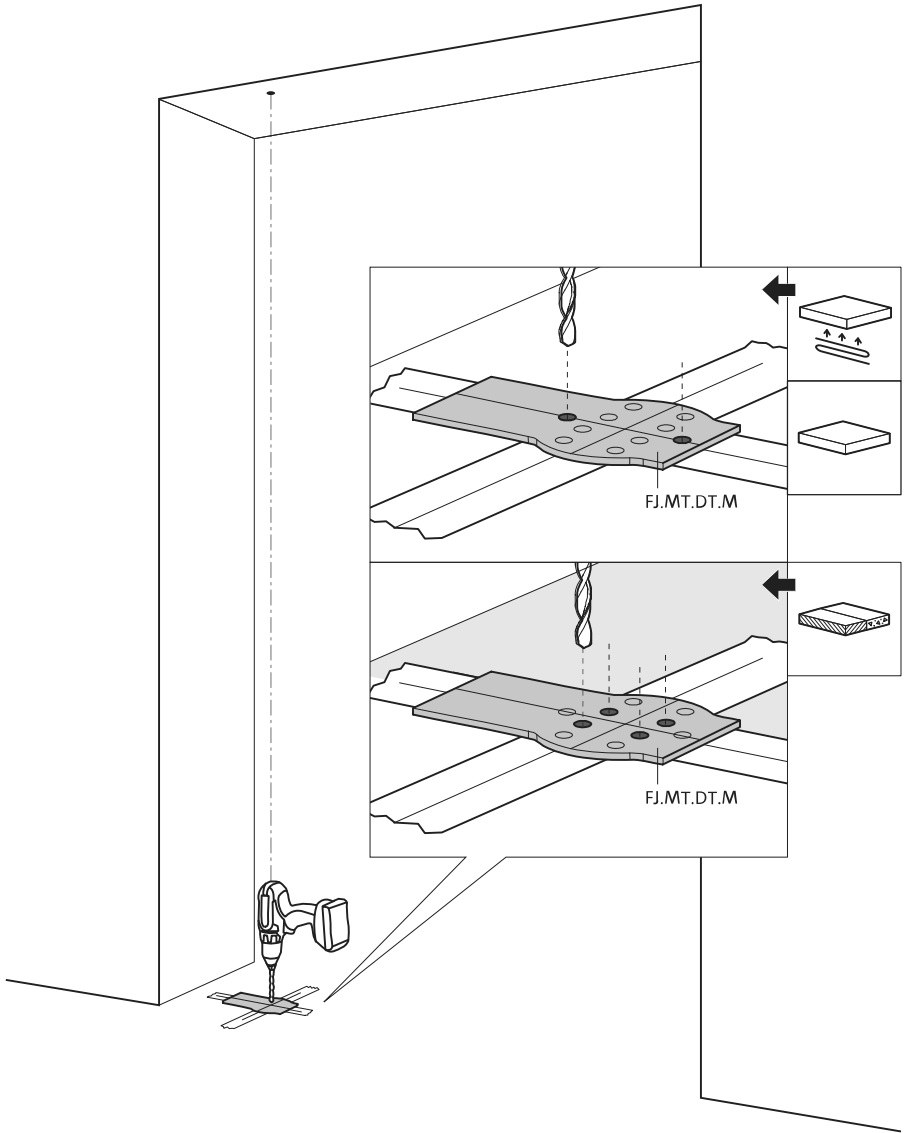
30 mm (13/16")

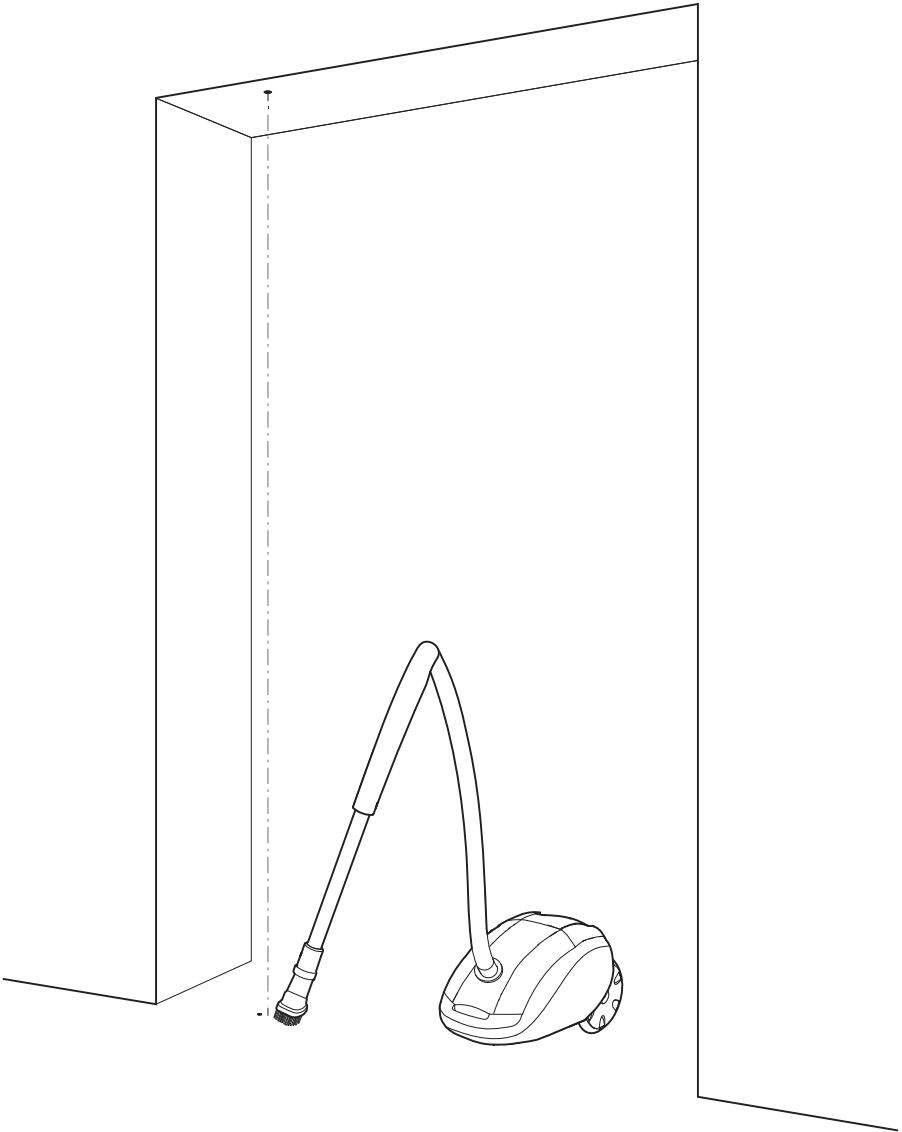


30 mm (13/16")



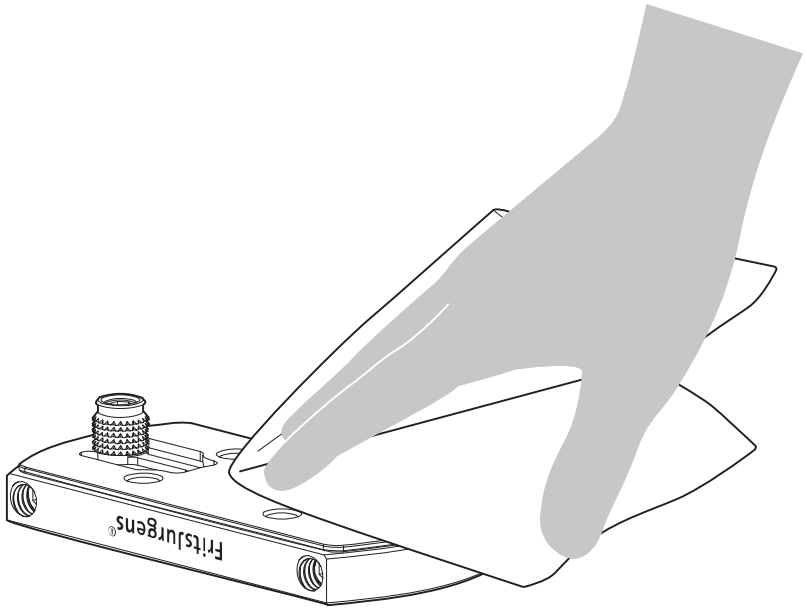
30 mm (13/16")



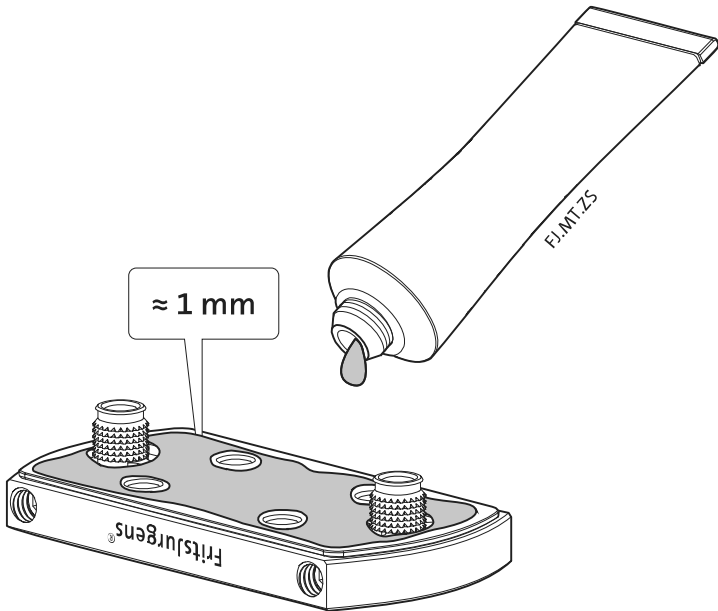


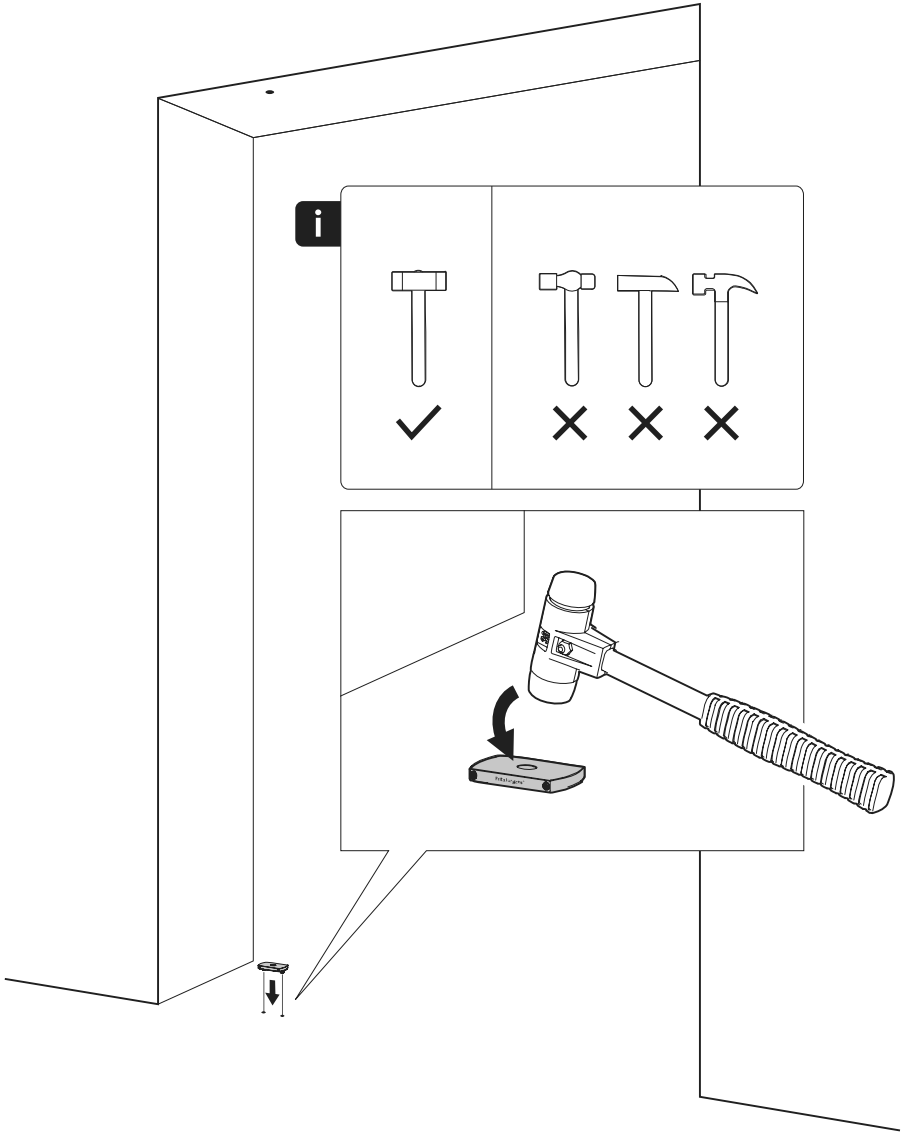


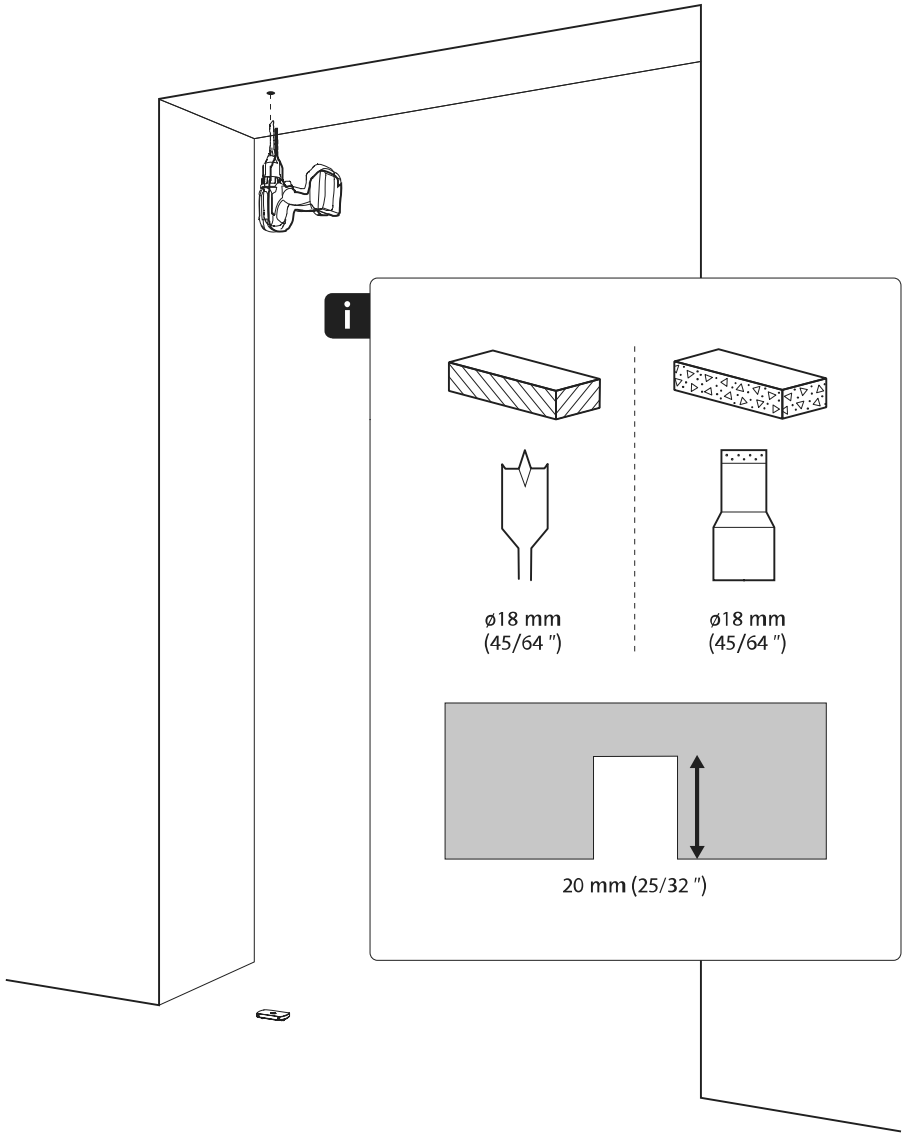
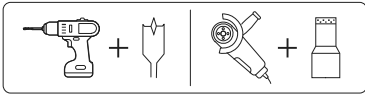
1



2

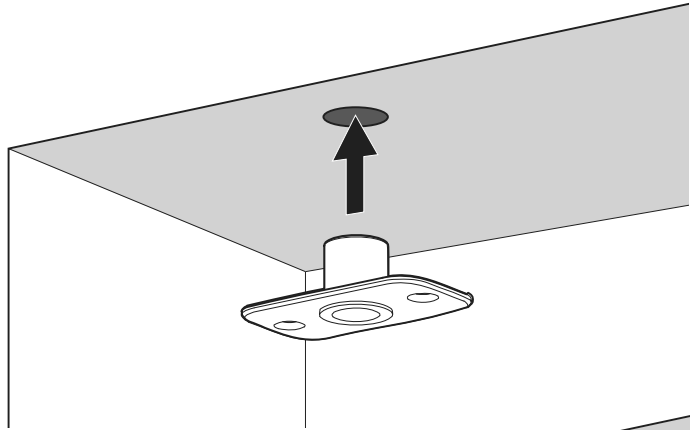




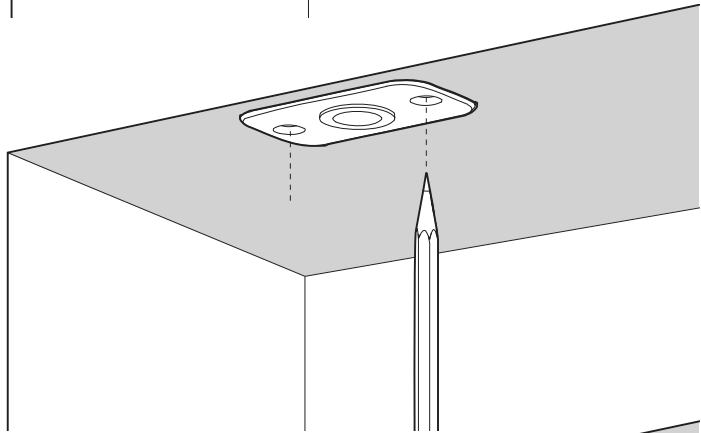




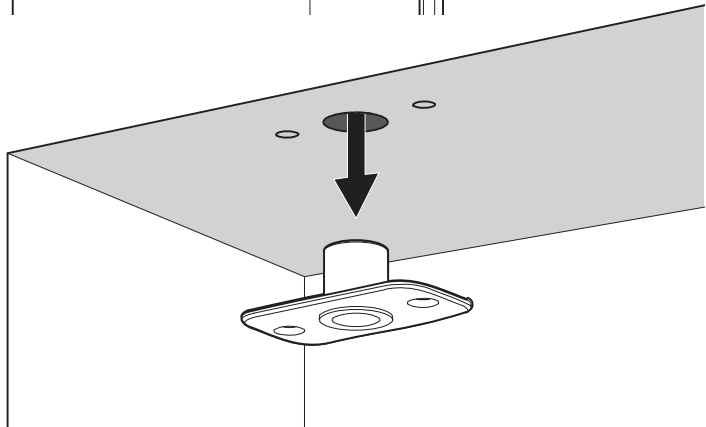
1



2

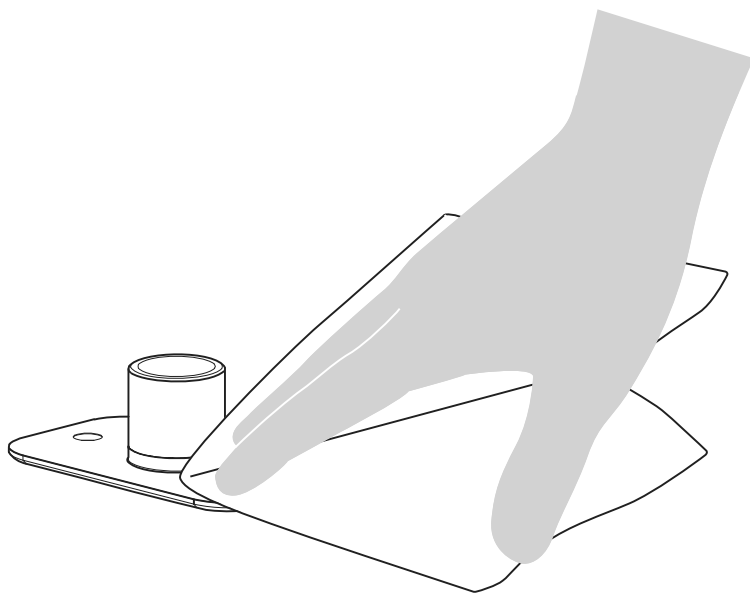


3

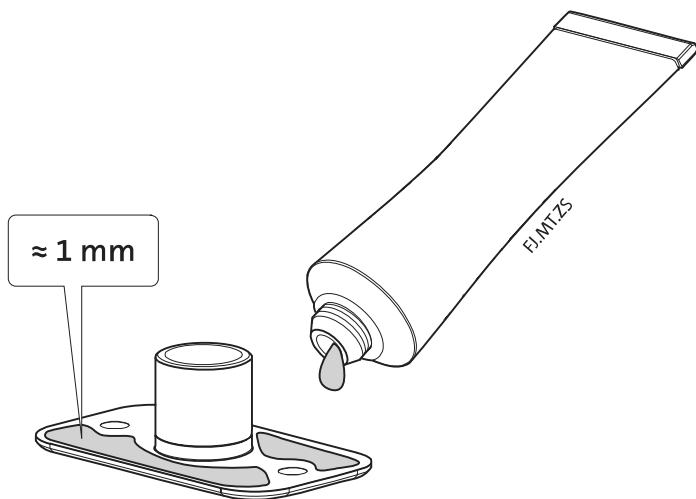




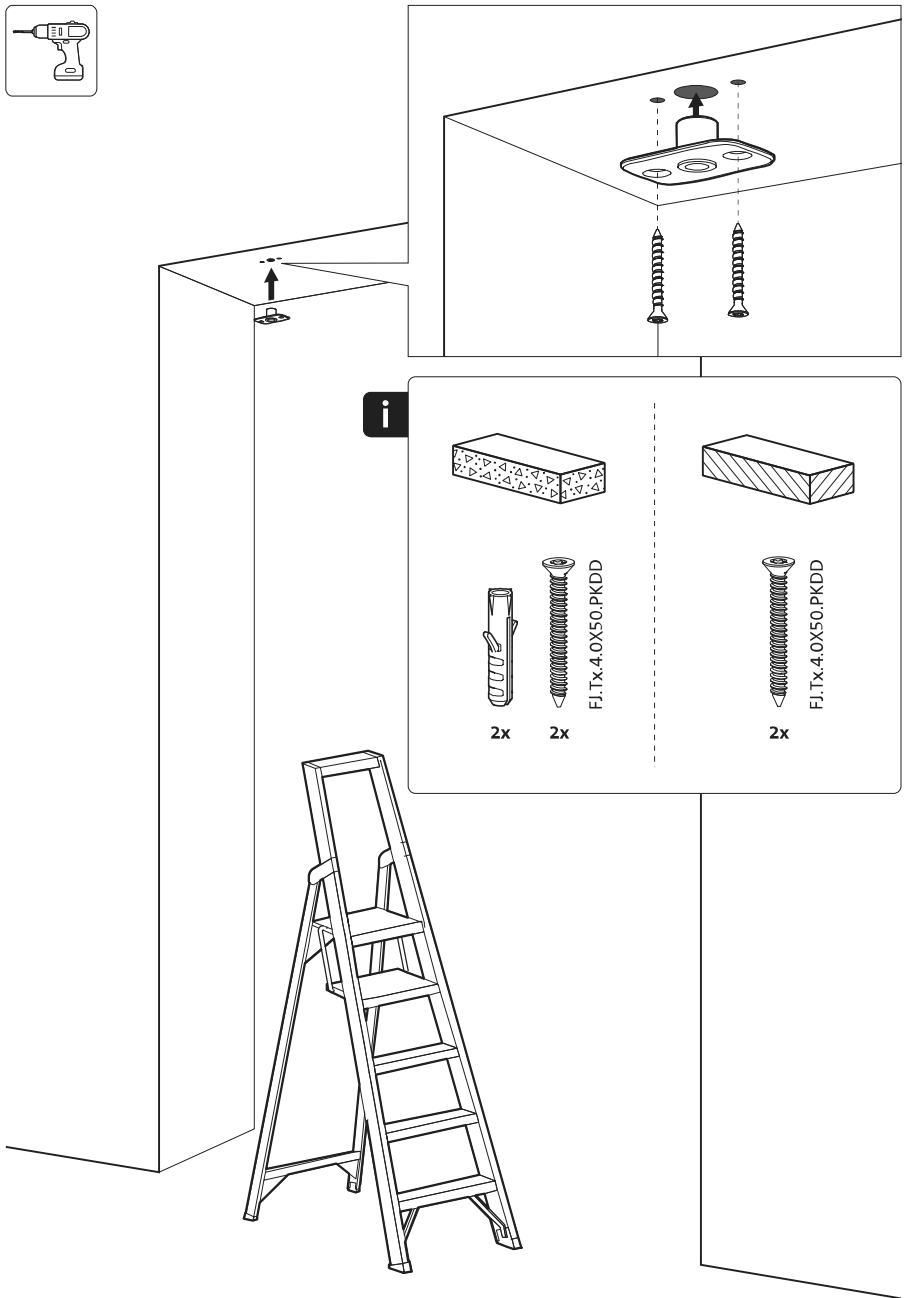
1

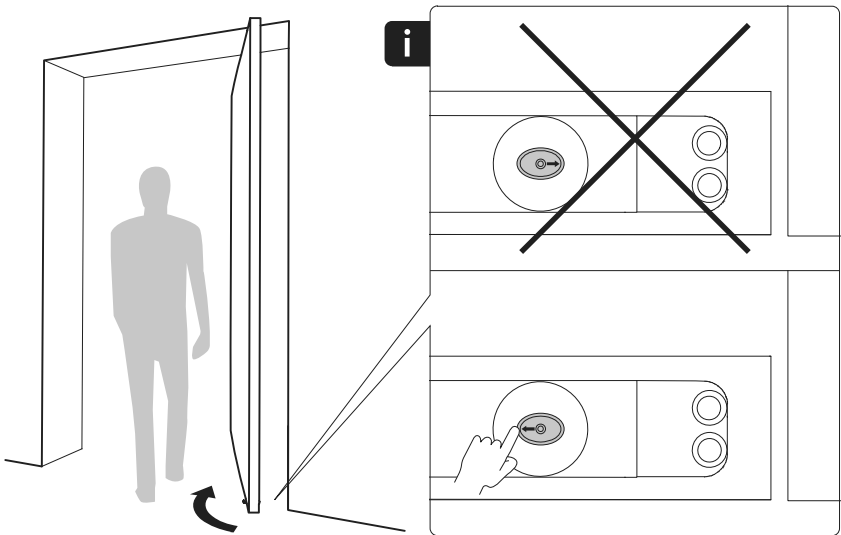
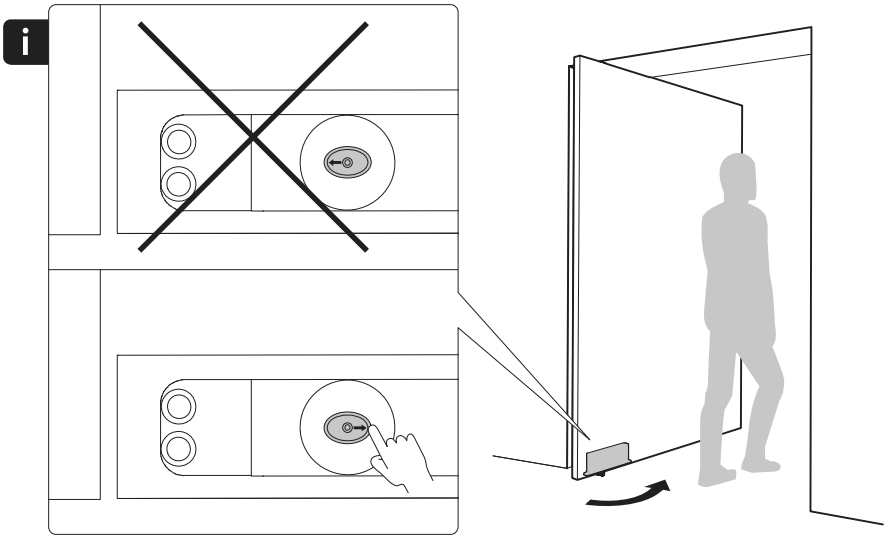


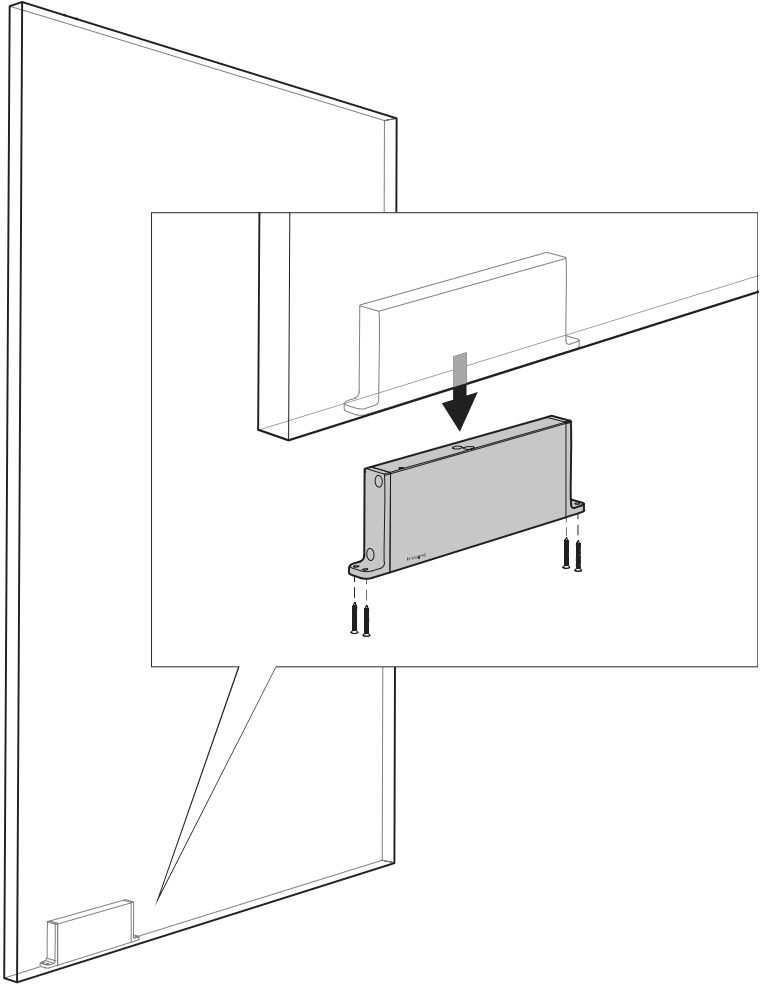
2

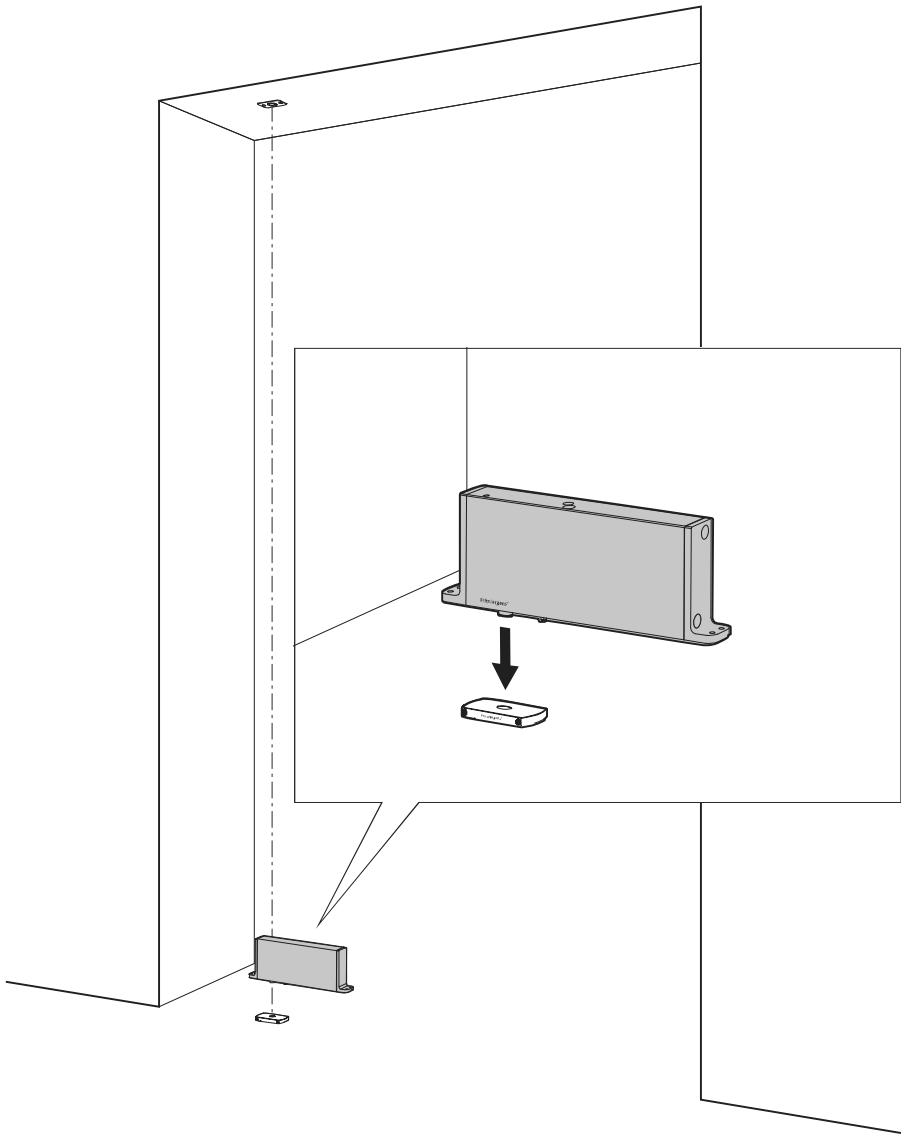


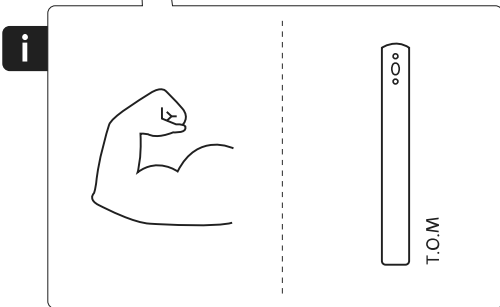
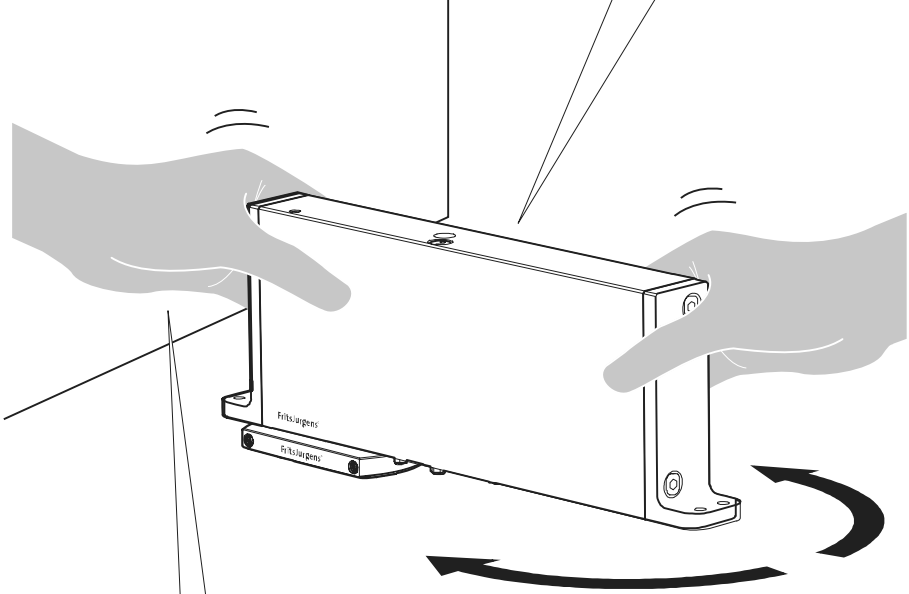
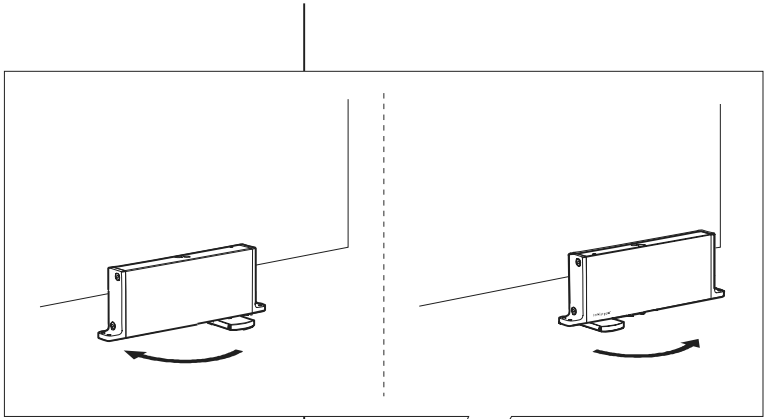
≈ 1 mm

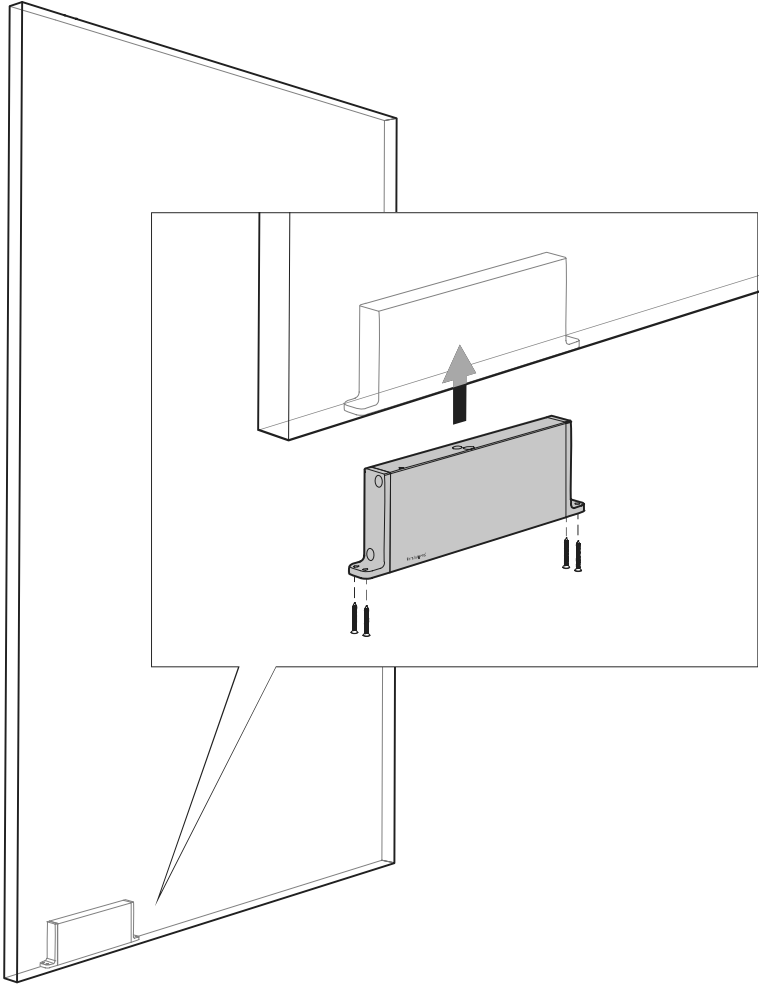


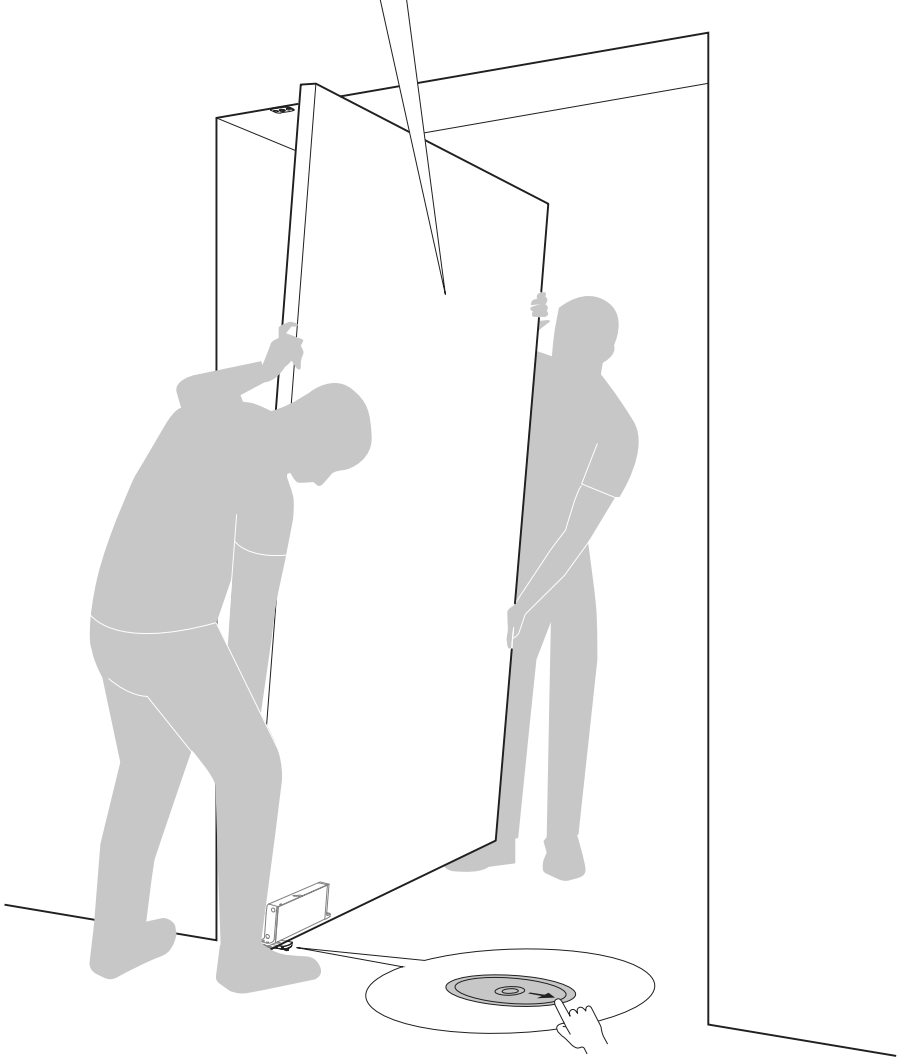
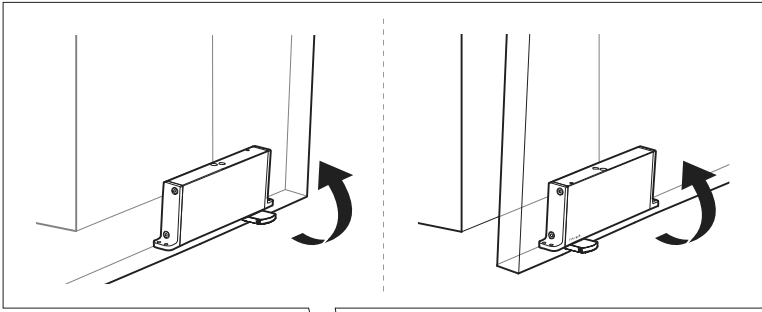


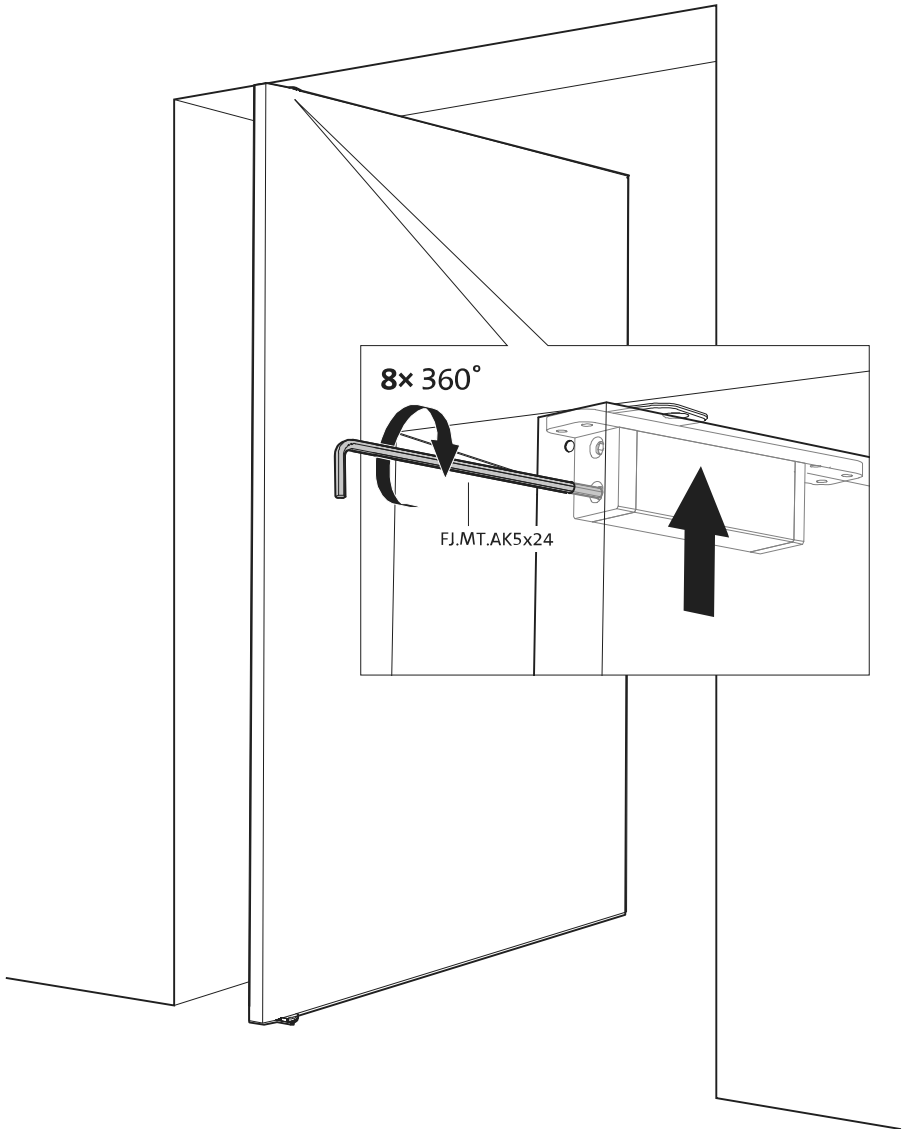
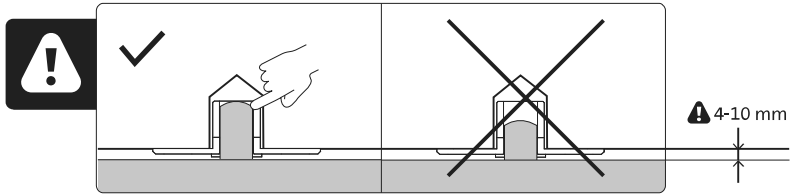


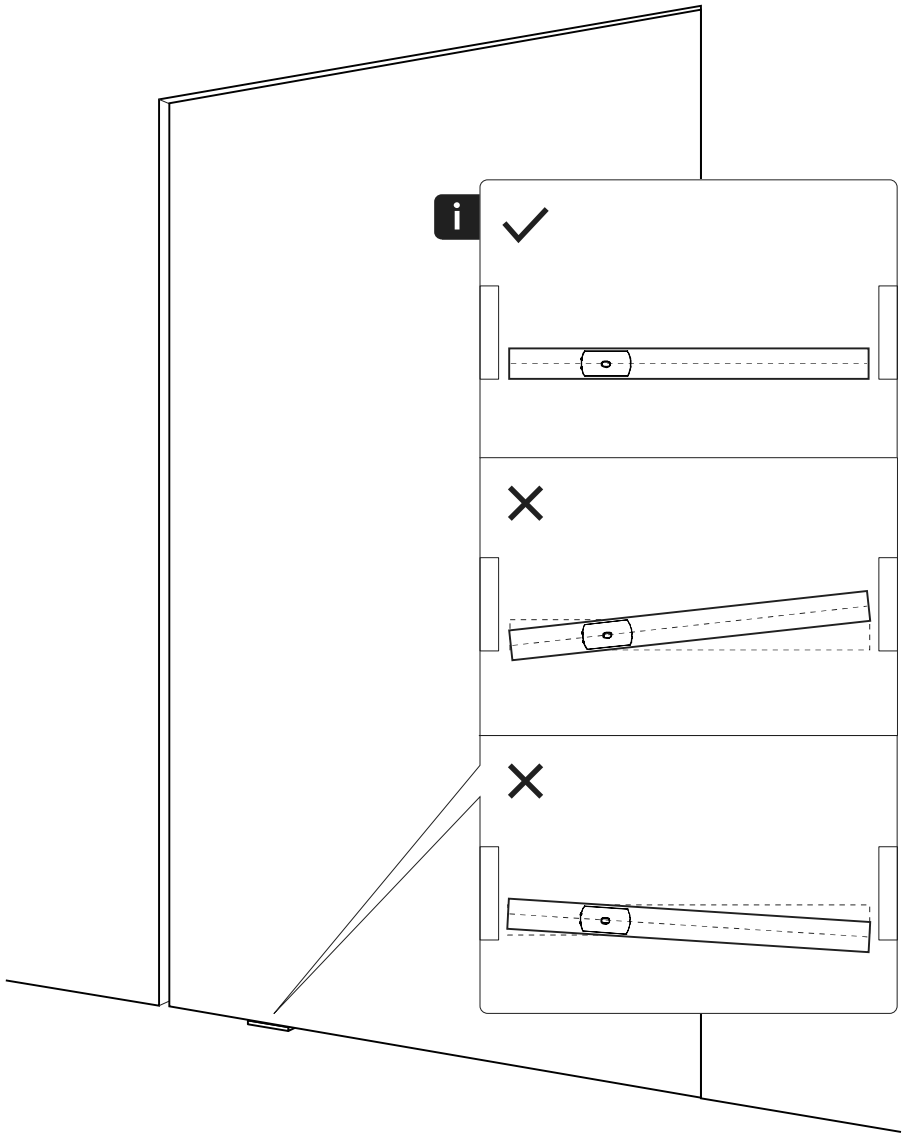


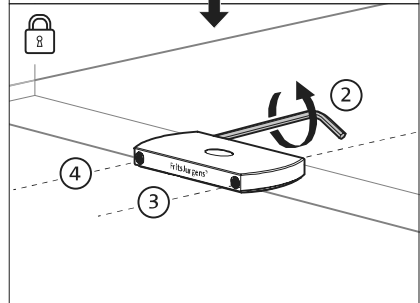
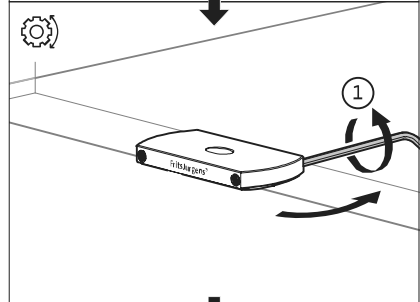
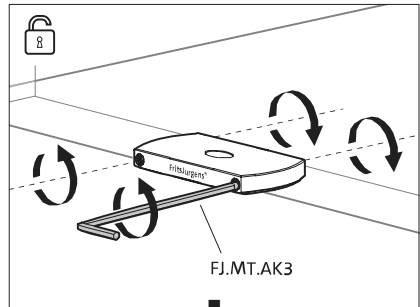
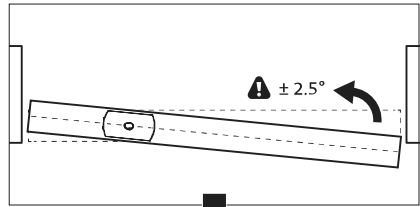
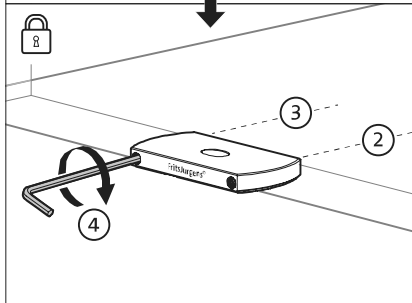
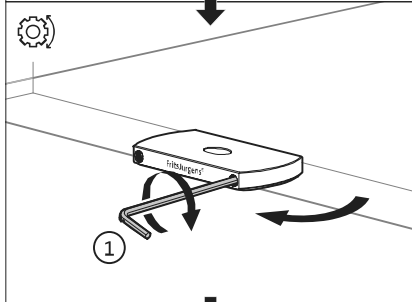
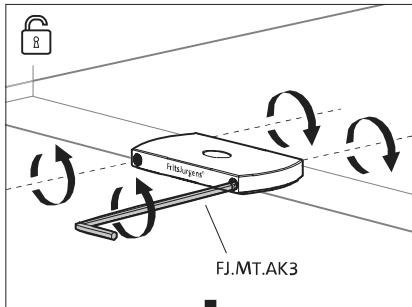
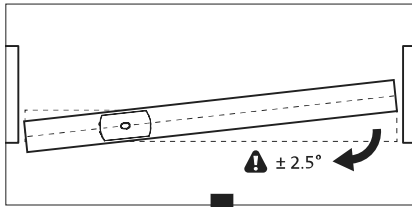


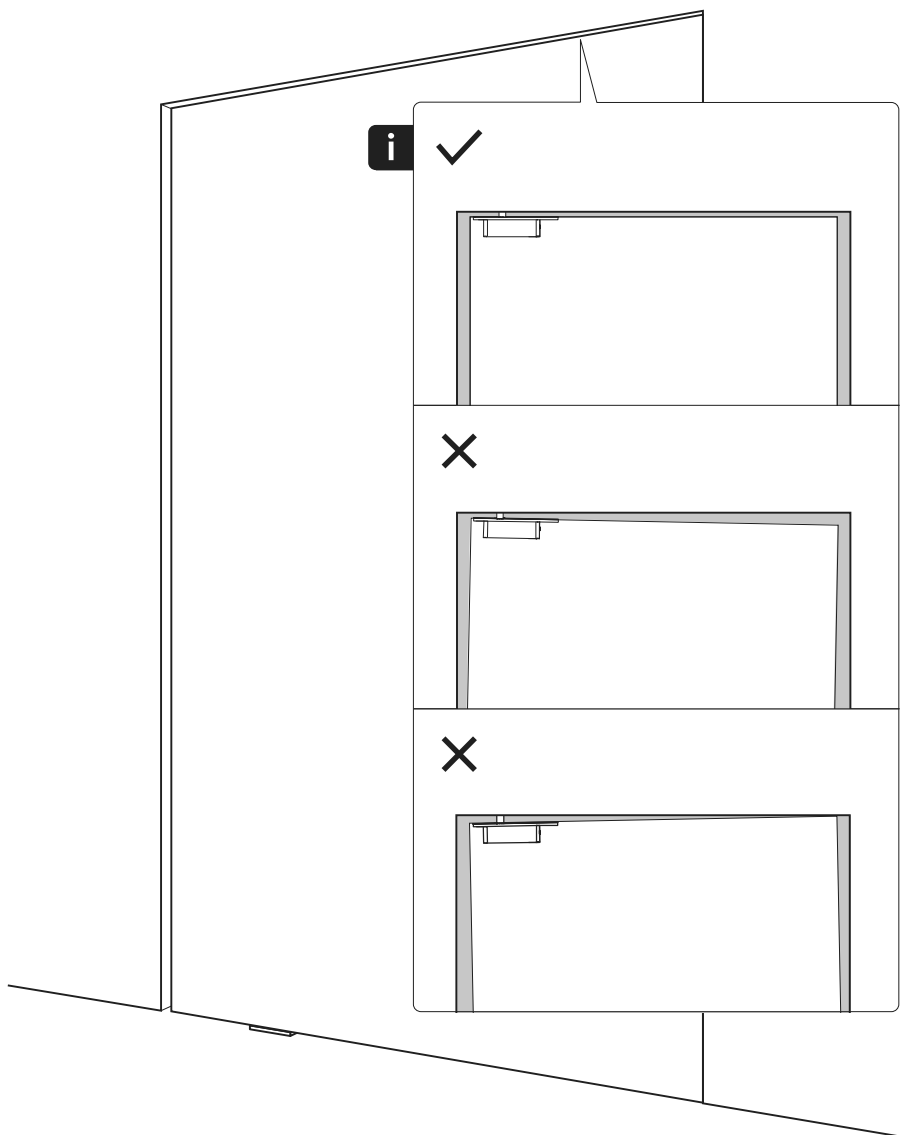


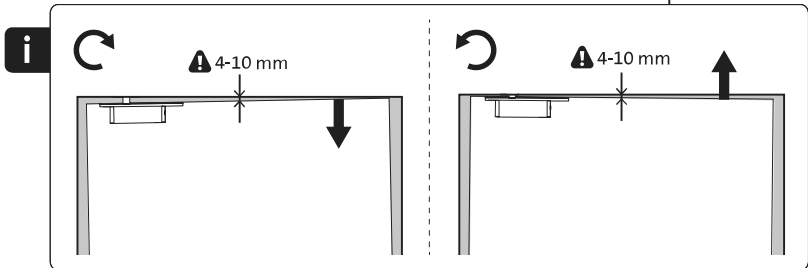
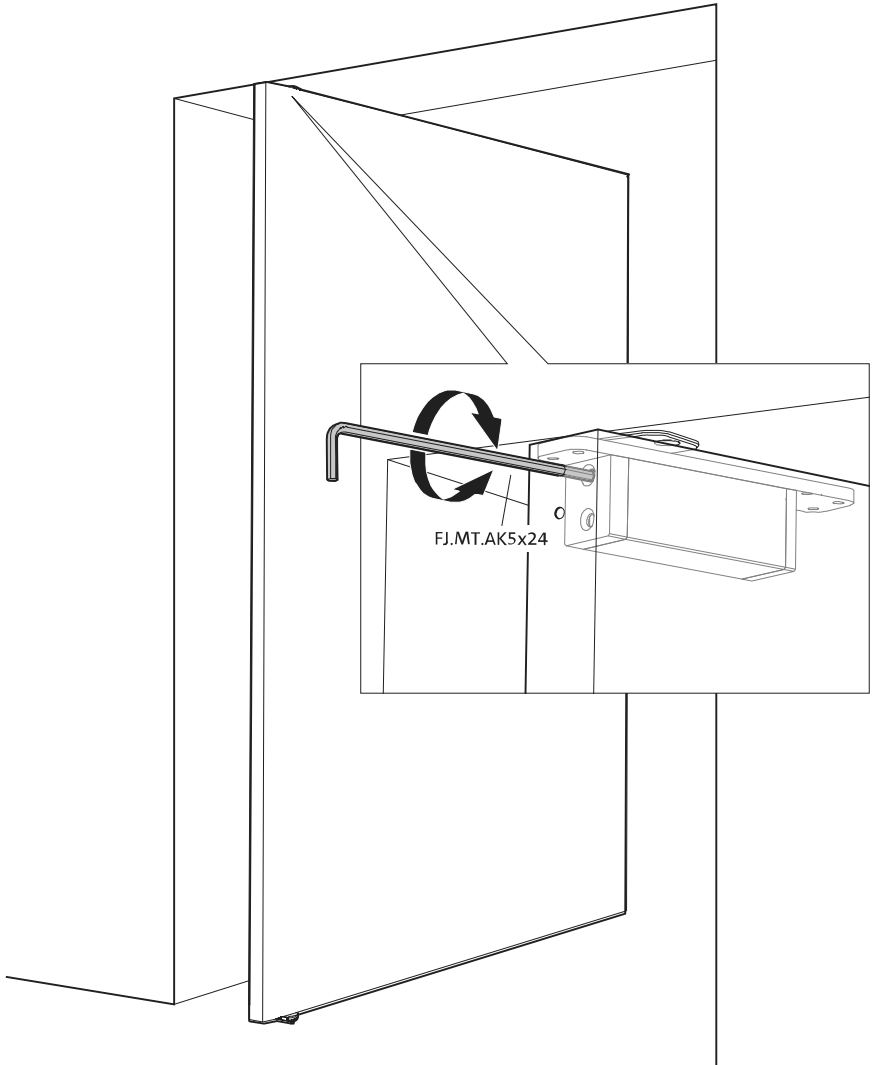


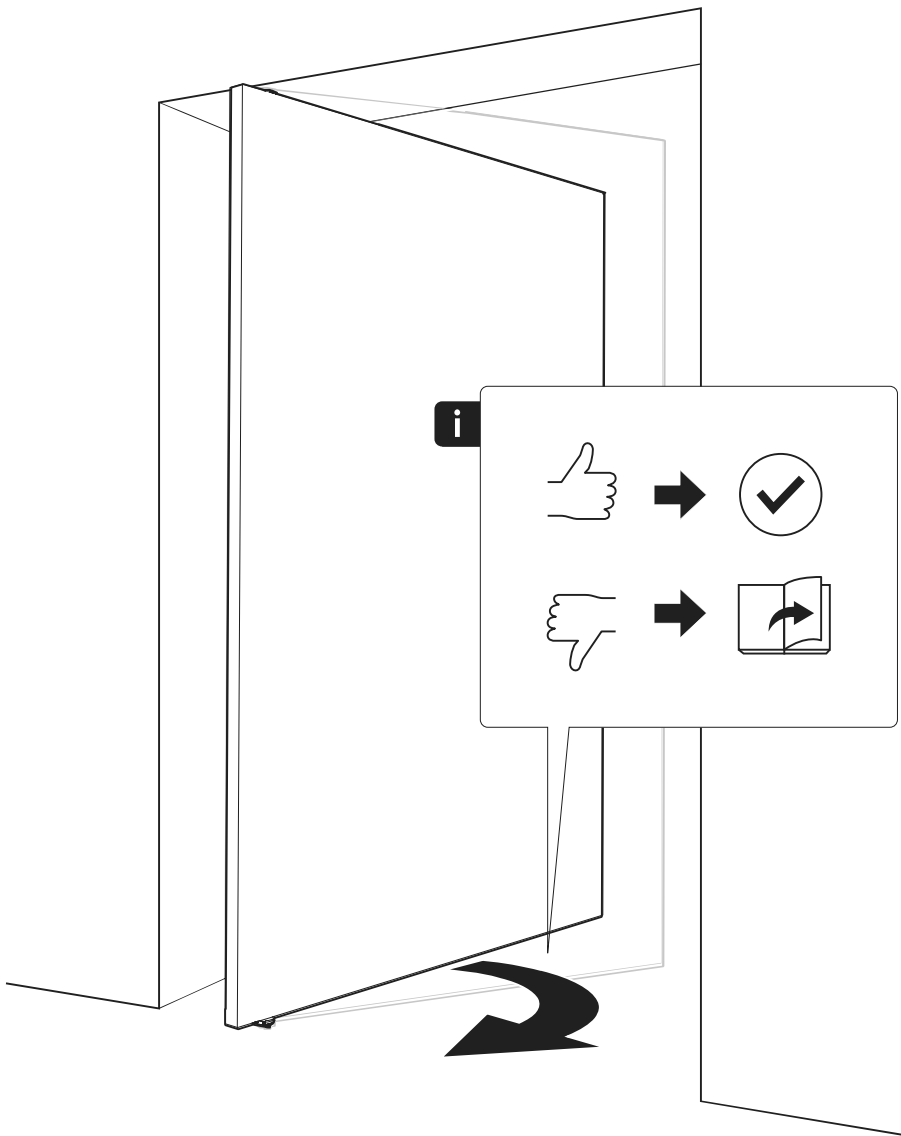






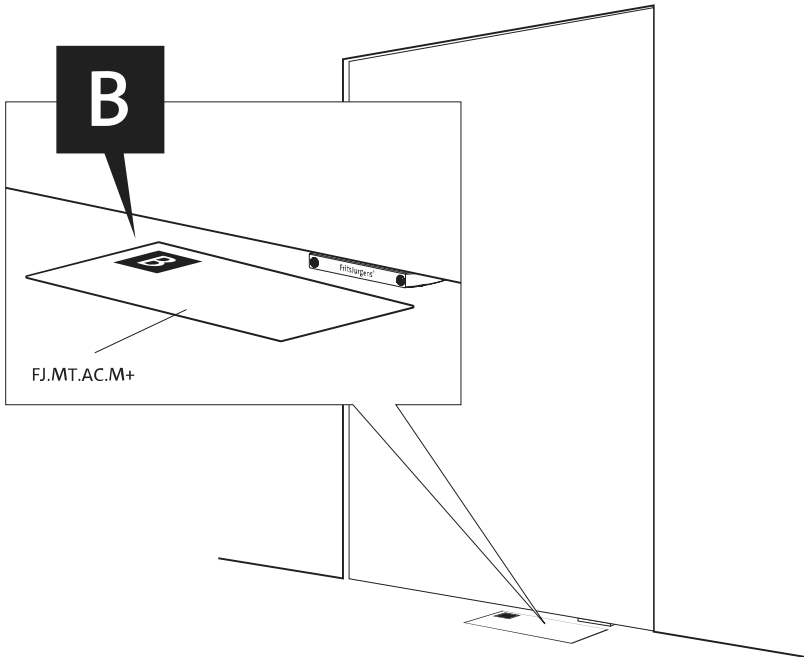
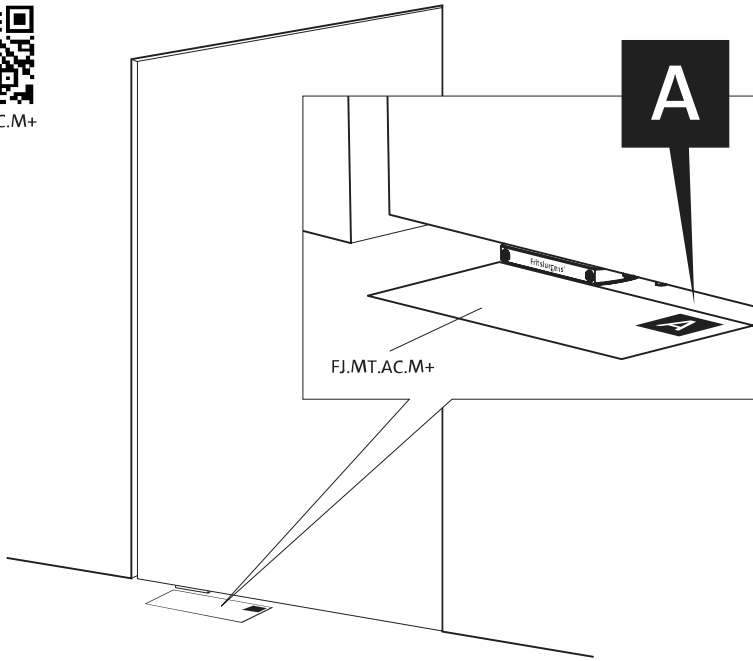


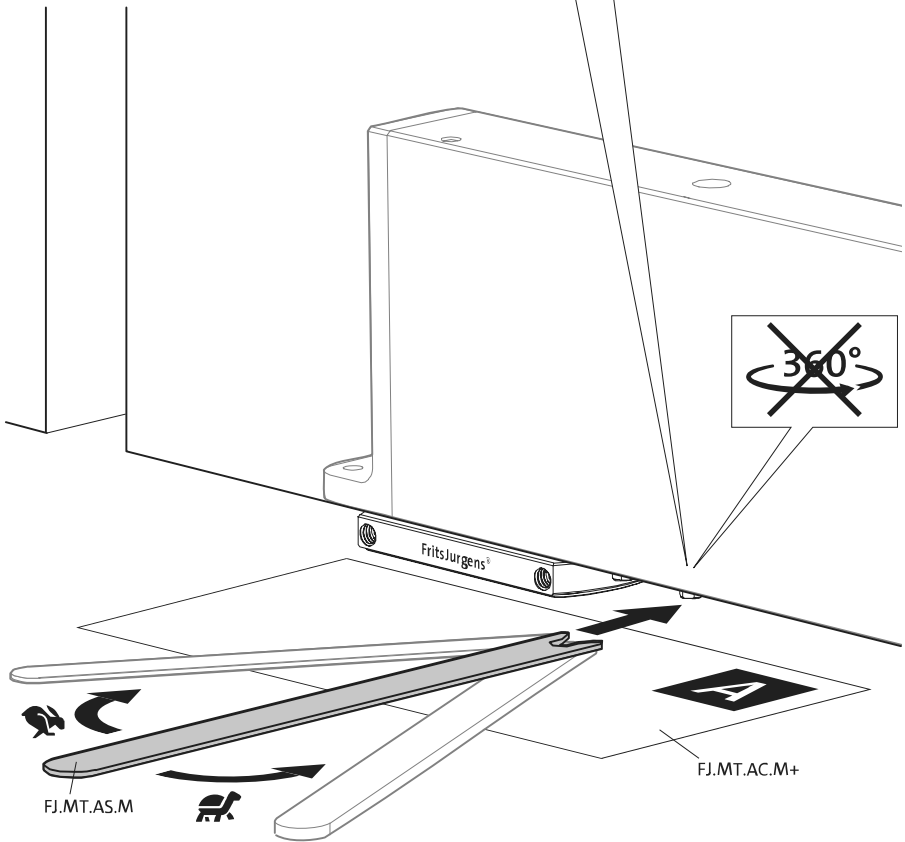
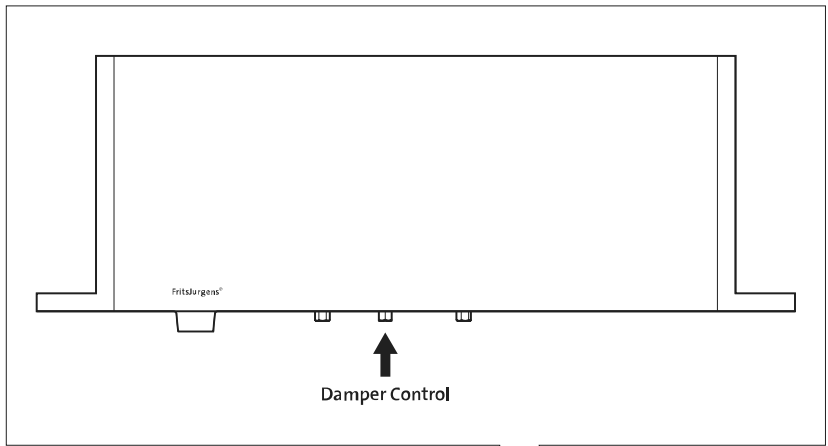


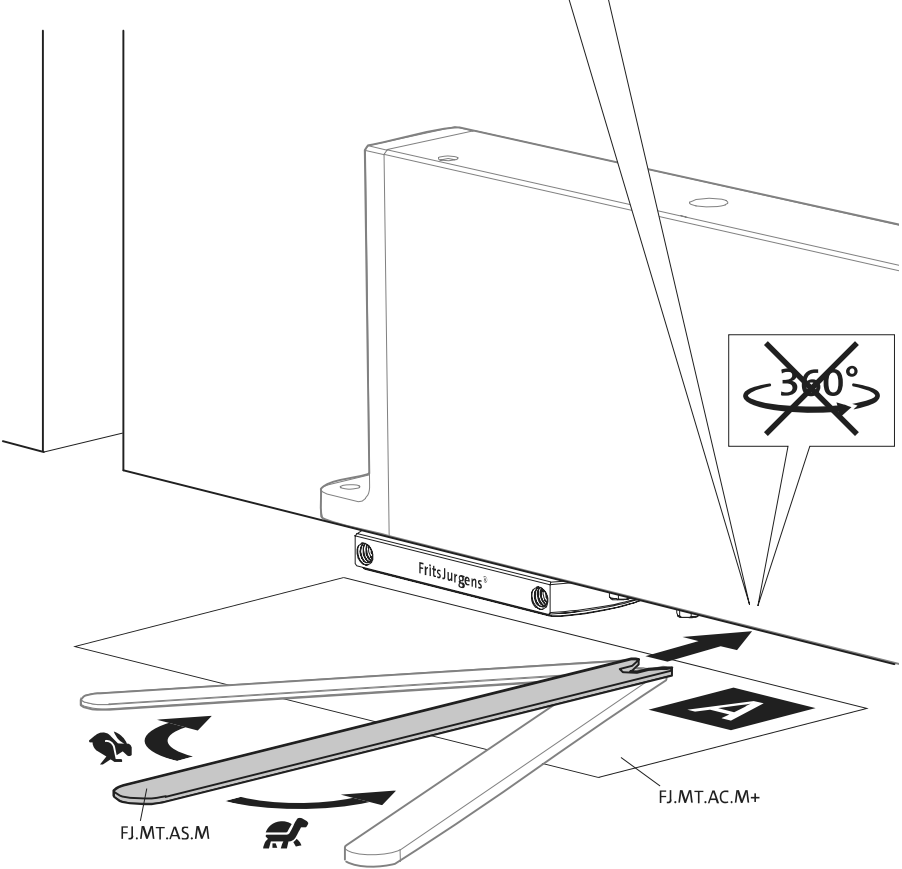
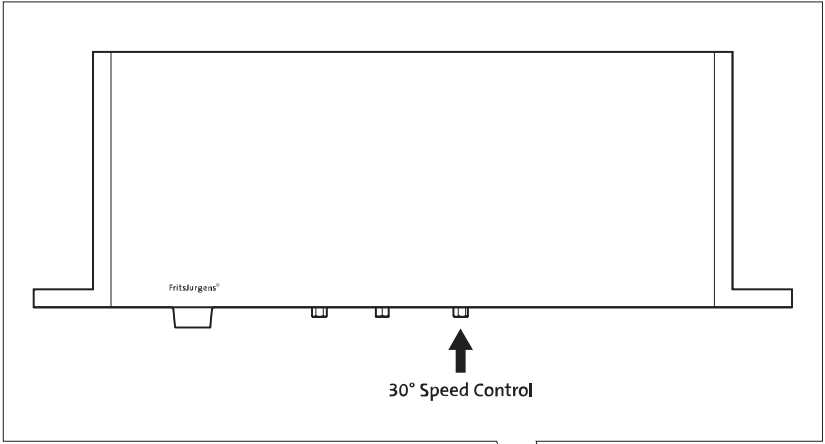


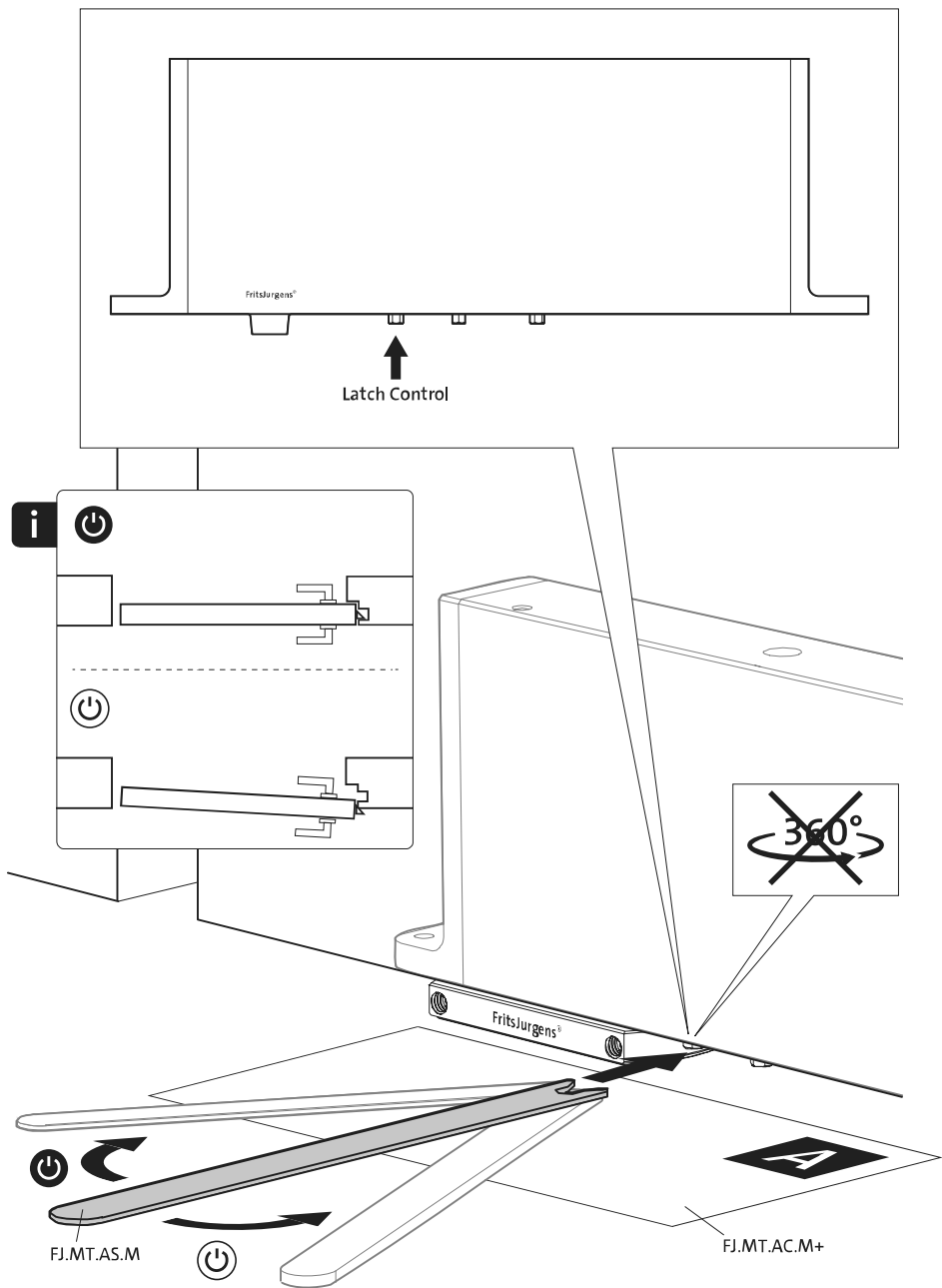


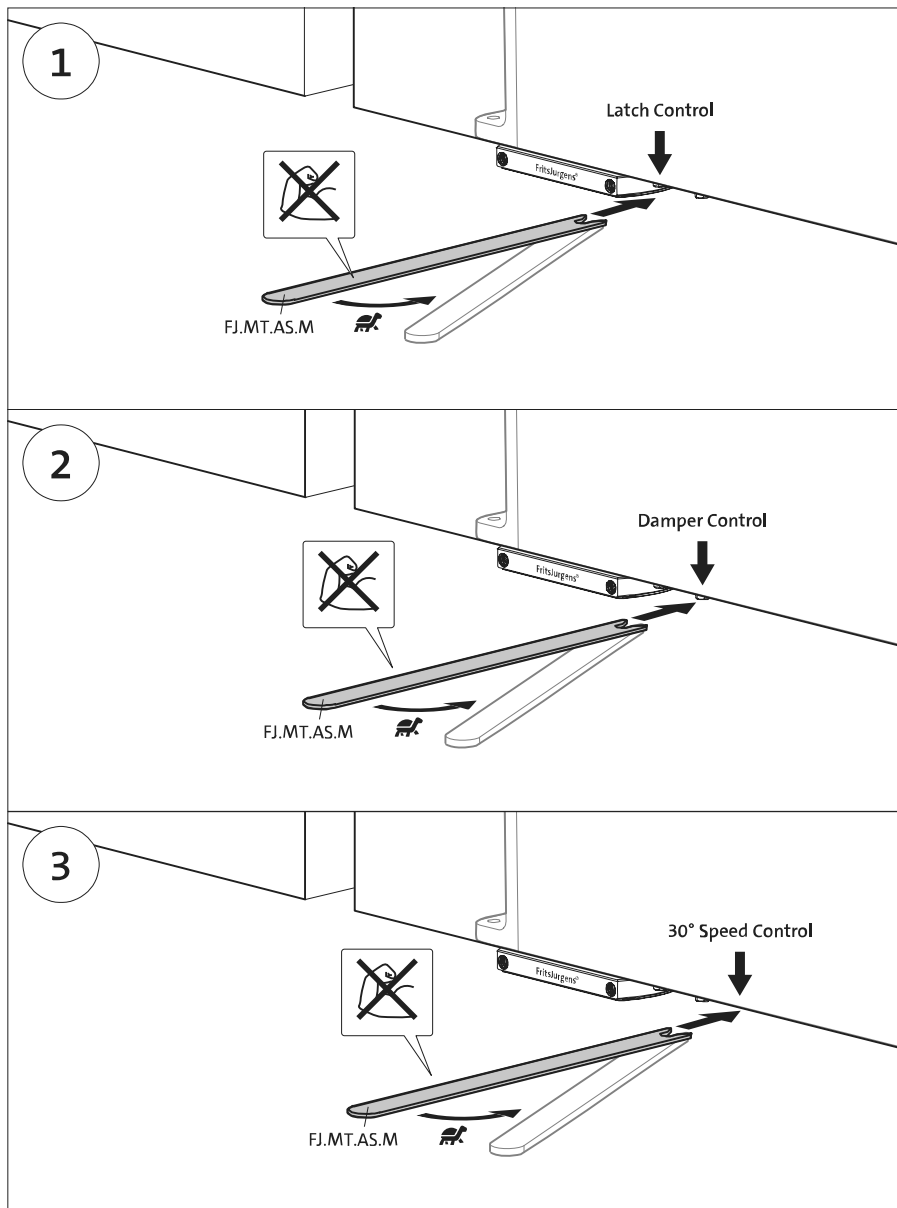
FJ.MT.AC.M+

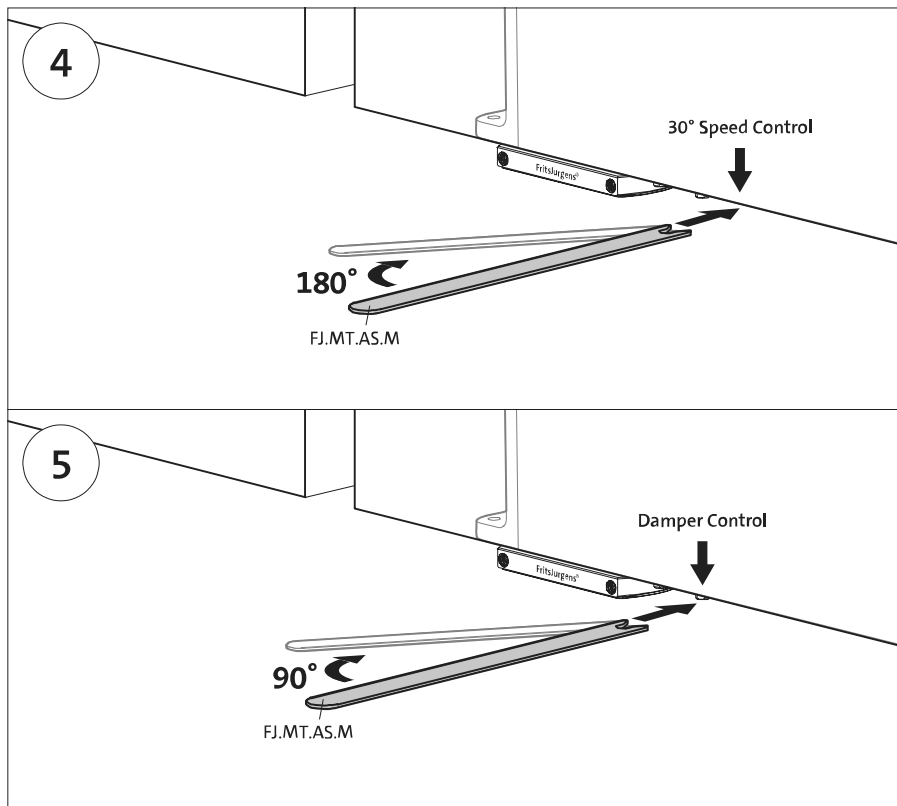




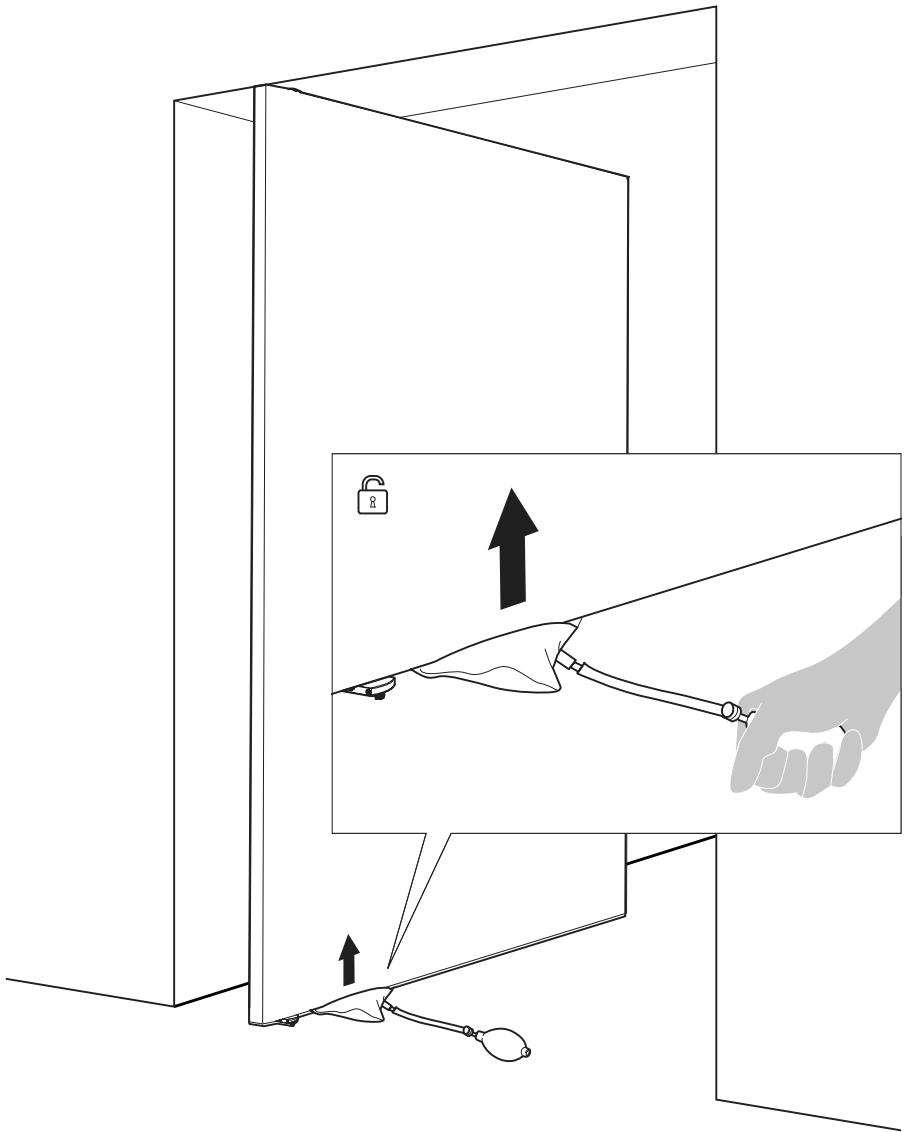


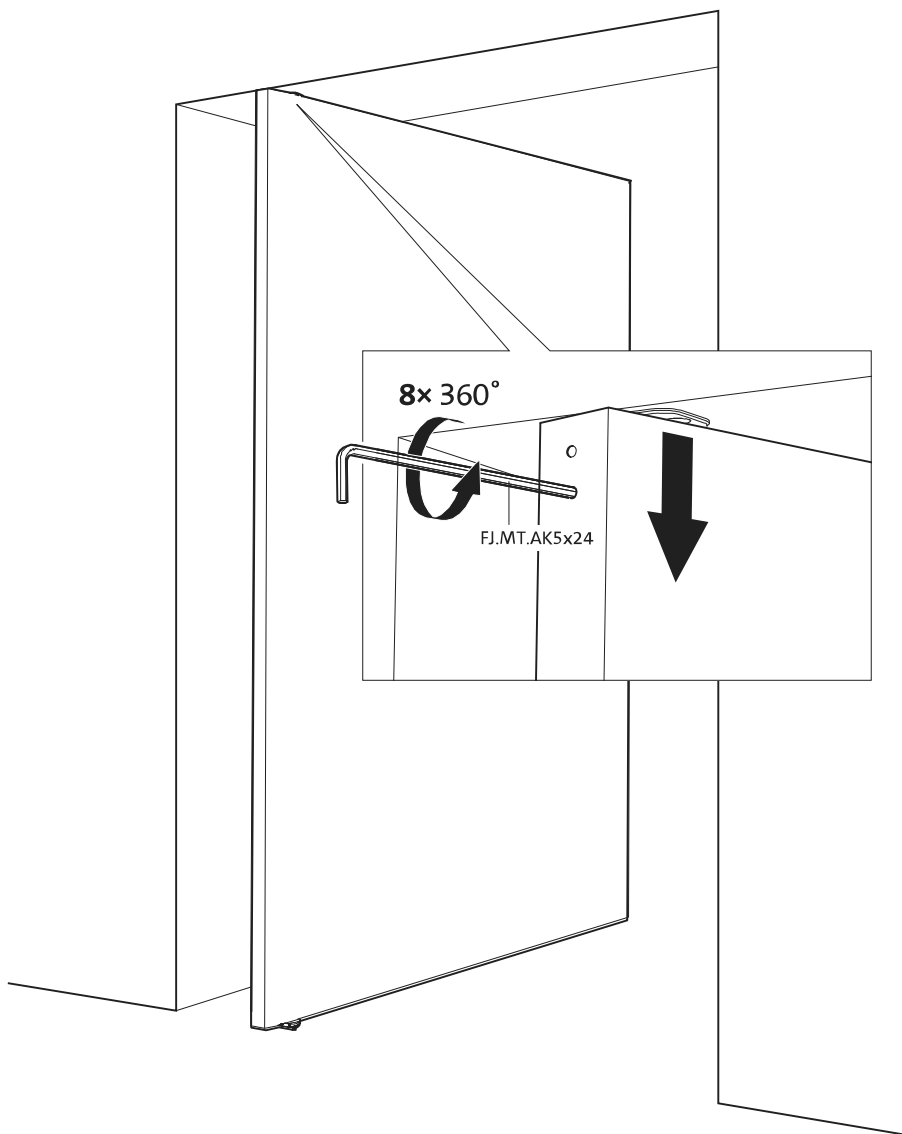


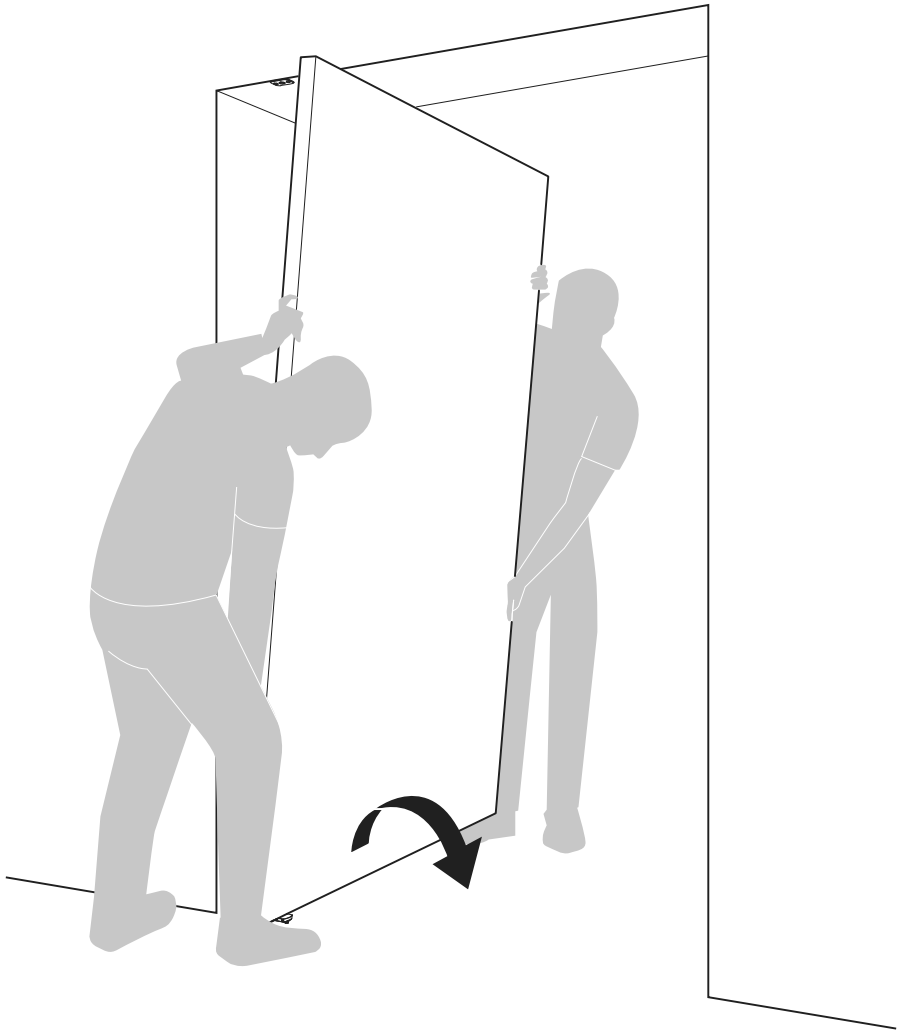




Disassembly instructions







FritsJurgens International

A. Einsteinlaan 1
The Netherlands
9615 TE Kolham
+31 598 343 410
info@fritsjurgens.com

FritsJurgens Dubai Branch

DLC-OP-A2-4-0029
Dubai South
Dubai
United Arab Emirates
+971 4 820 8106
+971 58 137 2611
dubai@fritsjurgens.com
fritsjurgens.com

Copyright © FritsJurgens®
BPM+.70.C.X.XX



