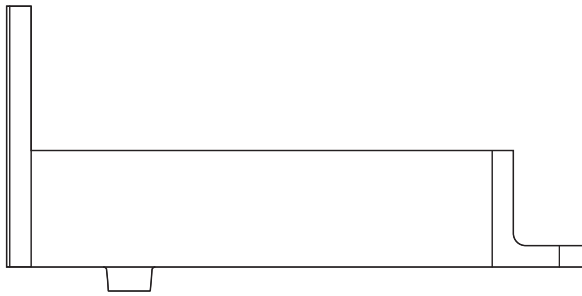


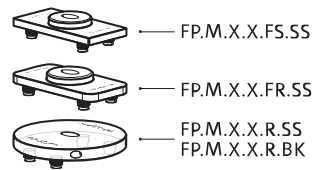
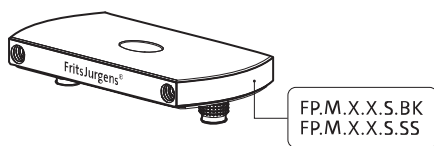
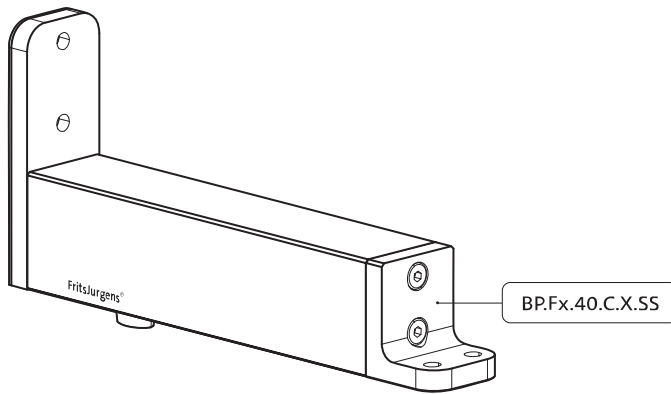
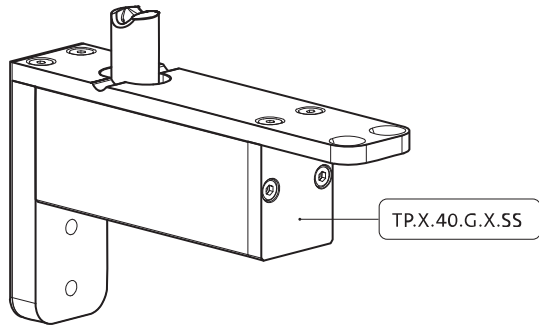
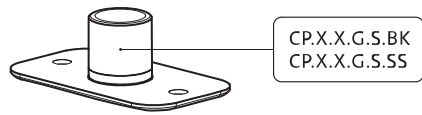
System Fx

Milling and mounting manual

FritsJurgens Set - 40 mm Class C - stainless steel

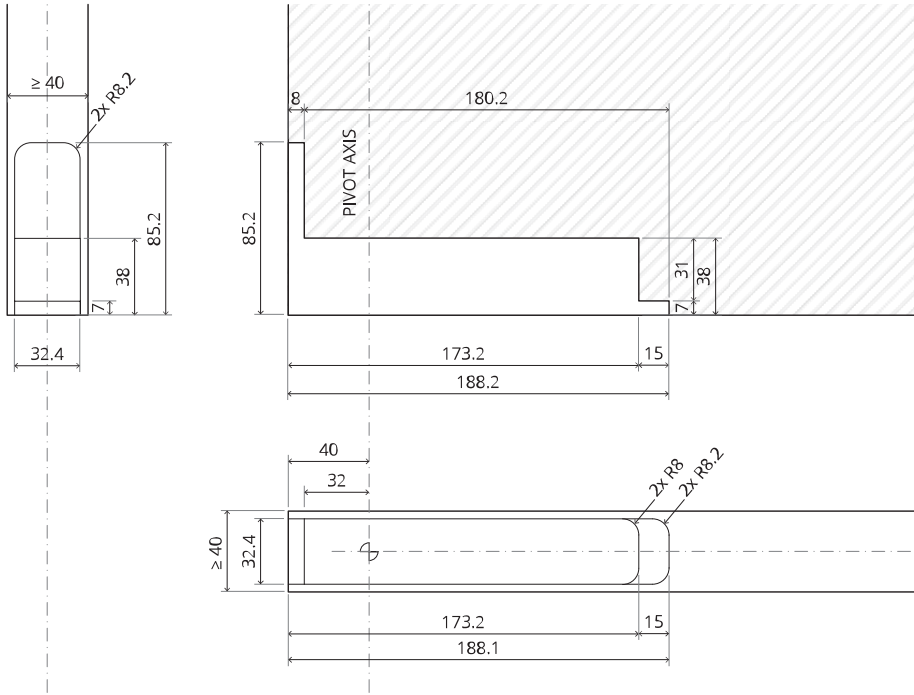


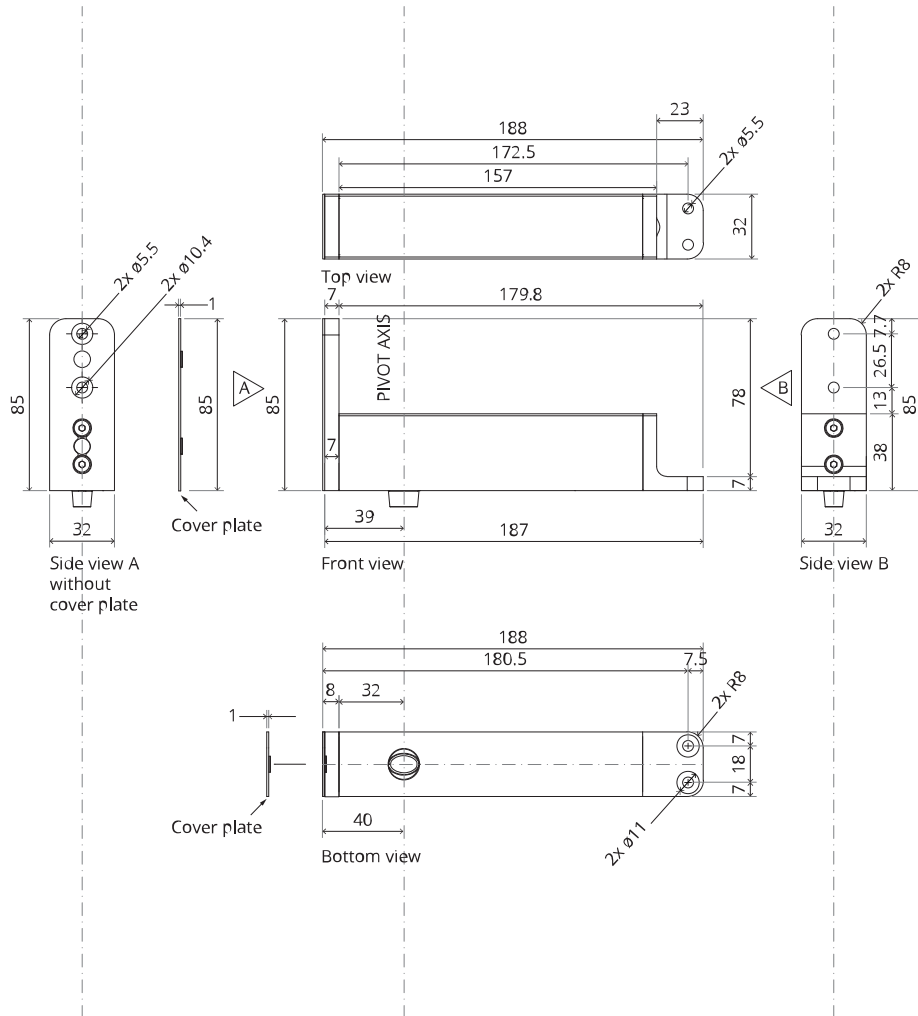
FritsJurgens®



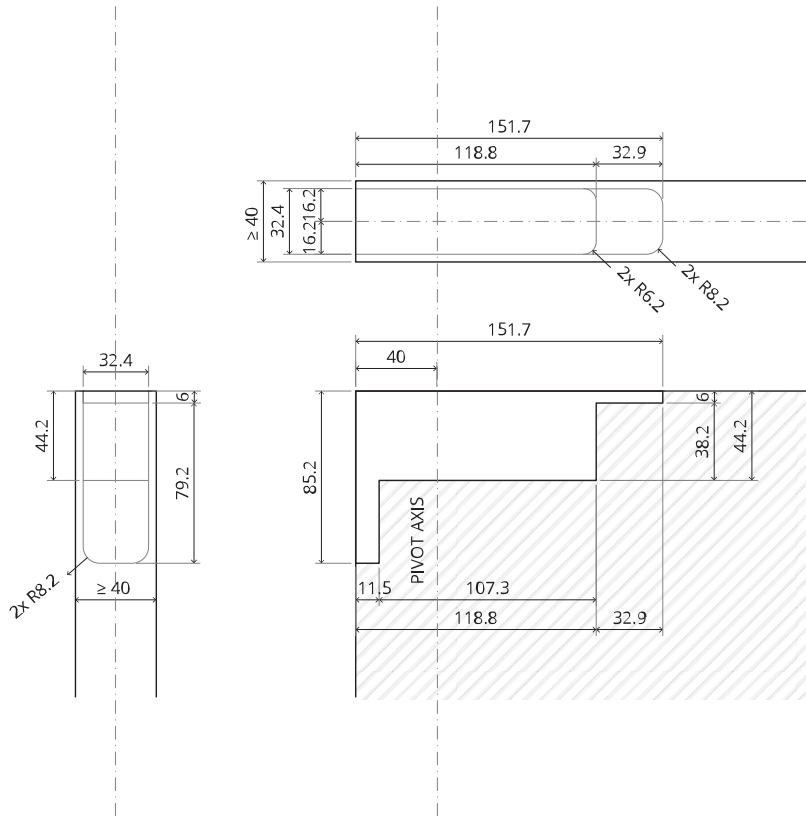
Milling instructions

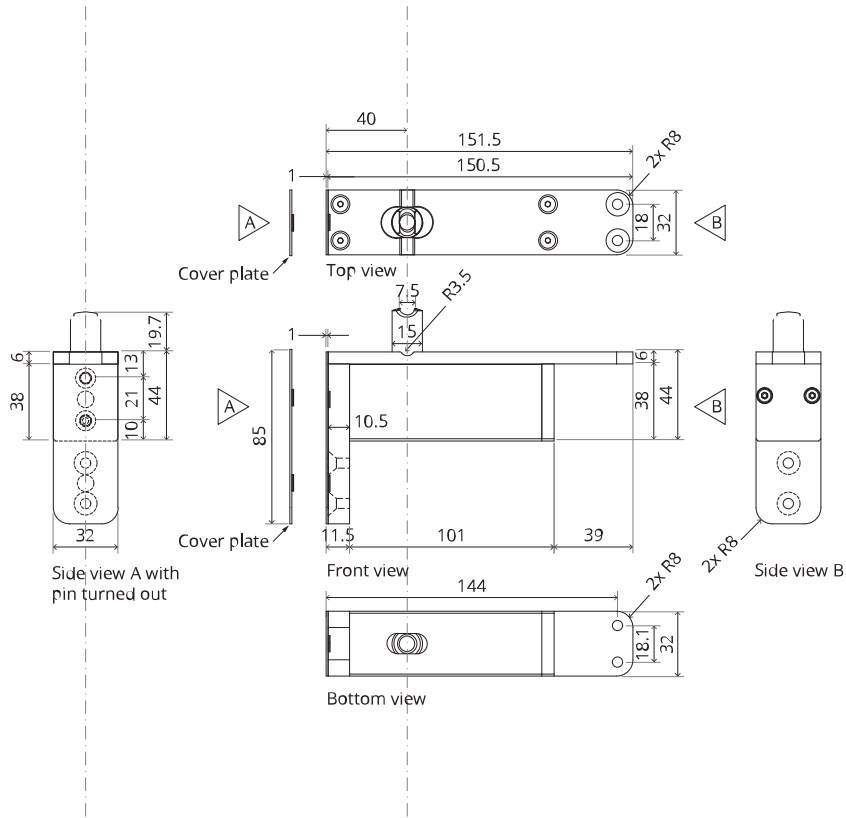
BP.Fx.40.C.X.SS



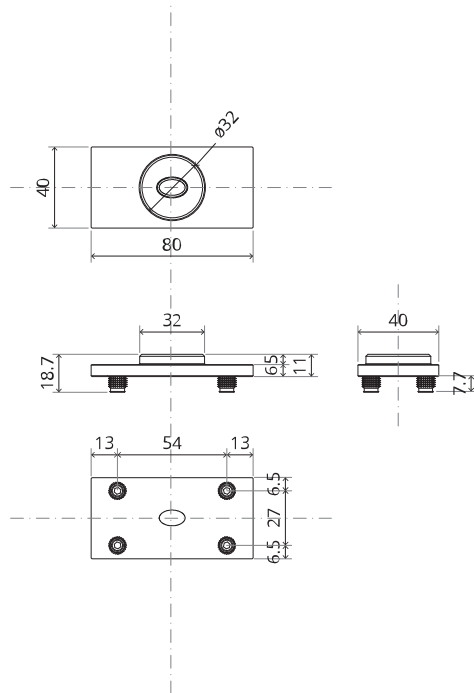
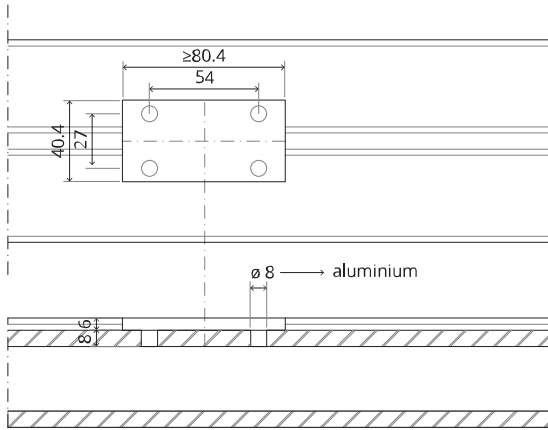


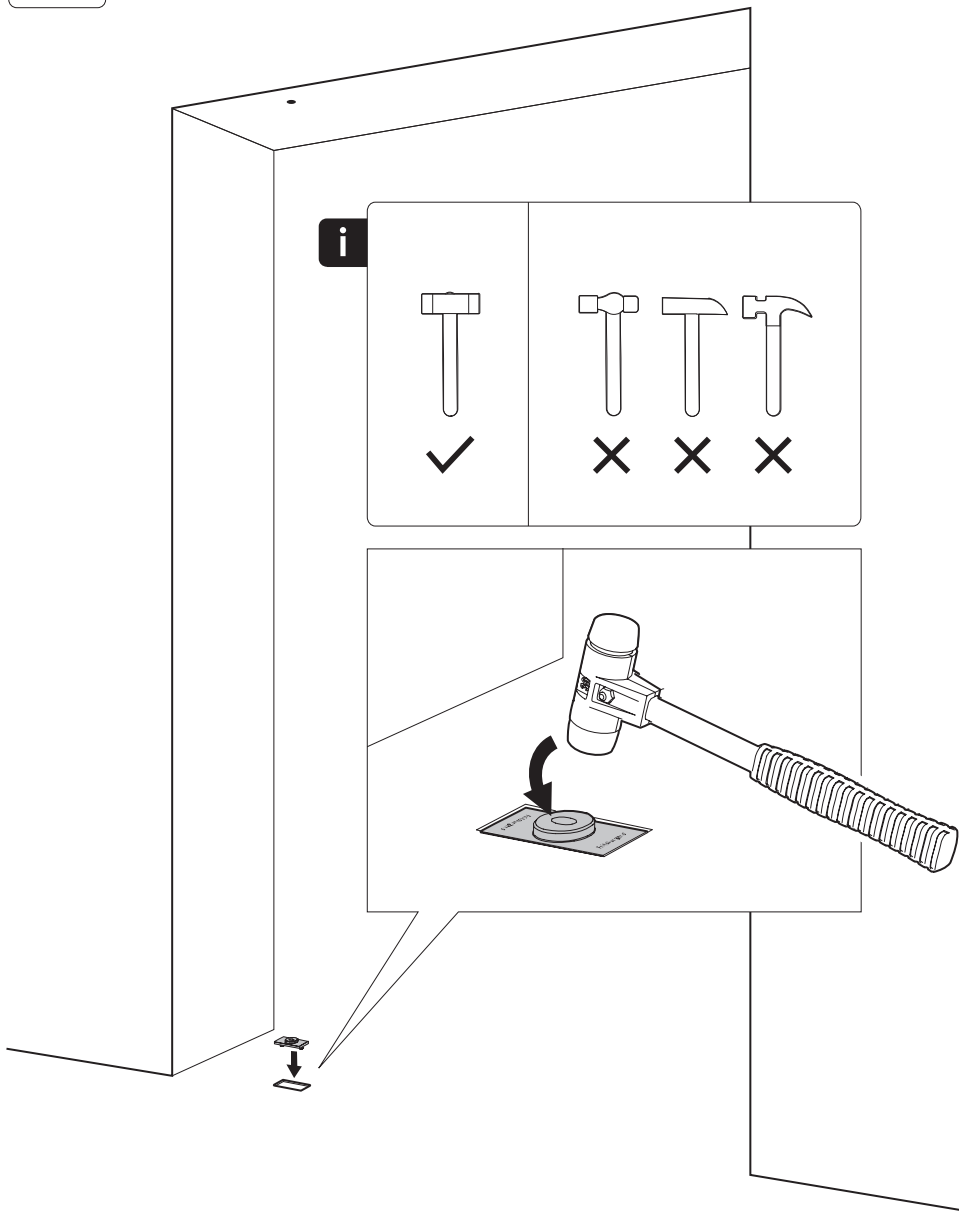
TP.X.40.G.X.SS



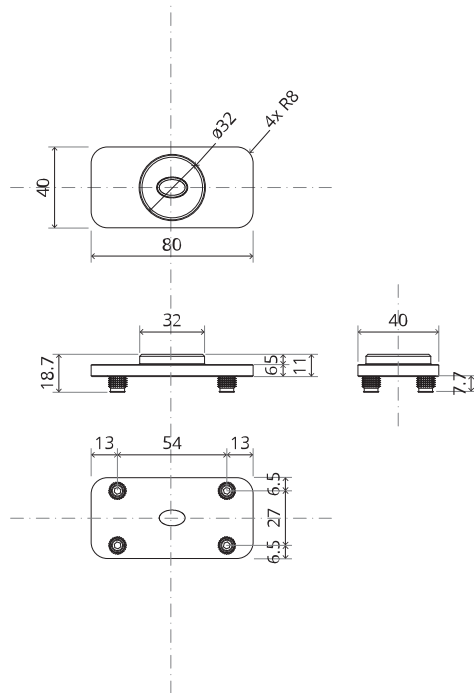
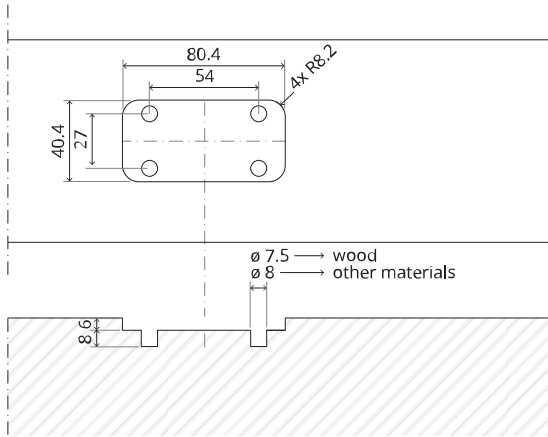


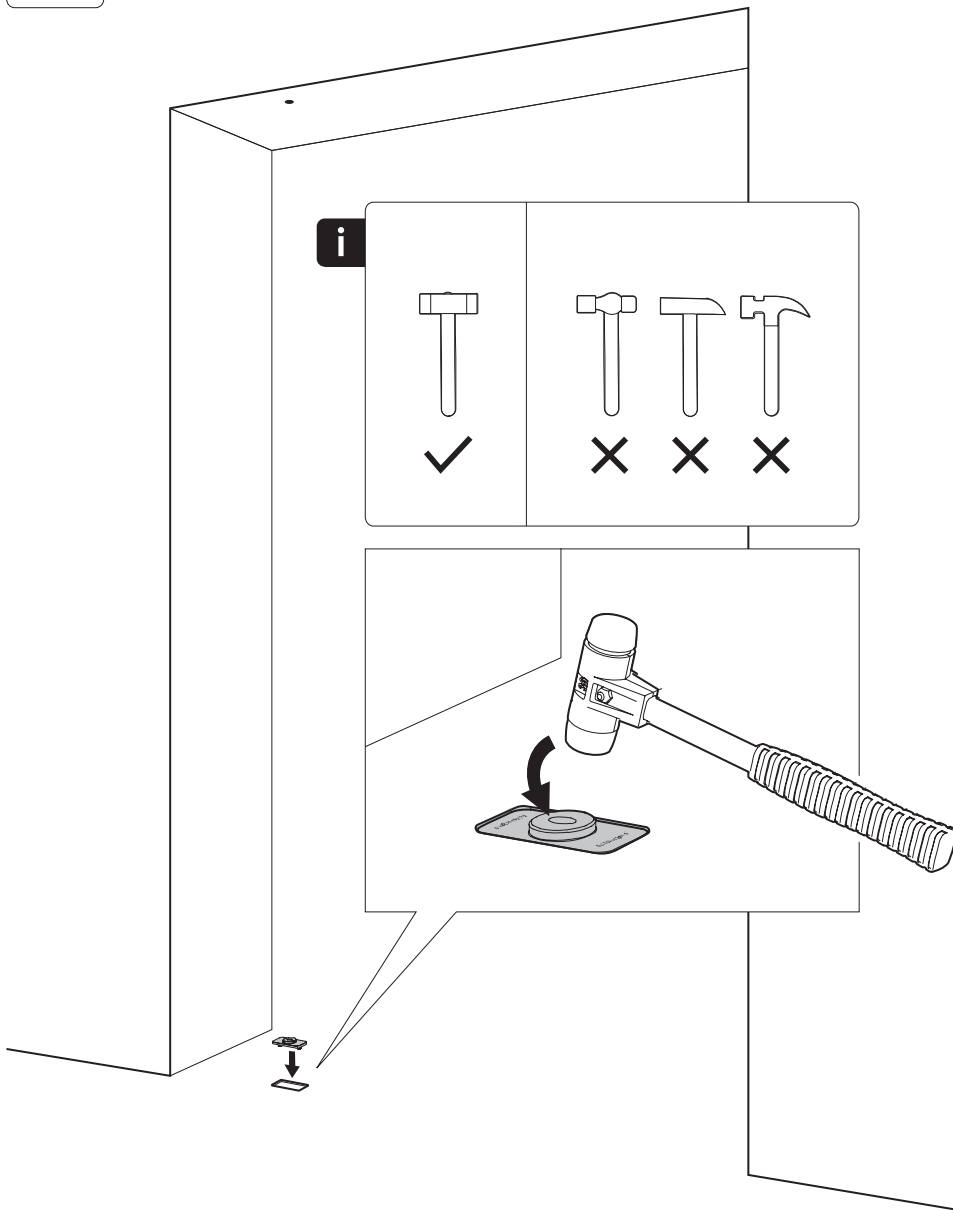
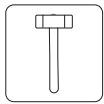
FP.M.X.X.FS.SS



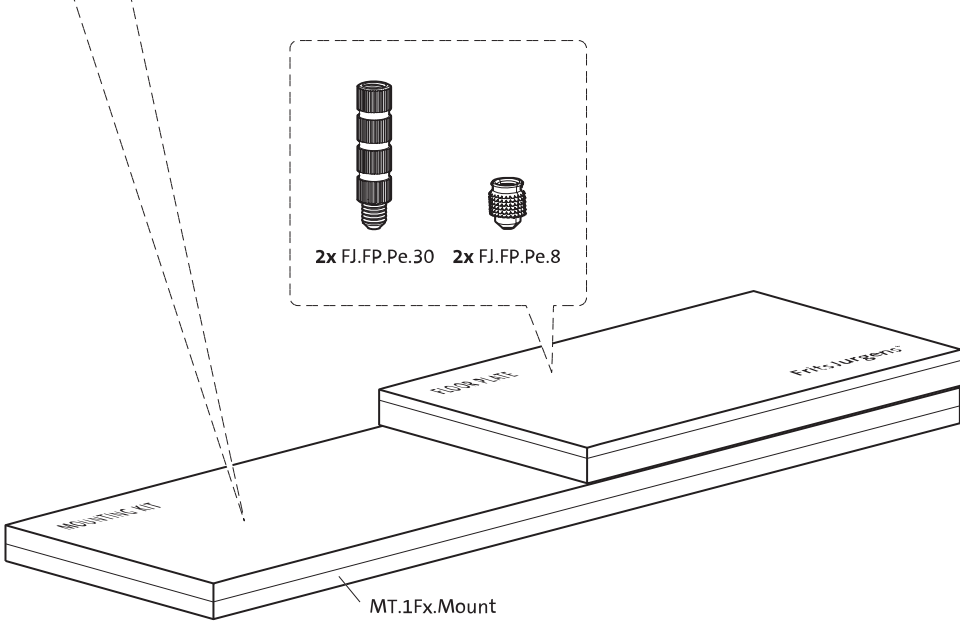
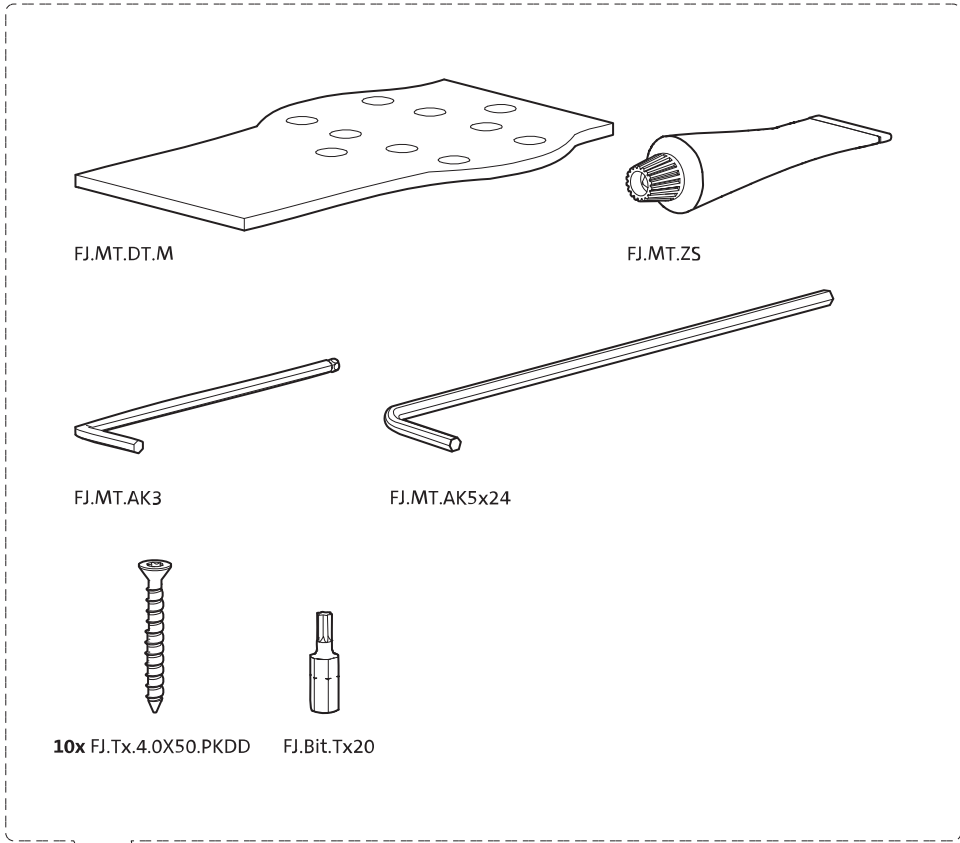


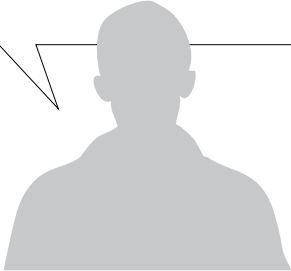
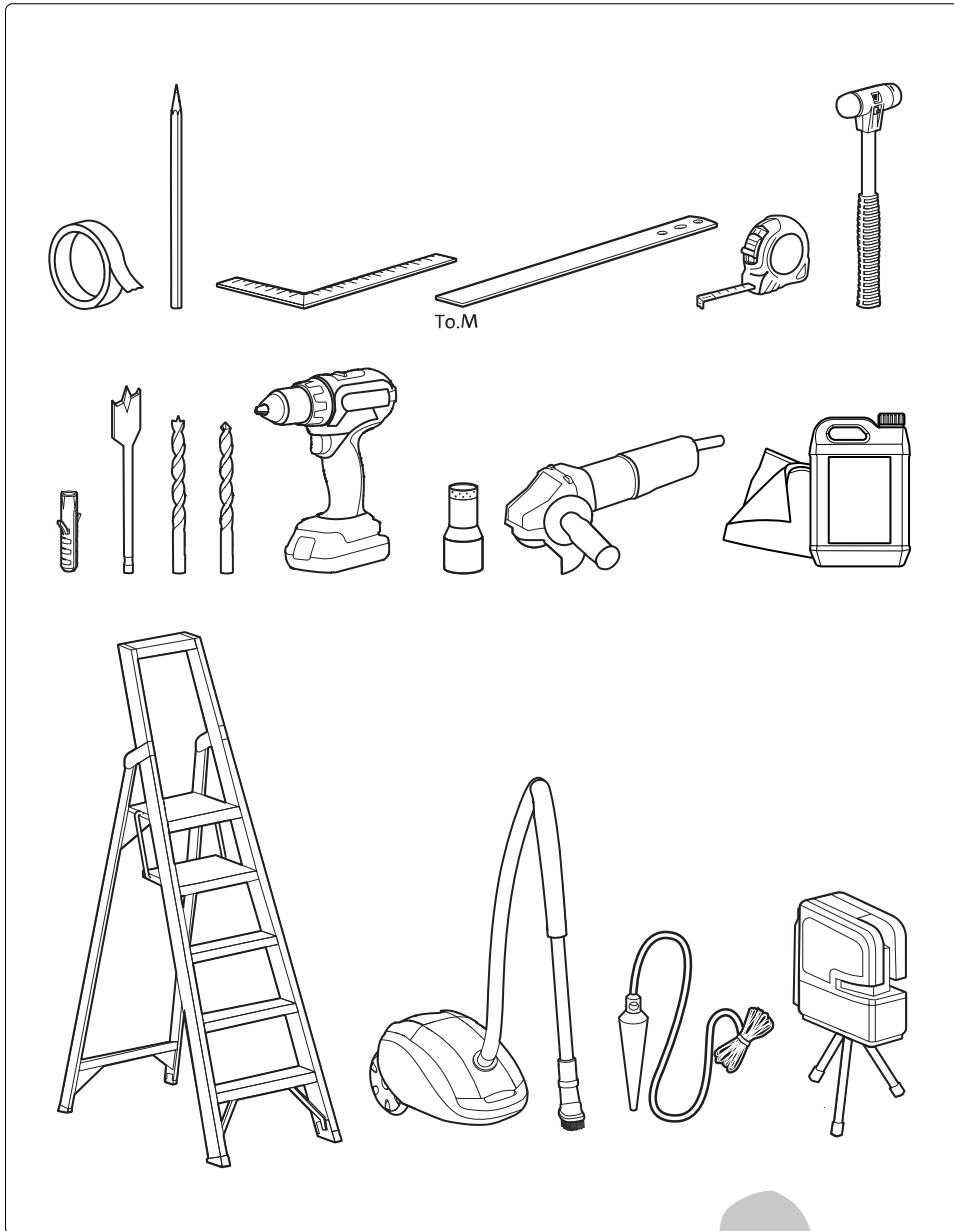
FP.M.X.X.FR.SS

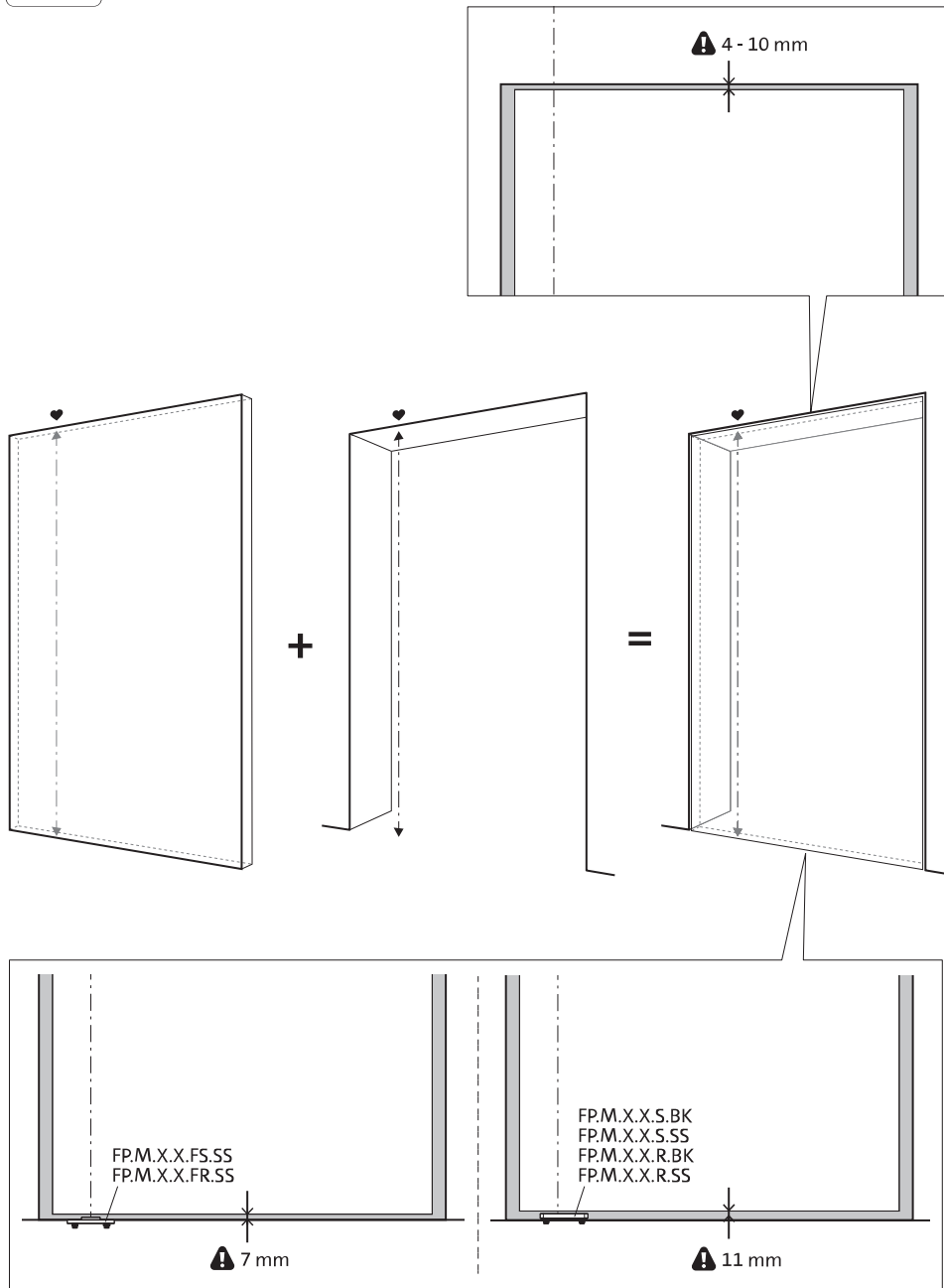


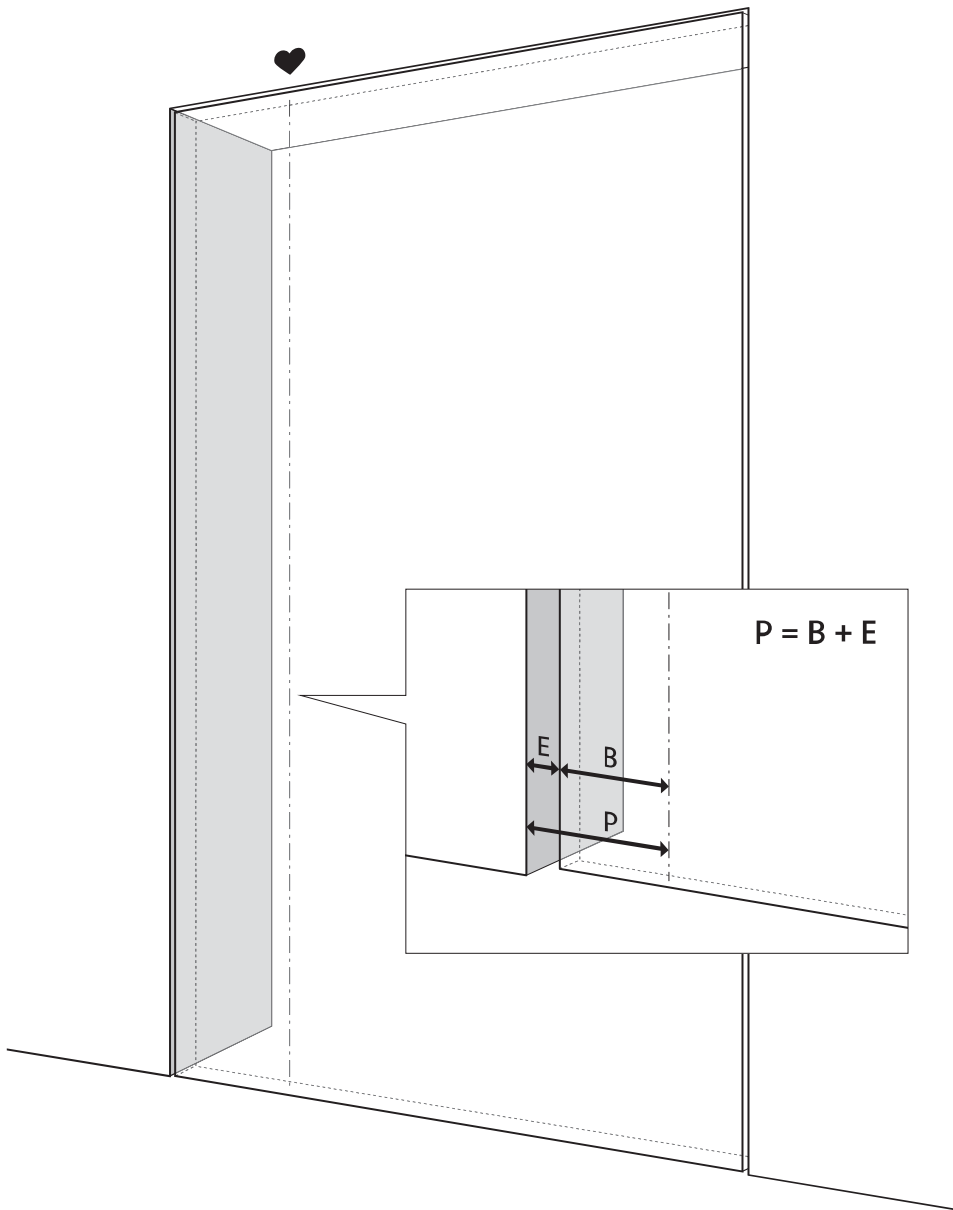


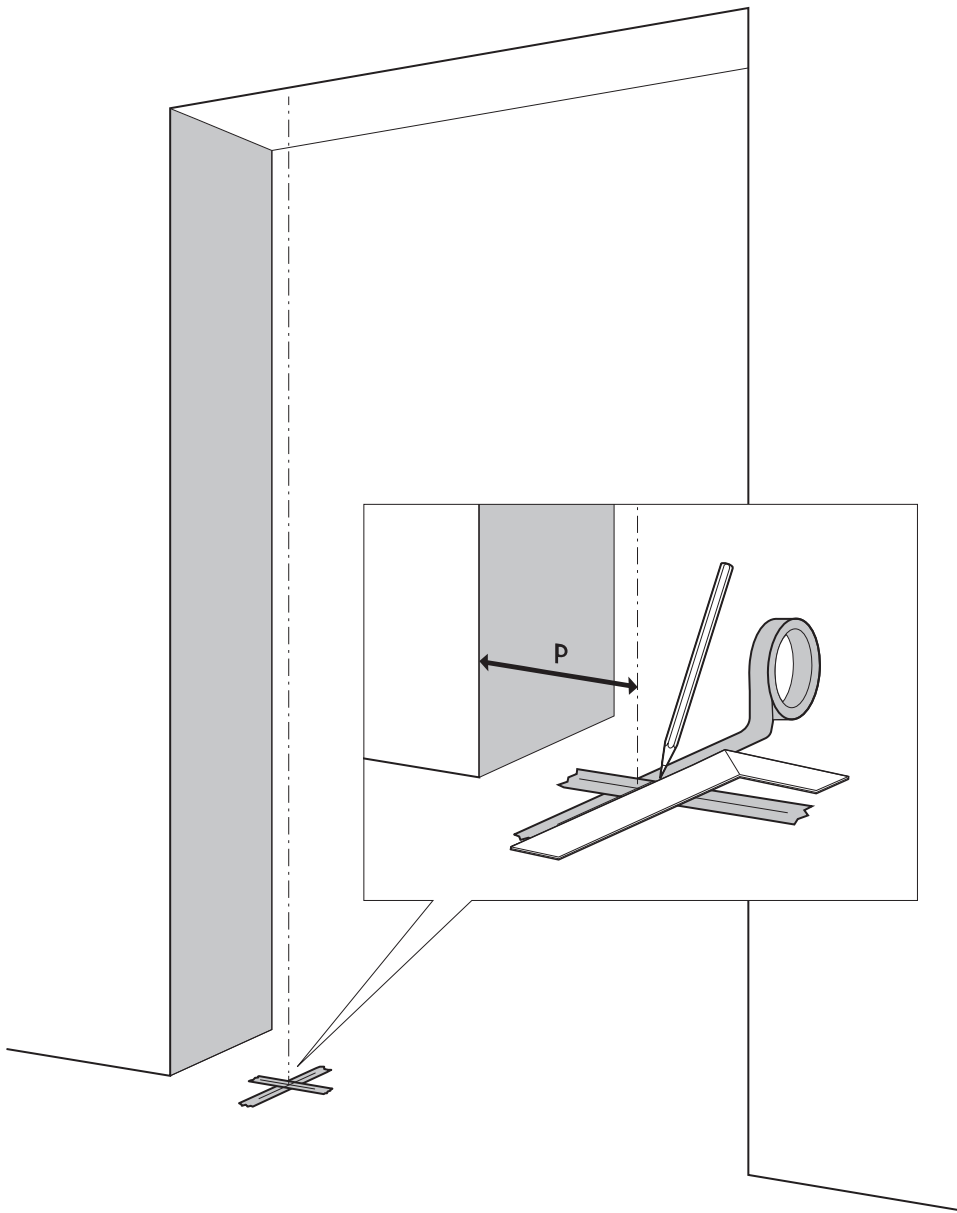
Mounting instructions

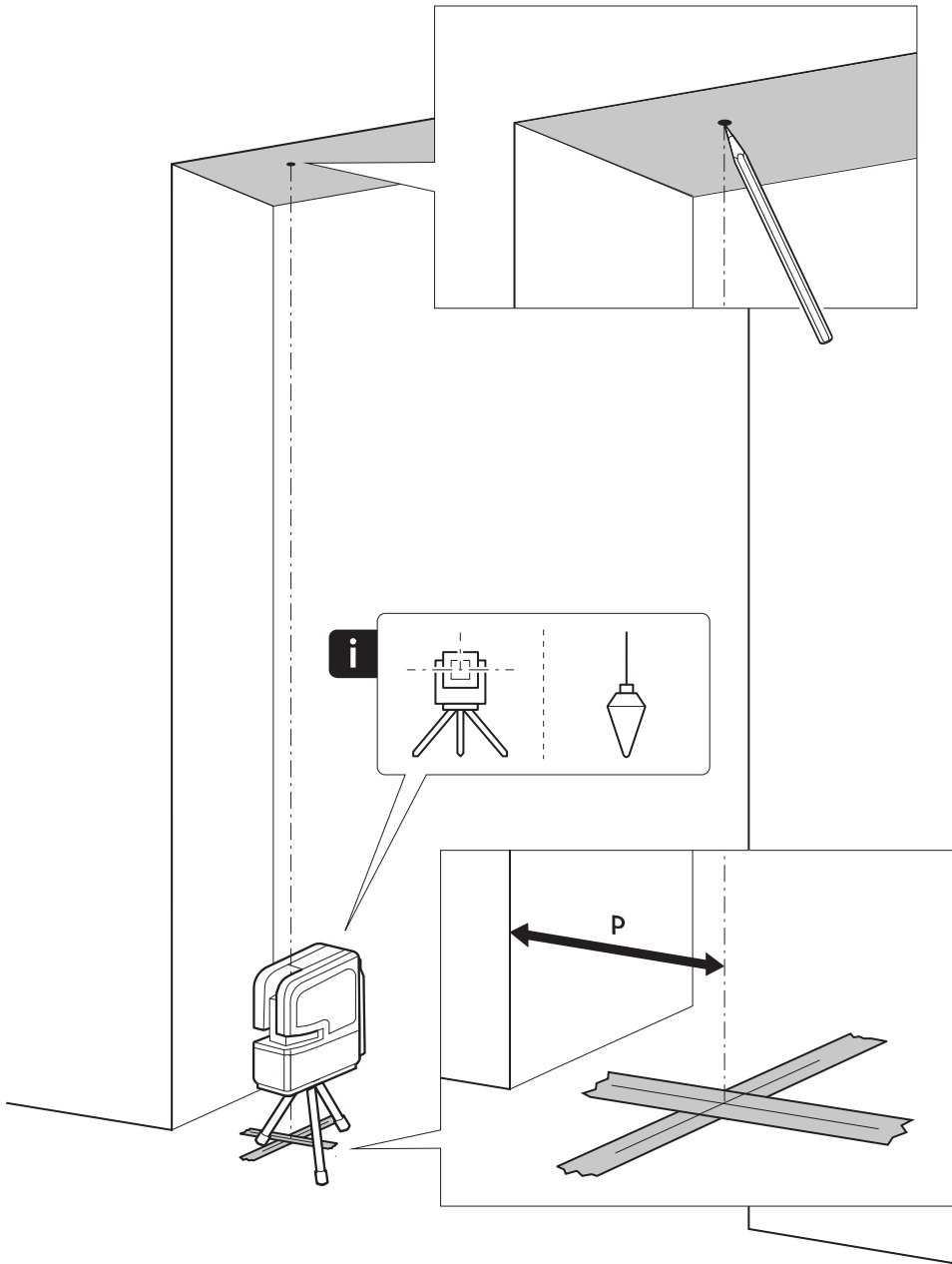
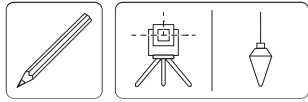


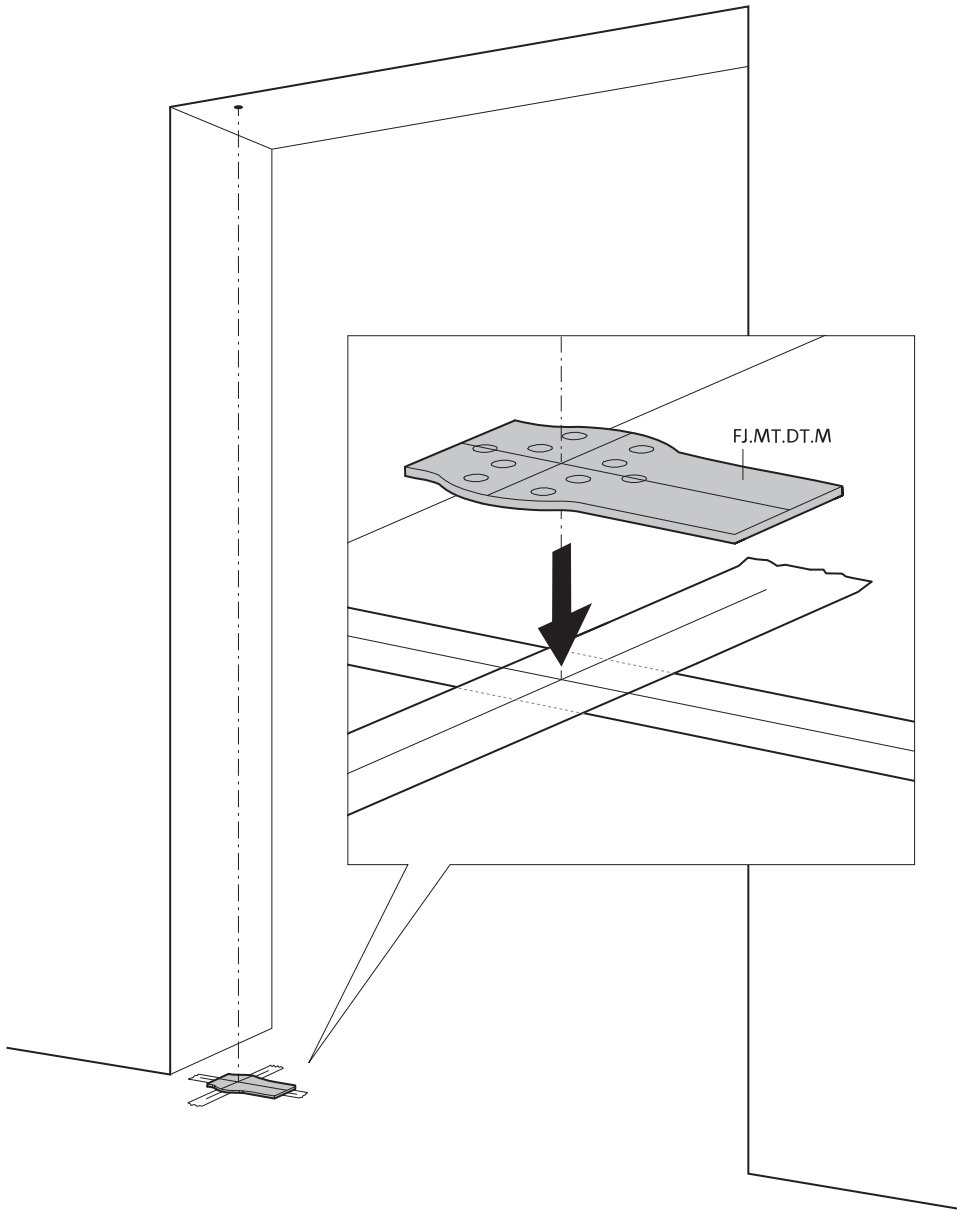


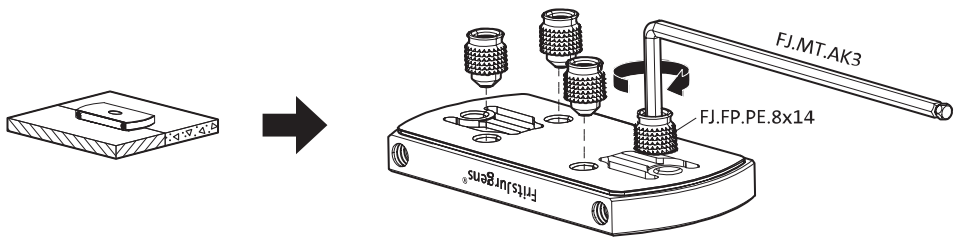
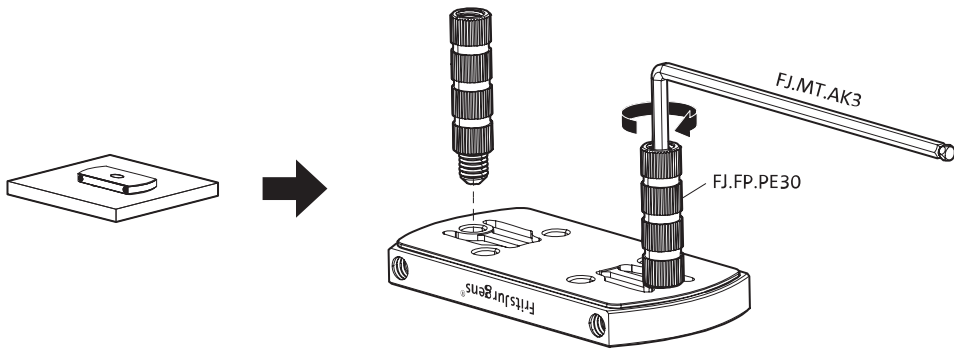
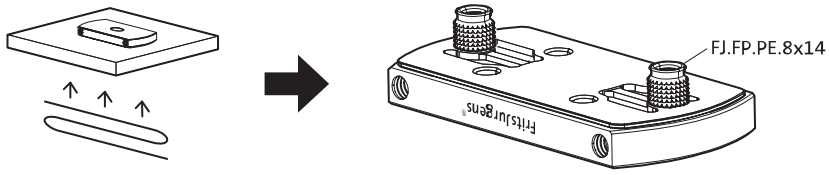






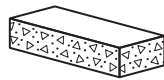




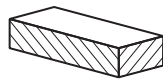




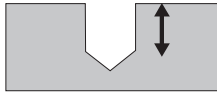
ø8 mm (5/16")



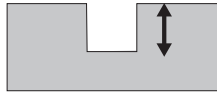
ø8 mm (5/16")



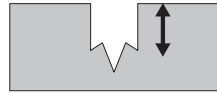
ø7.5 mm (19/64")



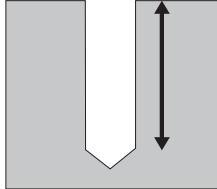
8 mm (5/16")



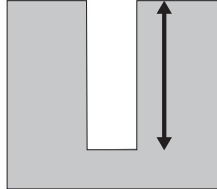
8 mm (5/16")



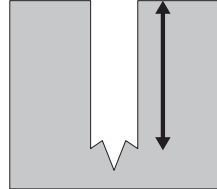
8 mm (5/16")



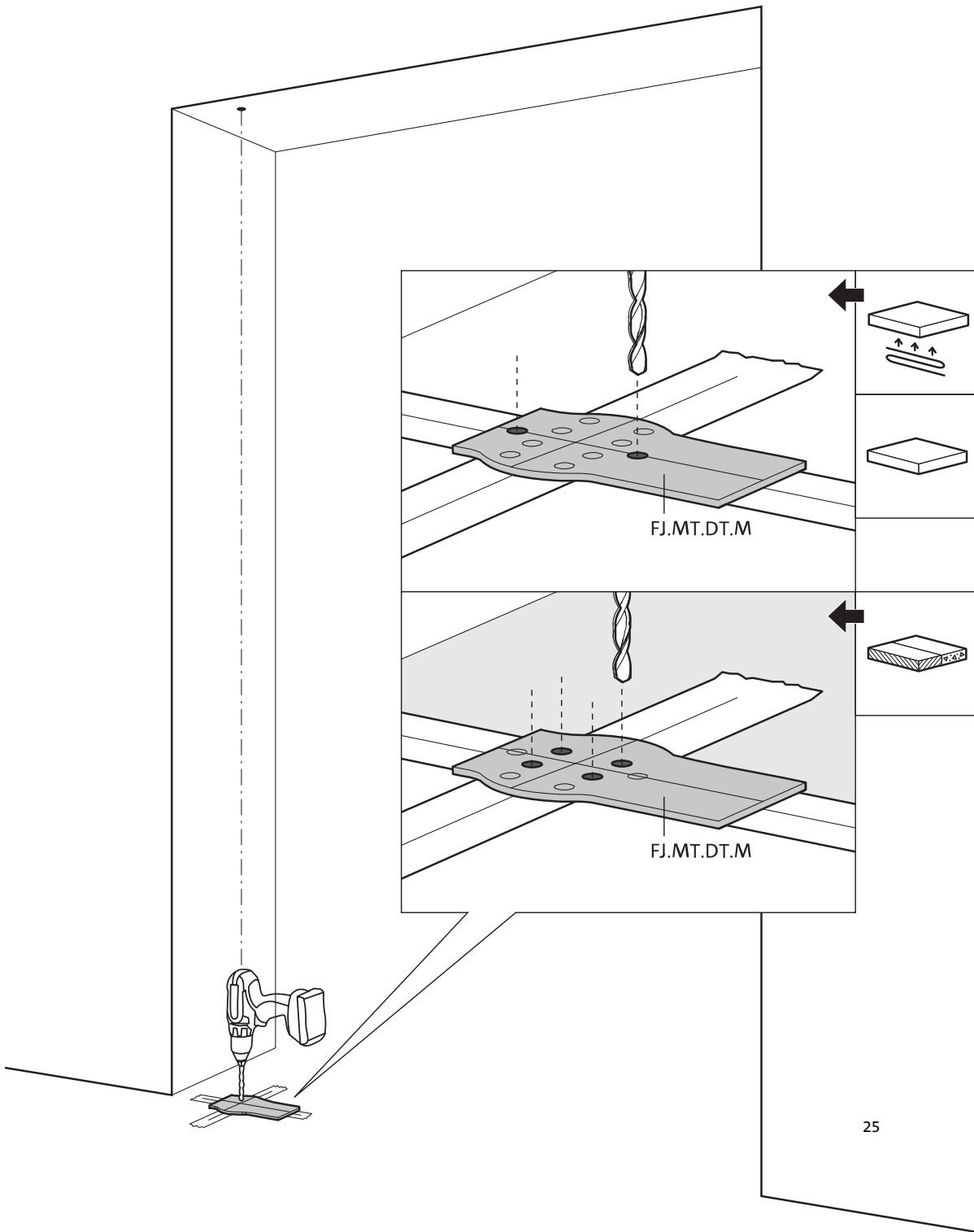
30 mm (13/16")

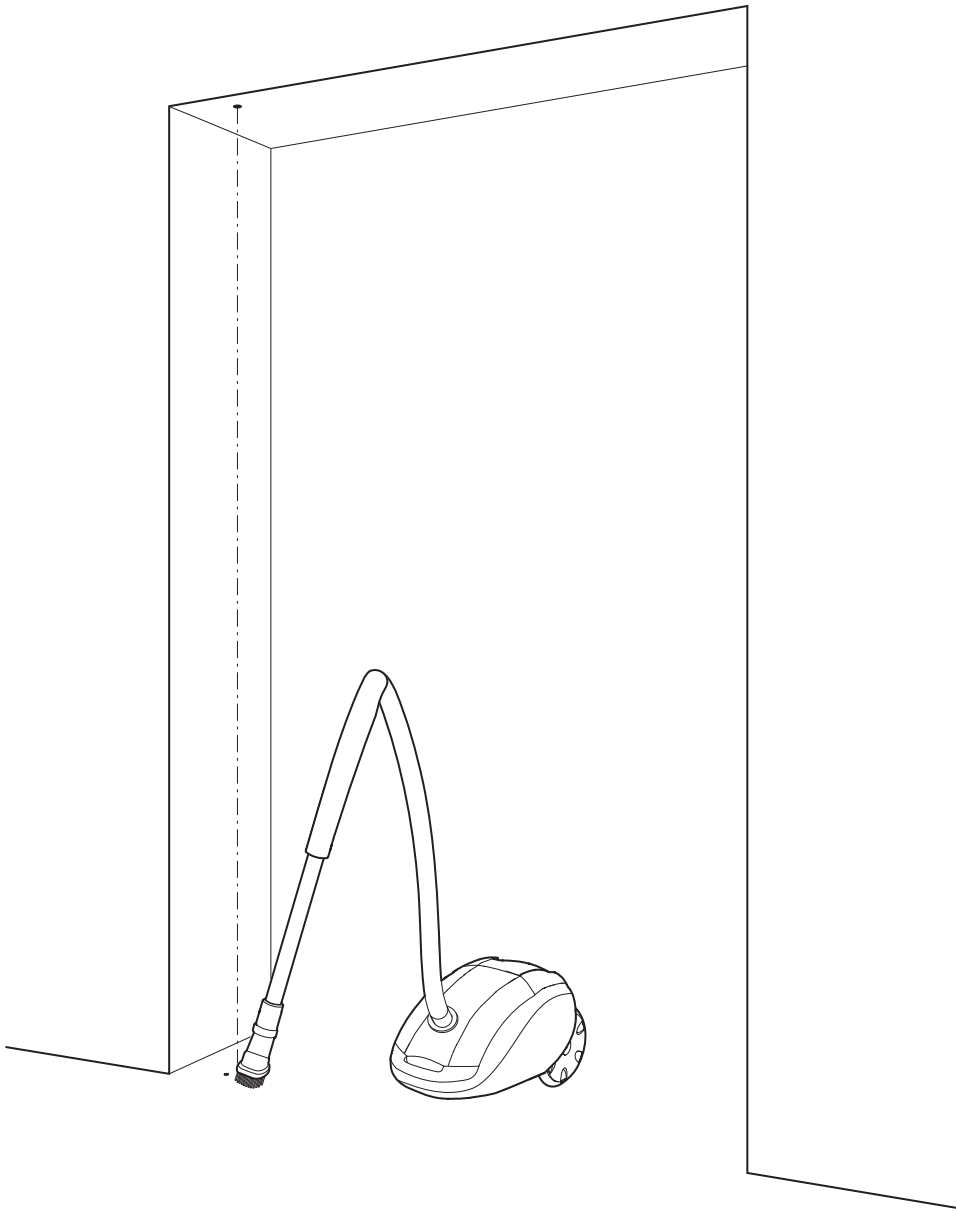


30 mm (13/16")



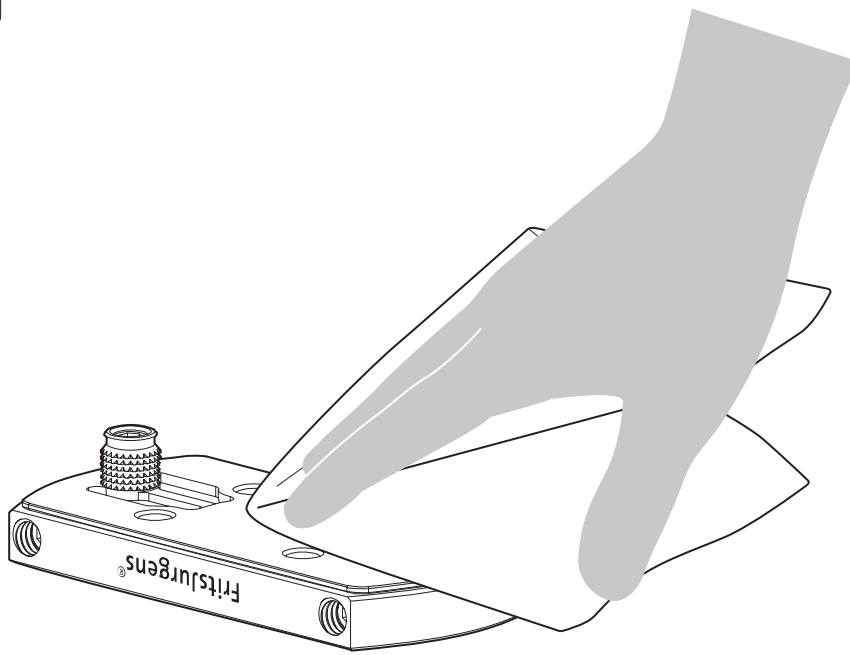
30 mm (13/16")



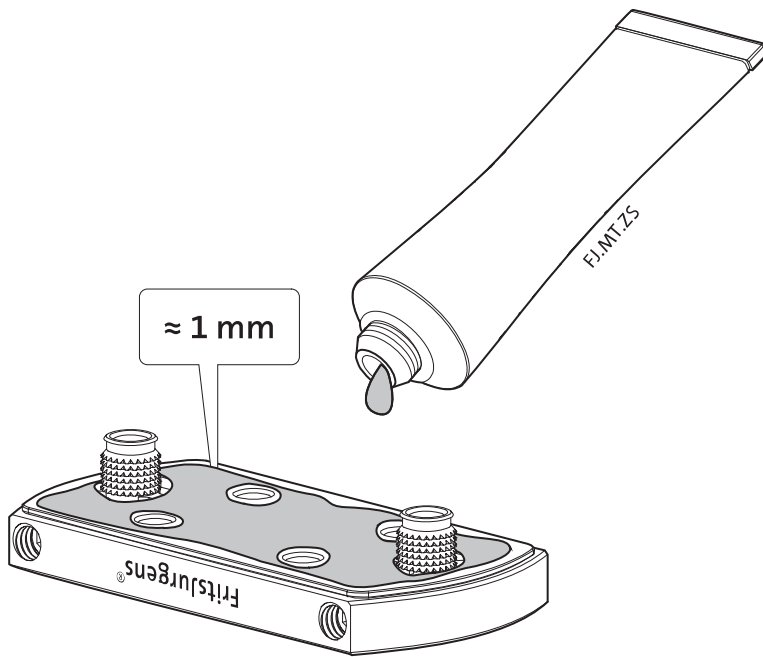


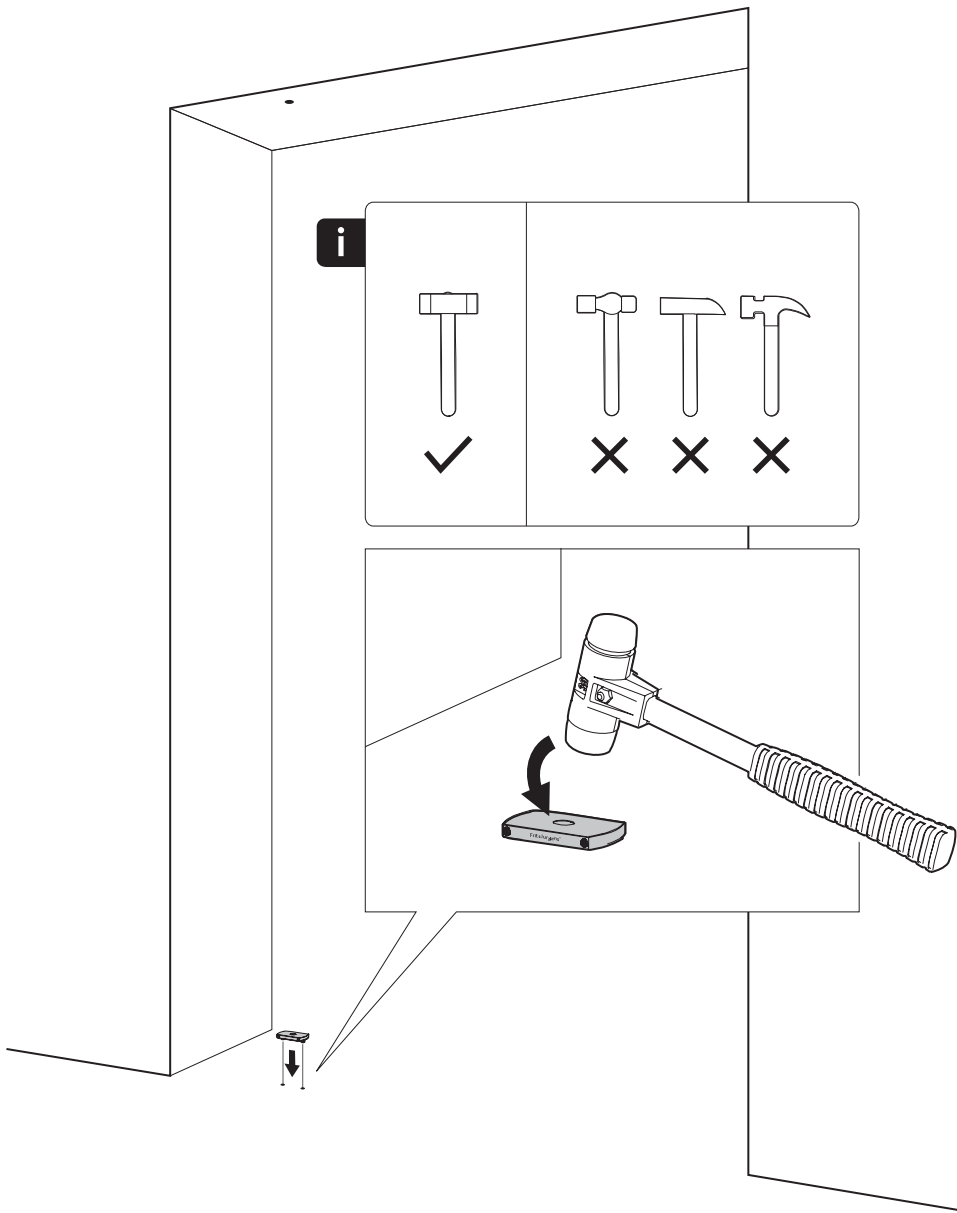


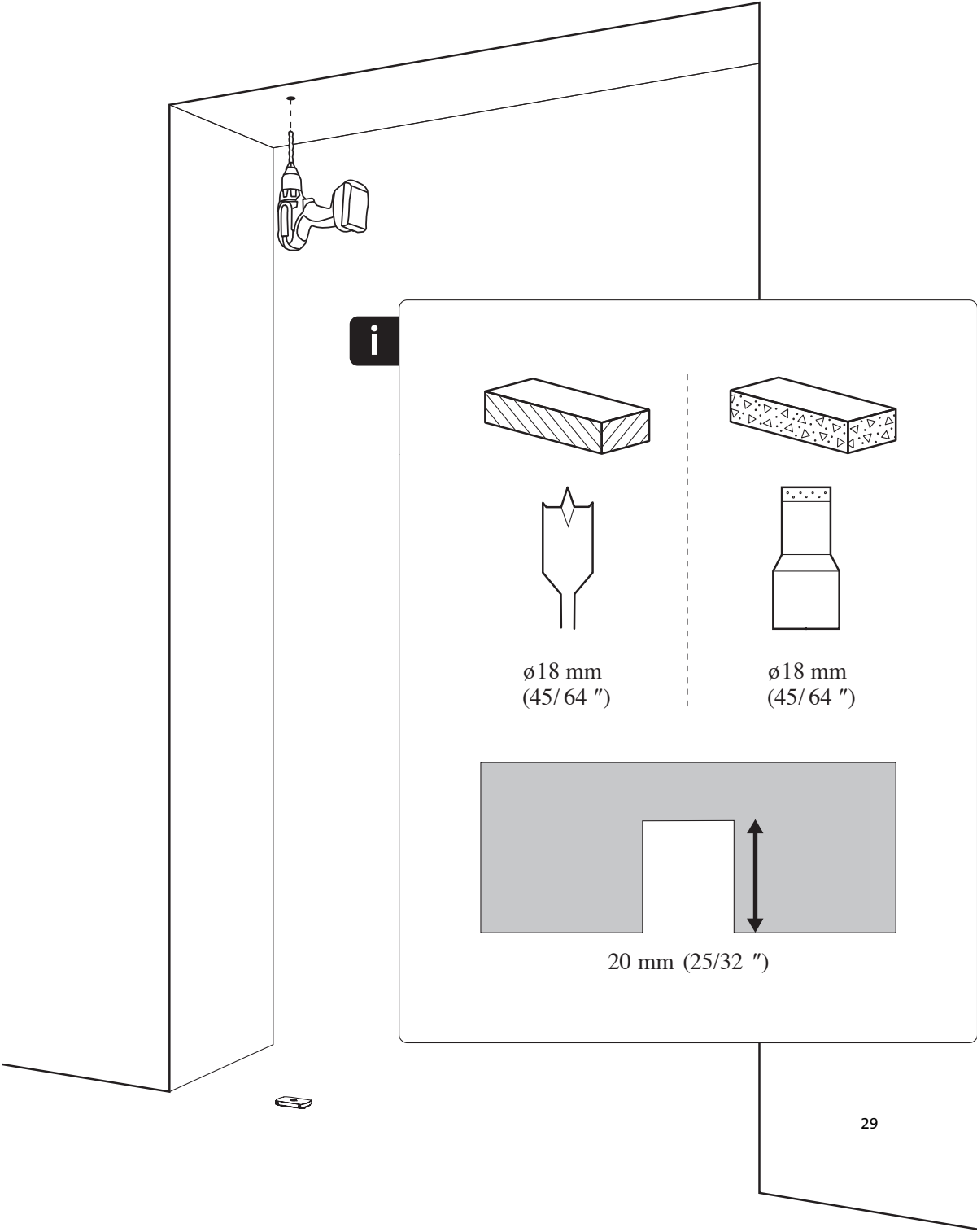
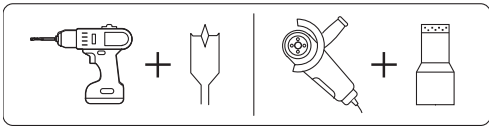
1



2

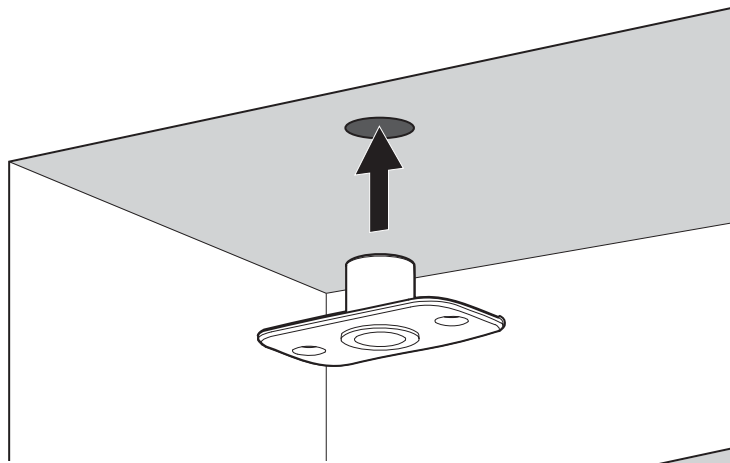




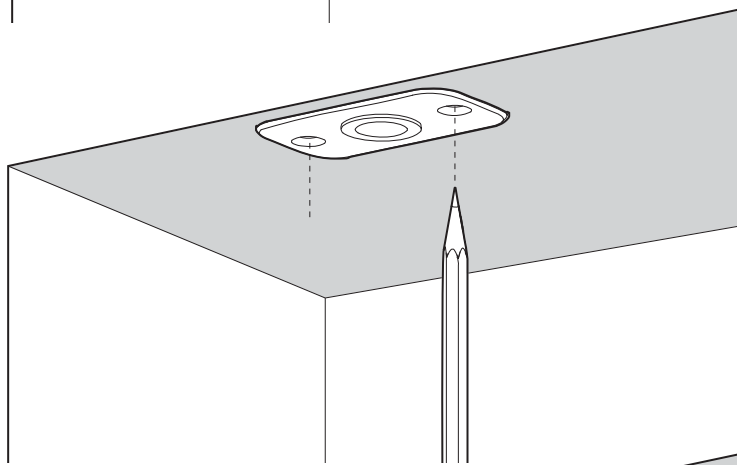




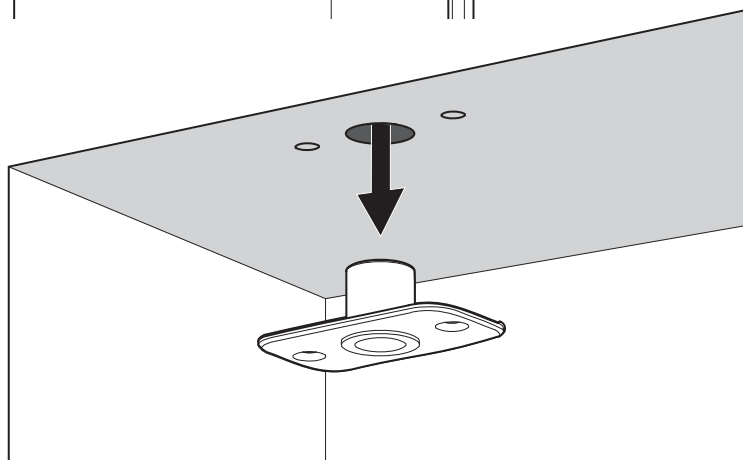
1



2

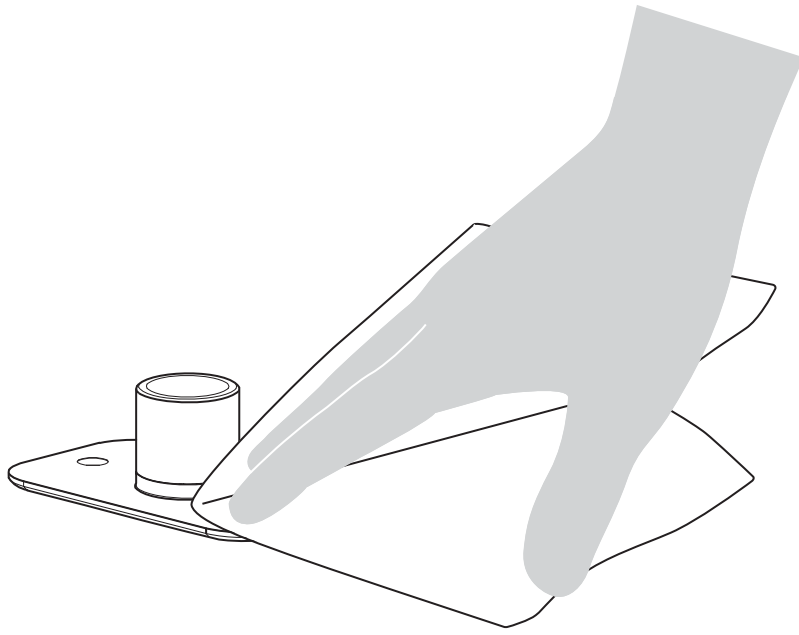


3

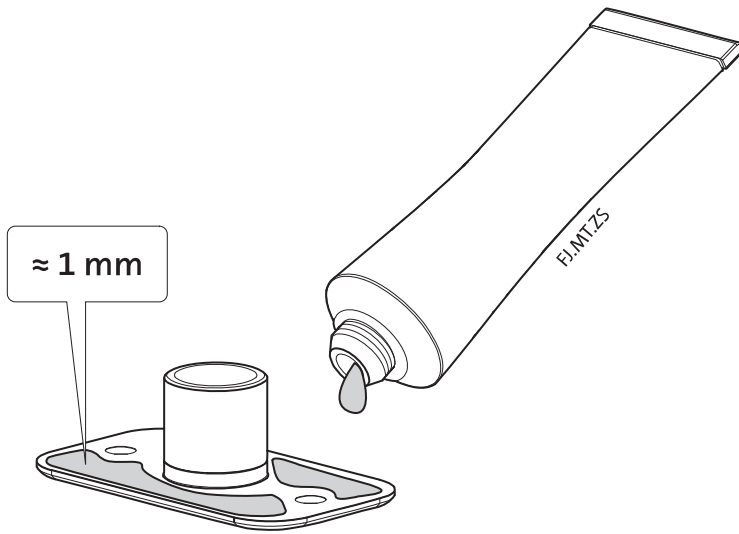


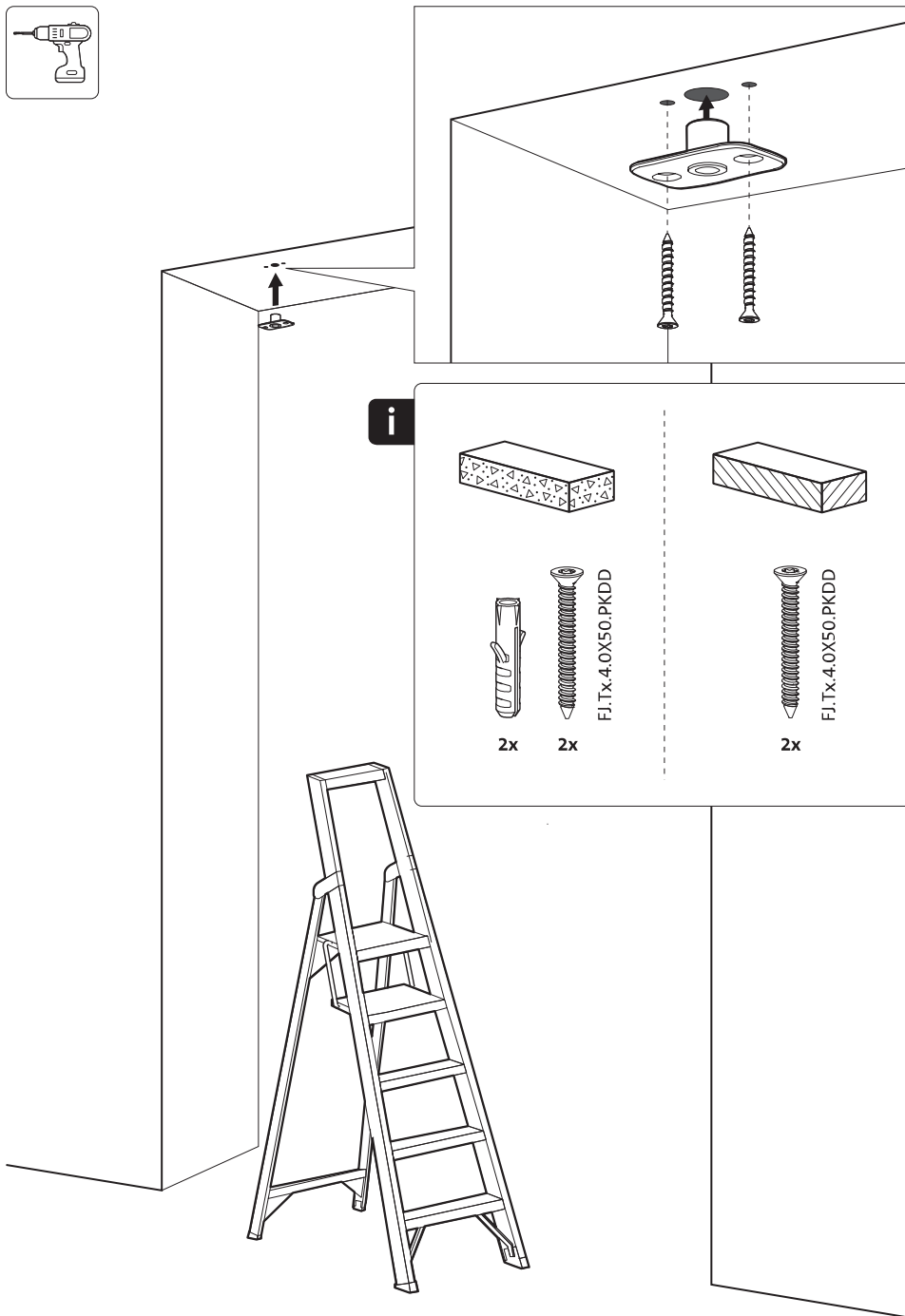


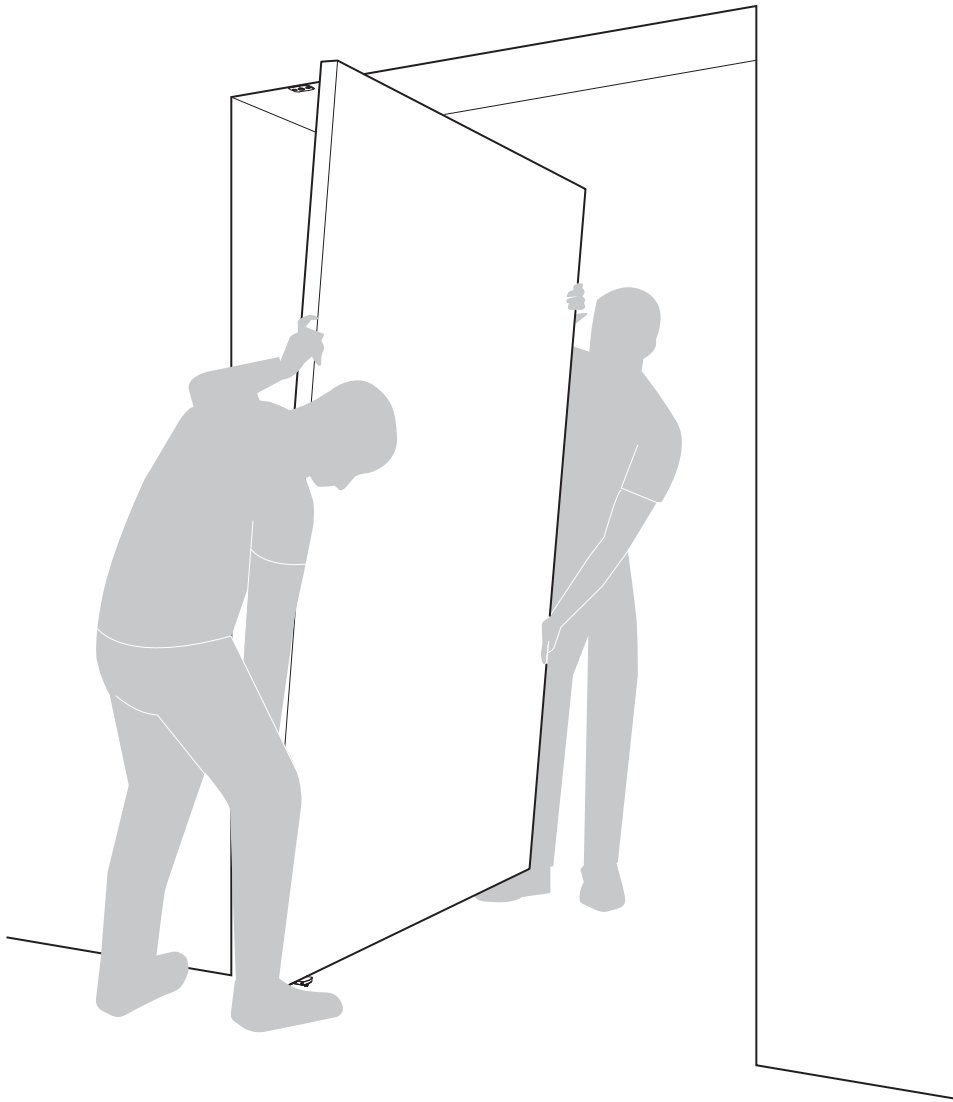
1

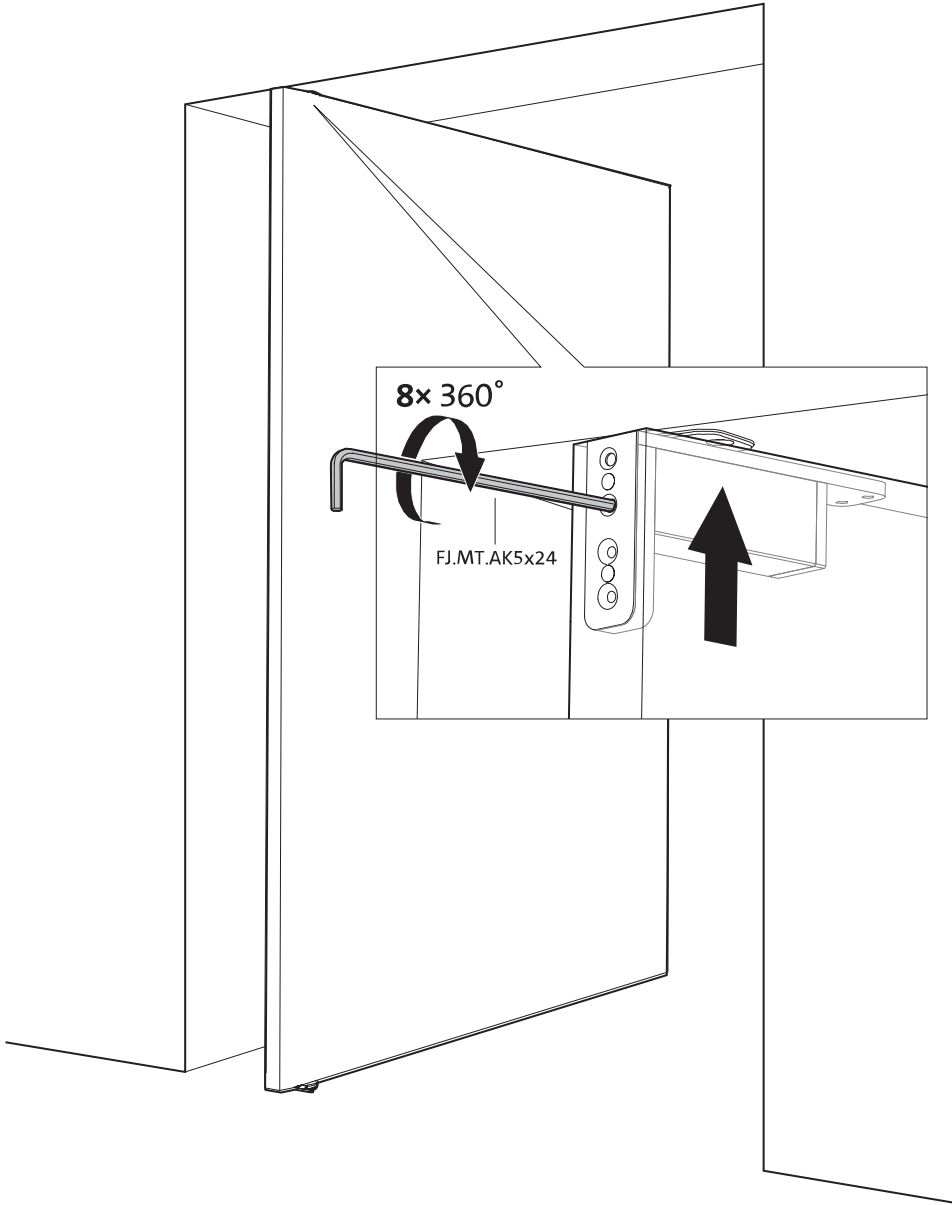
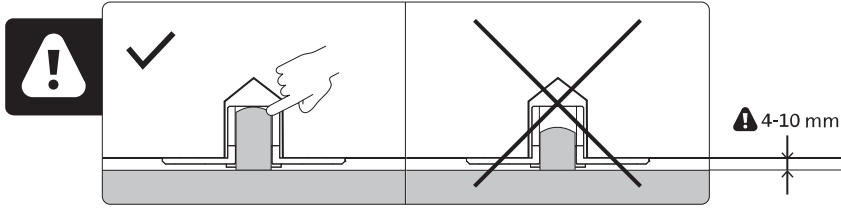


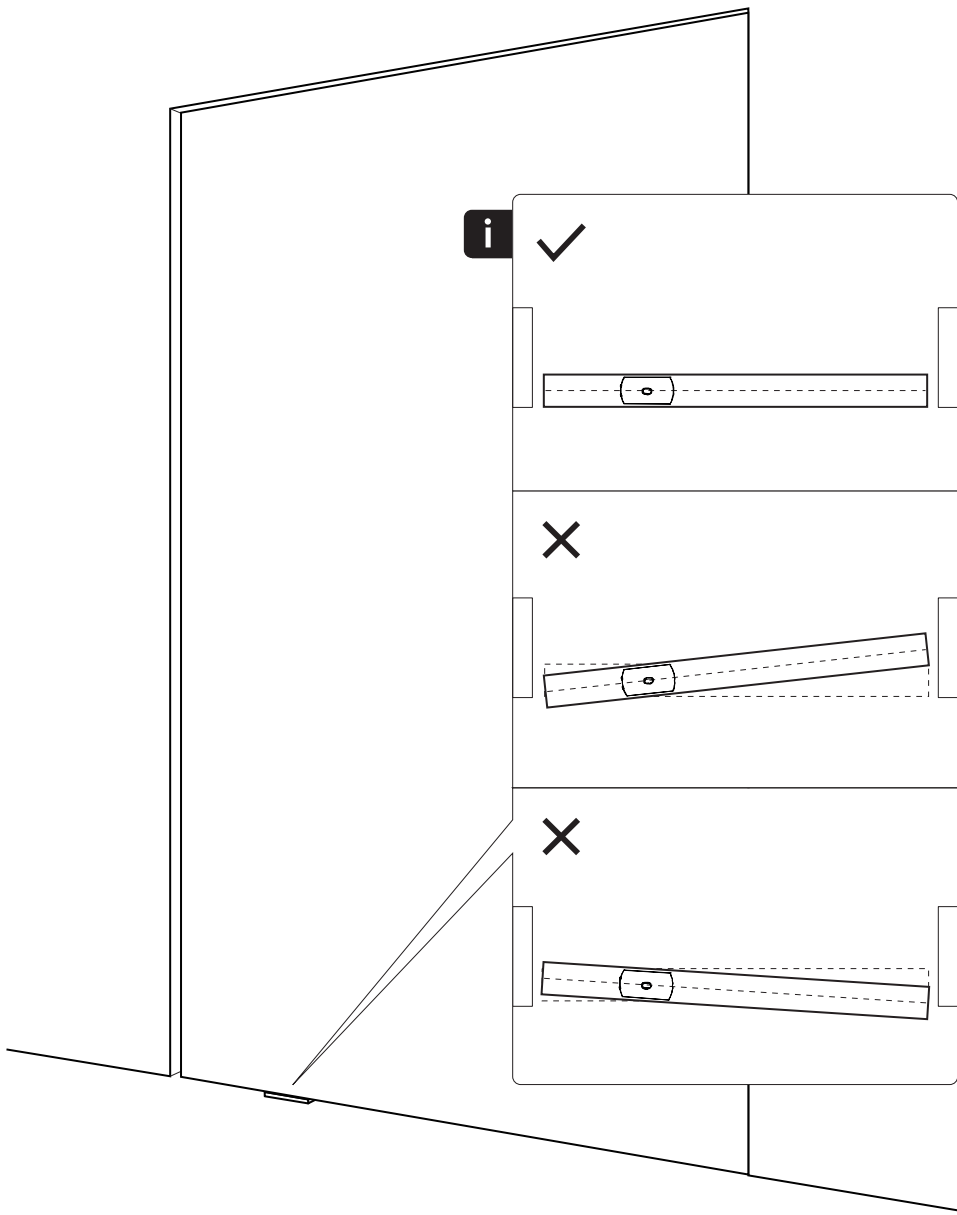
2

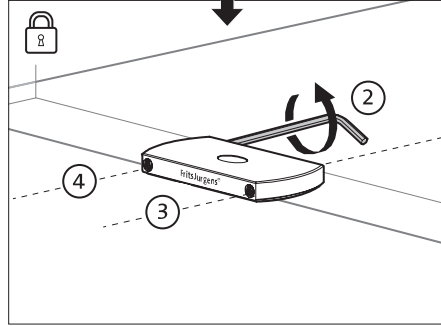
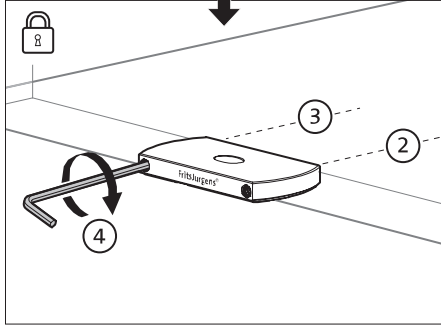
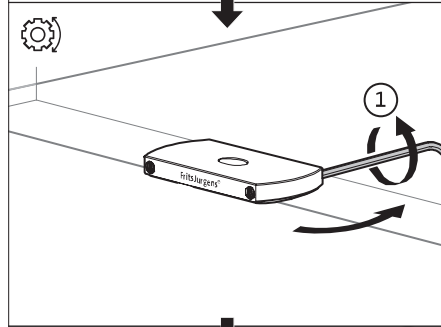
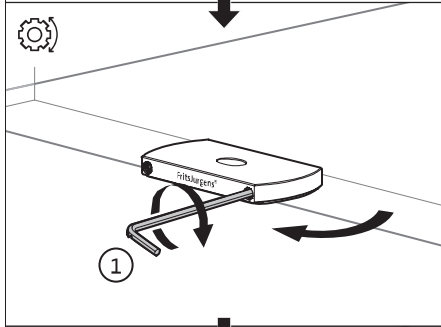
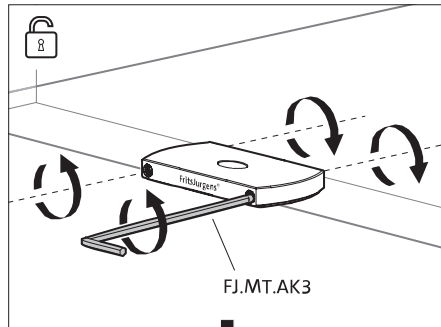
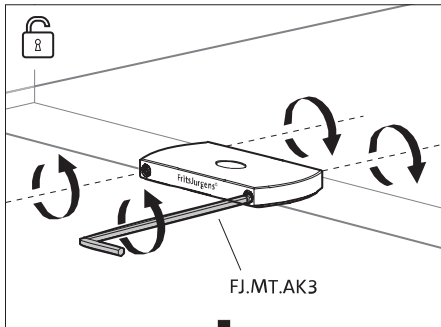
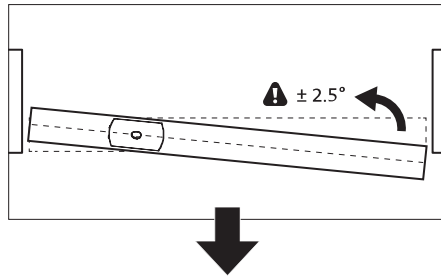
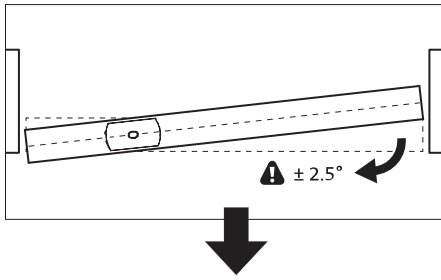


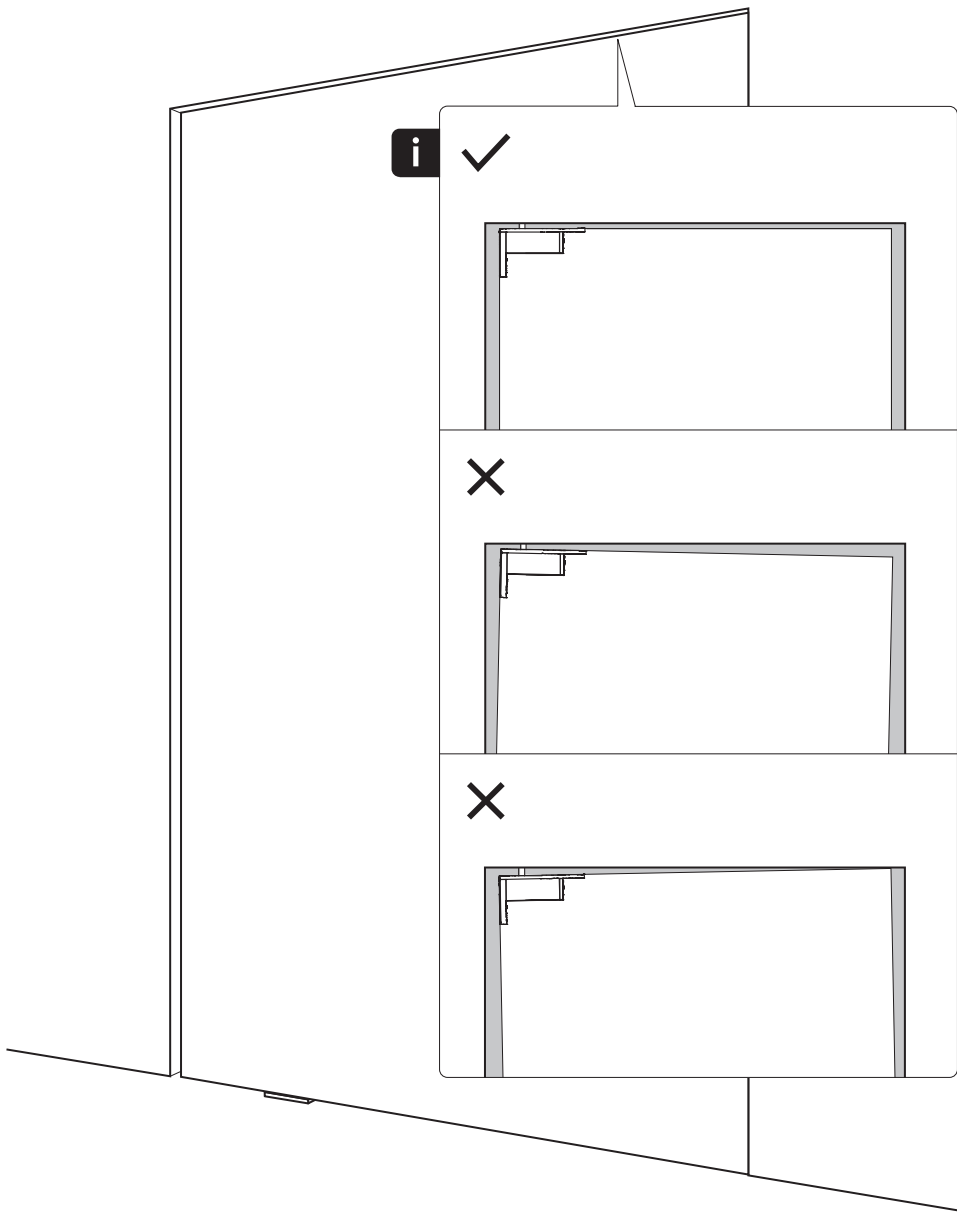


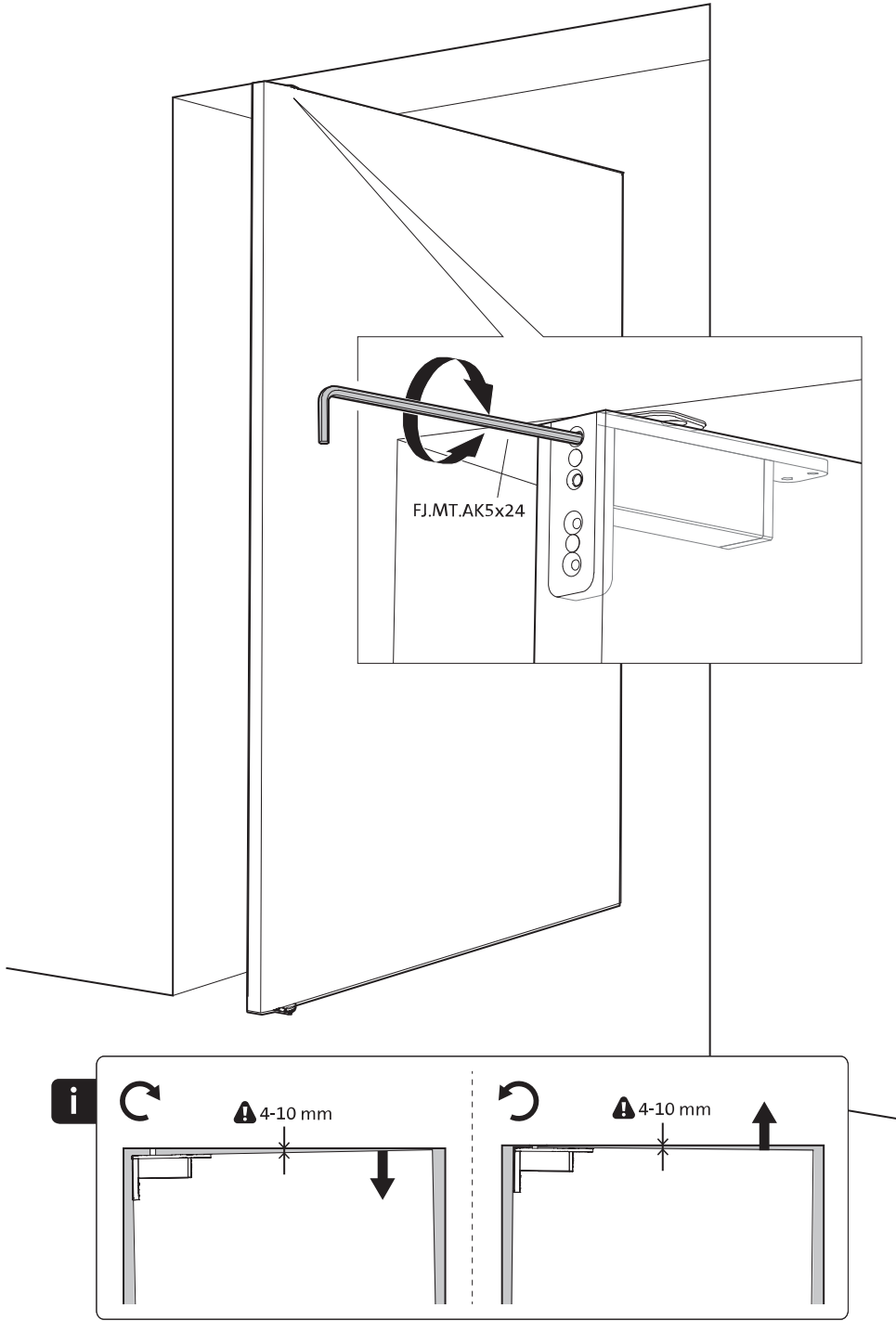




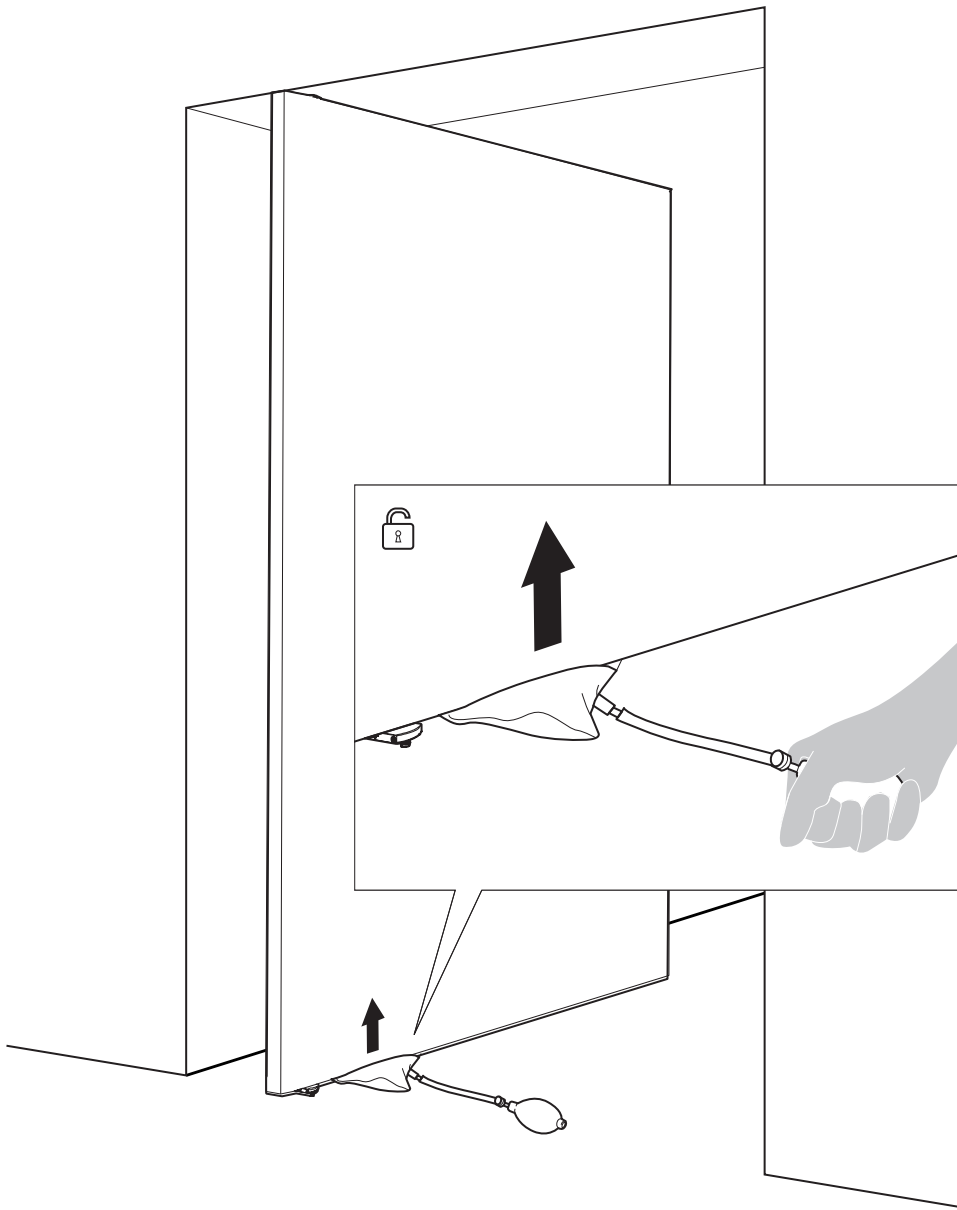


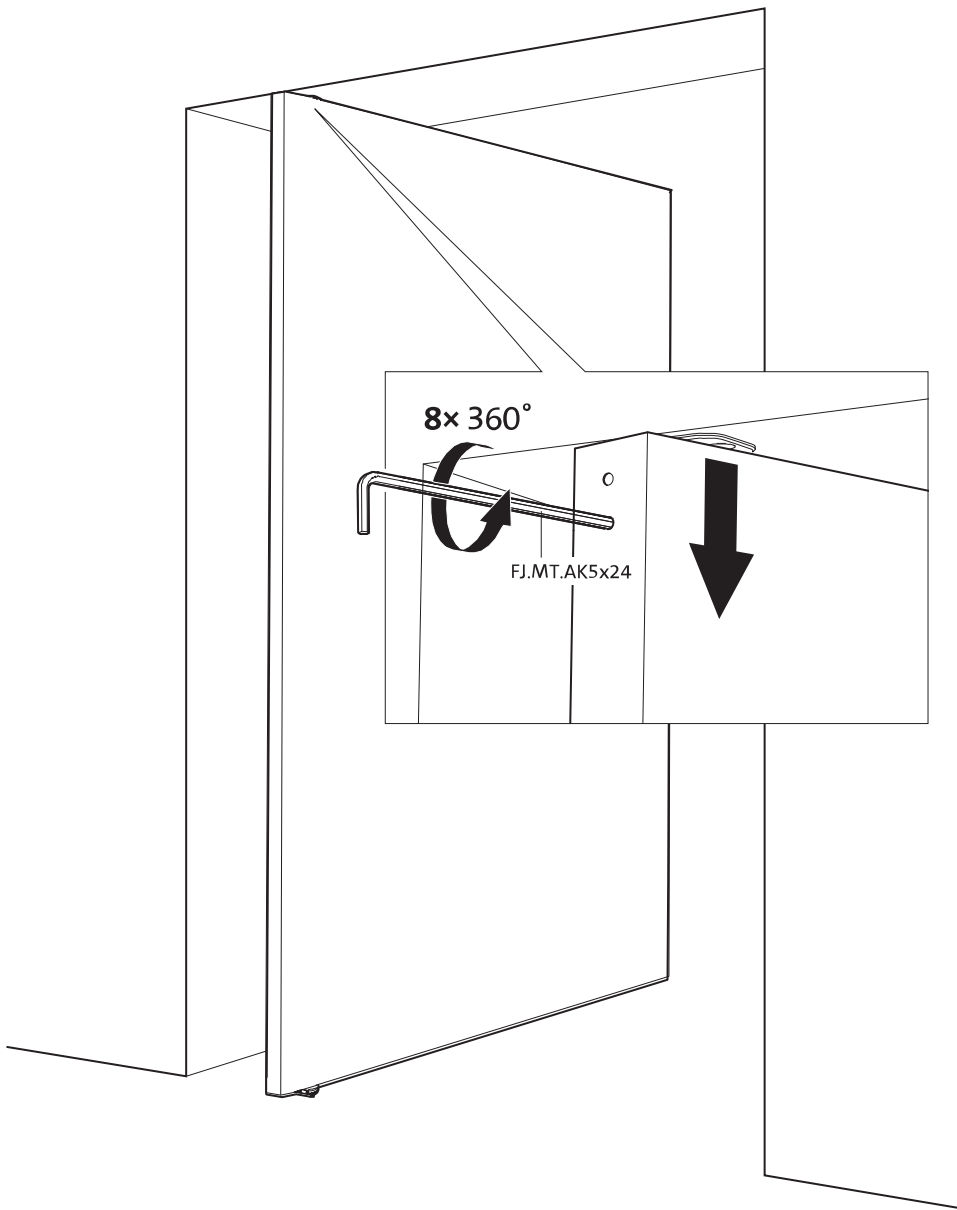


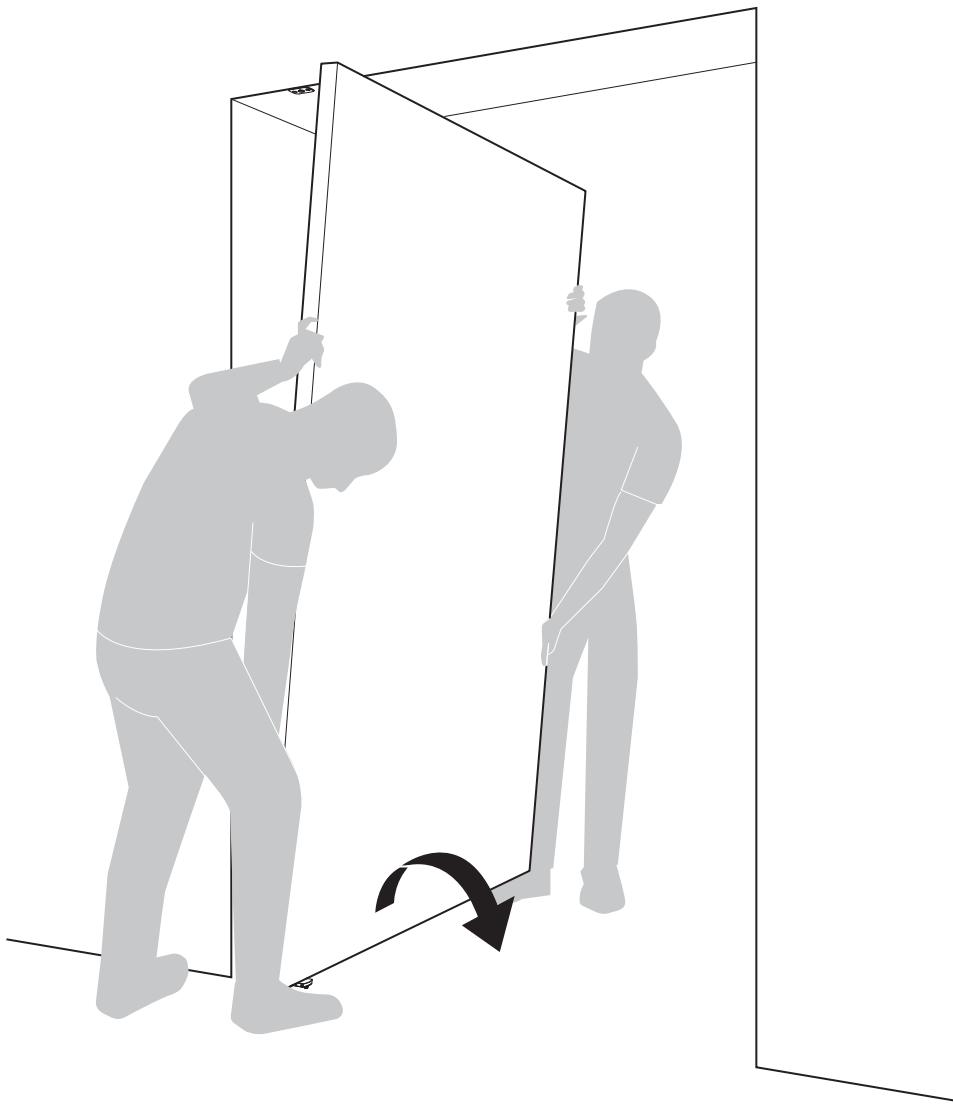




Disassembly instructions







FritsJurgens International

A. Einsteinlaan 1
The Netherlands
9615 TE Kolham
+31 598 343 410
info@fritsjurgens.com

FritsJurgens Dubai Branch

DLC-OP-A2-4-0029
Dubai South
Dubai
United Arab Emirates
+971 4 820 8106
+971 58 137 2611
dubai@fritsjurgens.com
fritsjurgens.com

Copyright © FritsJurgens®
BP.Fx.40.C.X.SS

