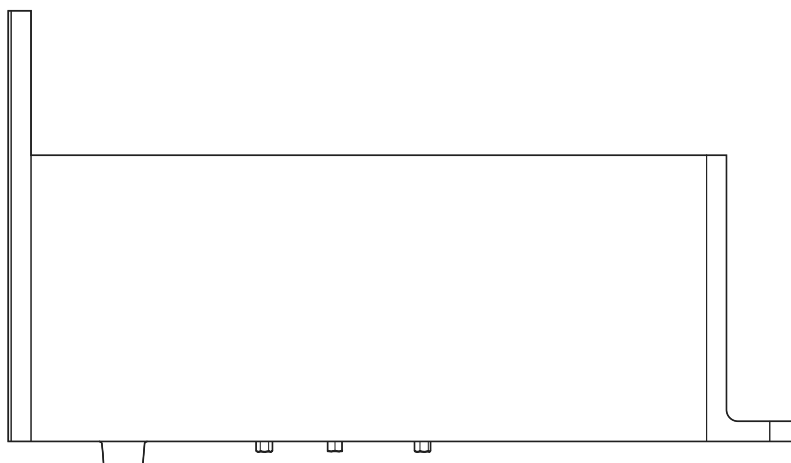


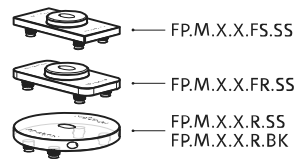
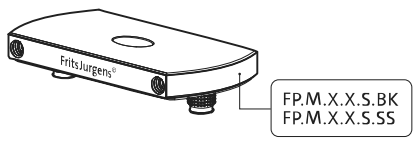
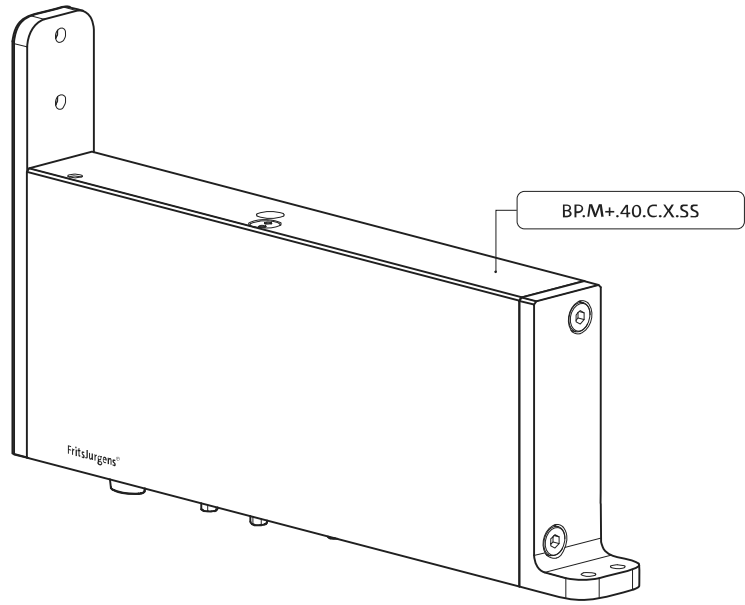
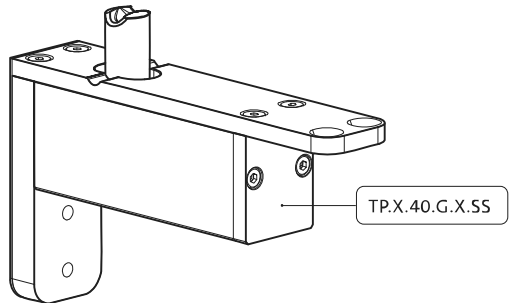
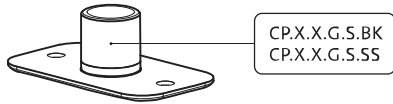
System M+

Manuel de fraisage et de montage

FritsJurgens Kit - 40 mm Classe C - acier inoxydable

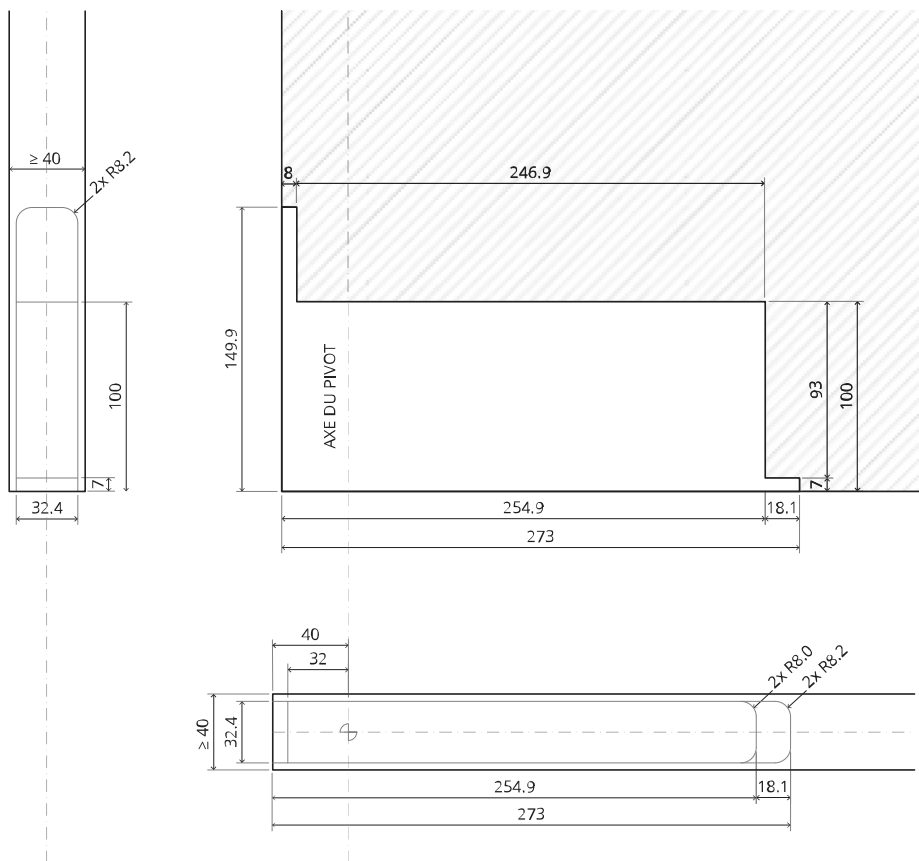


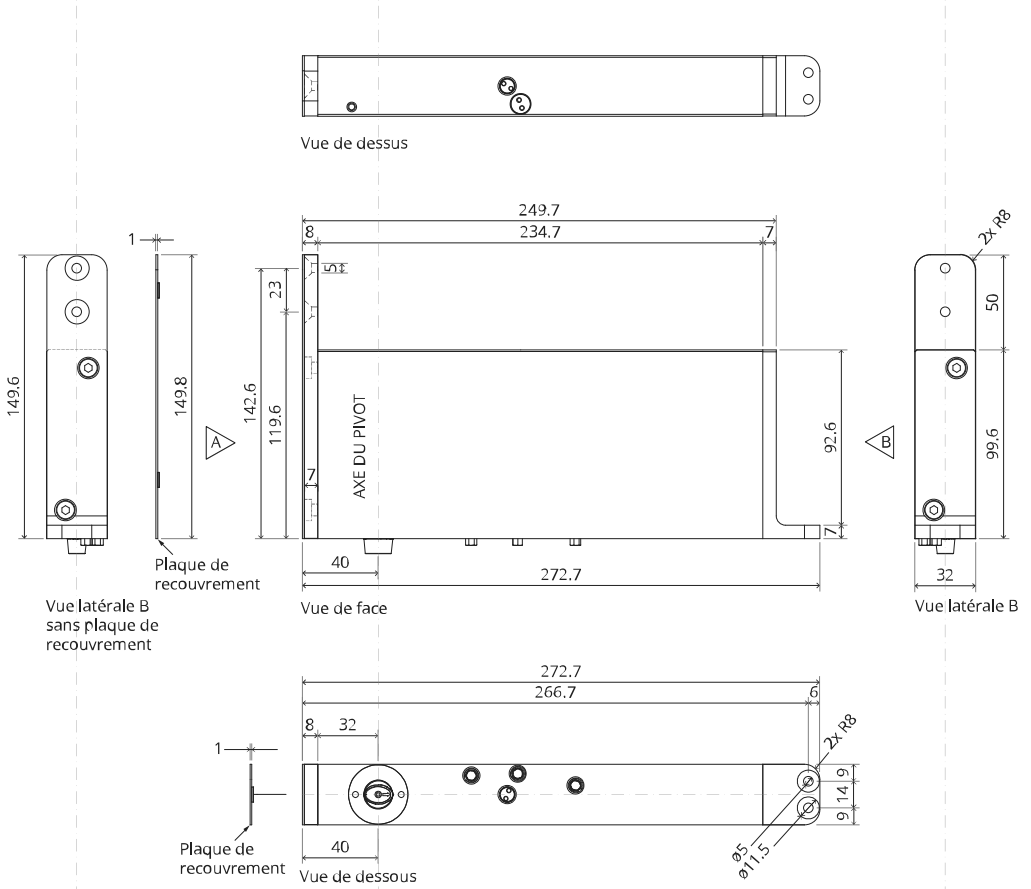
FritsJurgens®

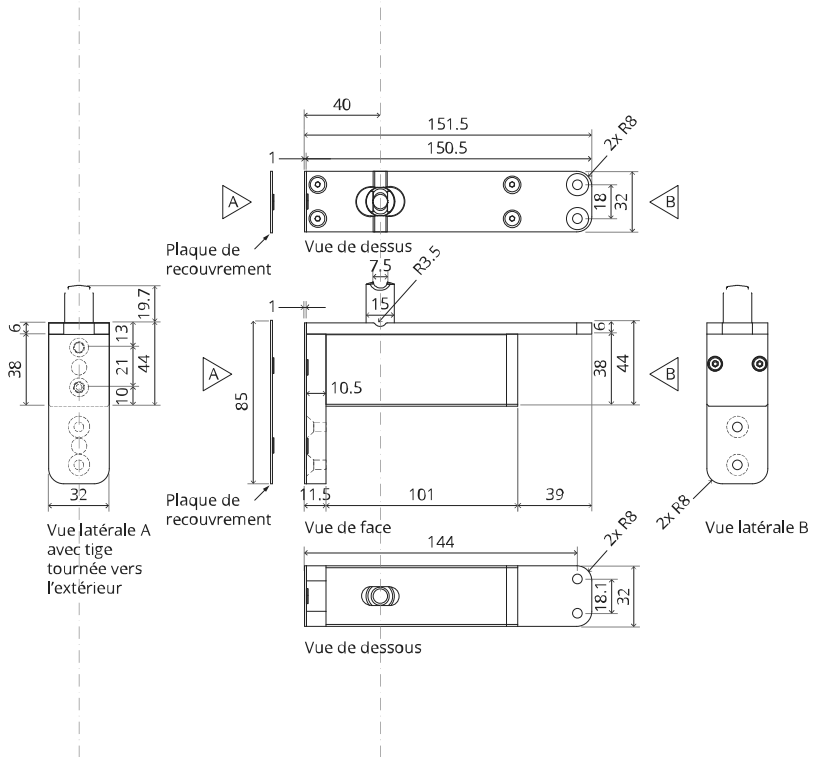


Instructions de fraisage

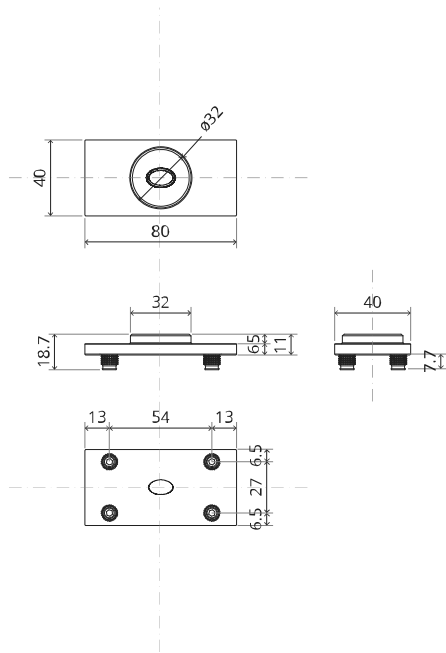
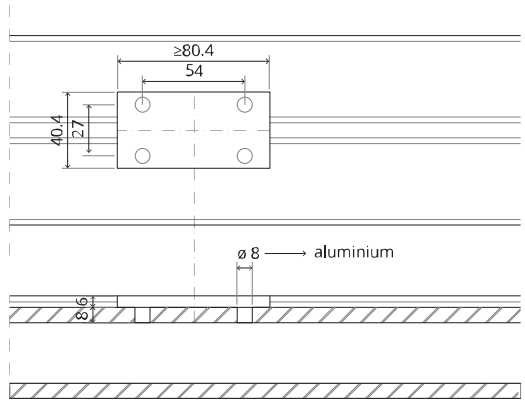
BP.M+.40.C.X.SS

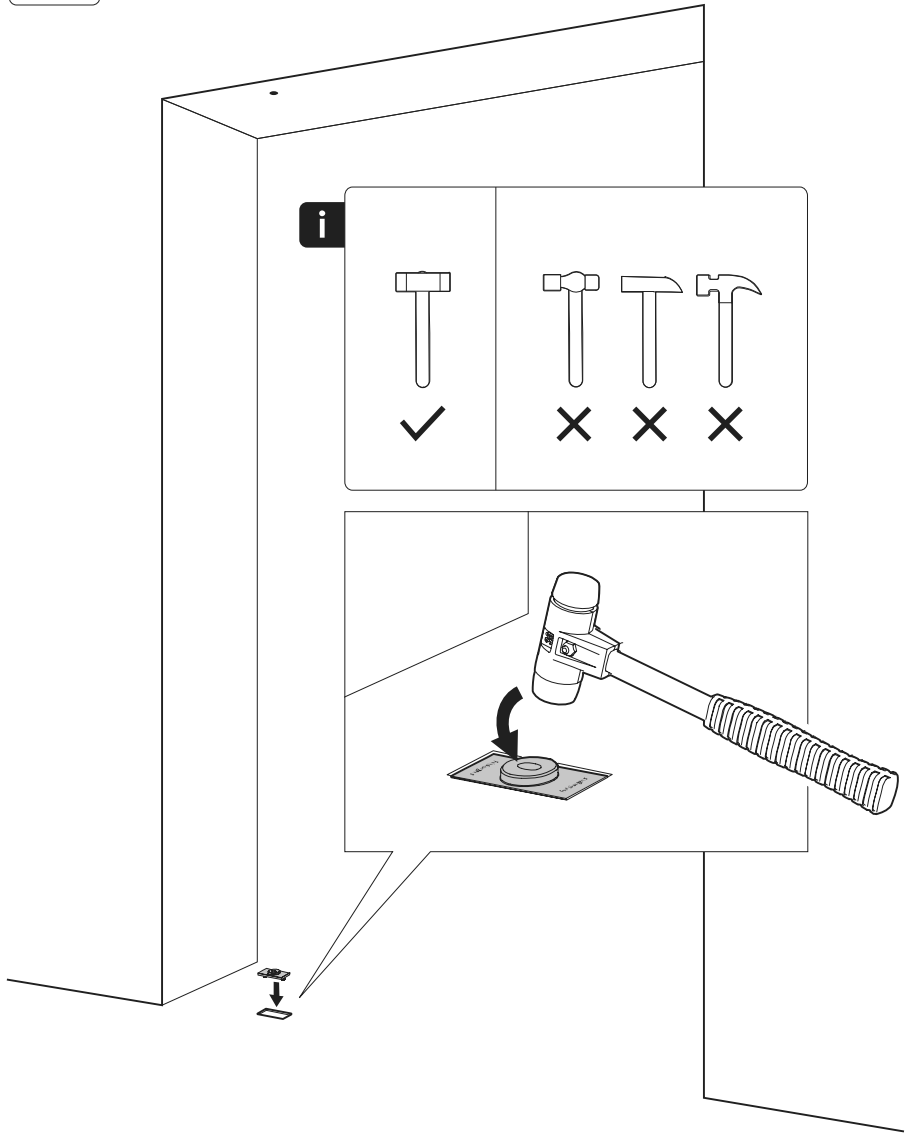




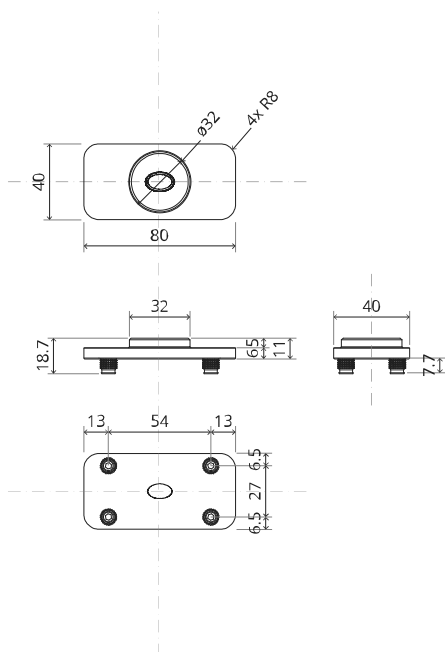
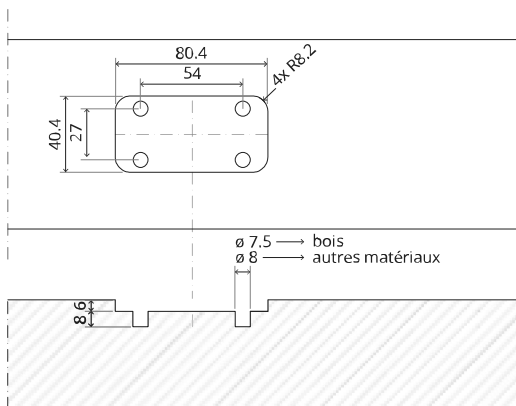


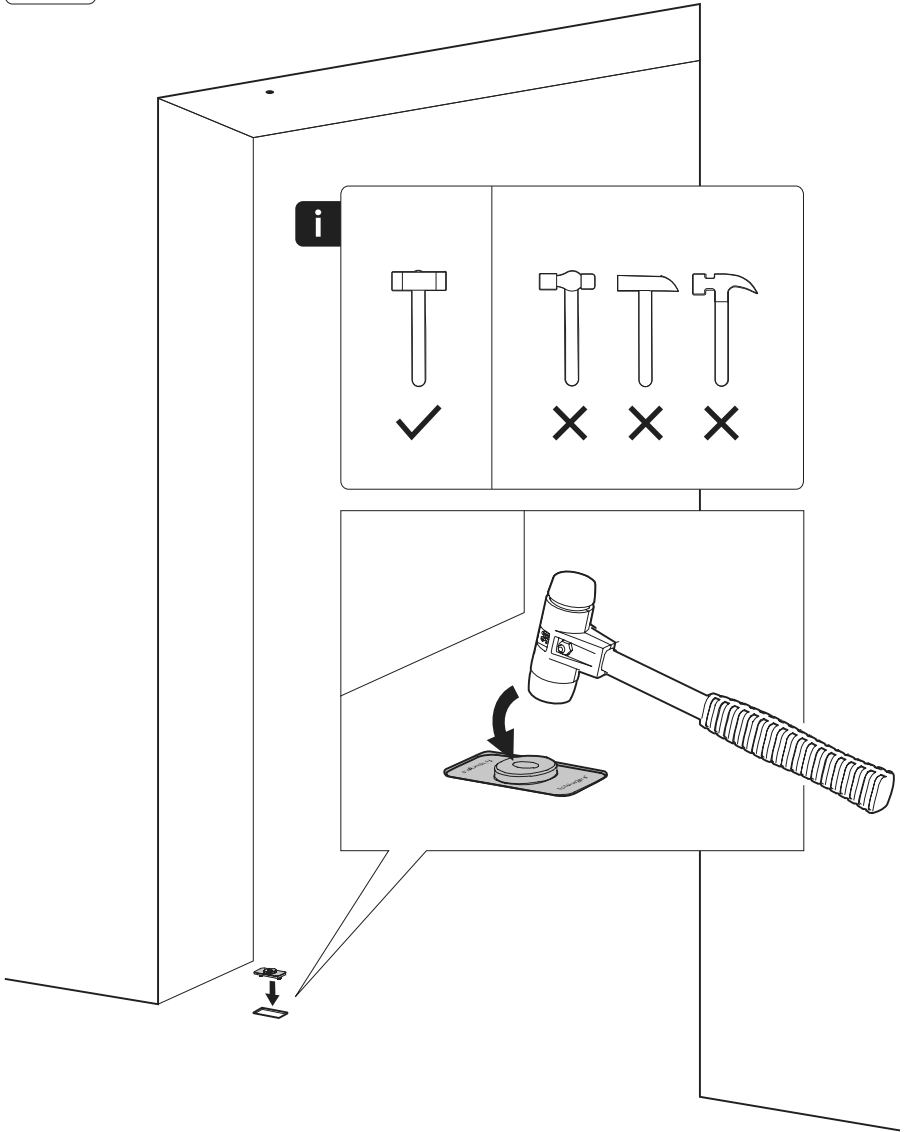
FP.M.X.X.FS.SS



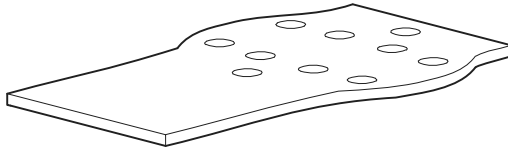


FP.M.X.X.FR.SS





Instructions de montage



FJ.MT.DT.M



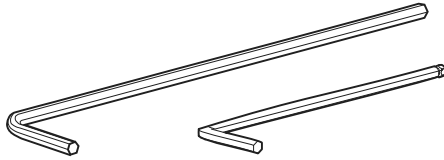
FJ.MT.Z5



10x FJ.Tx.4.0X50.PKDD



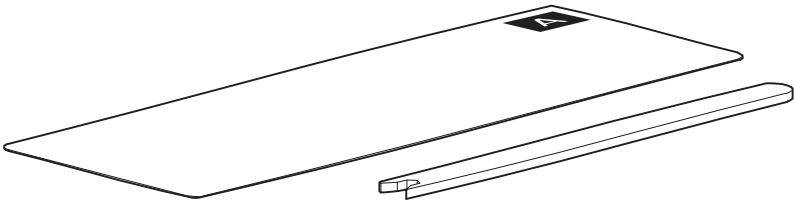
FJ.Bit.Tx20



FJ.MT.AK3

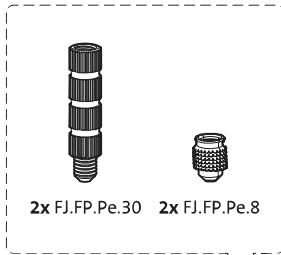


FJ.MT.AK5x24

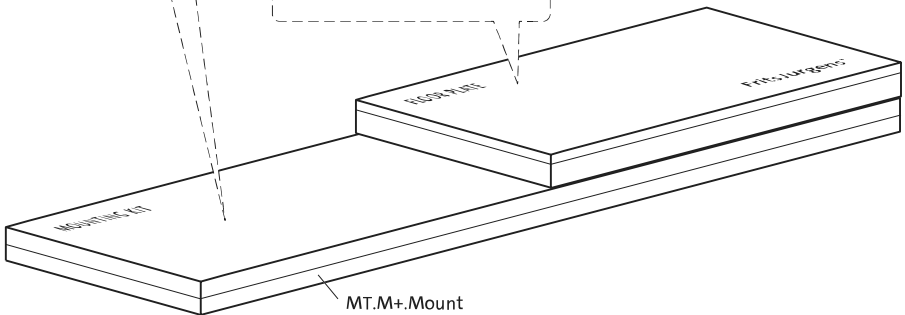


FJ.MT.AC.M+

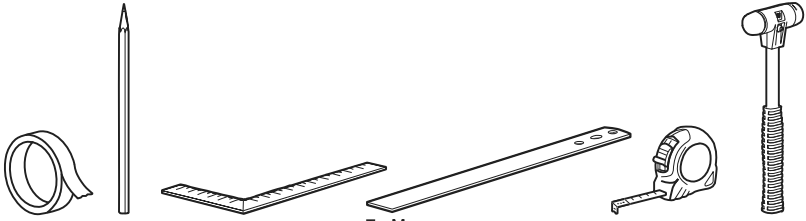
FJ.MT.AS.M



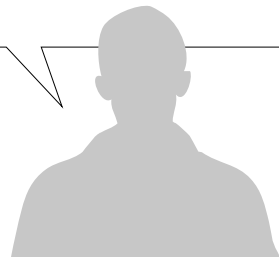
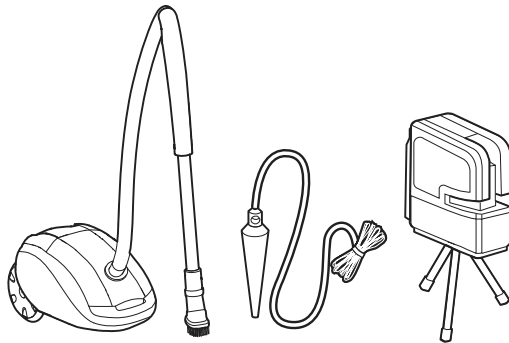
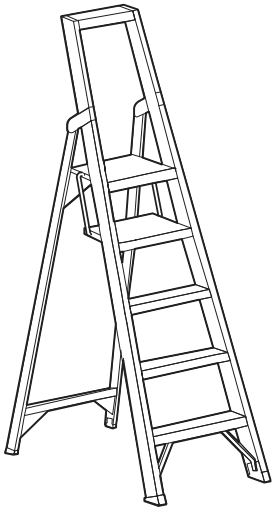
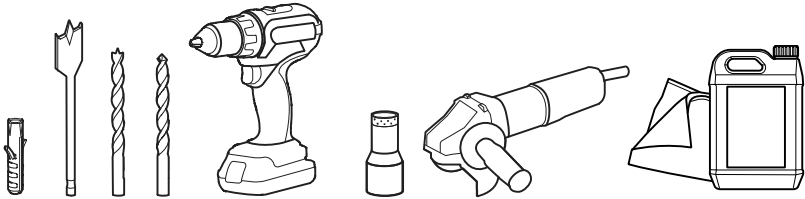
2x FJ.FP.Pe.30 2x FJ.FP.Pe.8

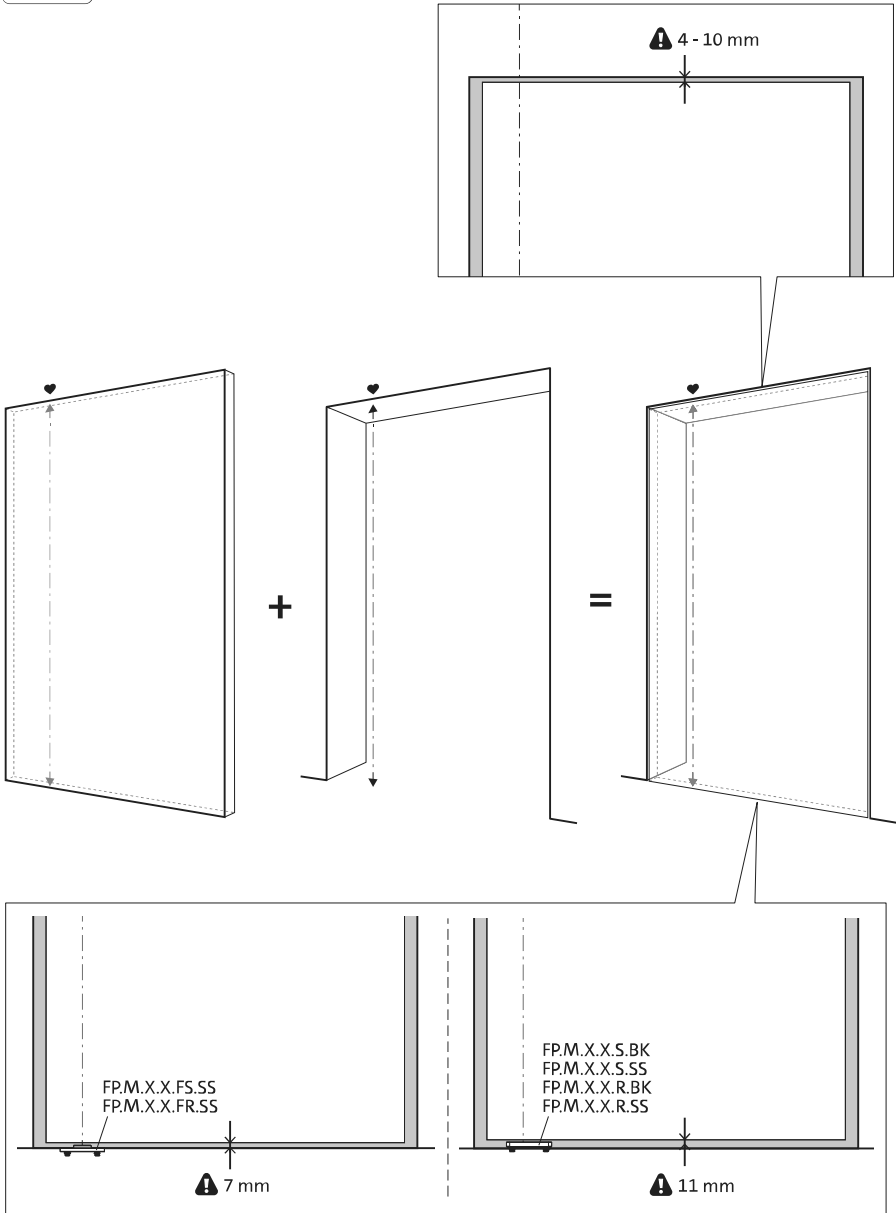


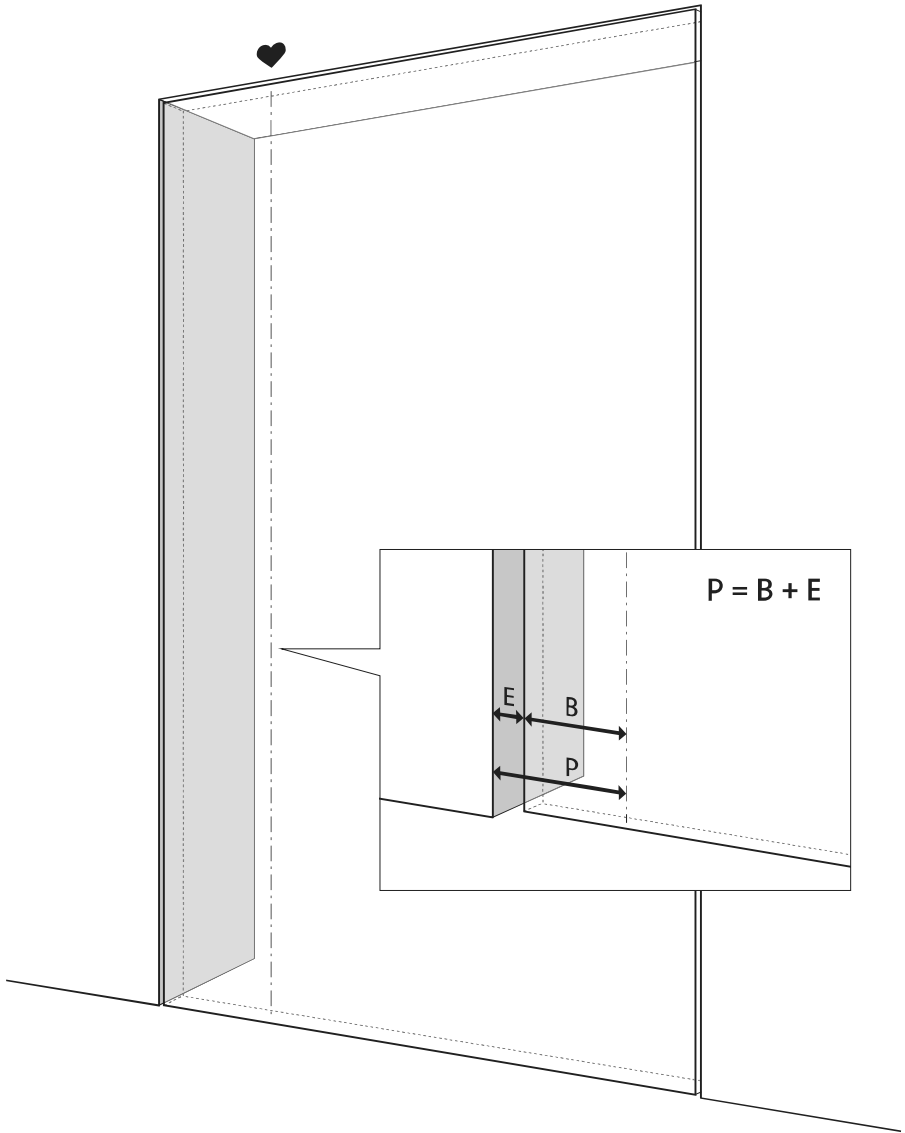
MT.M+.Mount

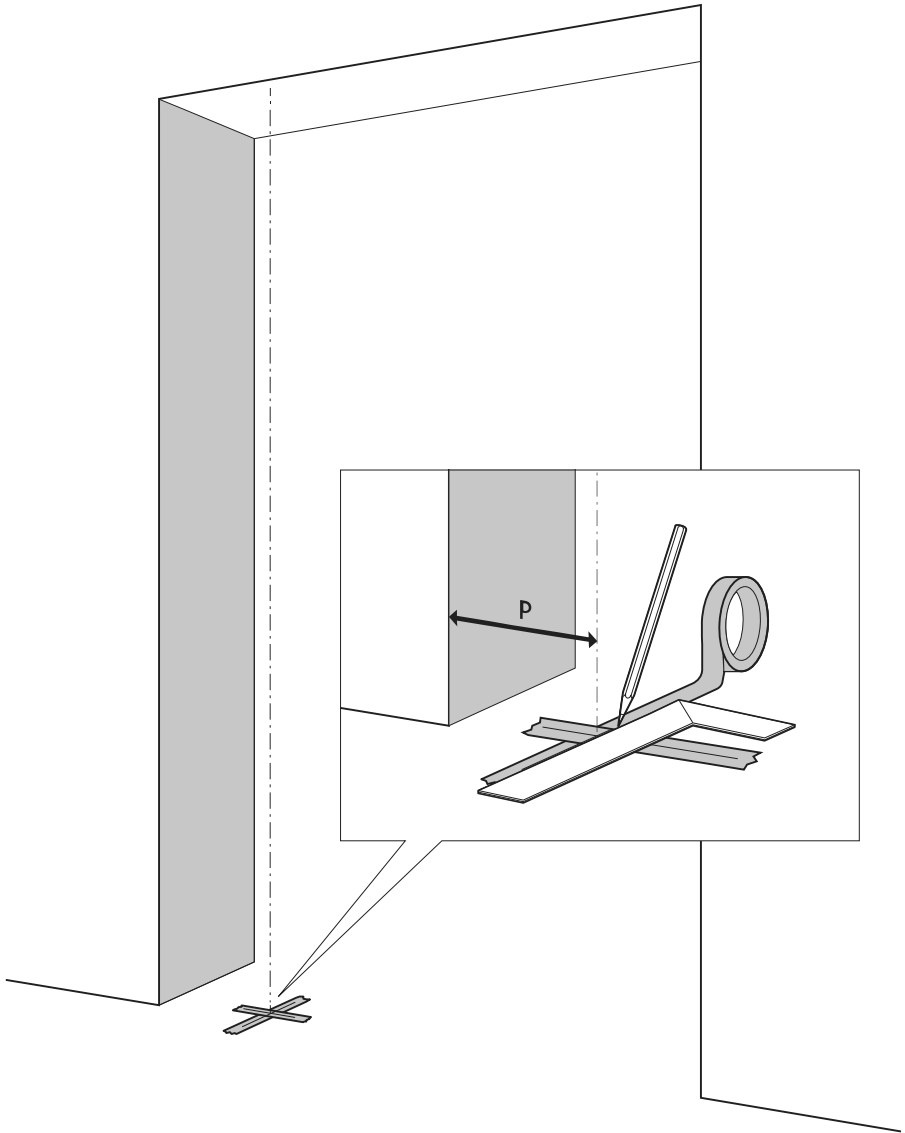


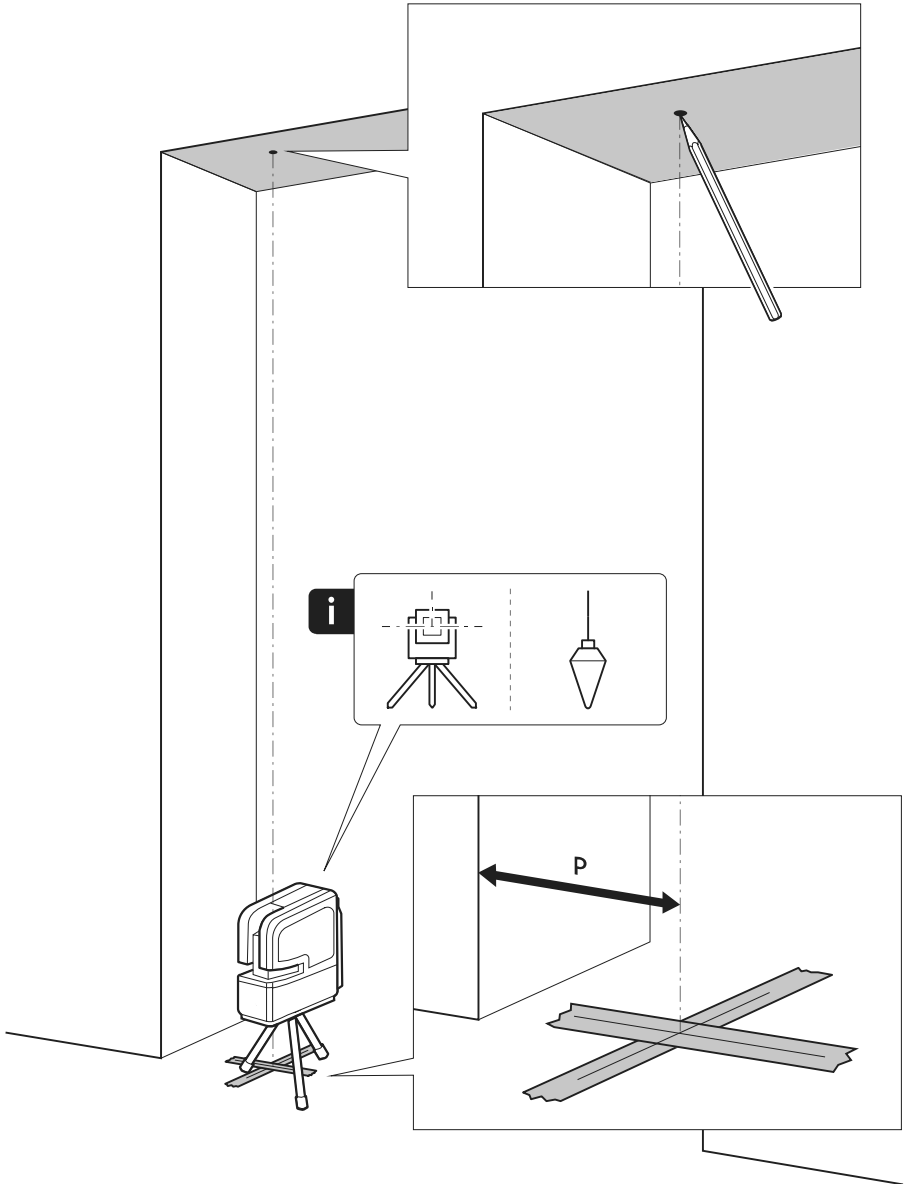
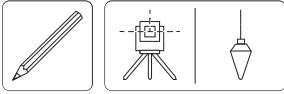
To.M

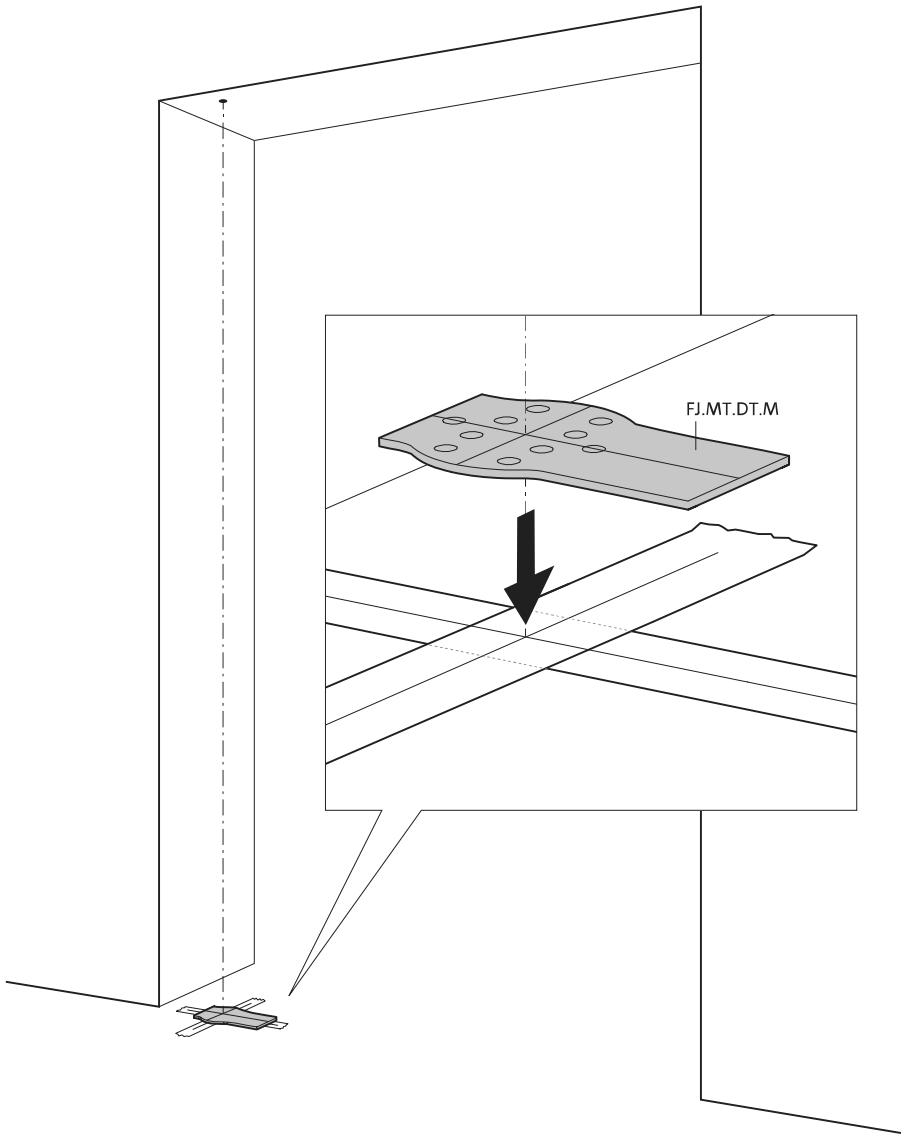


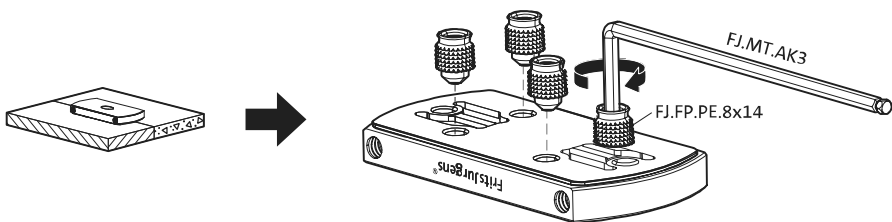
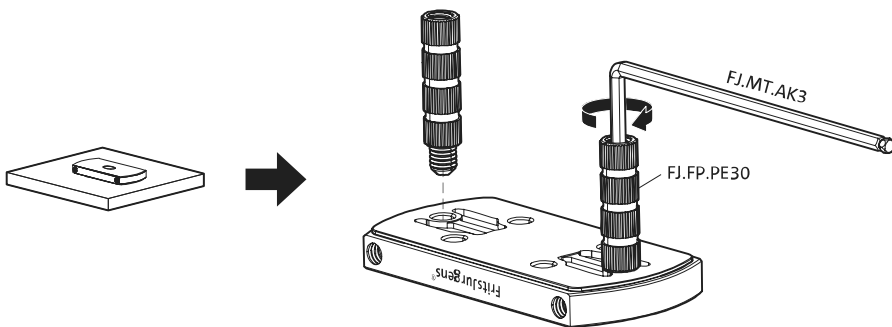
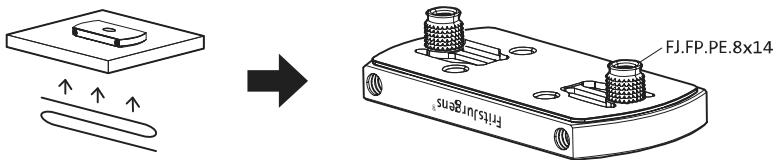


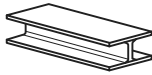




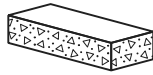
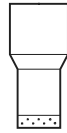




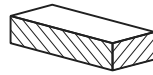




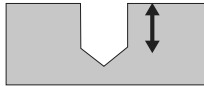
ø8 mm (5/16")



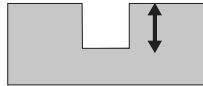
ø8 mm (5/16")



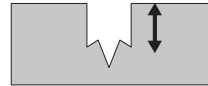
ø7.5 mm (19/64")



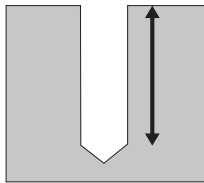
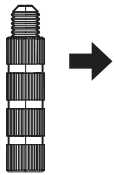
8 mm (5/16")



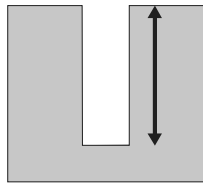
8 mm (5/16")



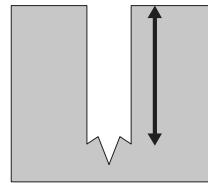
8 mm (5/16")



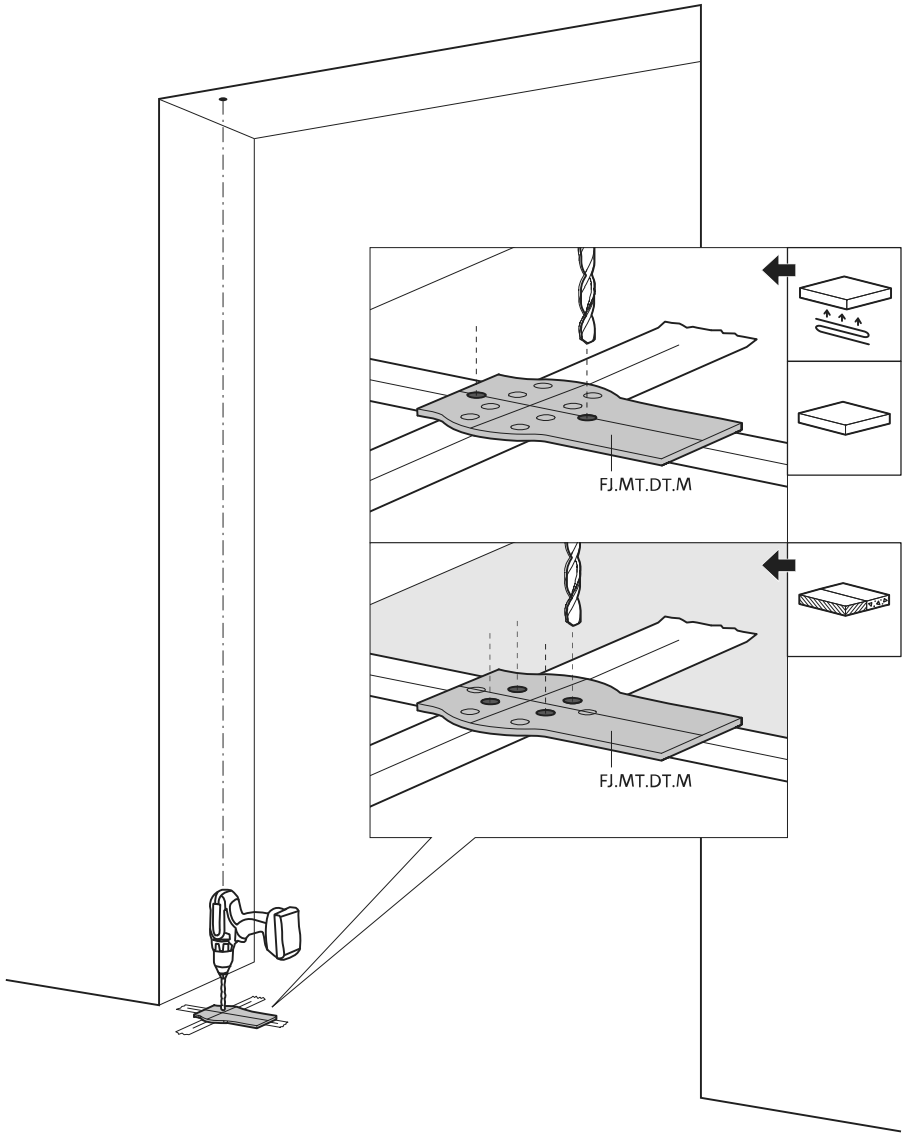
30 mm (13/16")

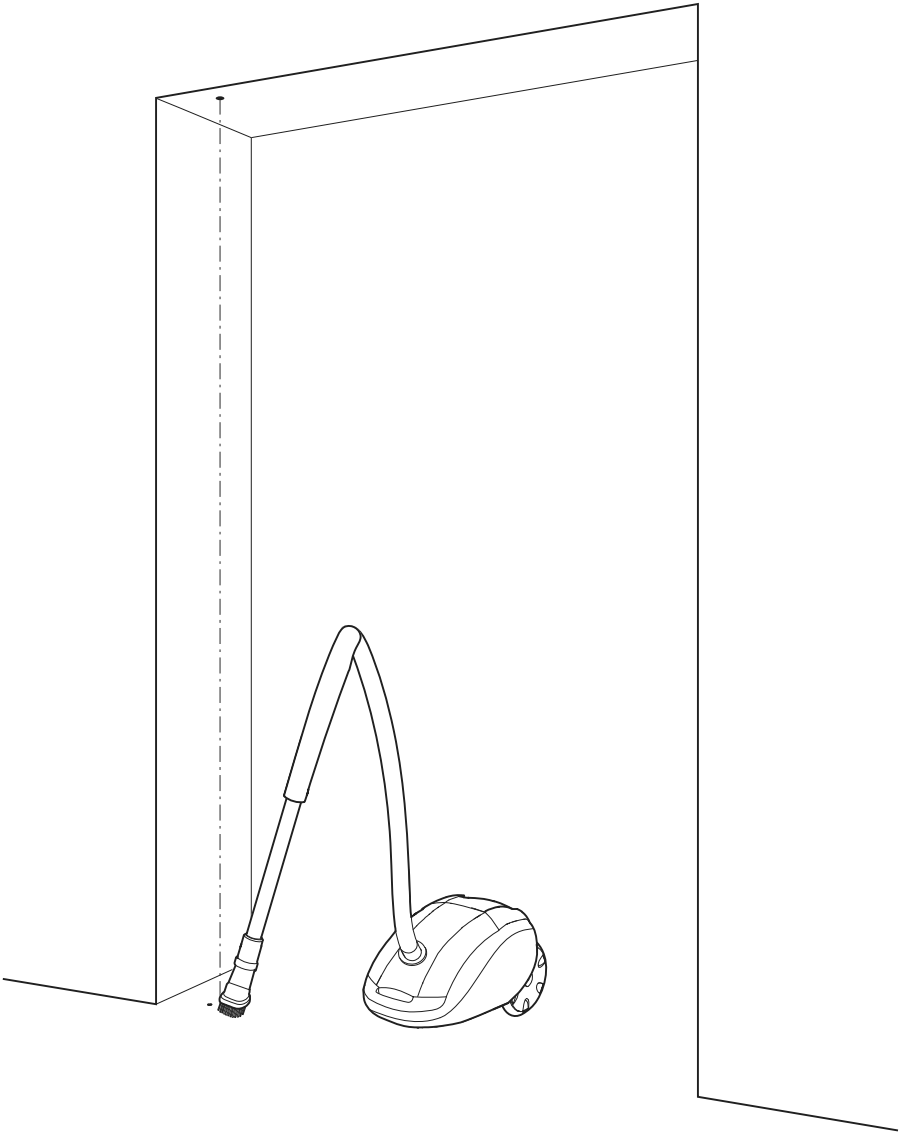


30 mm (13/16")



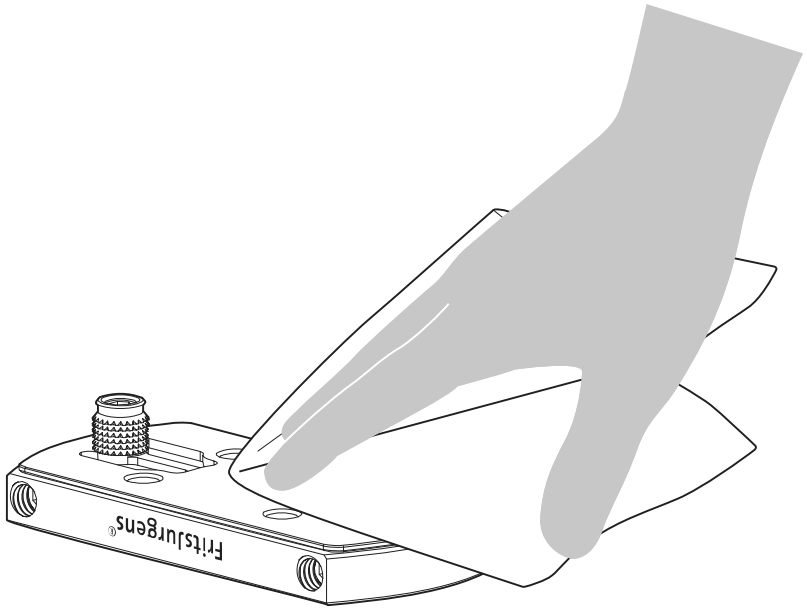
30 mm (13/16")



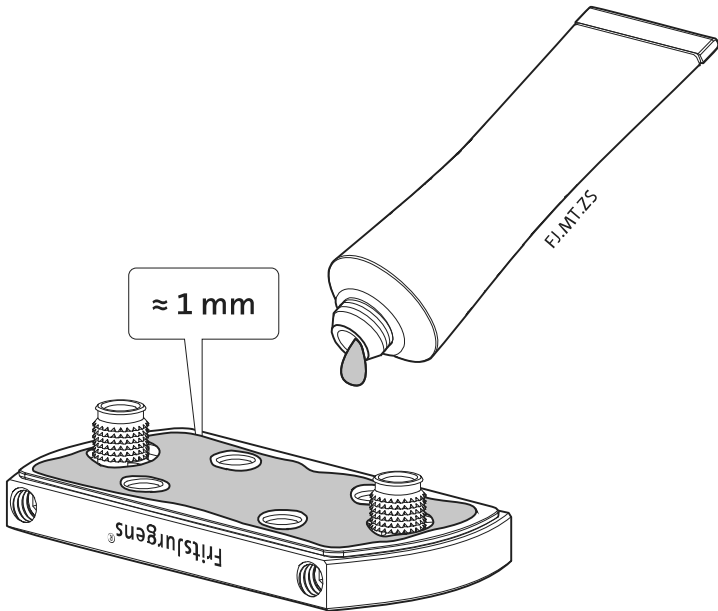


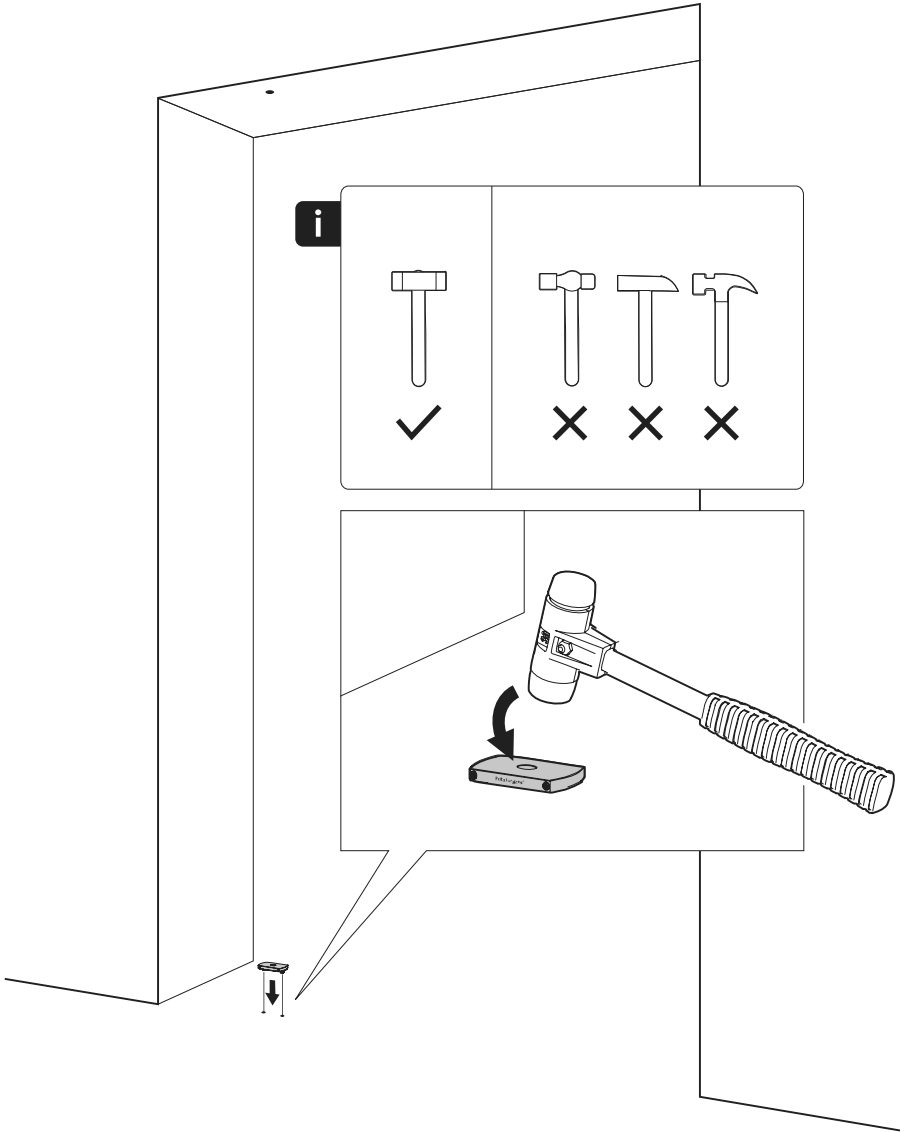


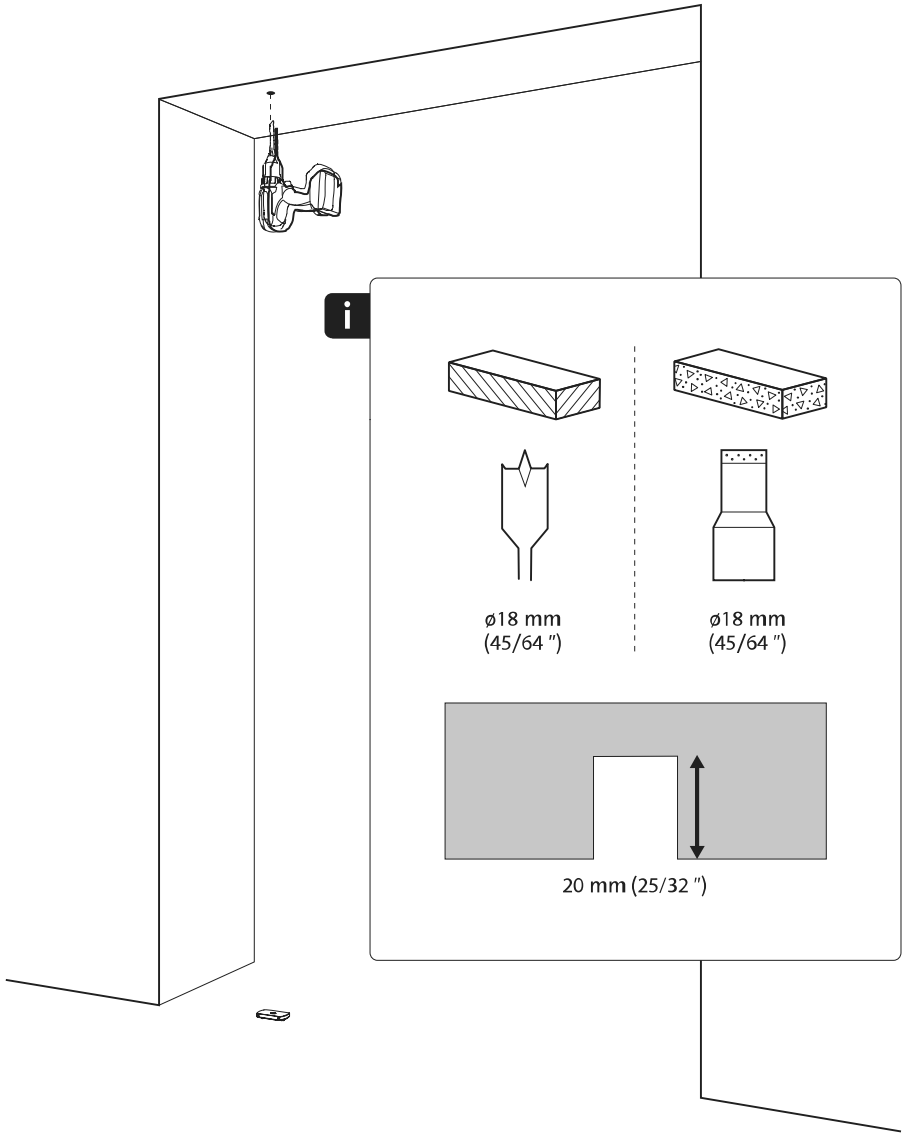
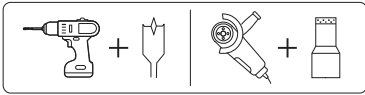
1



2

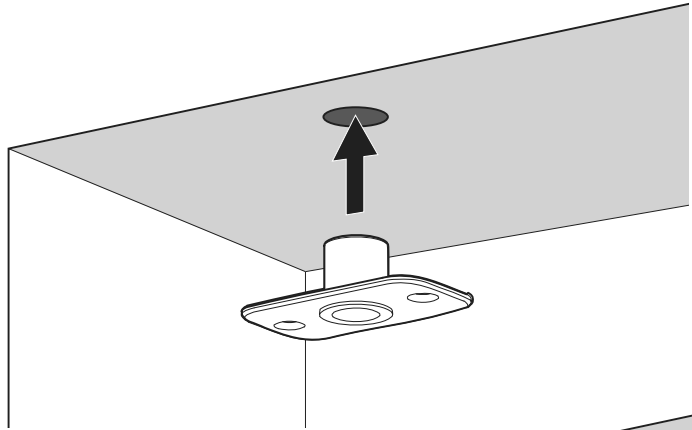




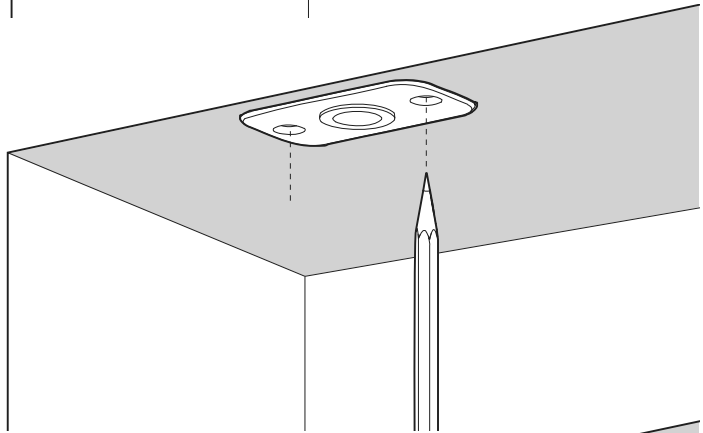




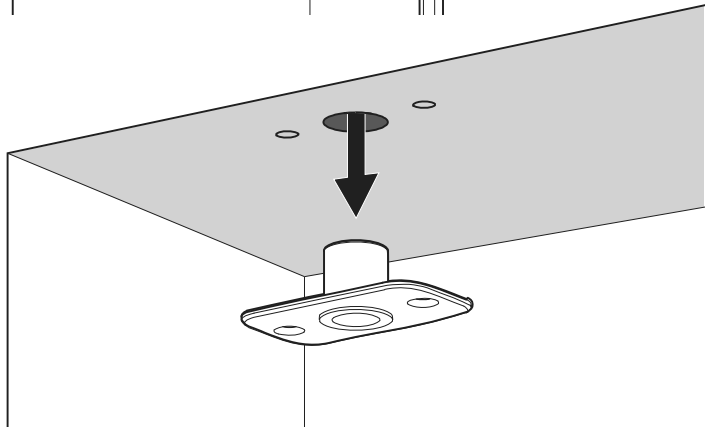
1



2

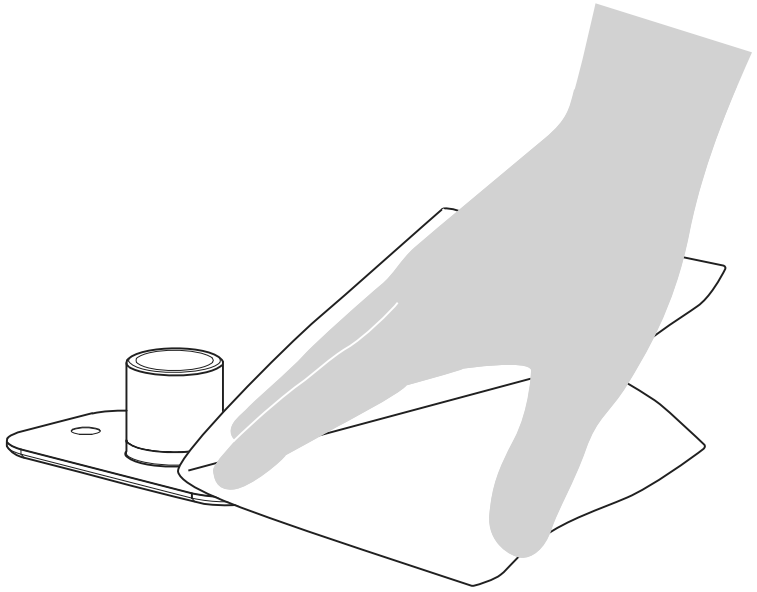


3

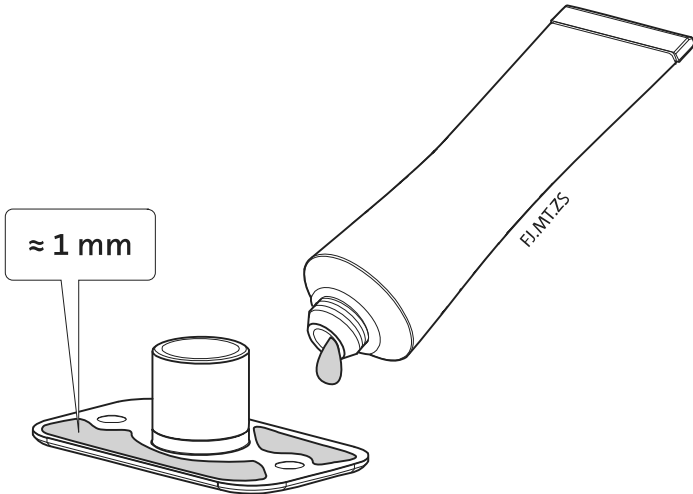


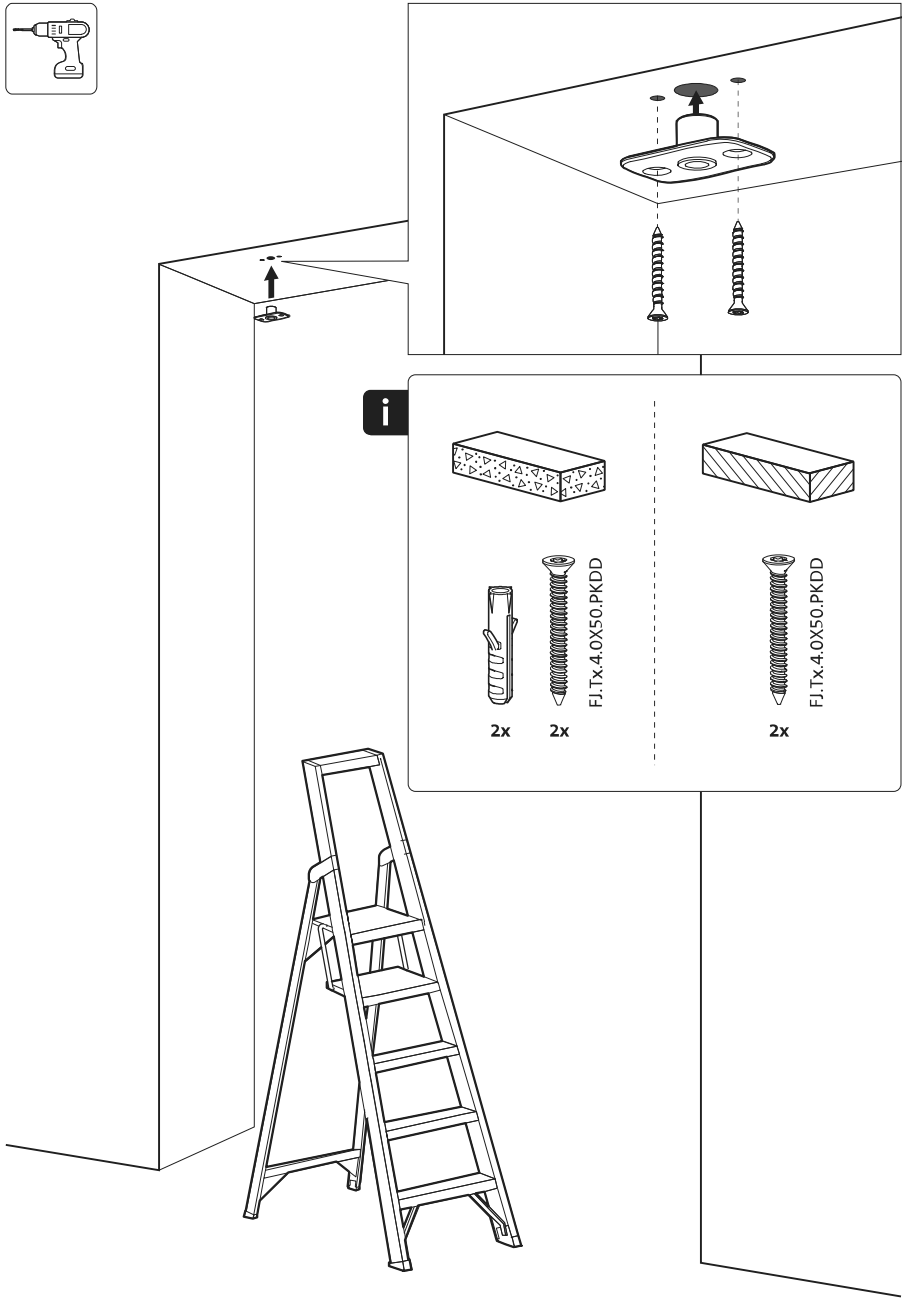


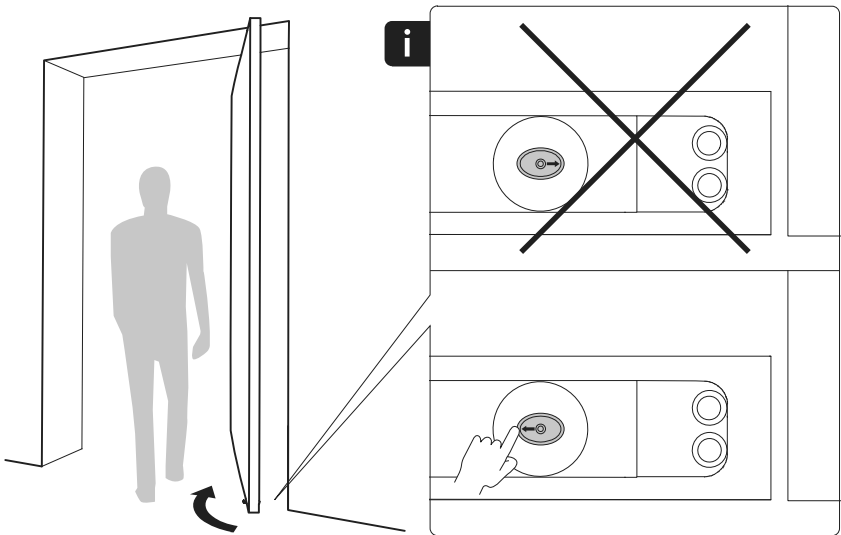
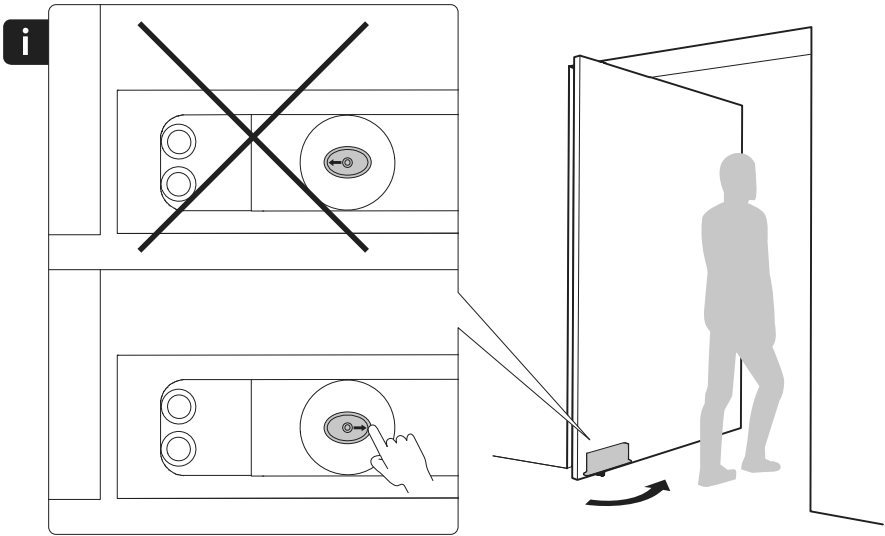
1

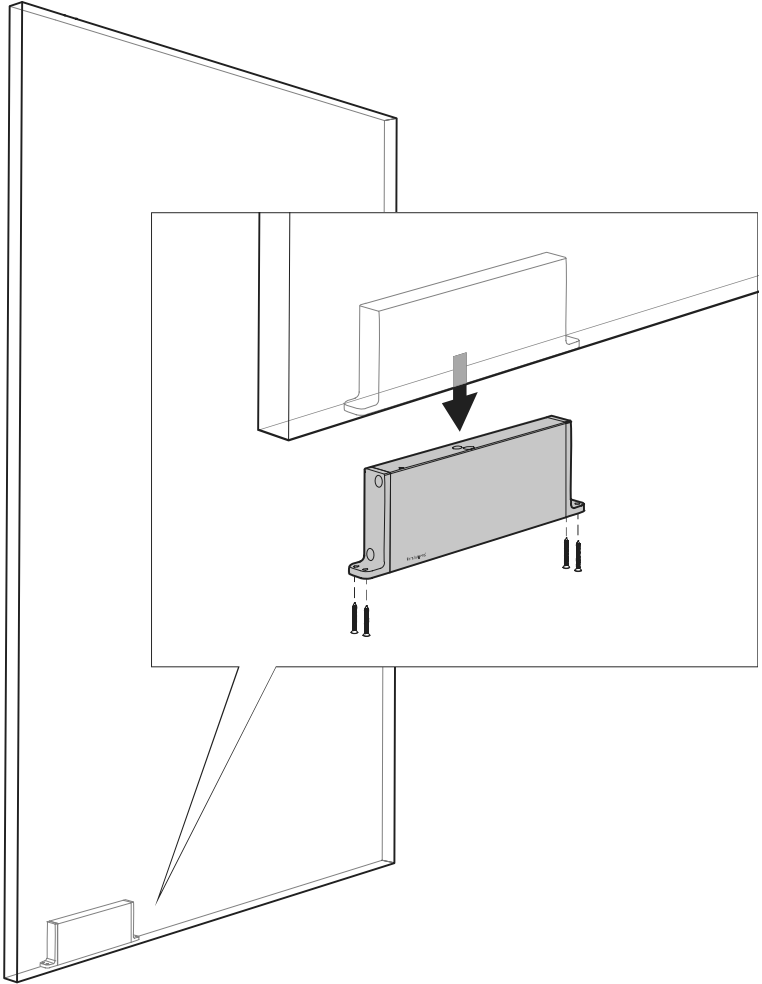


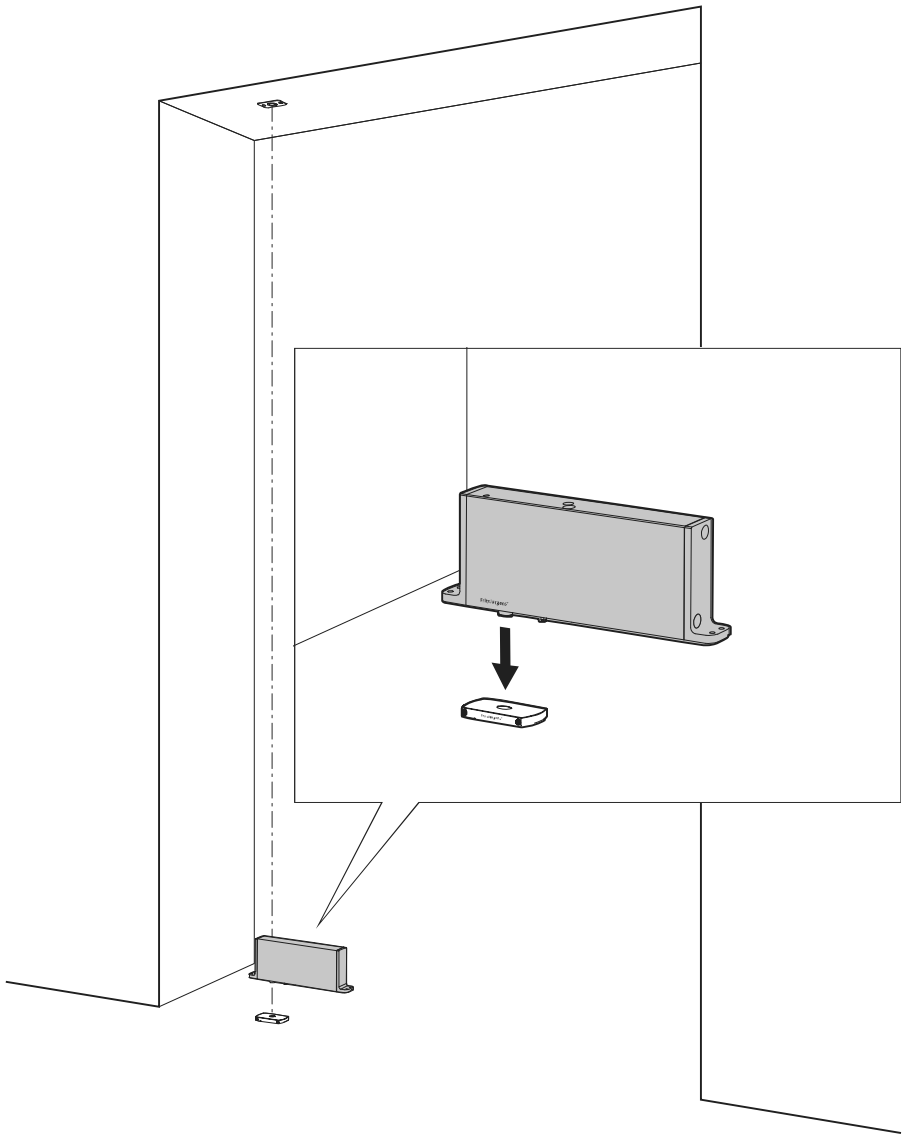
2

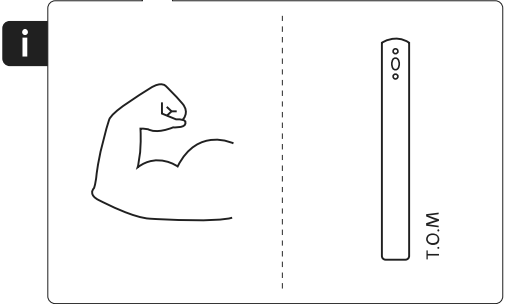
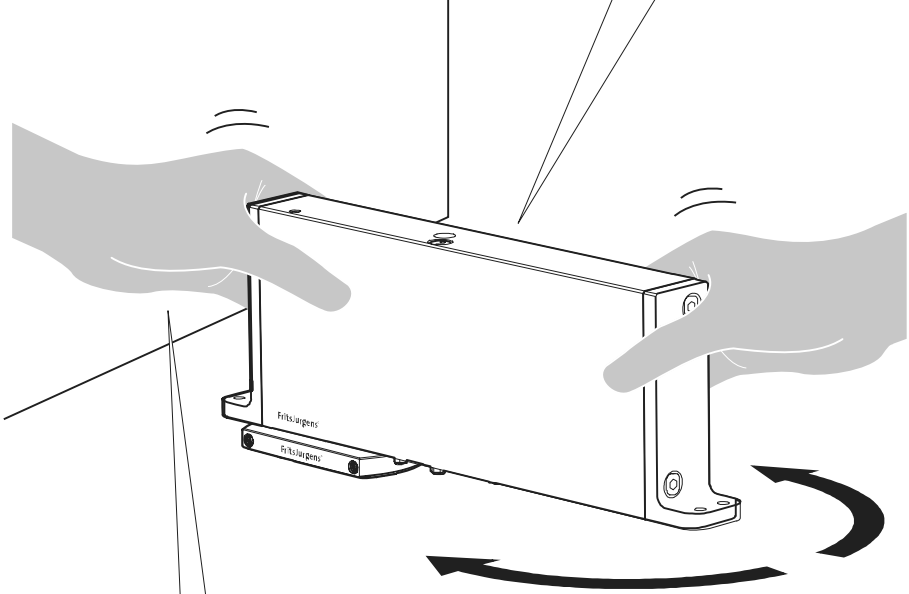
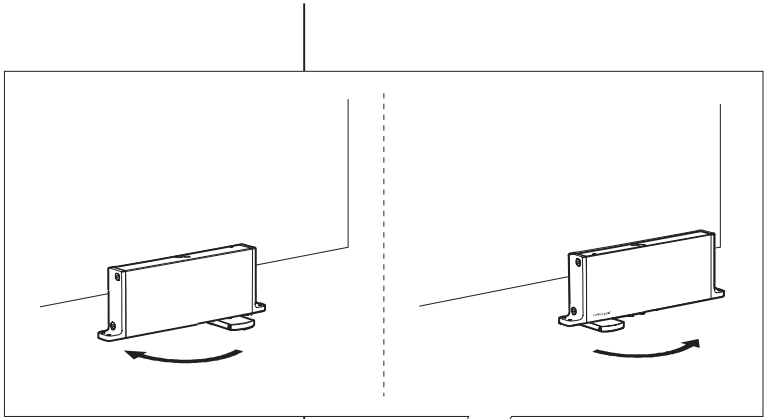


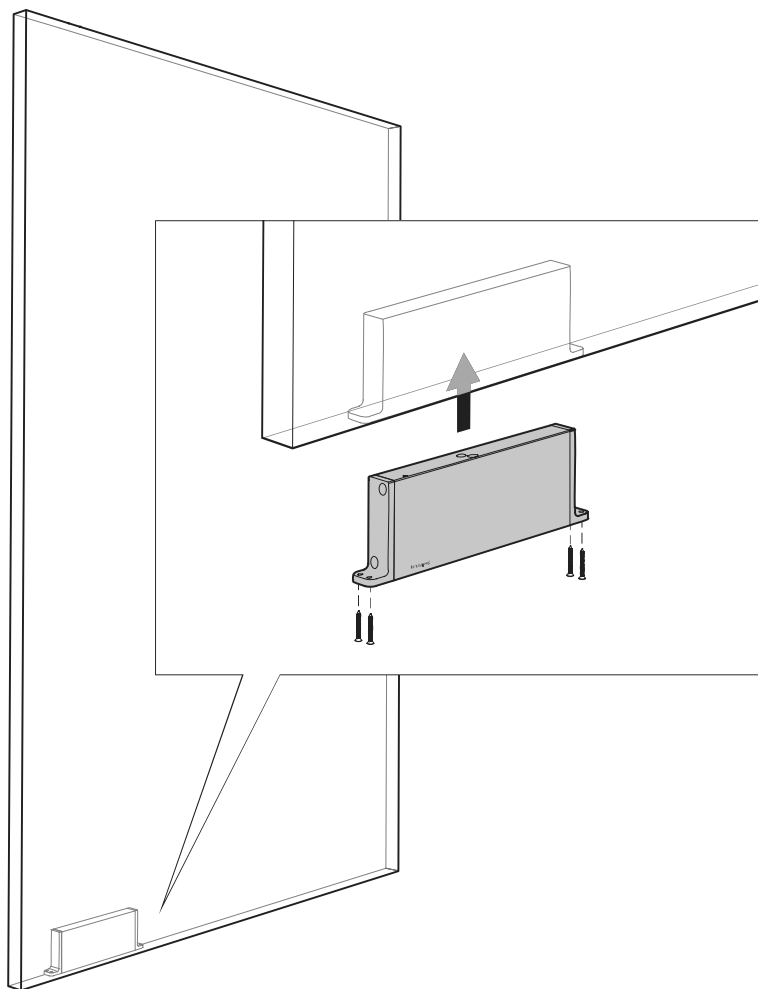


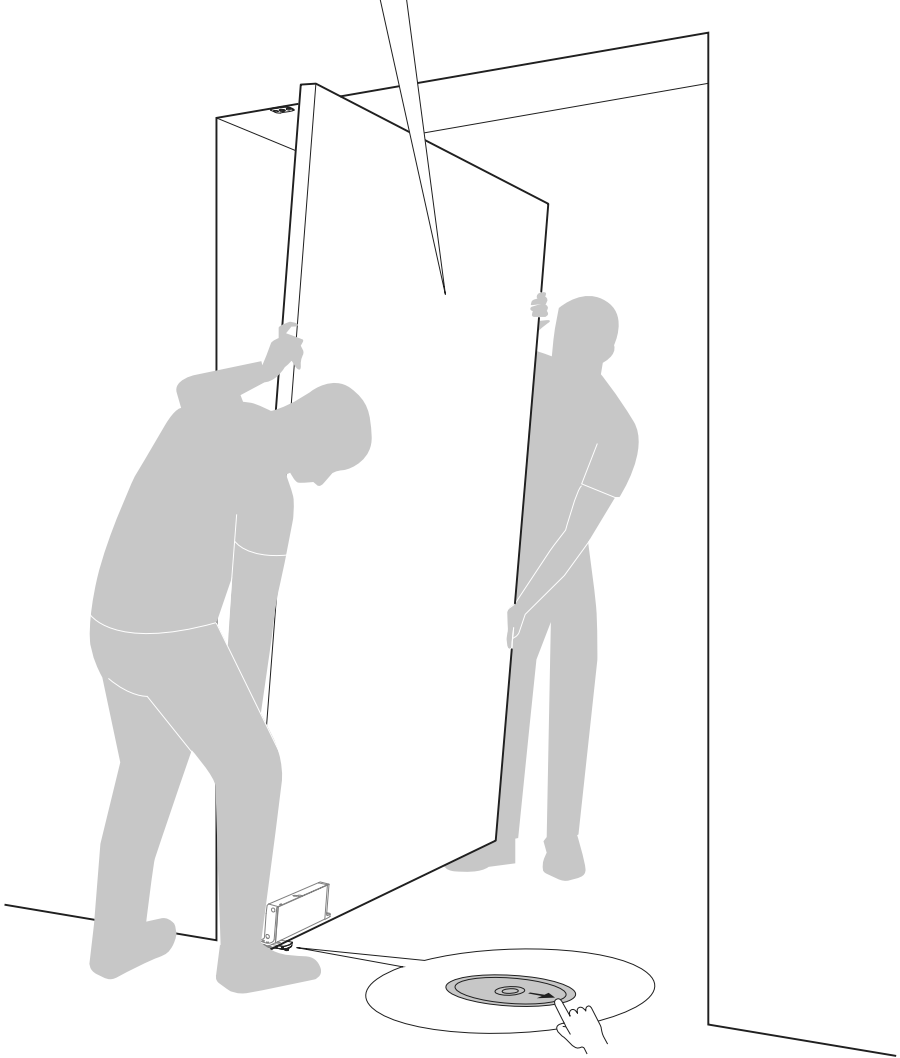
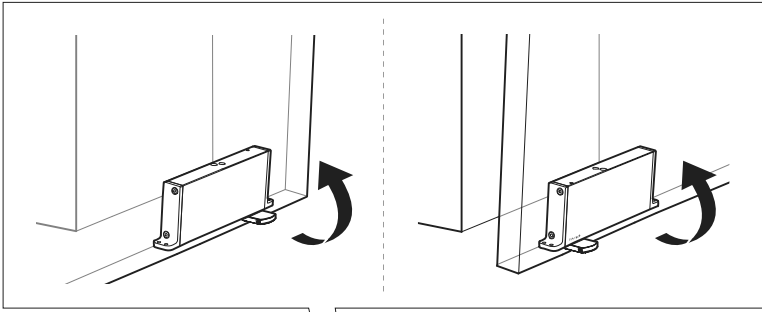


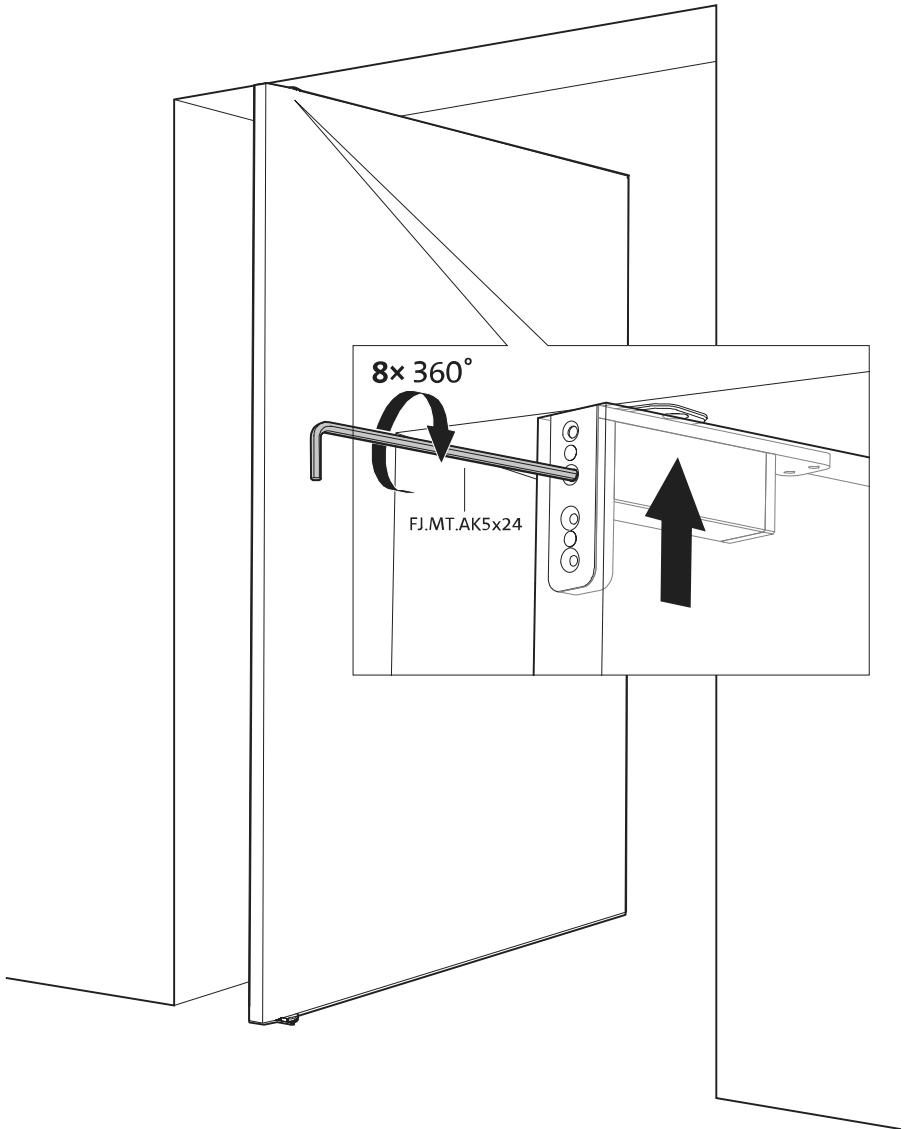
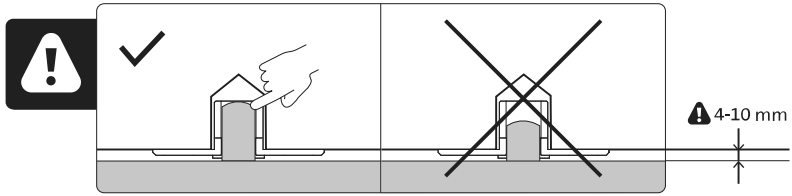


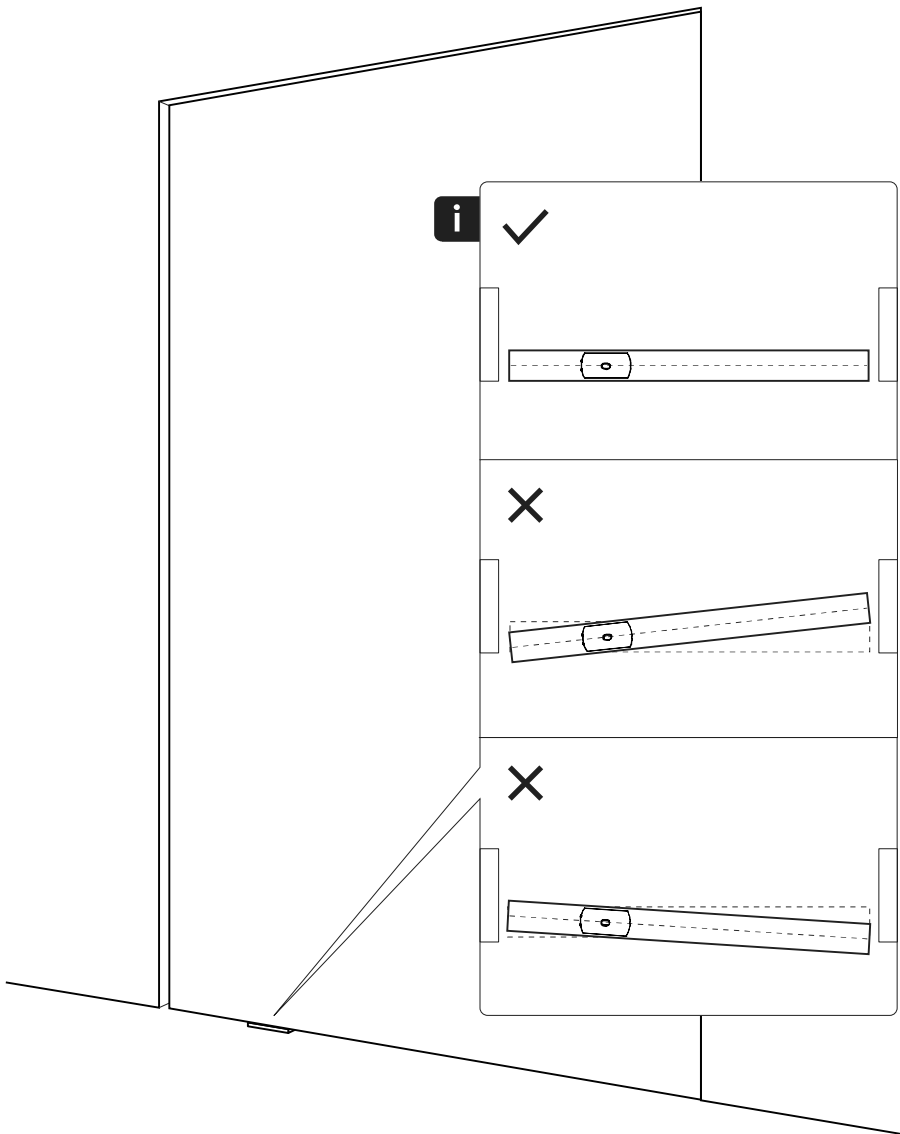


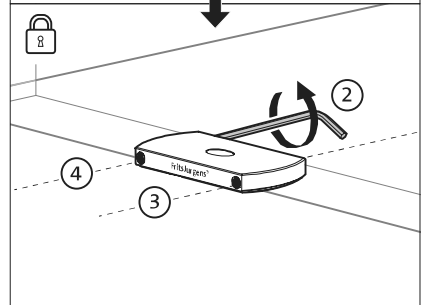
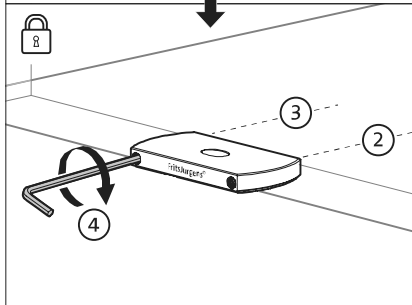
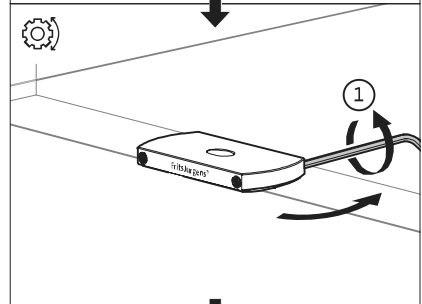
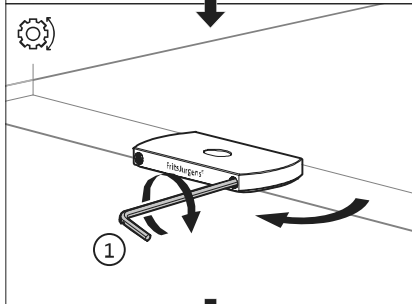
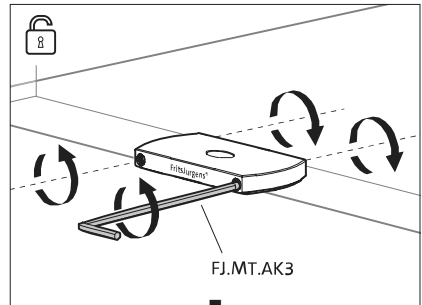
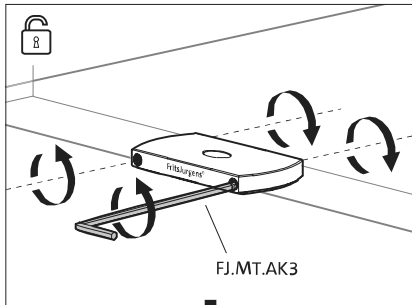
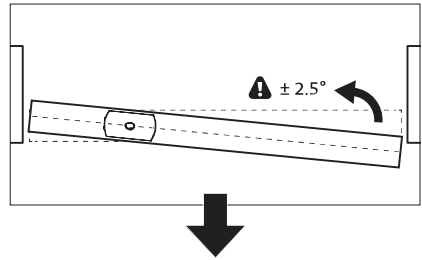
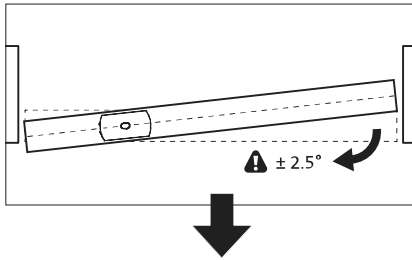


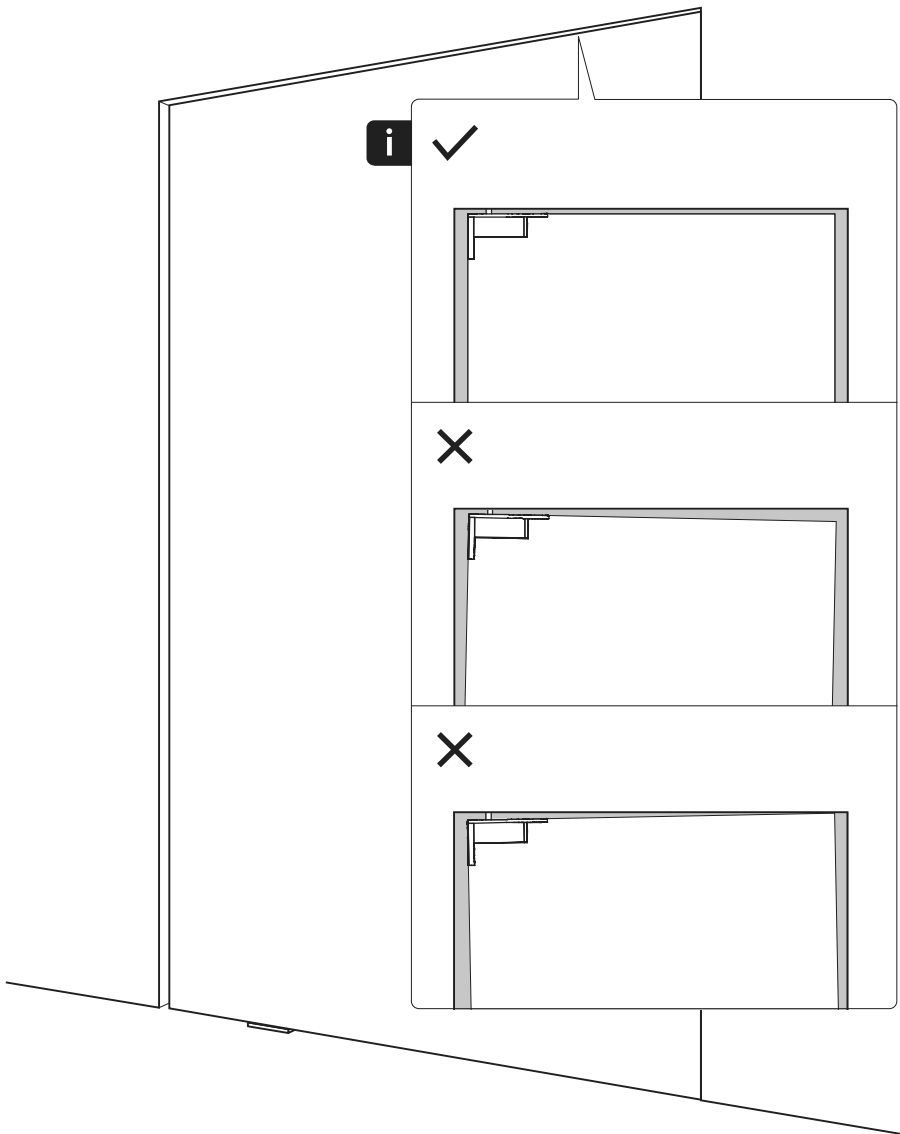


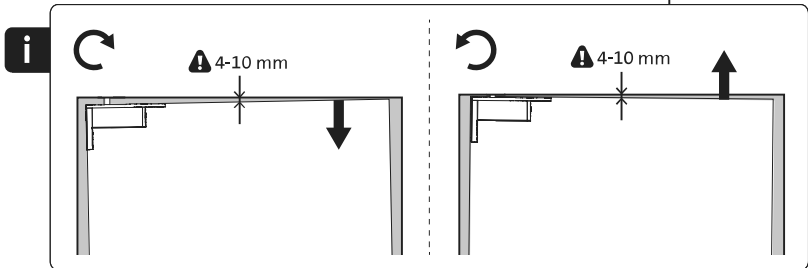
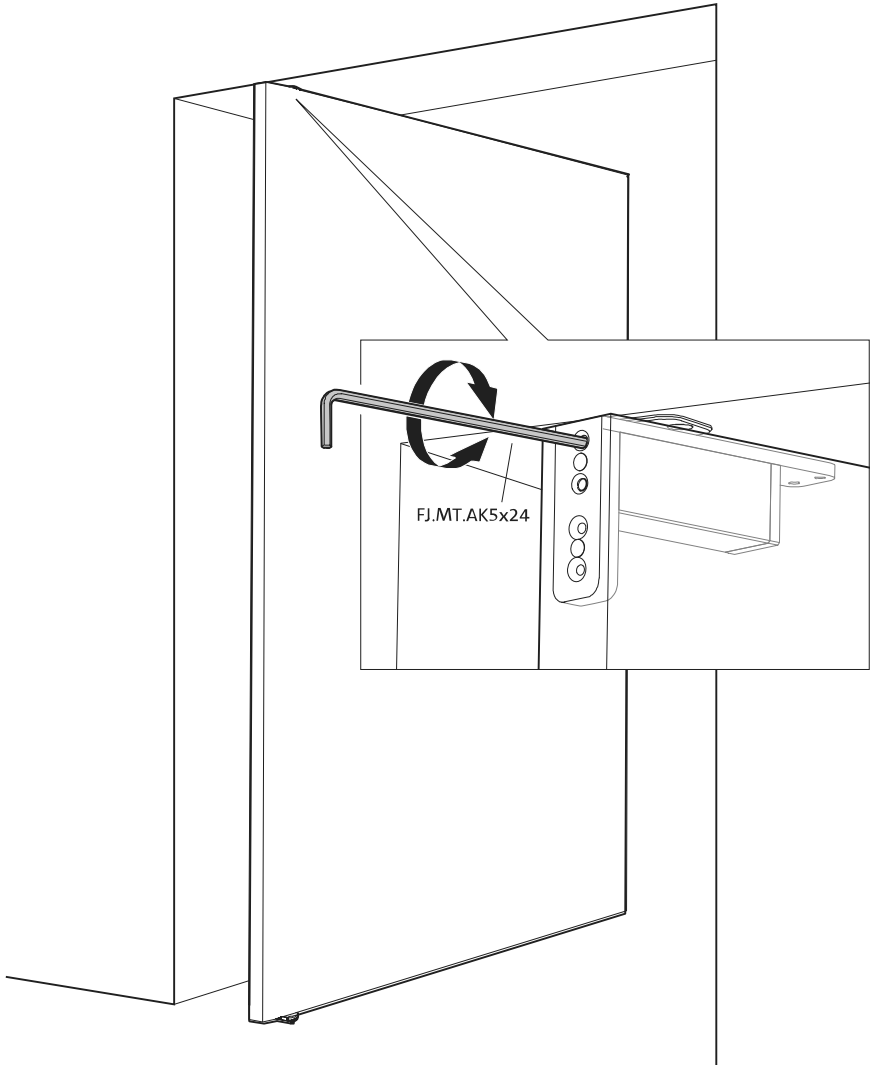


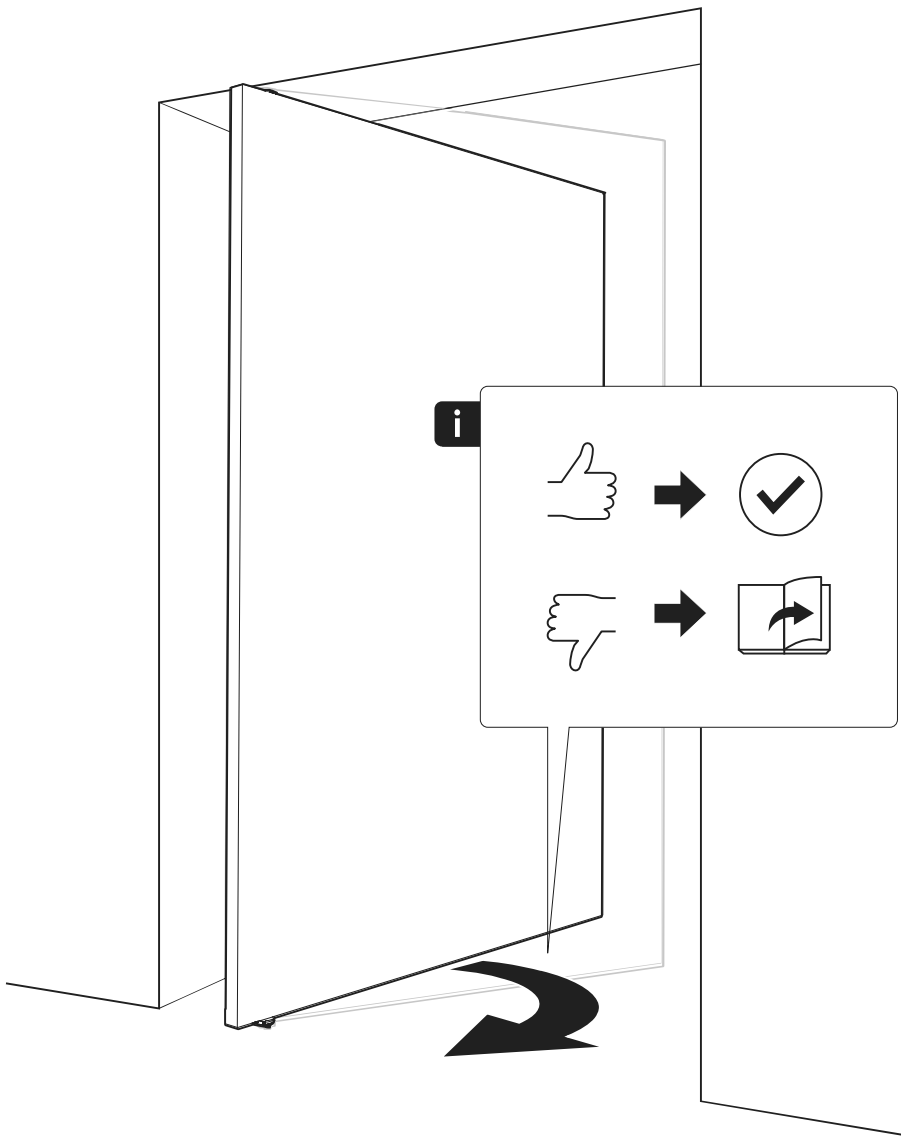






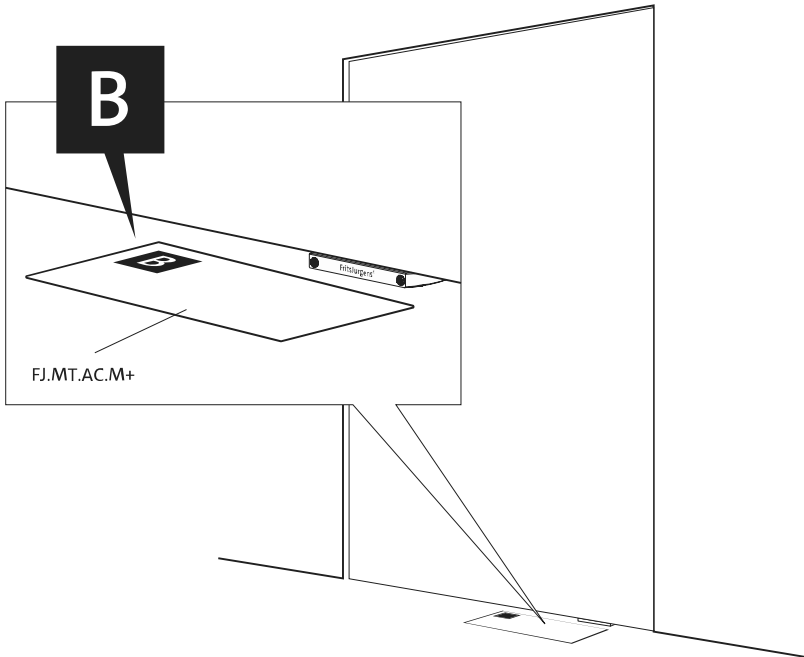
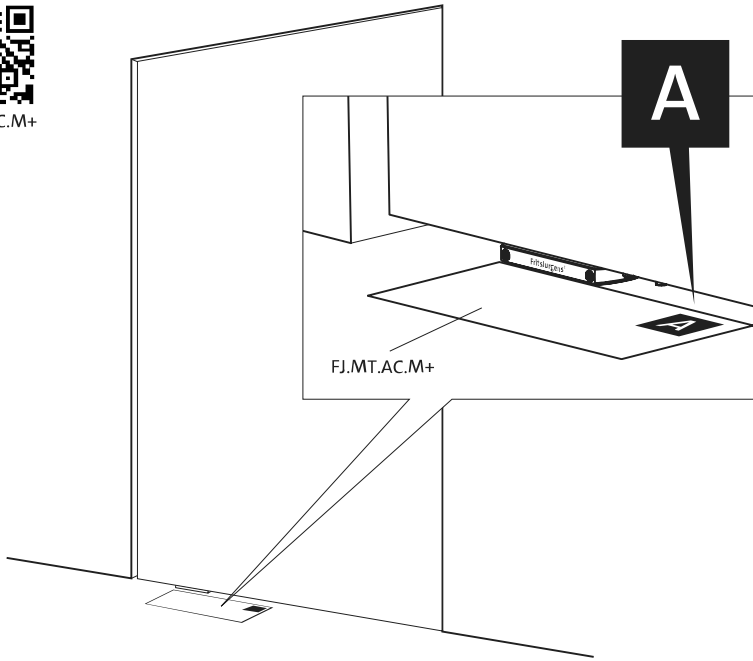


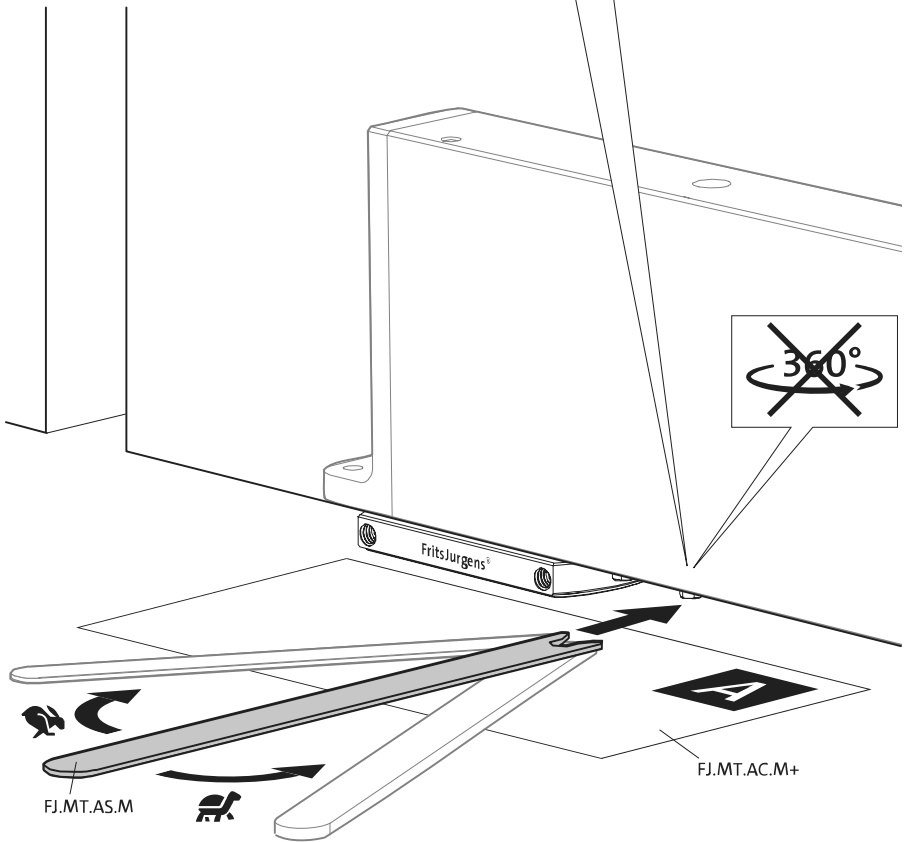
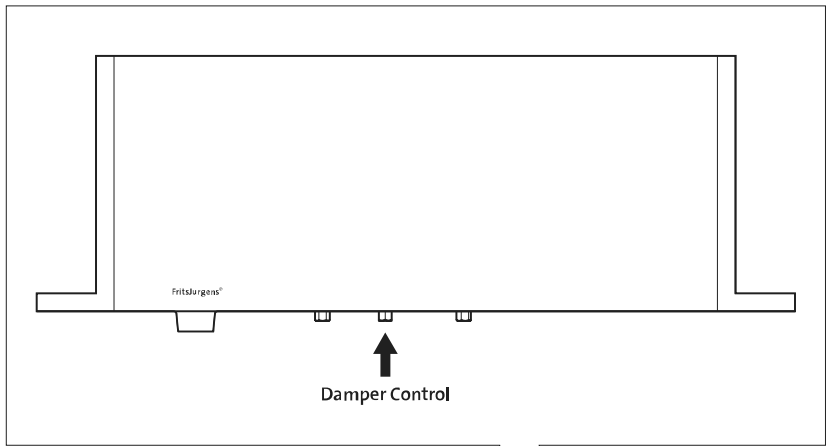


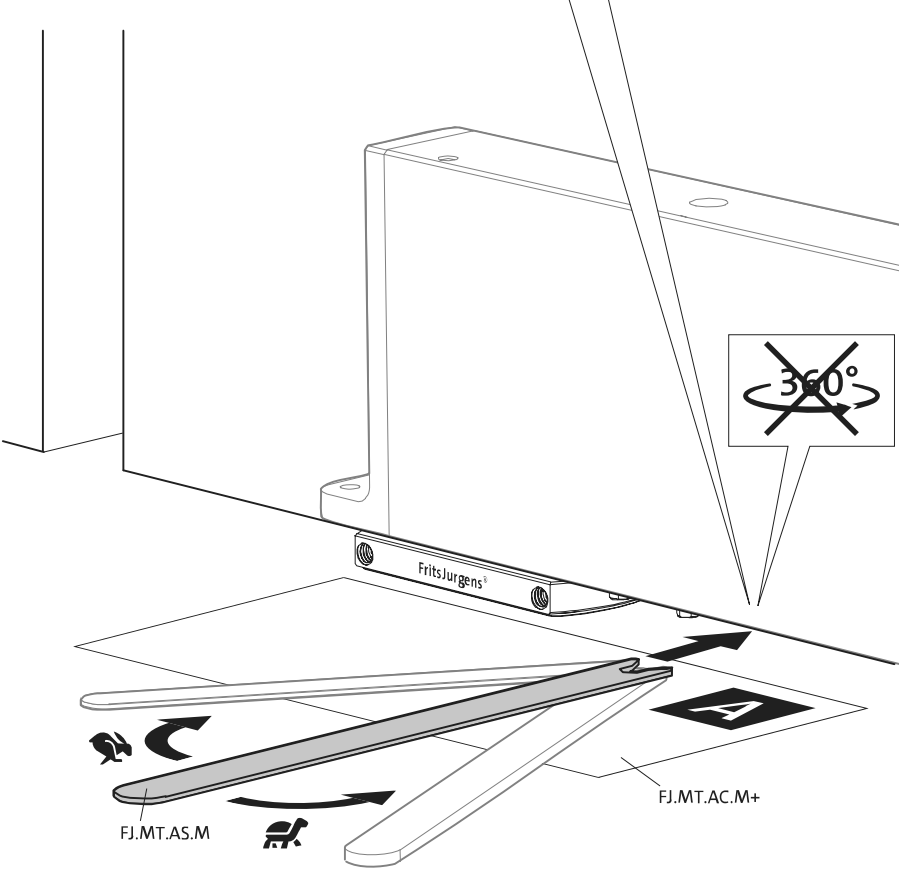
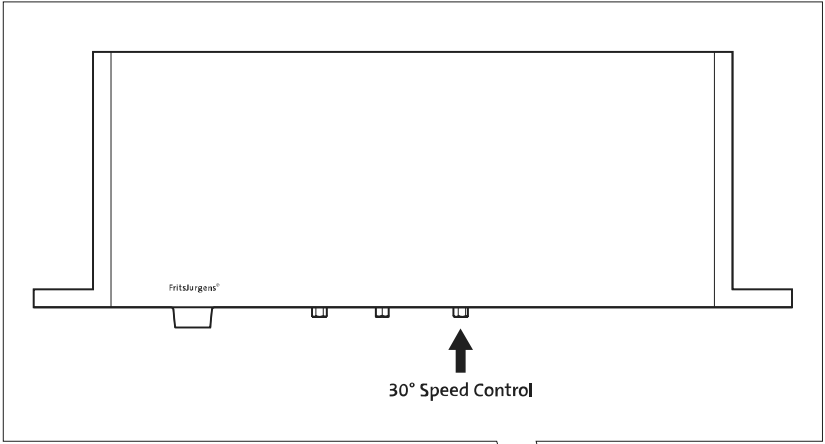


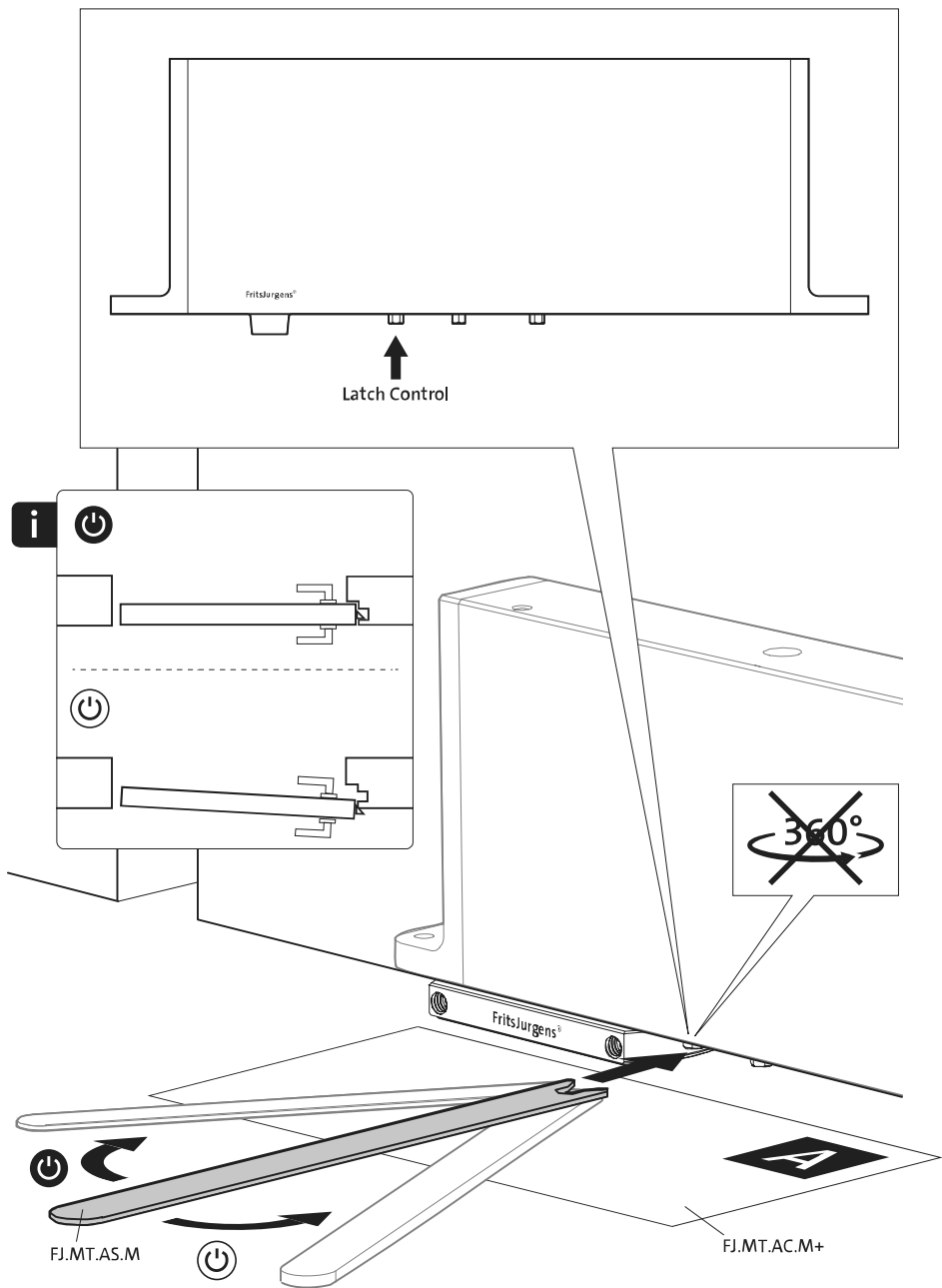


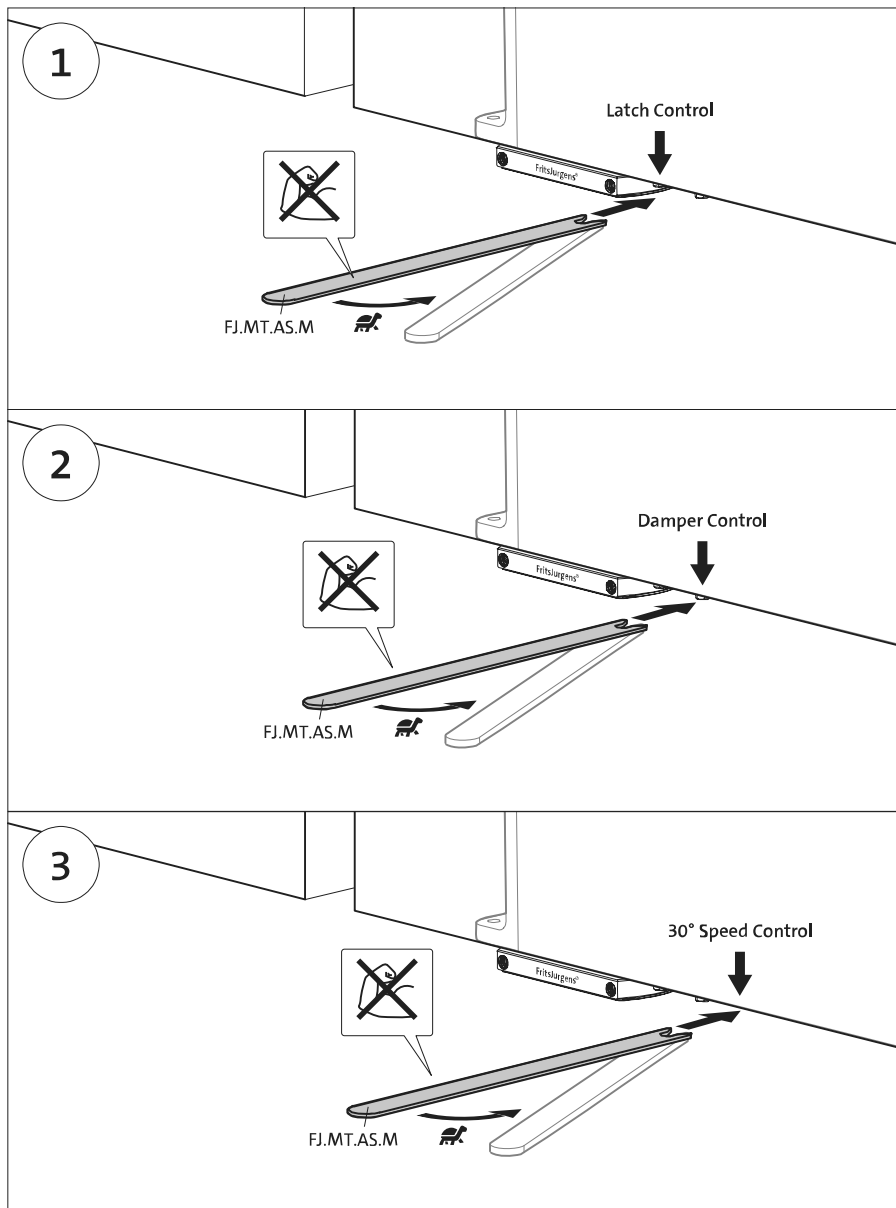
FJ.MT.AC.M+

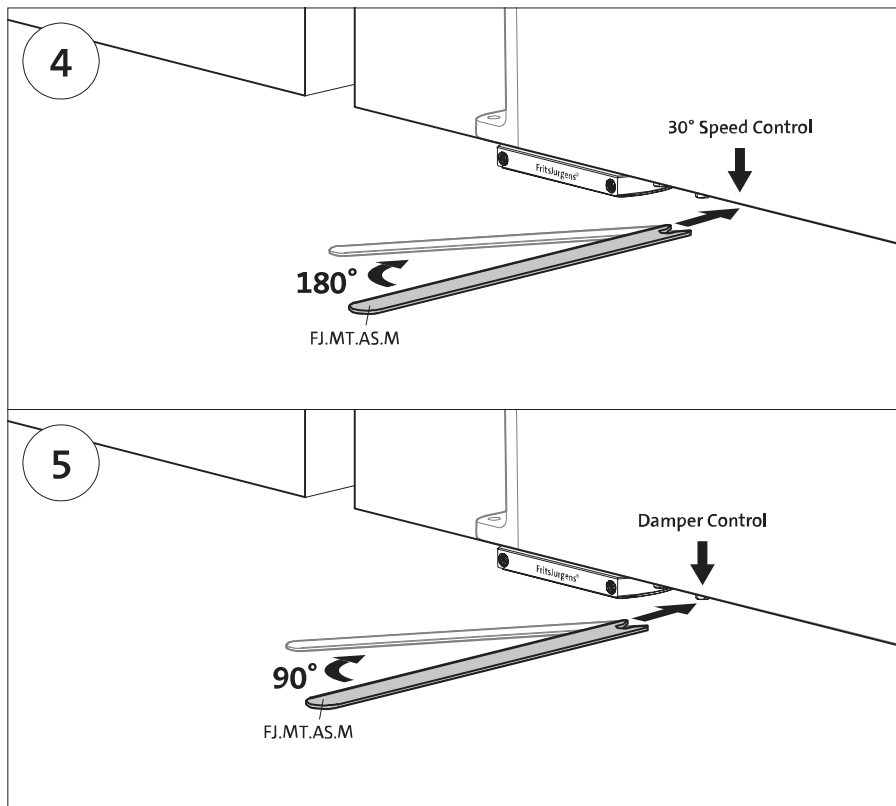




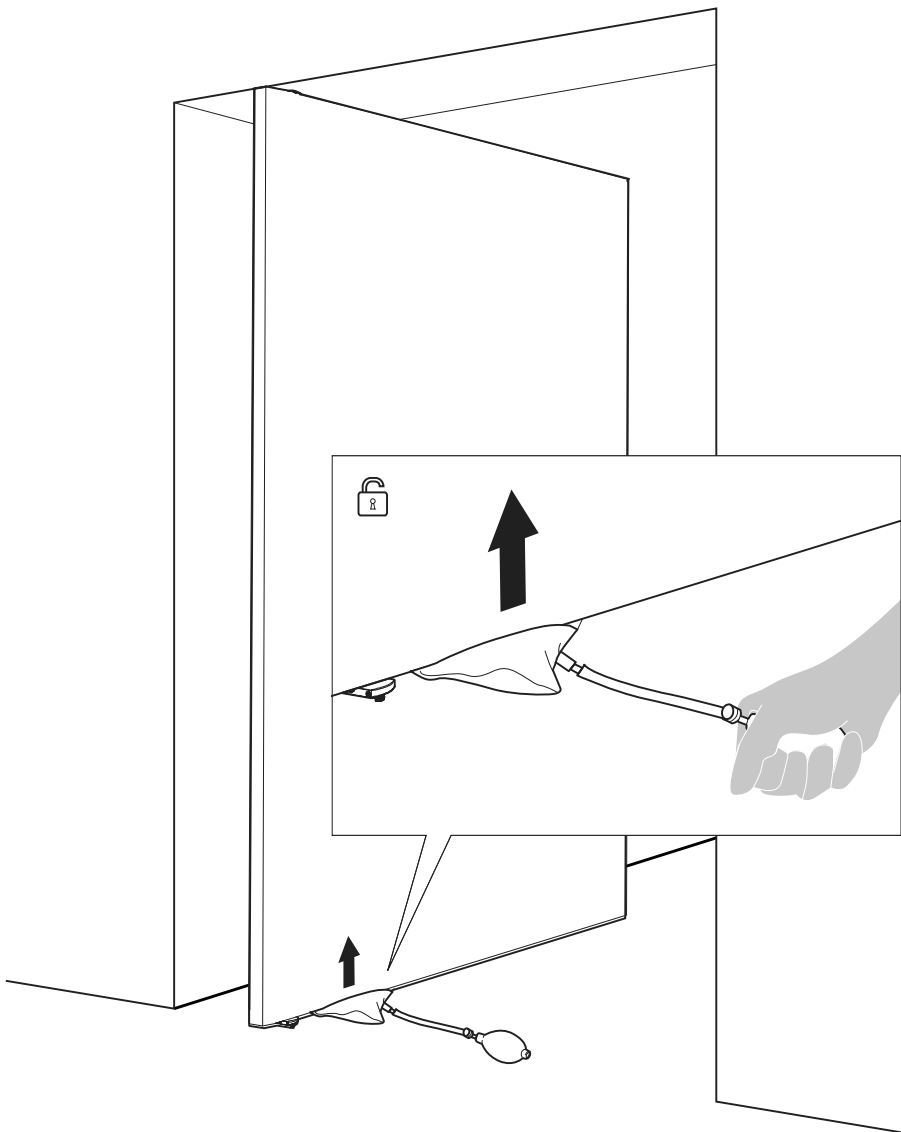


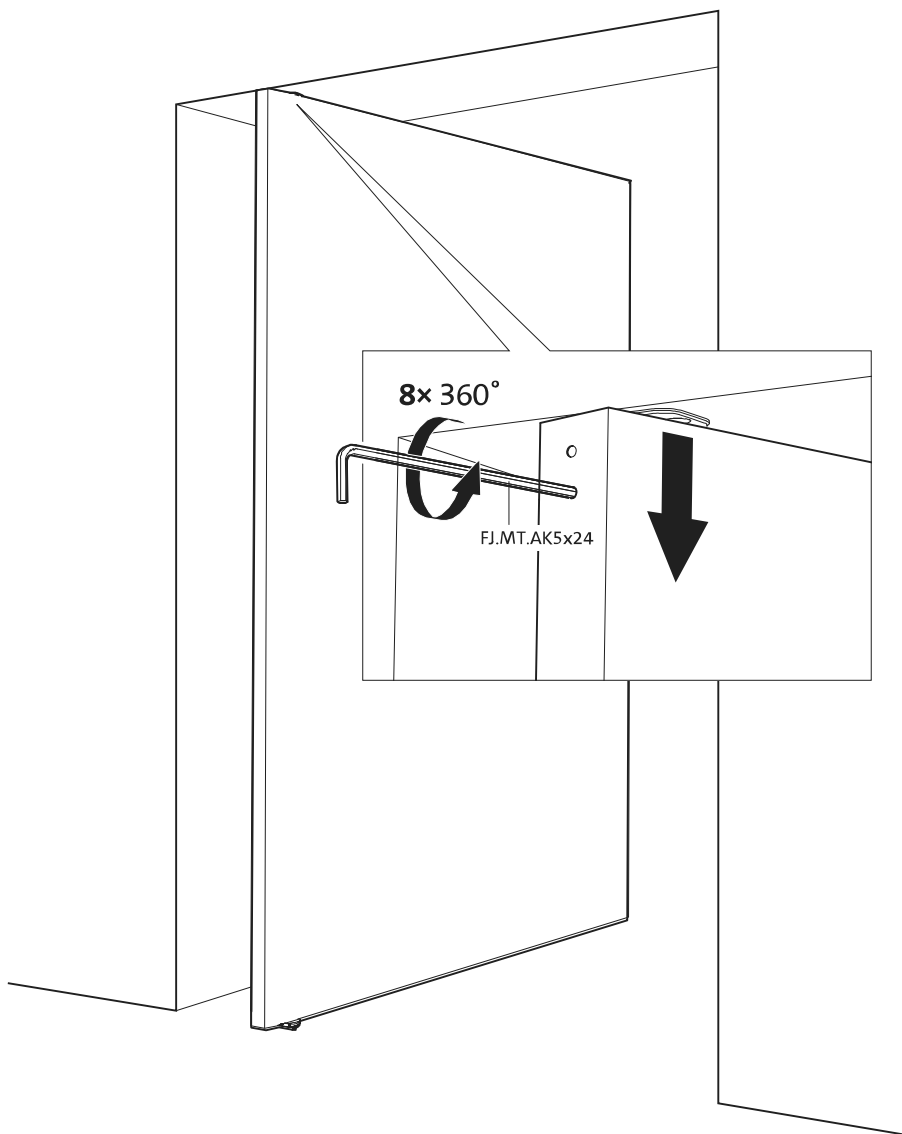


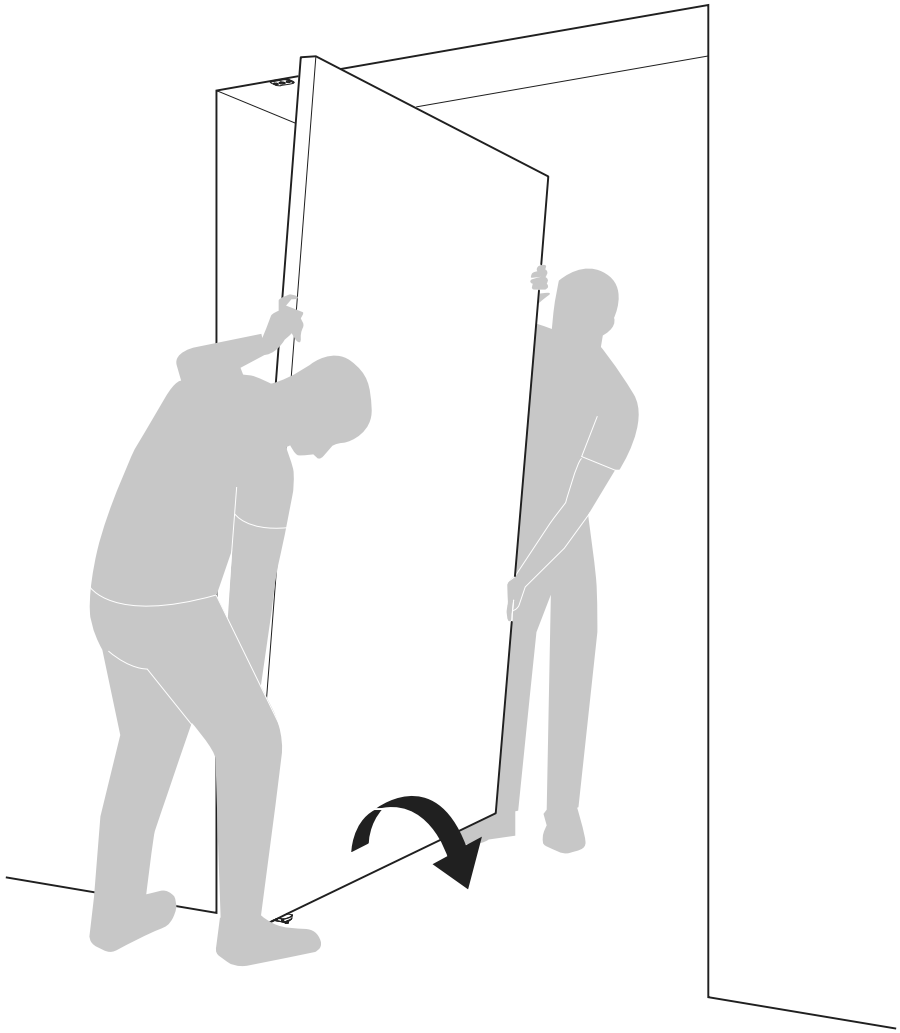




Instructions de démontage







FritsJurgens International

A. Einsteinlaan 1

Les Pays-Bas

9615 TE Kolham

+31 598 343 410

info@fritsjurgens.com

FritsJurgens Dubai Branch

DLC-OP-A2-4-0029

Dubai South

Dubai

Émirats Arabes Unis

+971 4 820 8106

+971 58 137 2611

dubai@fritsjurgens.com

fritsjurgens.com

Copyright © FritsJurgens®
B.P.M.+40.C.X.SS



