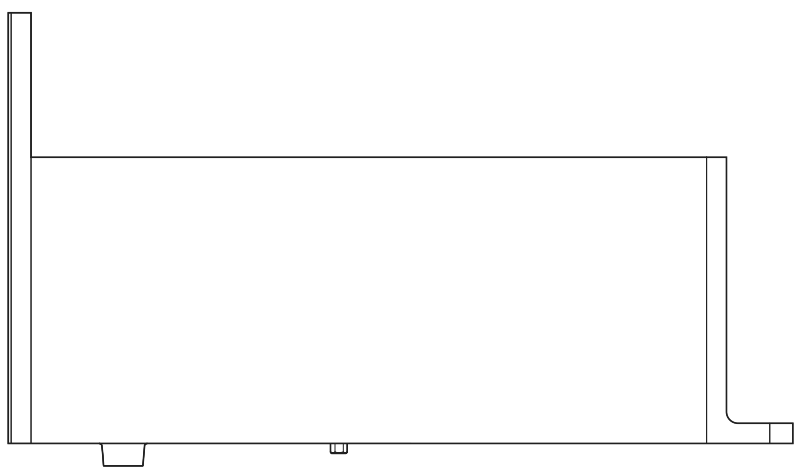
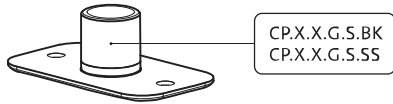


System M

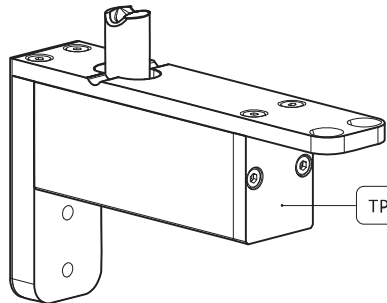
Manuale di fresatura e montaggio

FritsJurgens Kit - 40 mm Classe C - acciaio inox

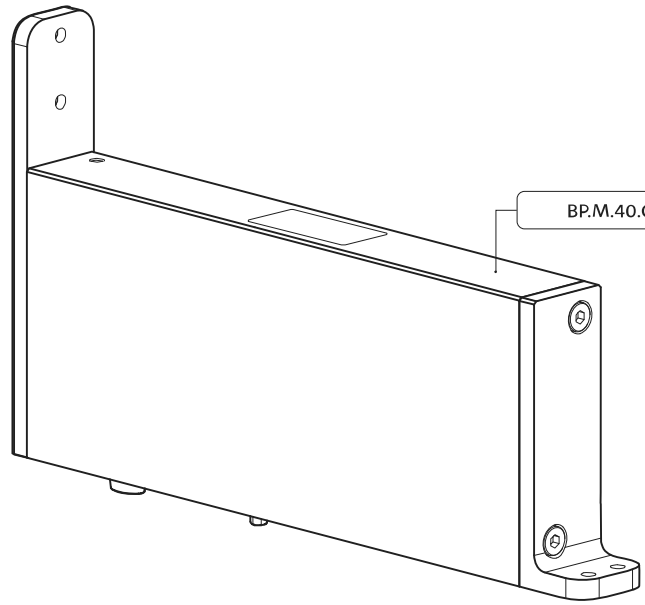




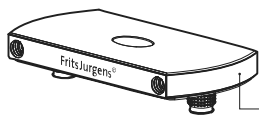
CP.X.X.G.S.BK
CP.X.X.G.S.SS



TP.X.40.G.X.SS



BP.M.40.C.X.SS



FP.M.X.X.S.BK
FP.M.X.X.S.SS



FP.M.X.X.FS.SS



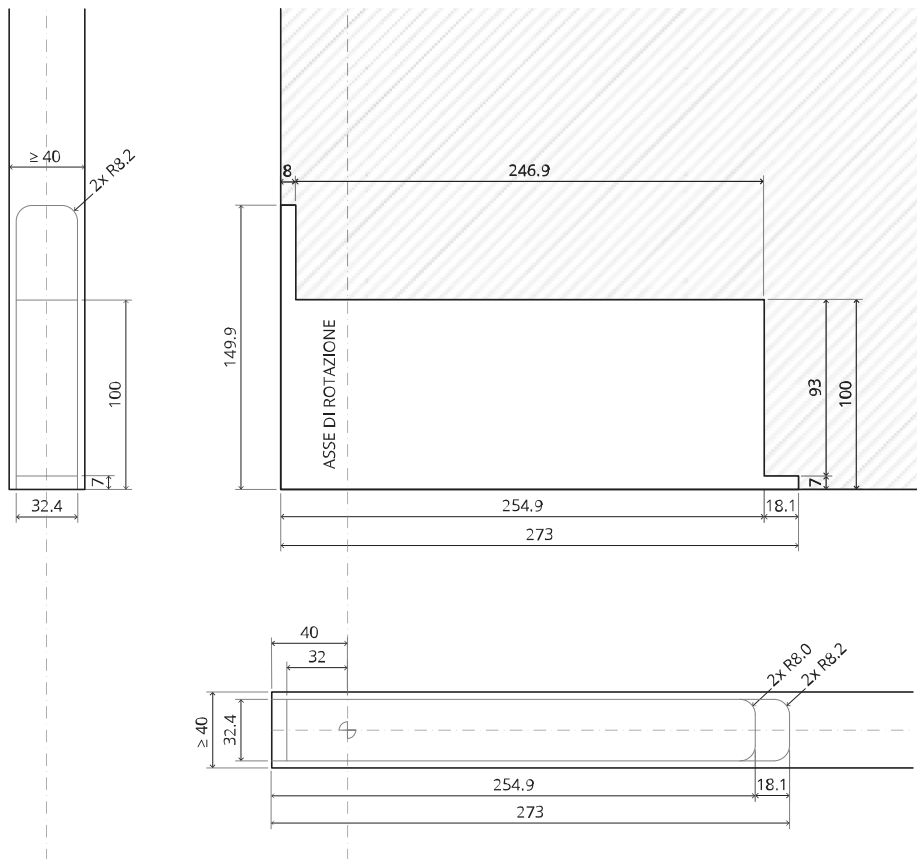
FP.M.X.X.FR.SS

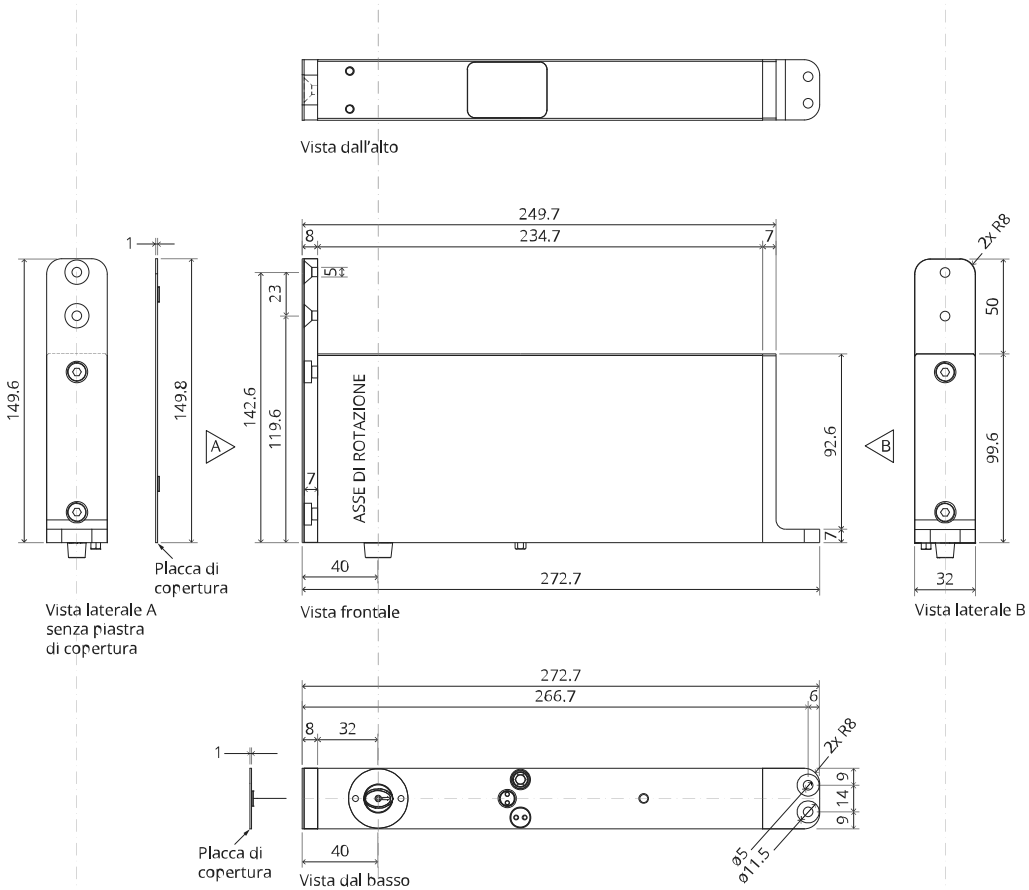


FP.M.X.X.R.SS
FP.M.X.X.R.BK

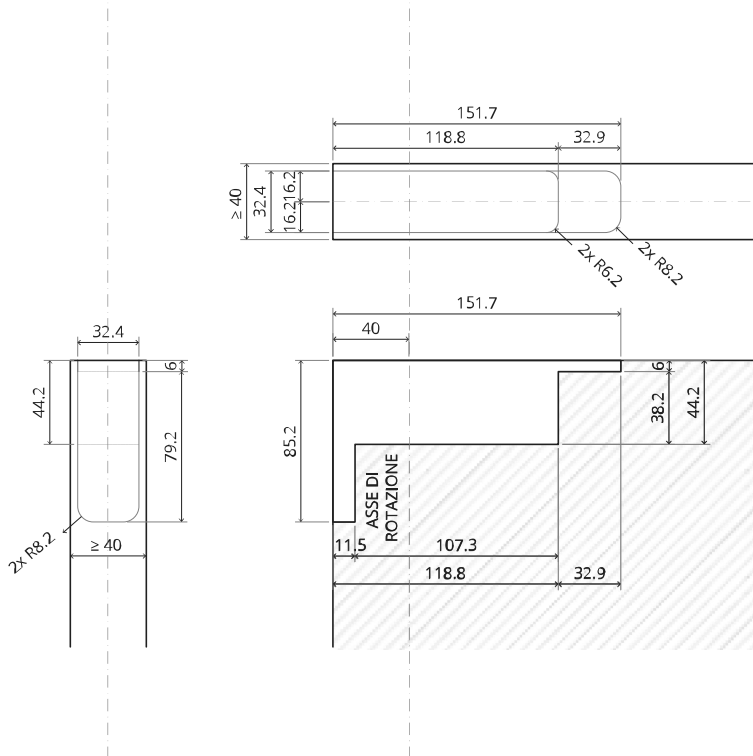
Istruzioni di fresatura

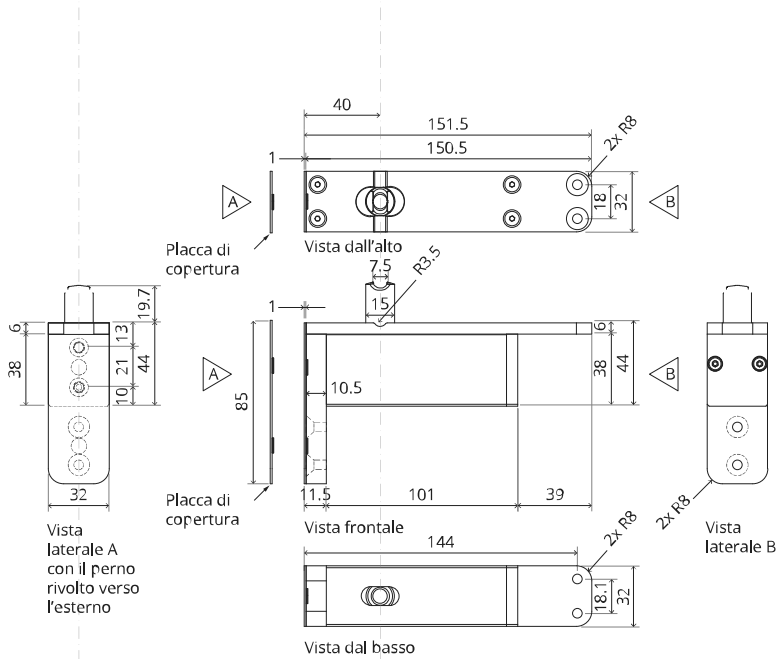
BP.M.40.C.X.SS



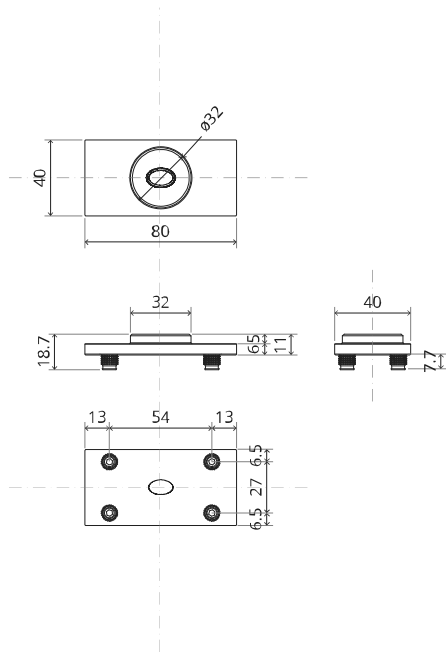
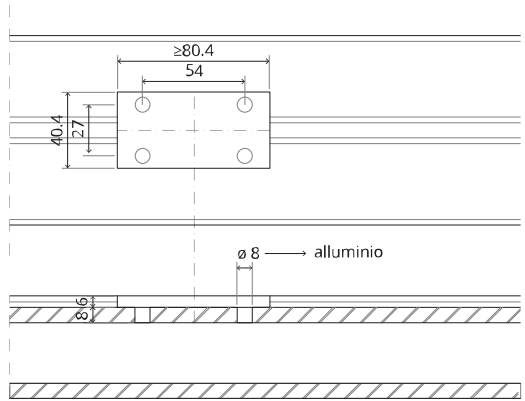


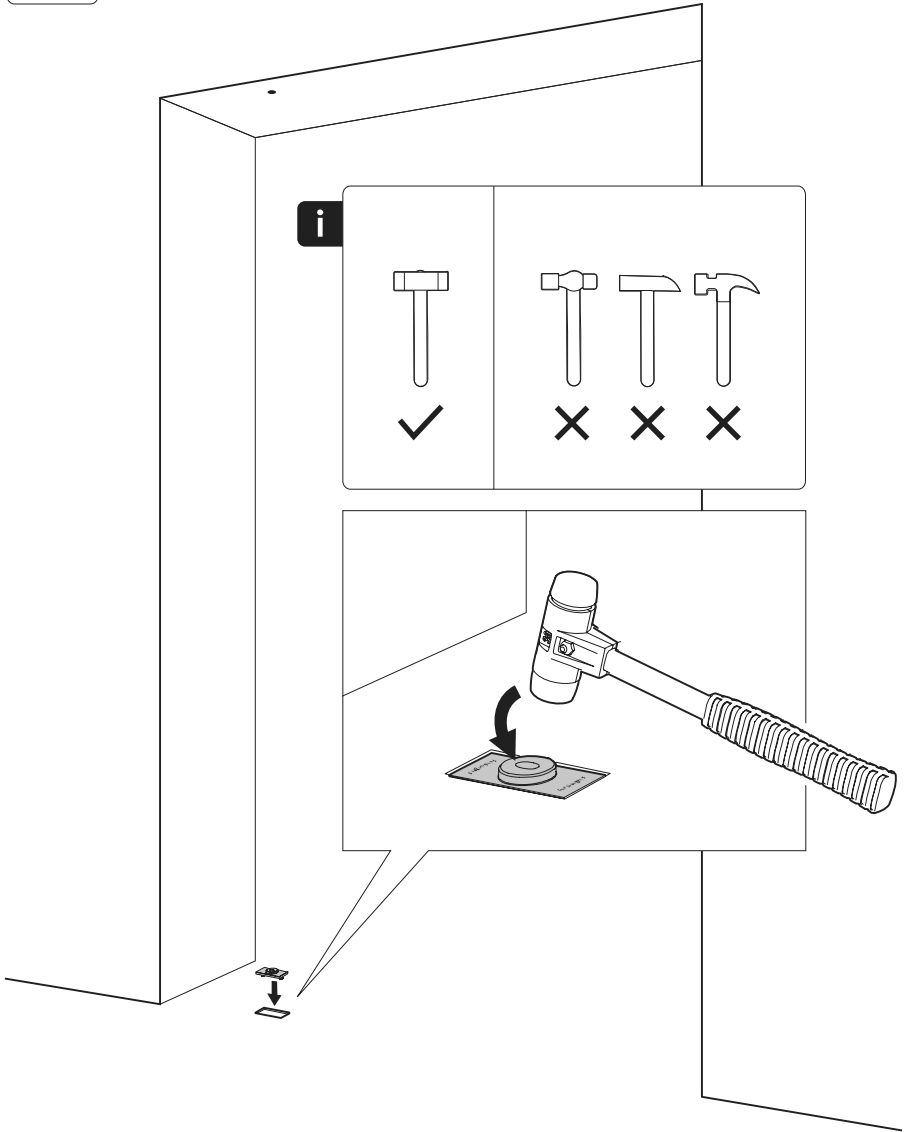
TP.X.40.G.X.SS



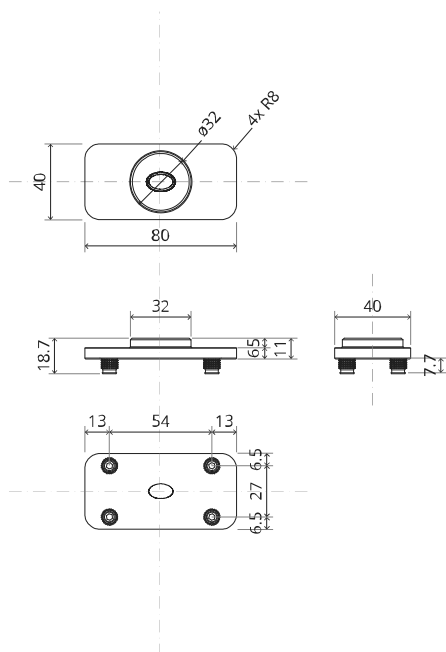
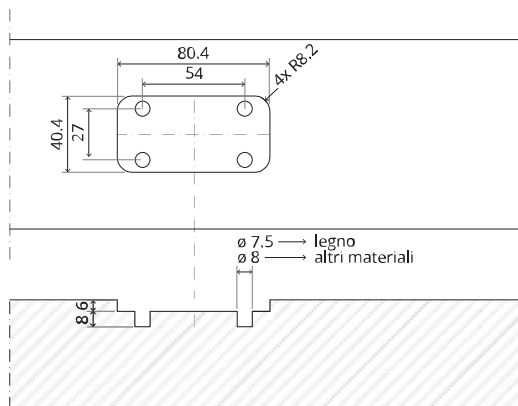


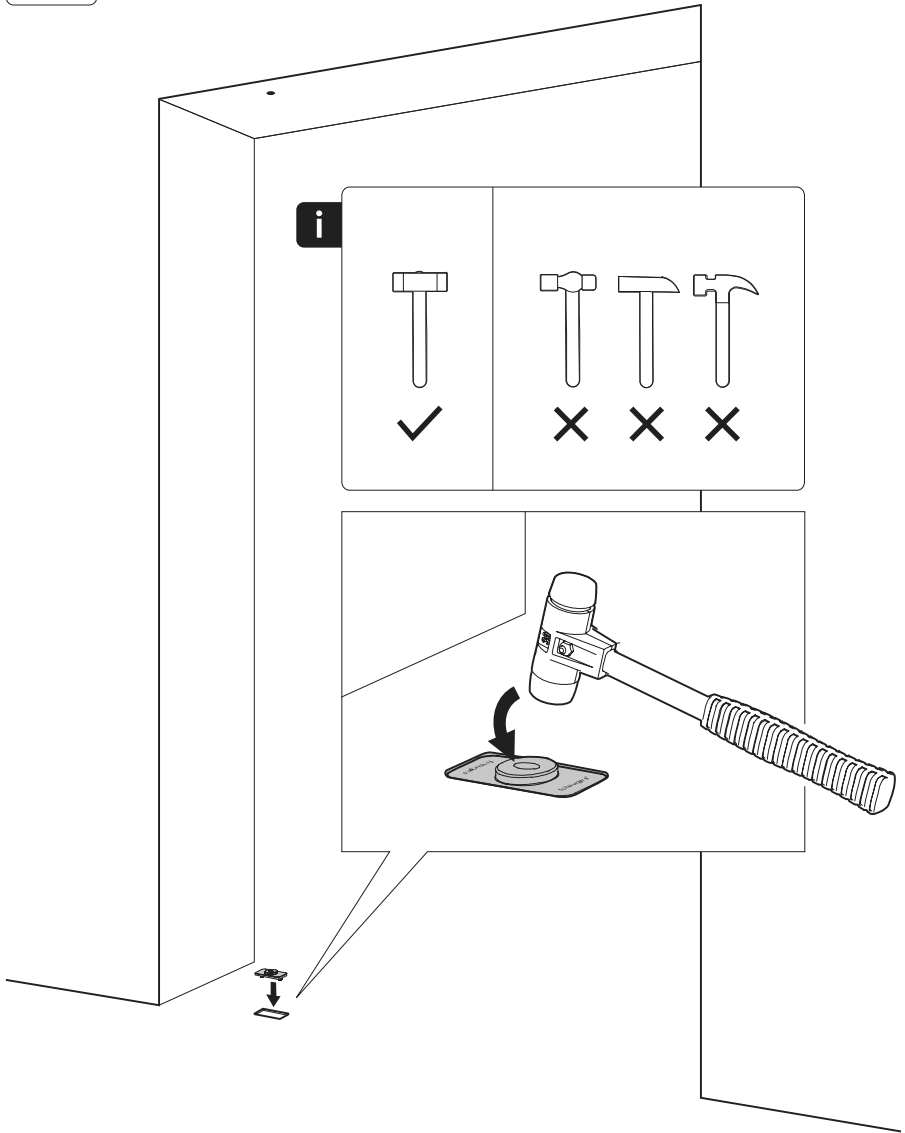
FP.M.X.X.FS.SS



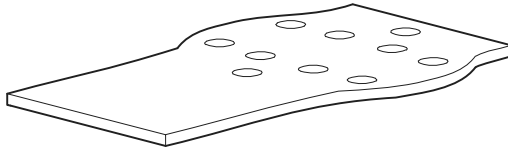


FP.M.X.X.FR.SS





Istruzioni di montaggio



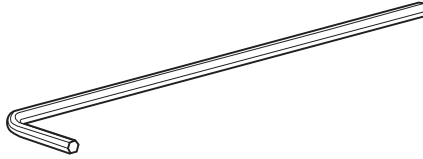
FJ.MT.DT.M



FJ.MT.ZS



FJ.MT.AK3



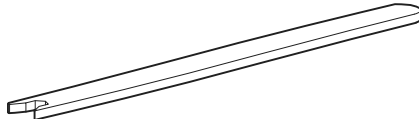
FJ.MT.AK5x24



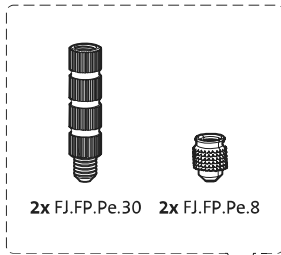
10x FJ.Tx.4.0X50.PKDD



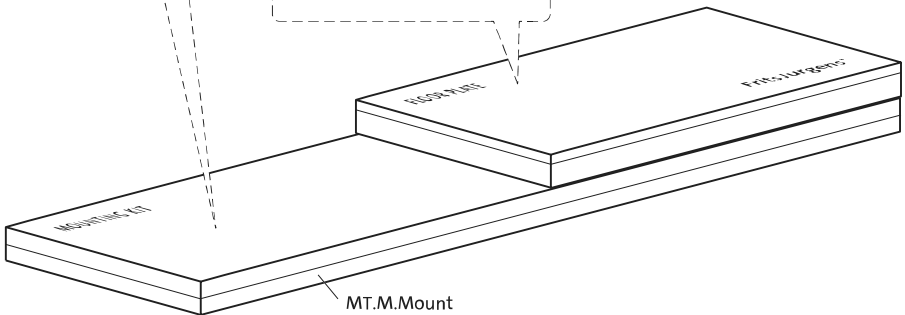
FJ.Bit.Tx20



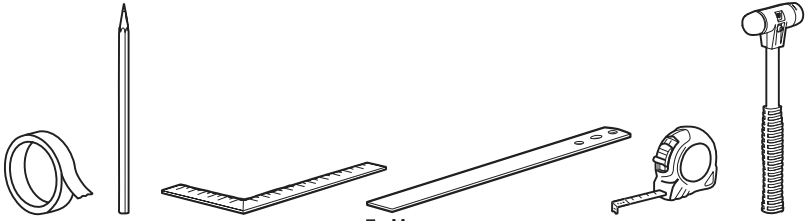
FJ.MT.AS.M



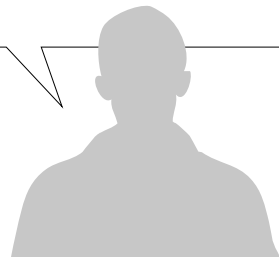
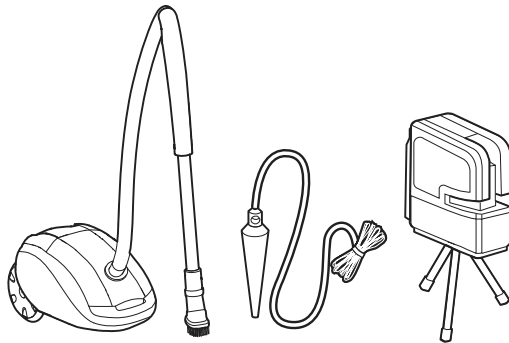
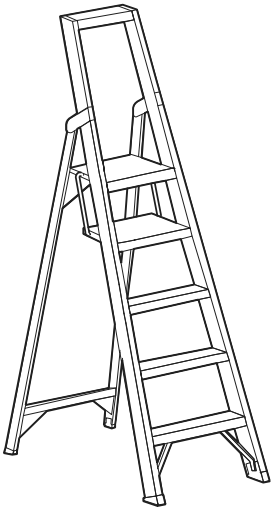
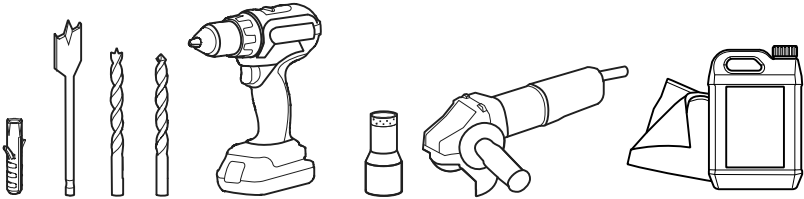
2x FJ.FP.Pe.30 2x FJ.FP.Pe.8

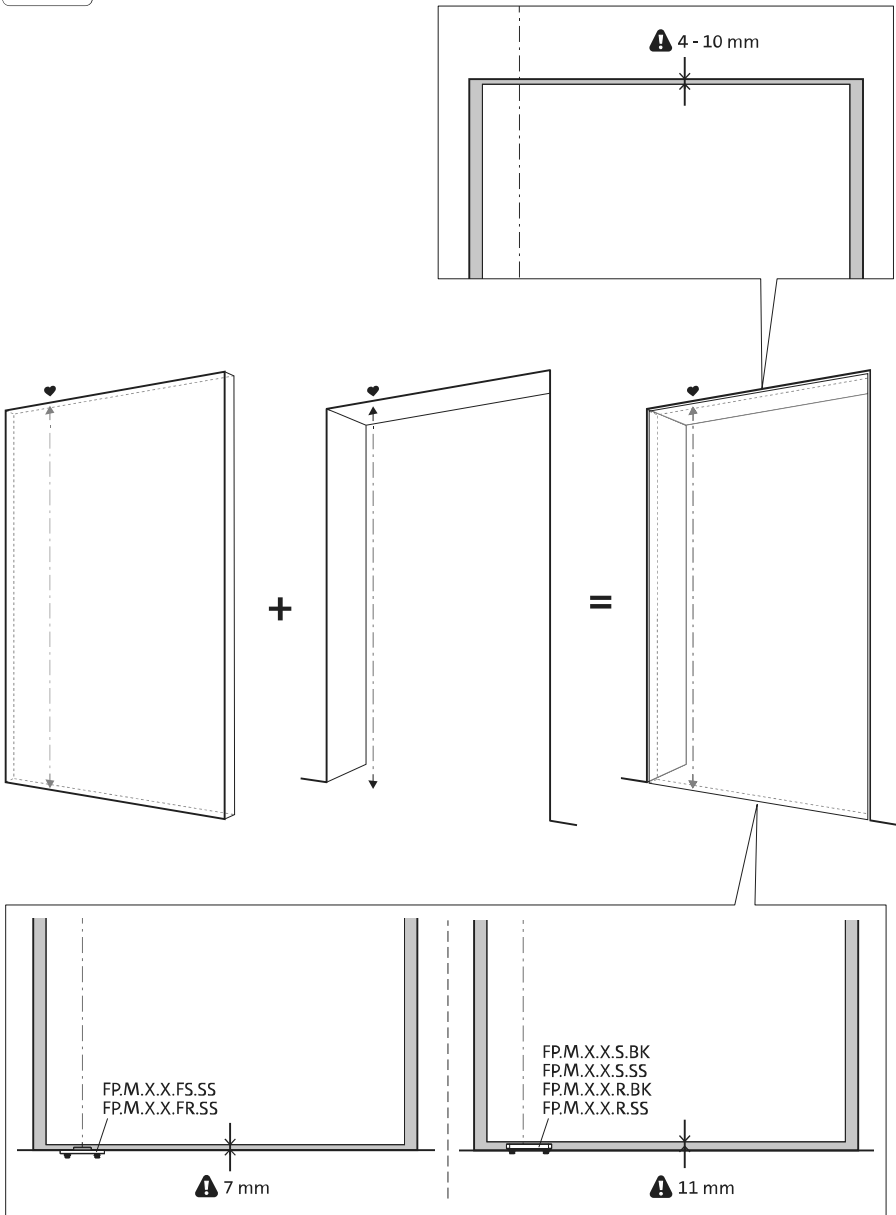


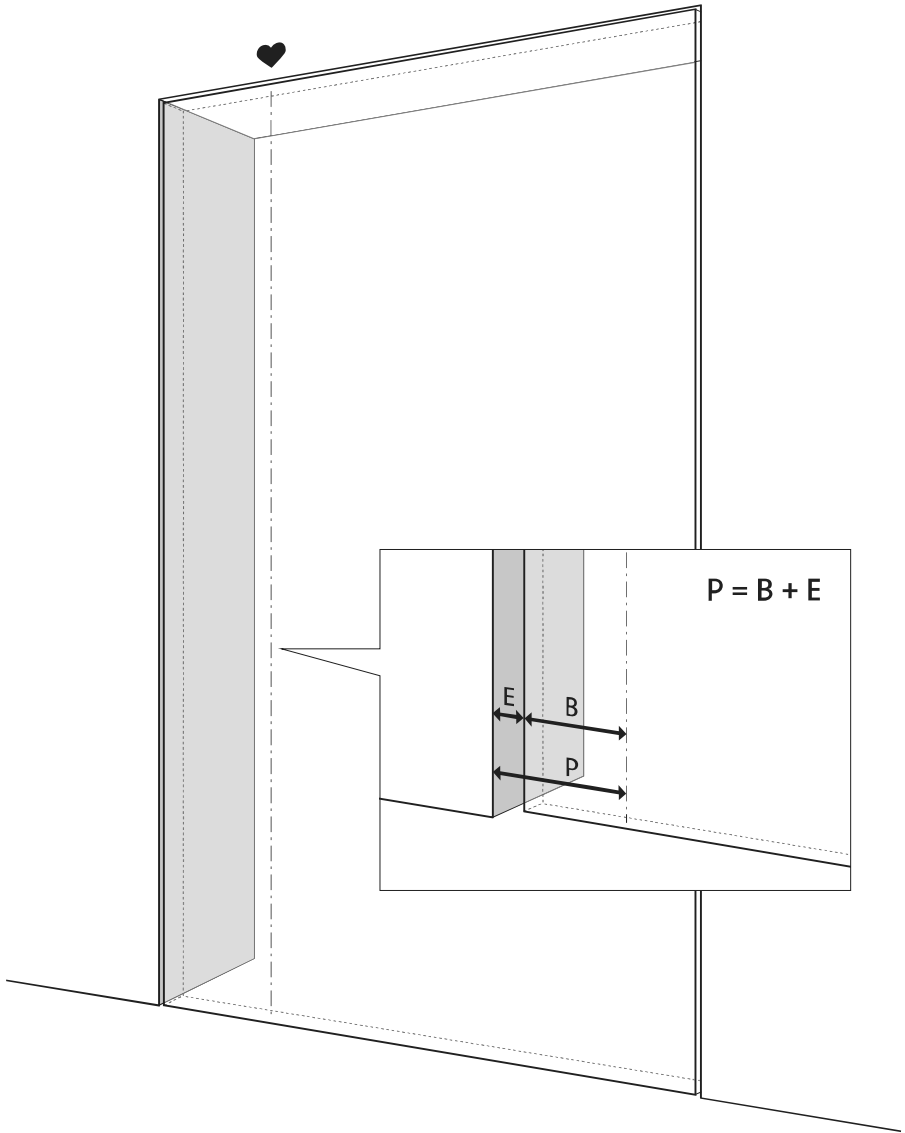
MT.M.Mount

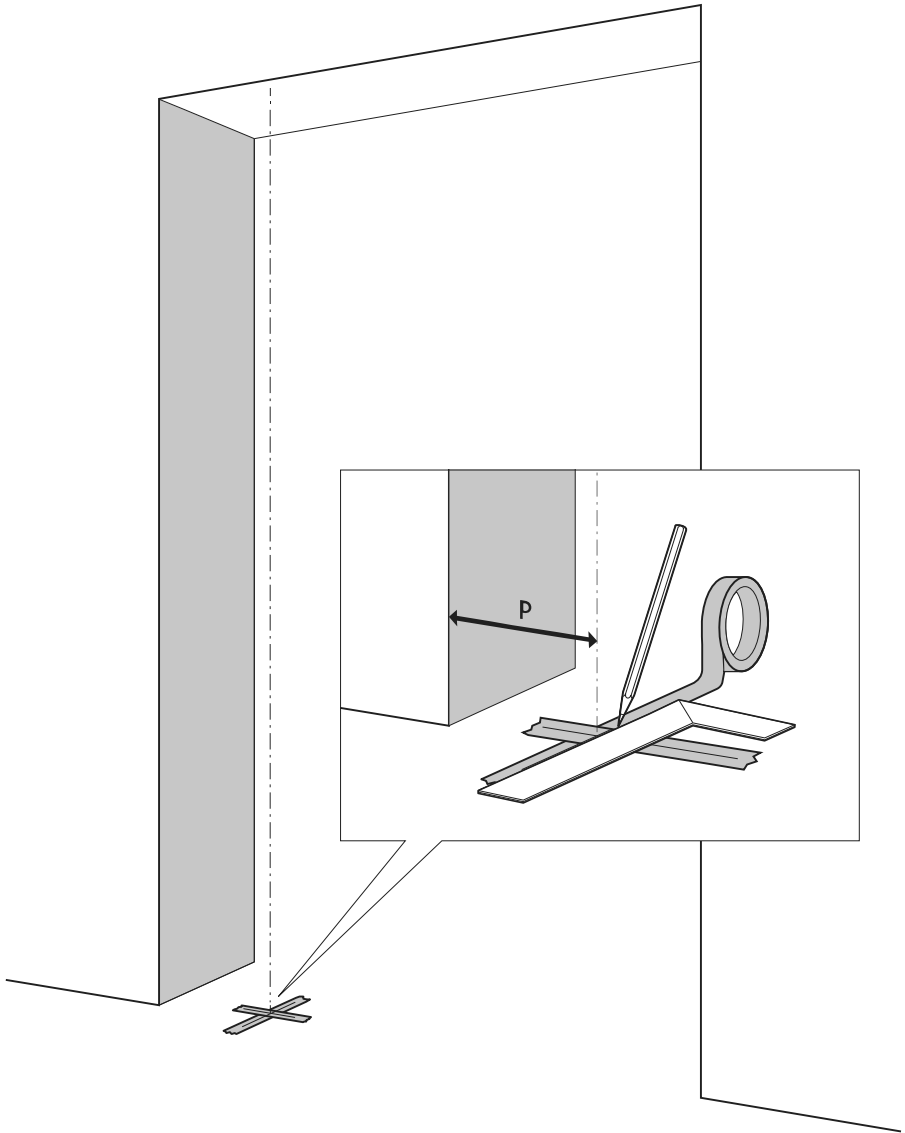


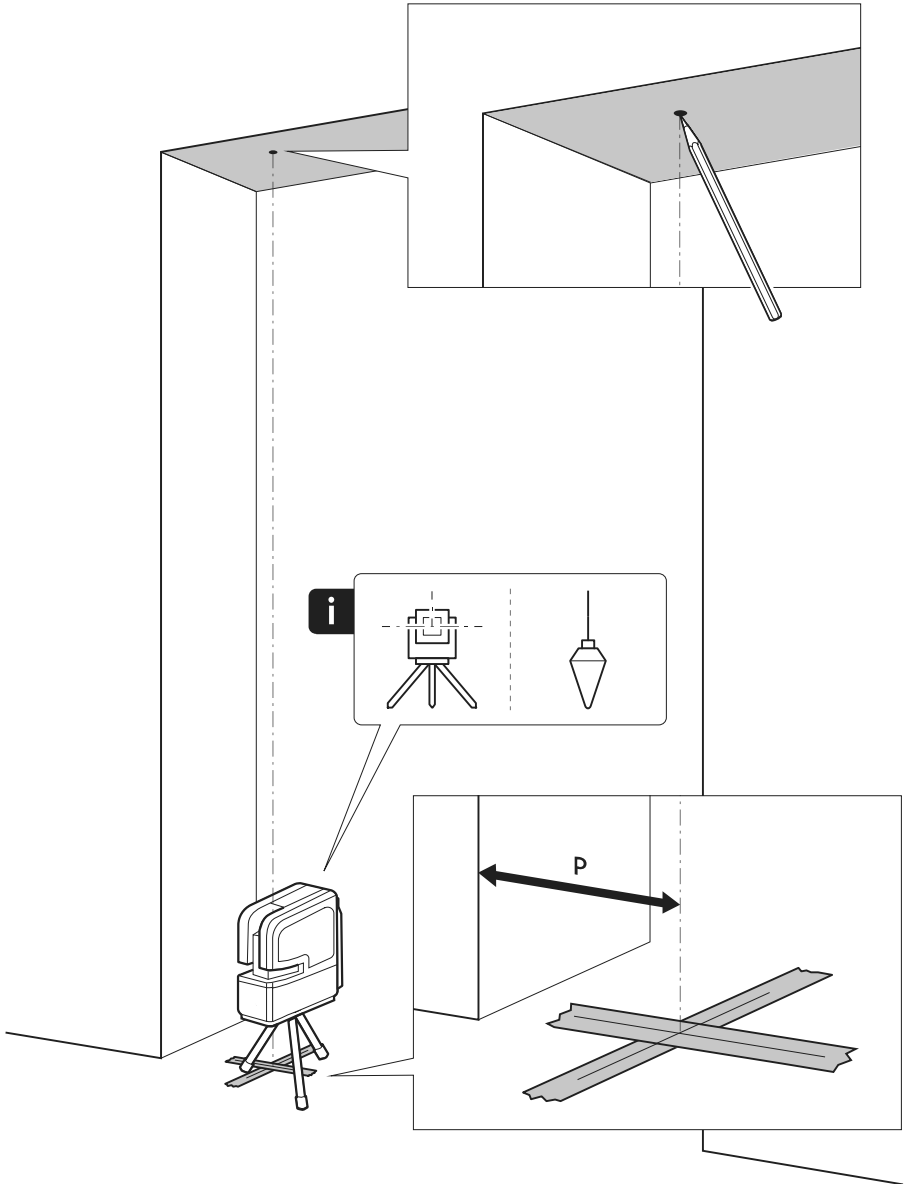
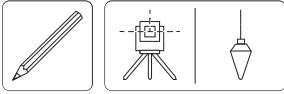
To.M

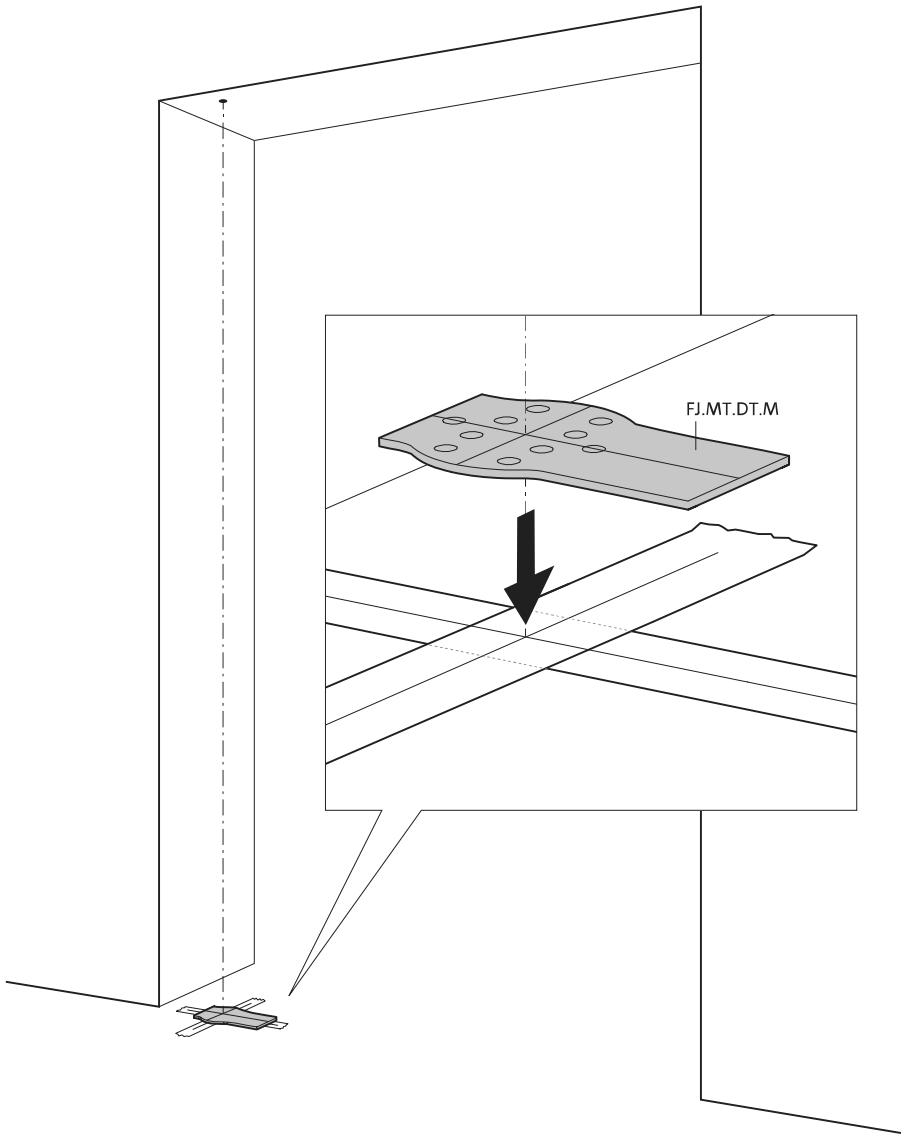


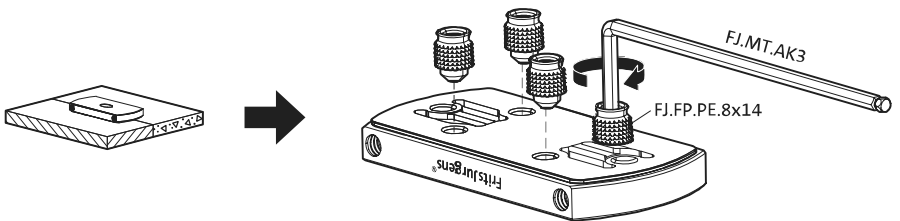
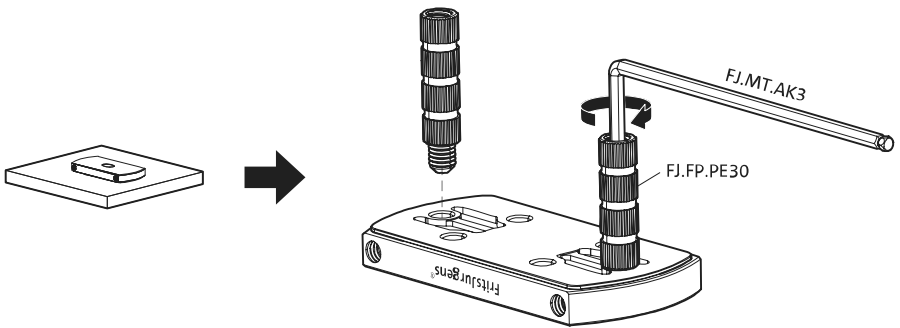
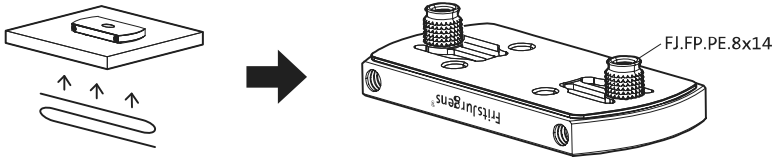


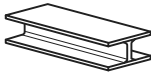




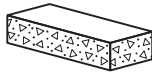




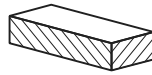




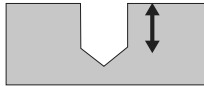
ø8 mm (5/16")



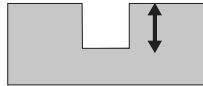
ø8 mm (5/16")



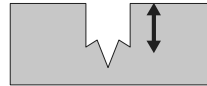
ø7.5 mm (19/64")



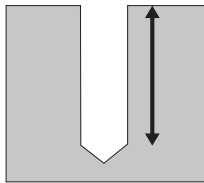
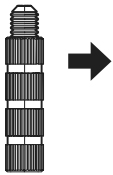
8 mm (5/16")



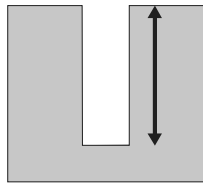
8 mm (5/16")



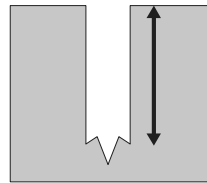
8 mm (5/16")



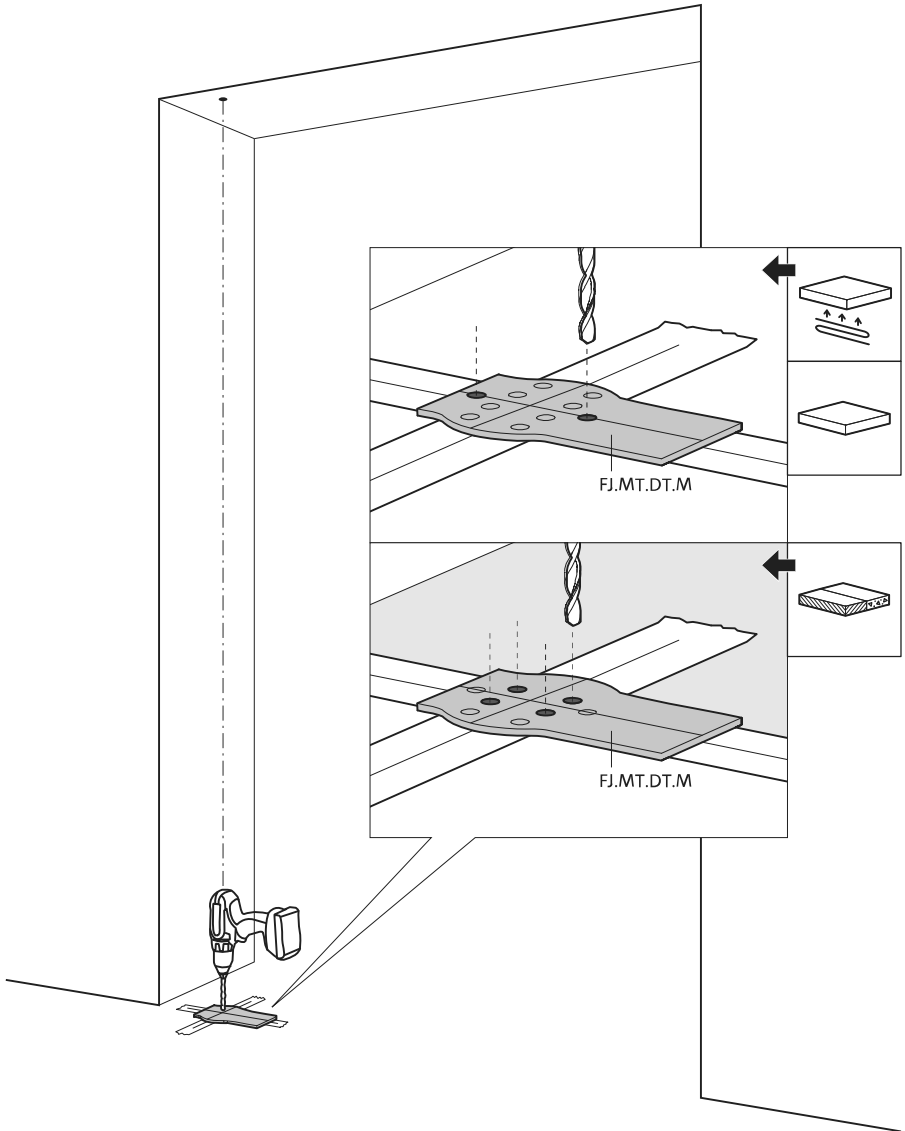
30 mm (13/16")

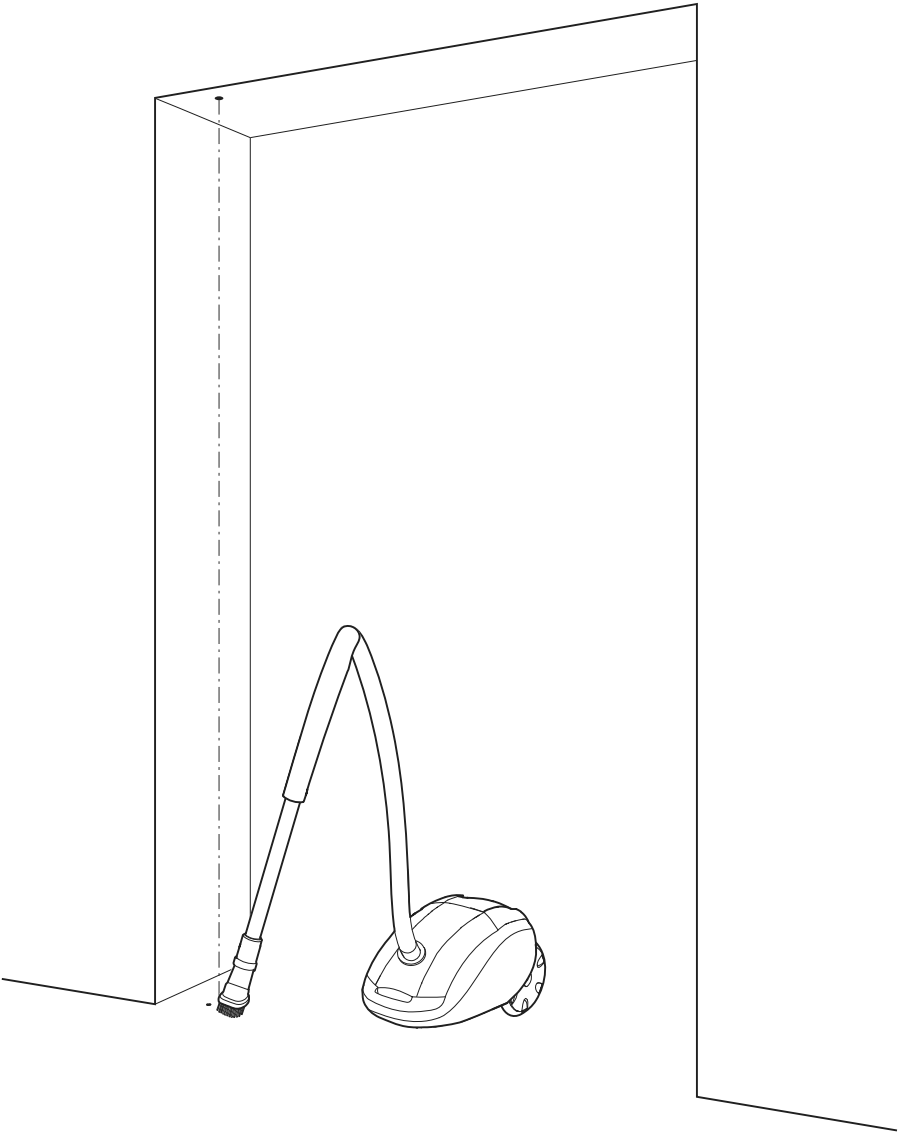


30 mm (13/16")



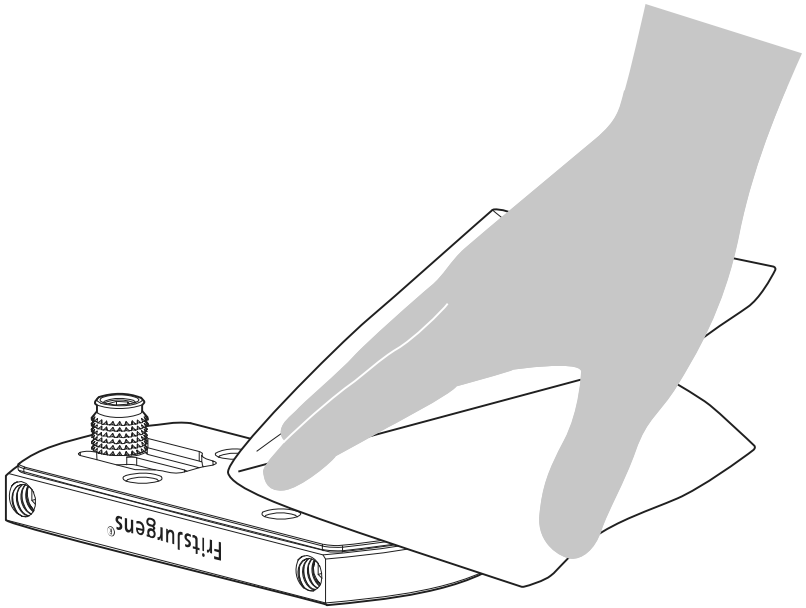
30 mm (13/16")



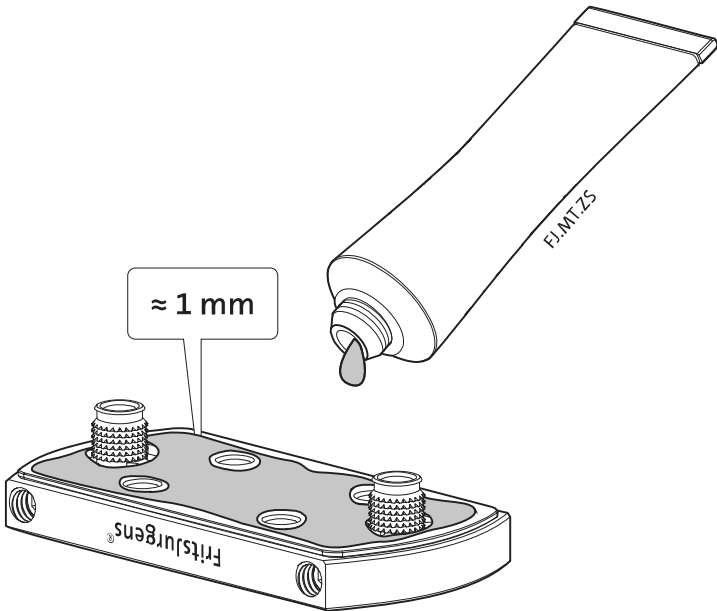


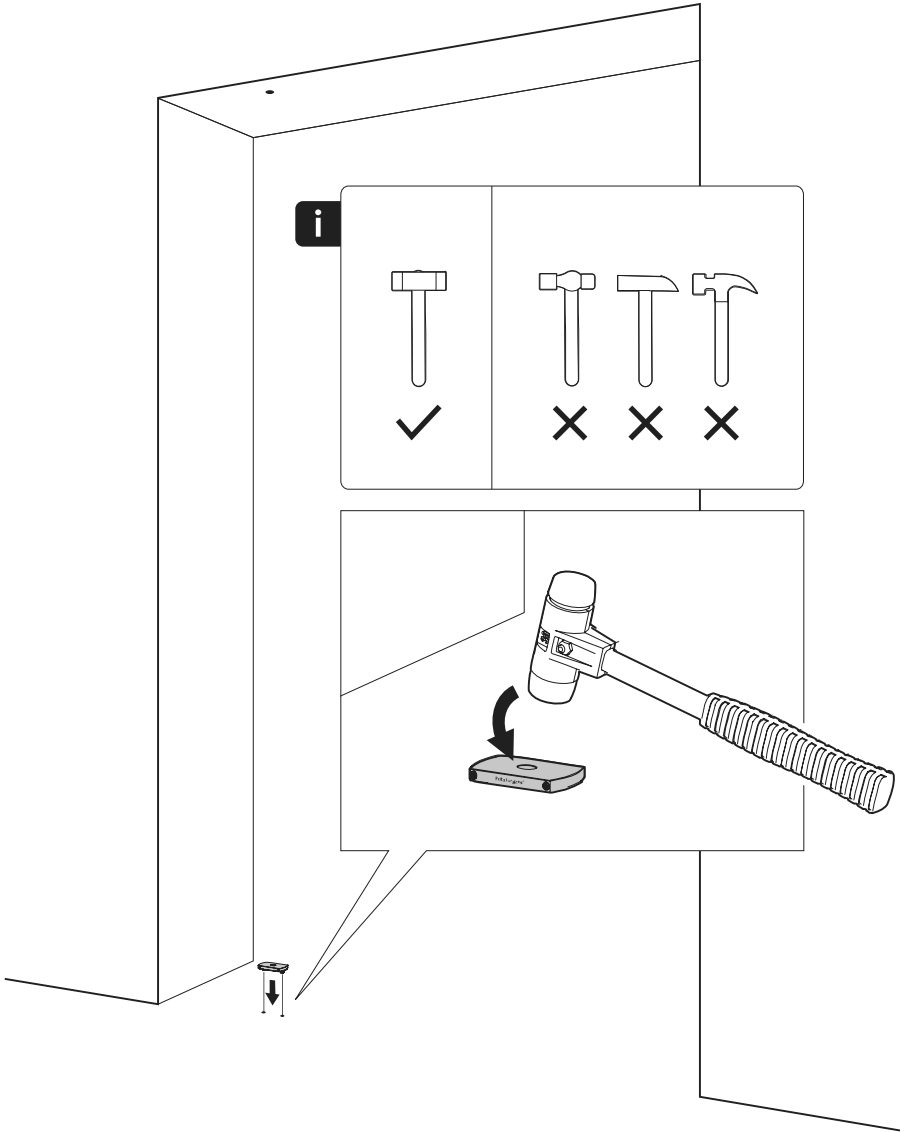


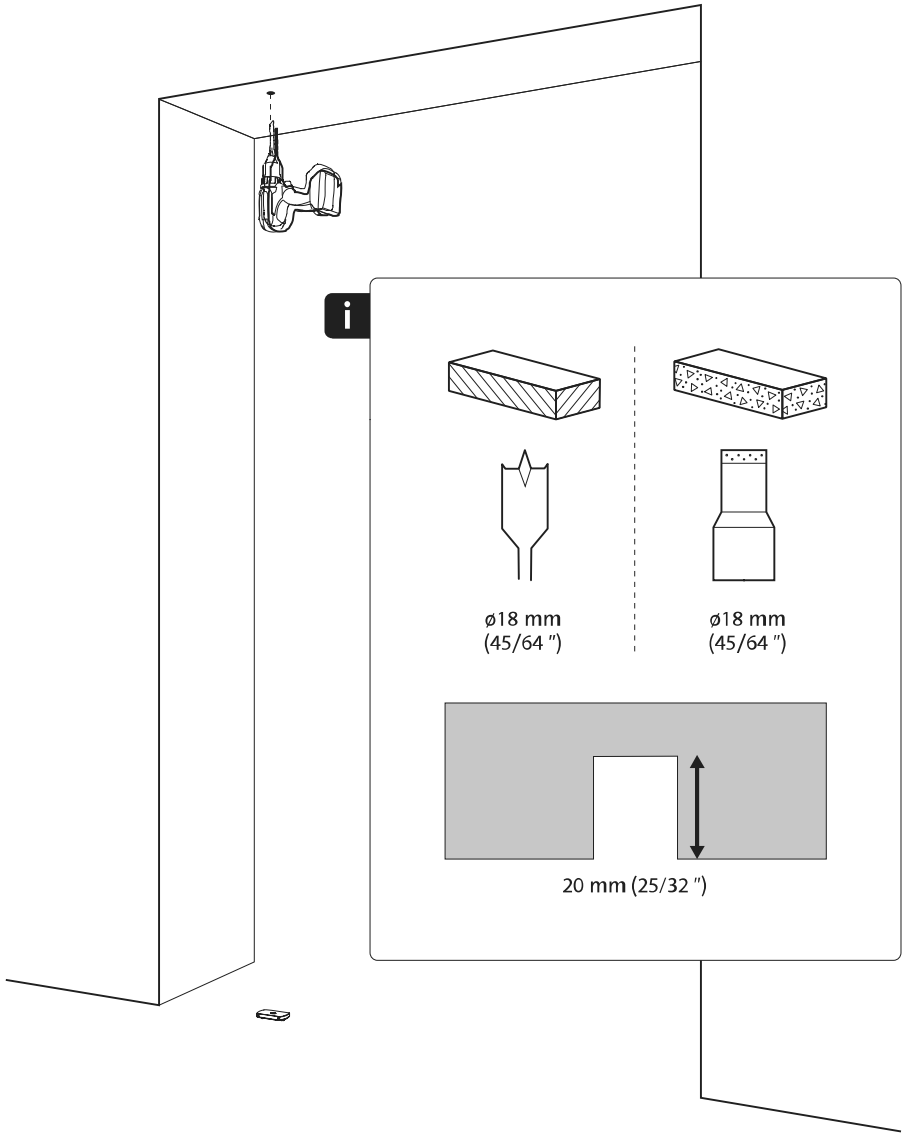
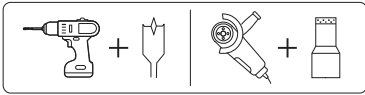
1



2

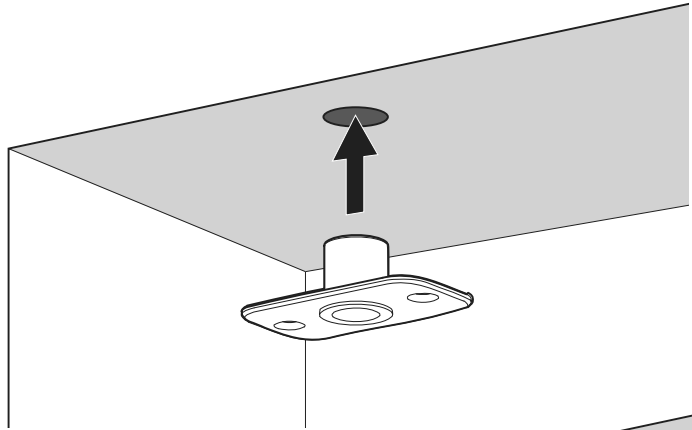




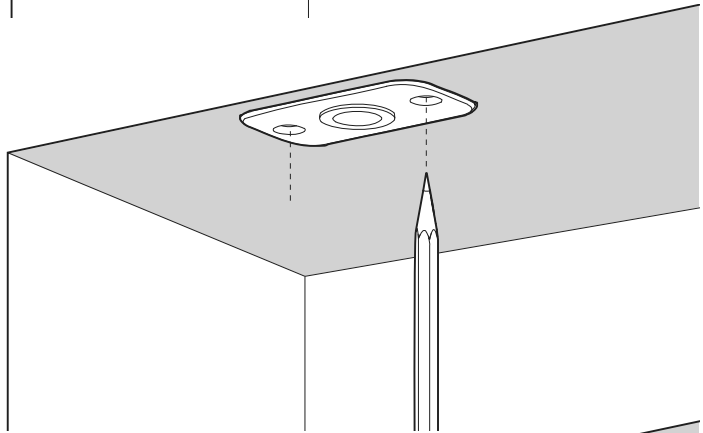




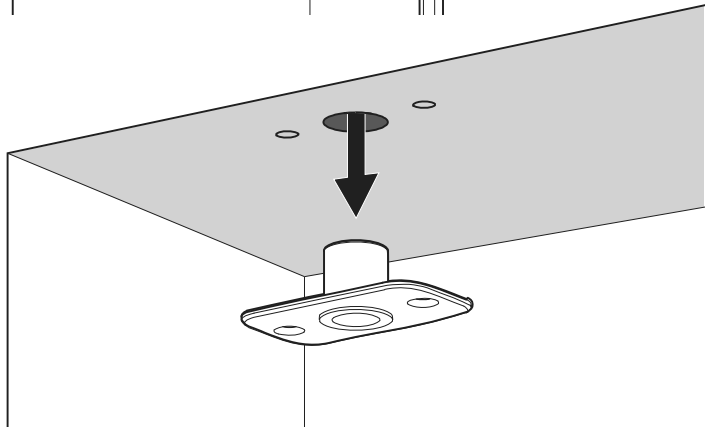
1



2

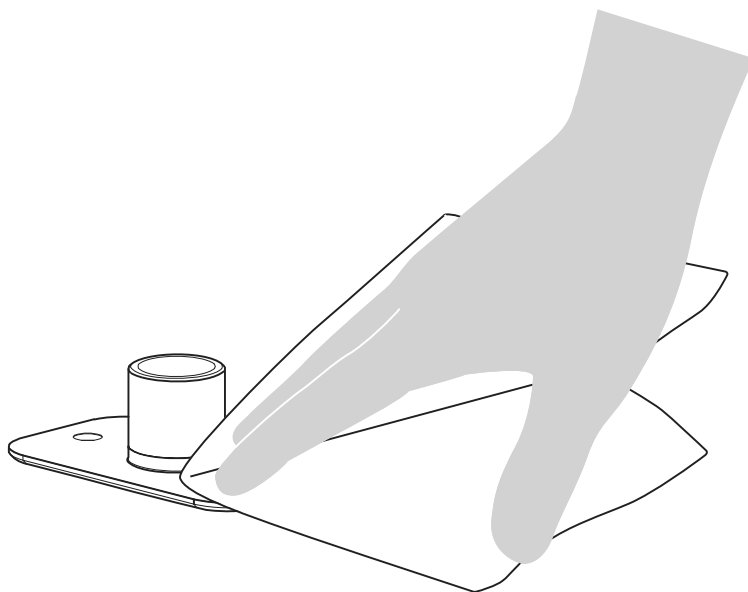


3

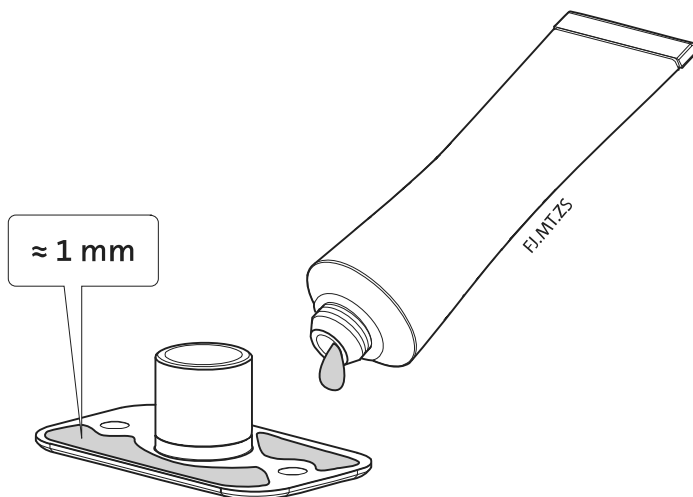


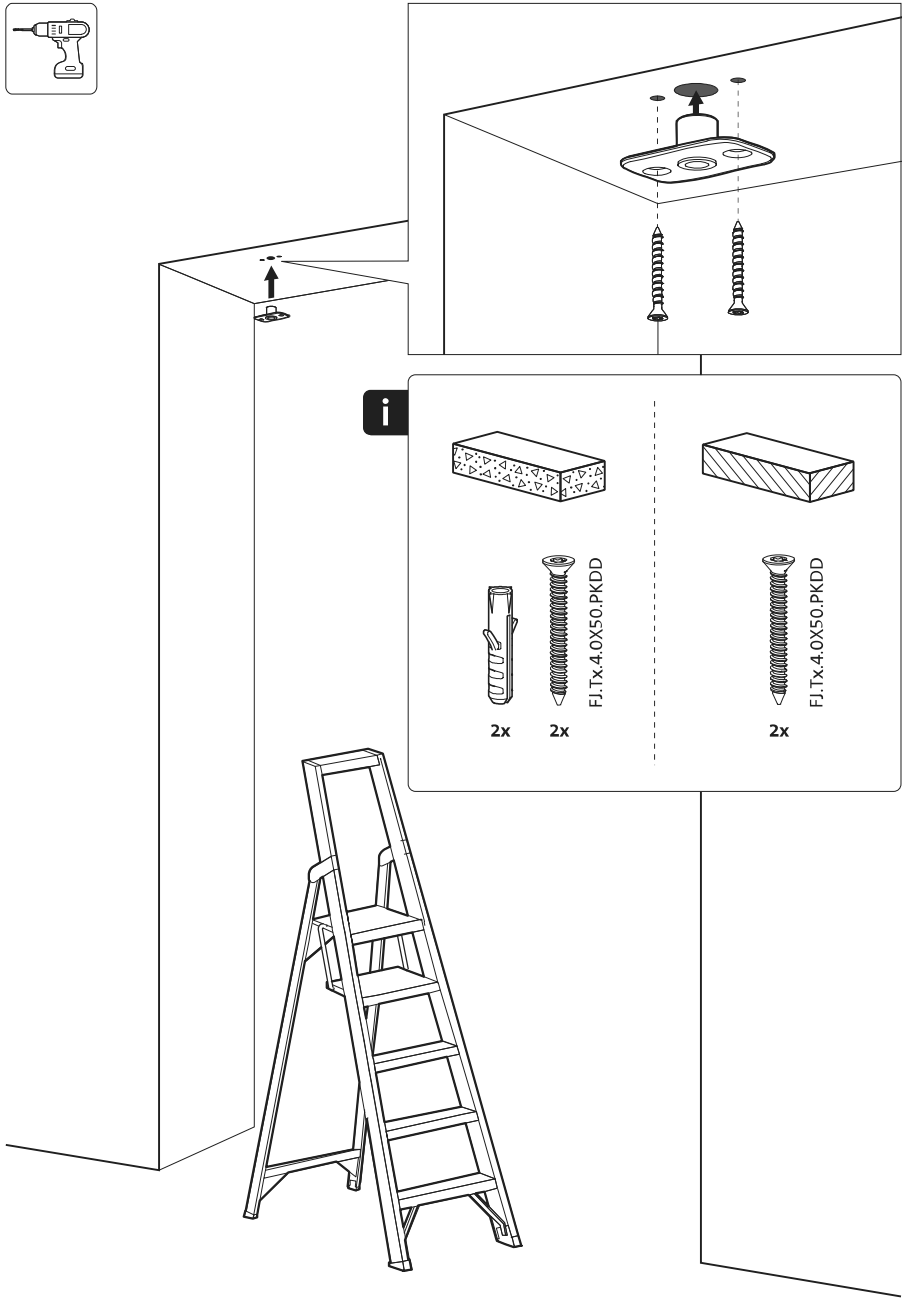


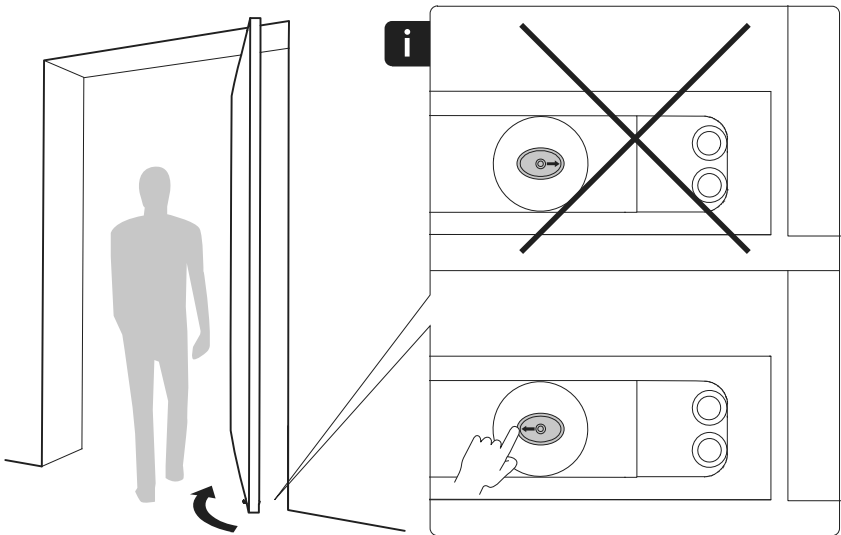
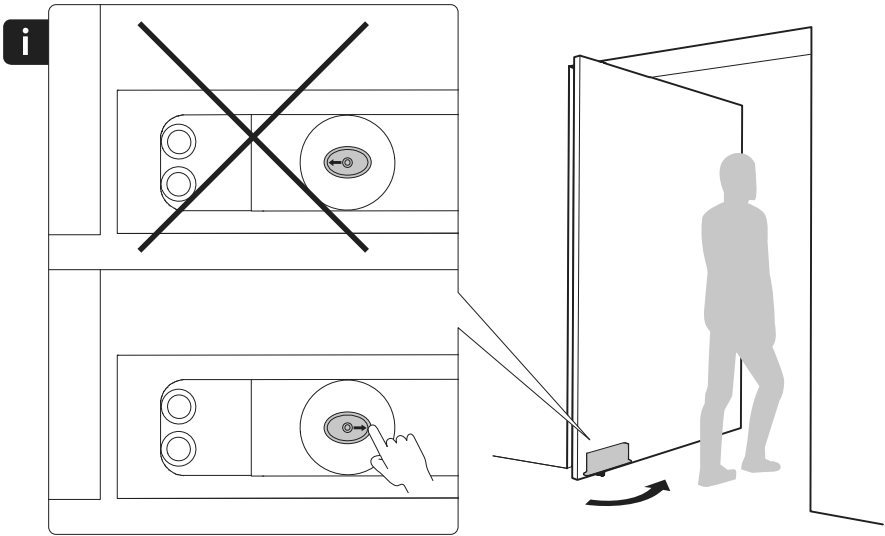
1

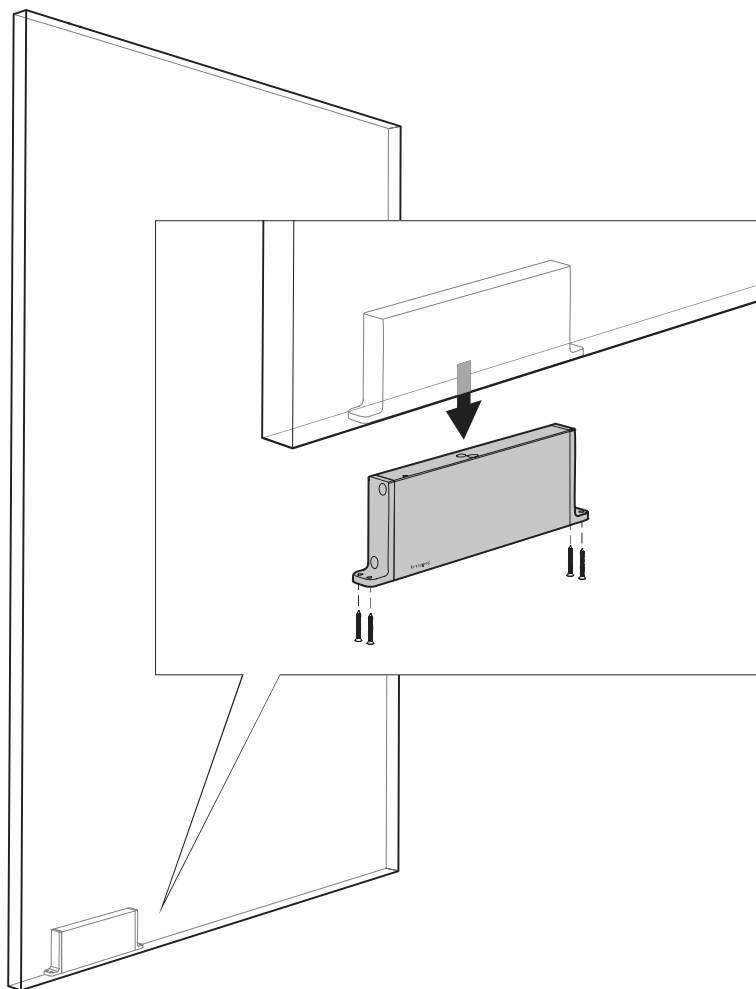


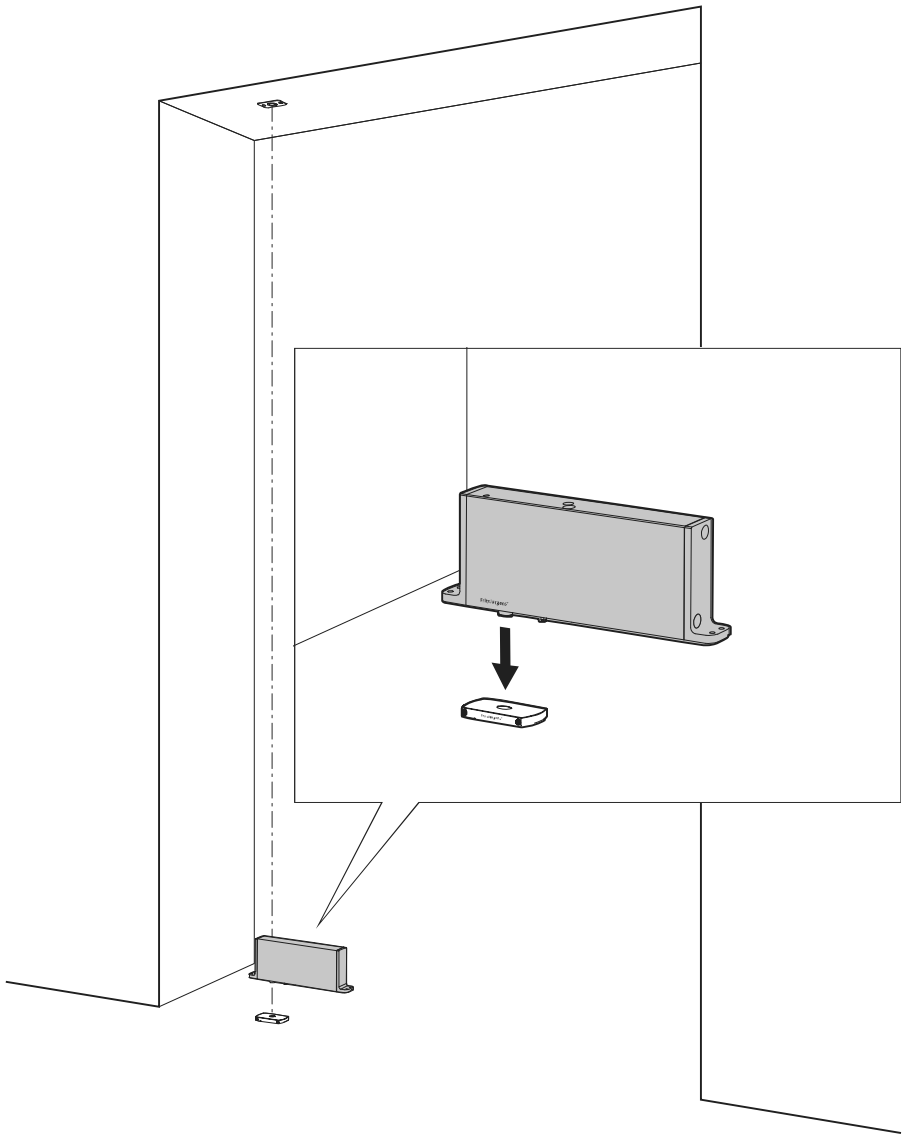
2

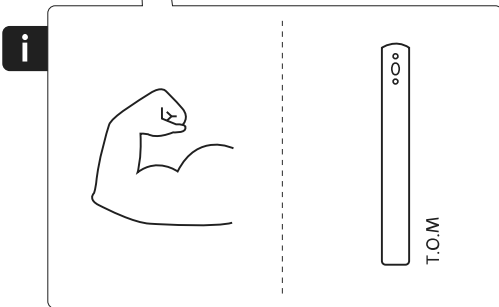
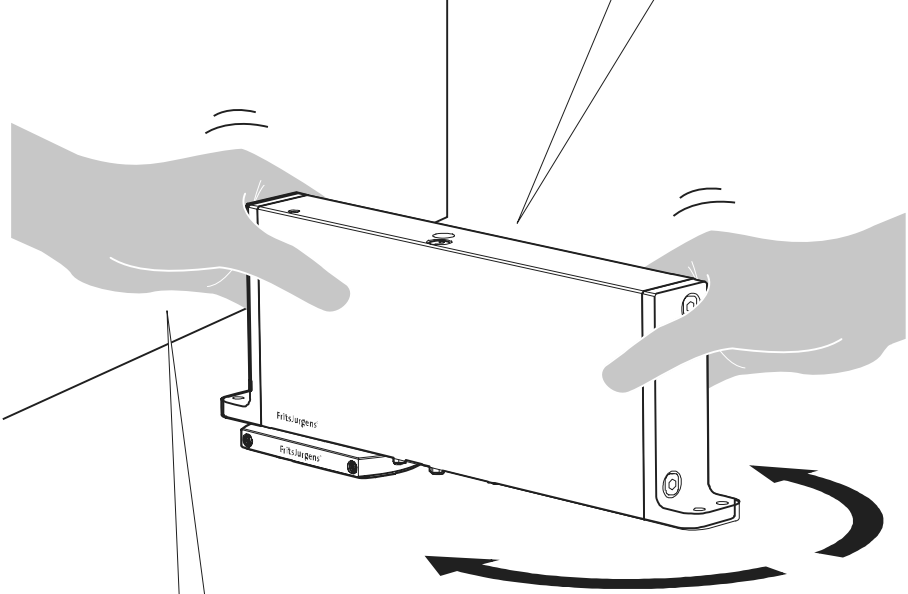
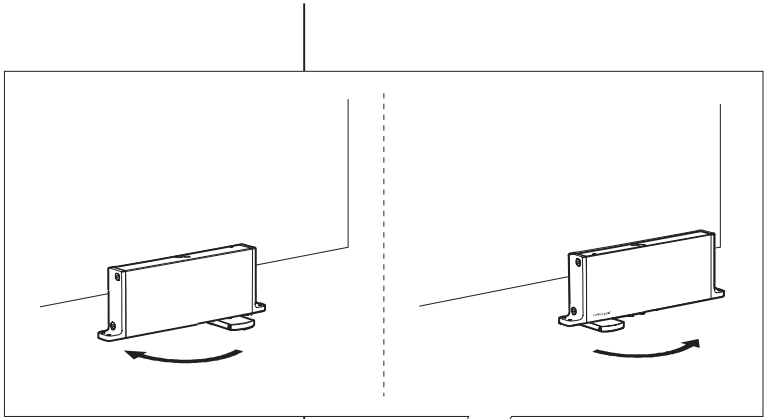


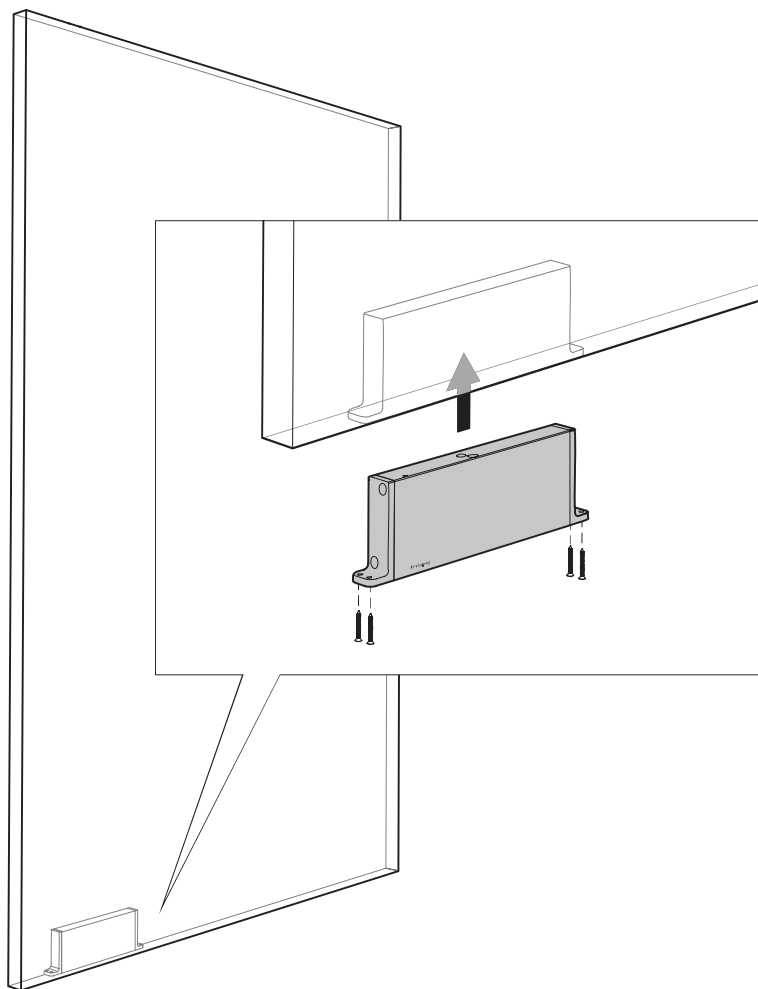


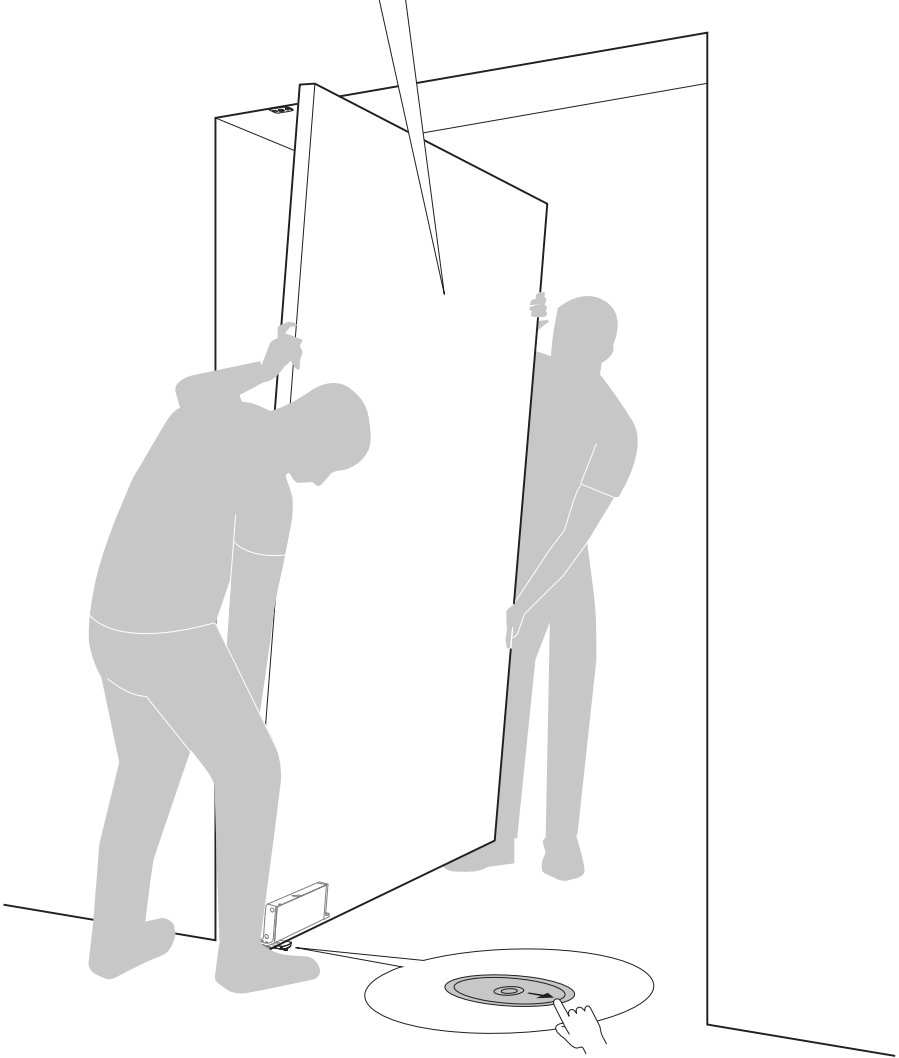
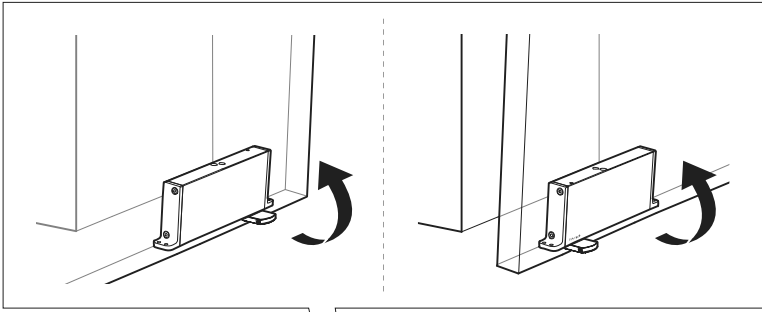


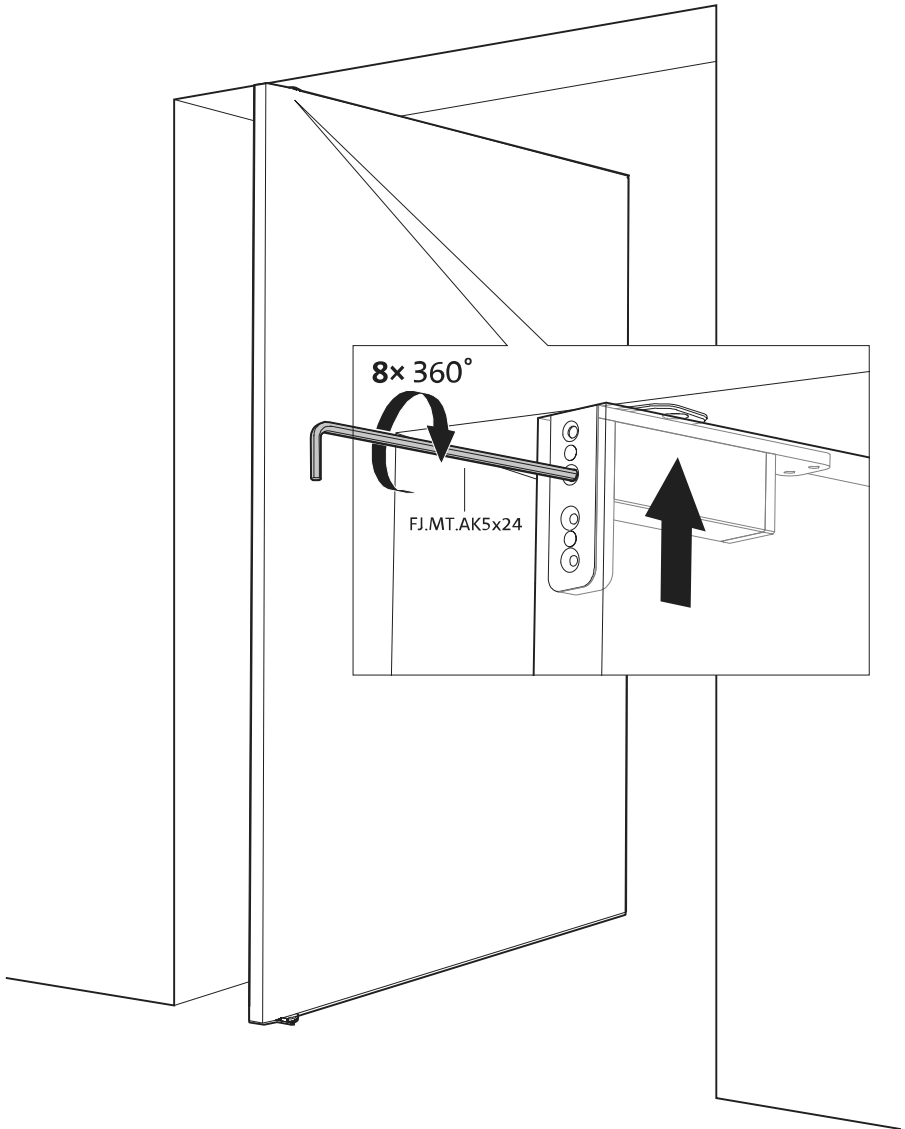
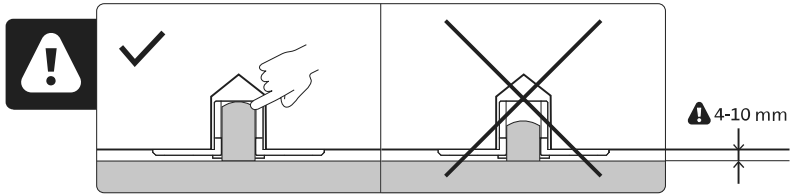


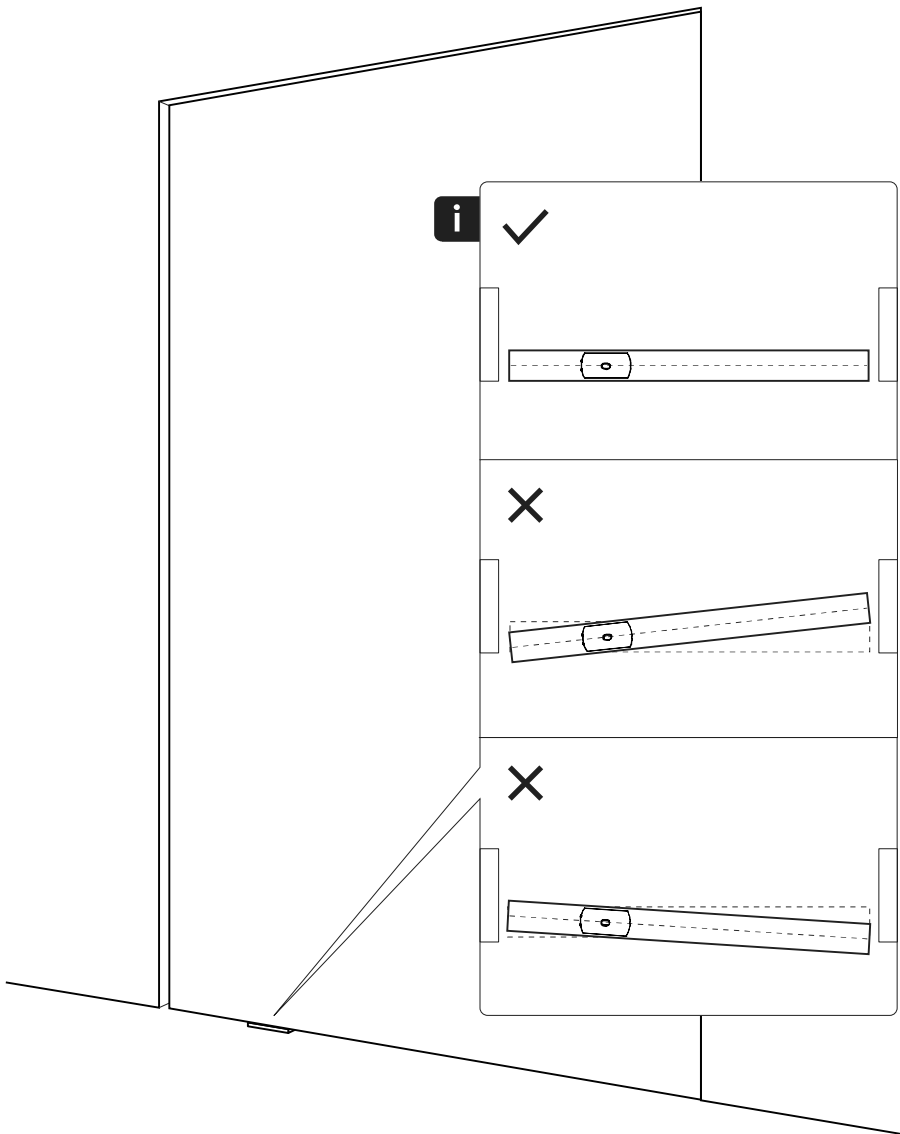


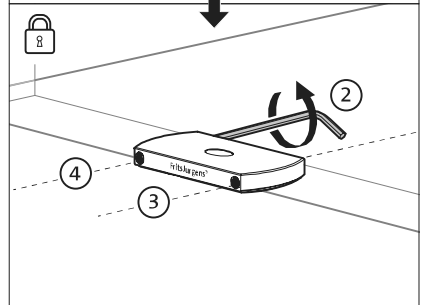
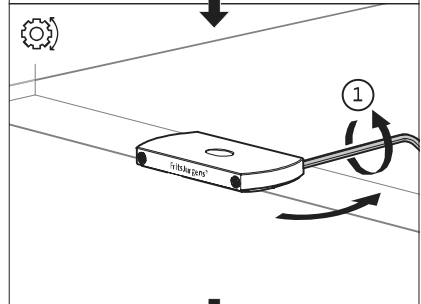
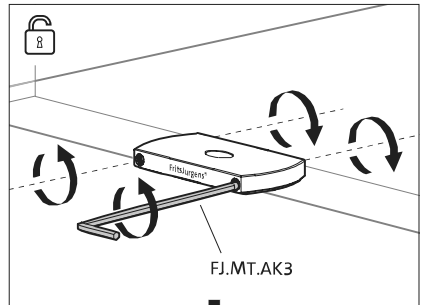
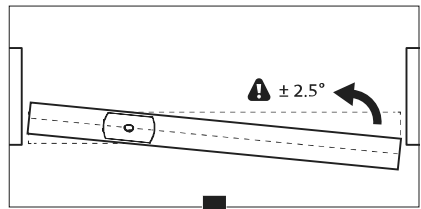
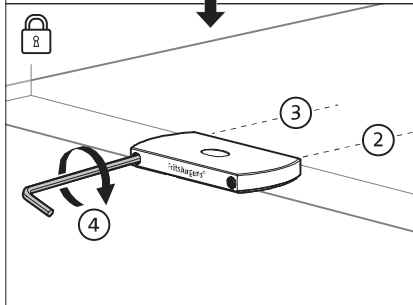
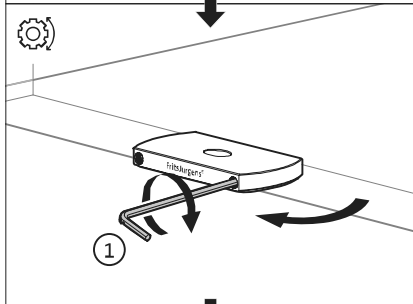
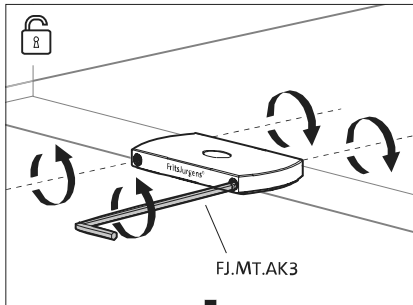
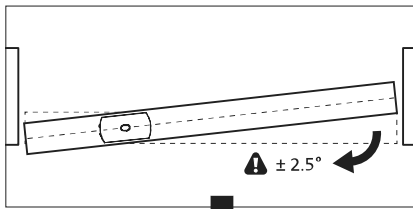


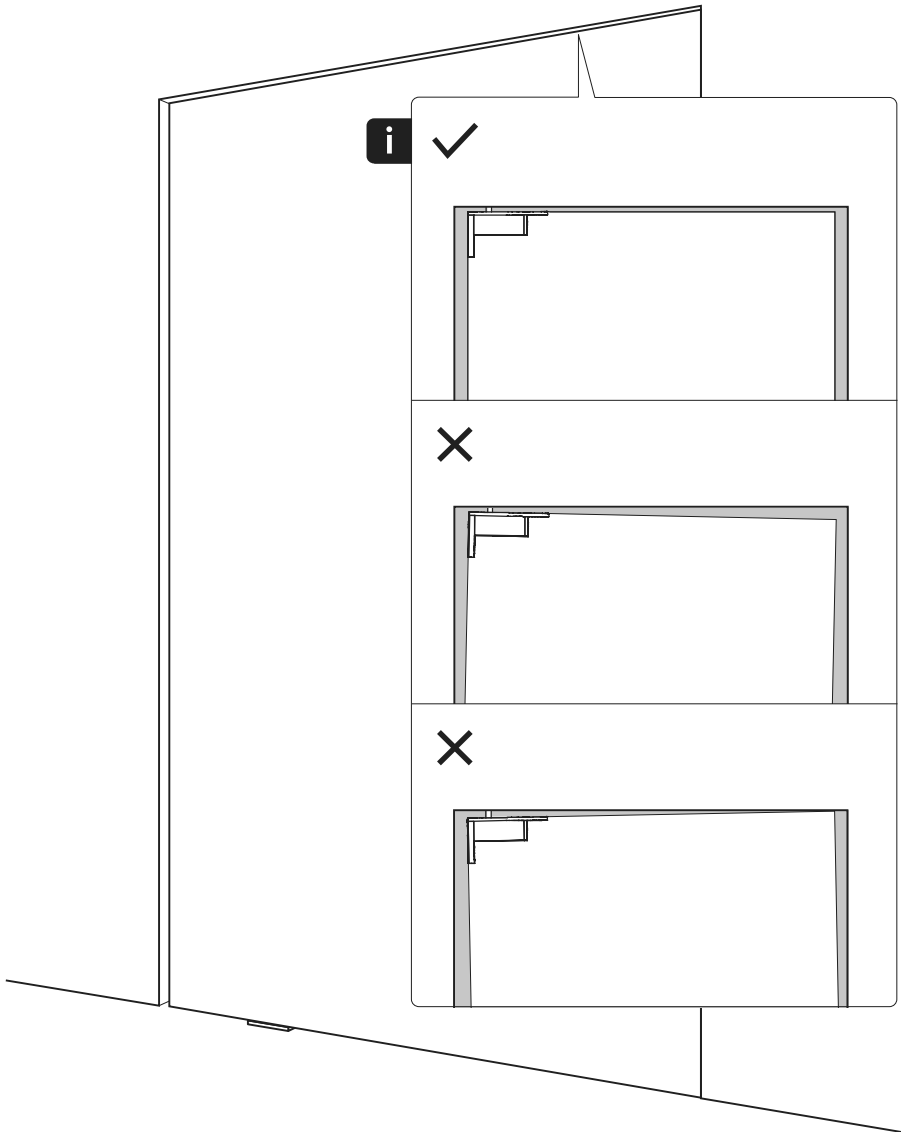


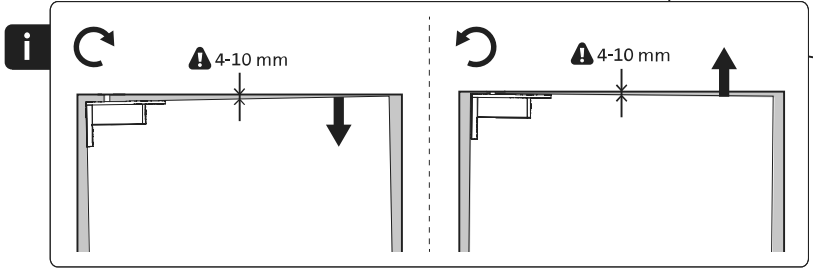
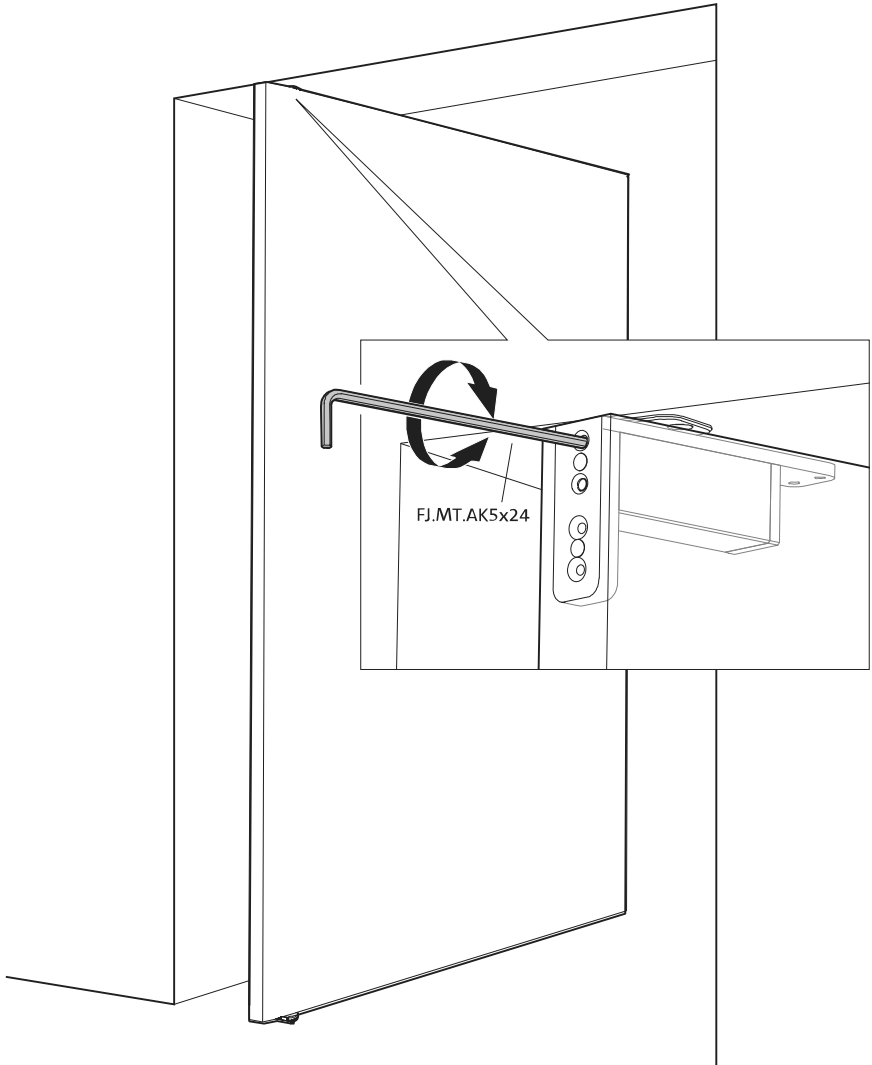


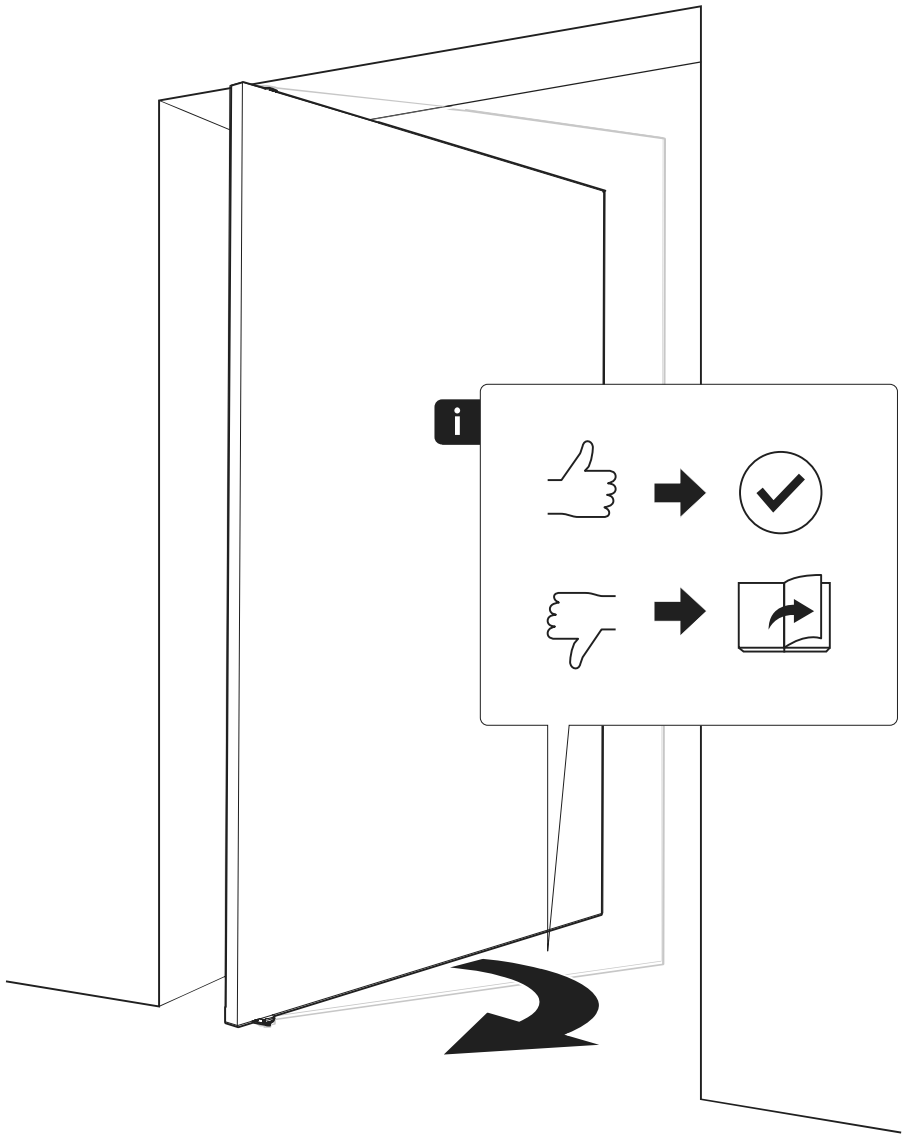


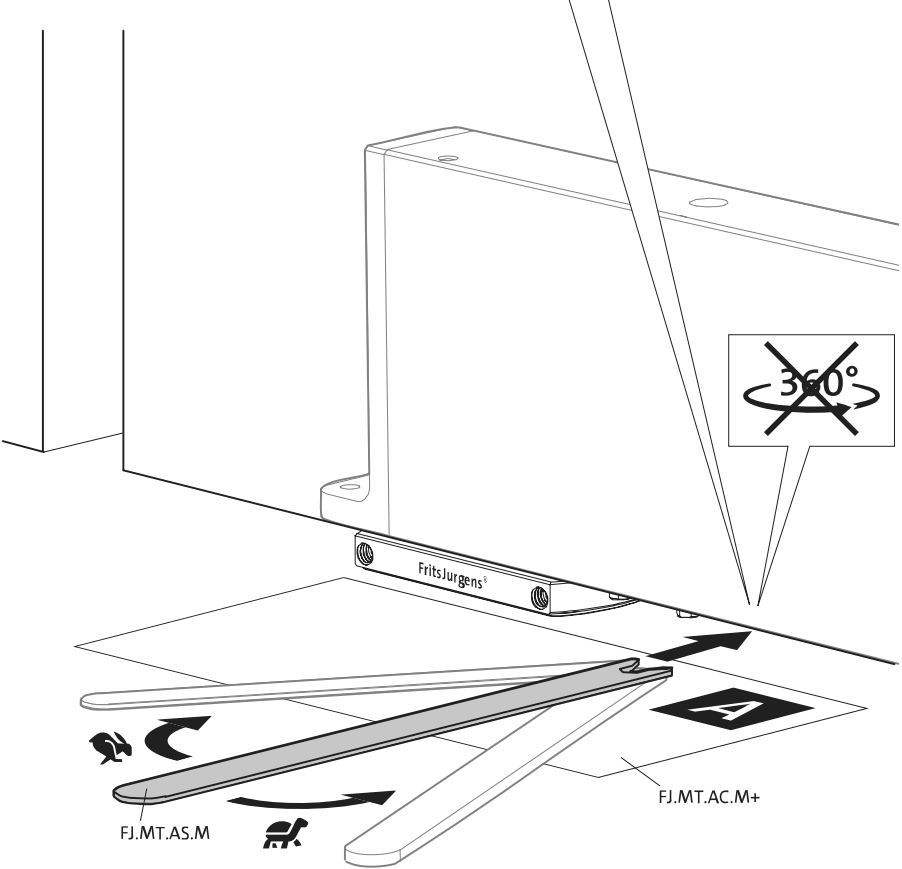
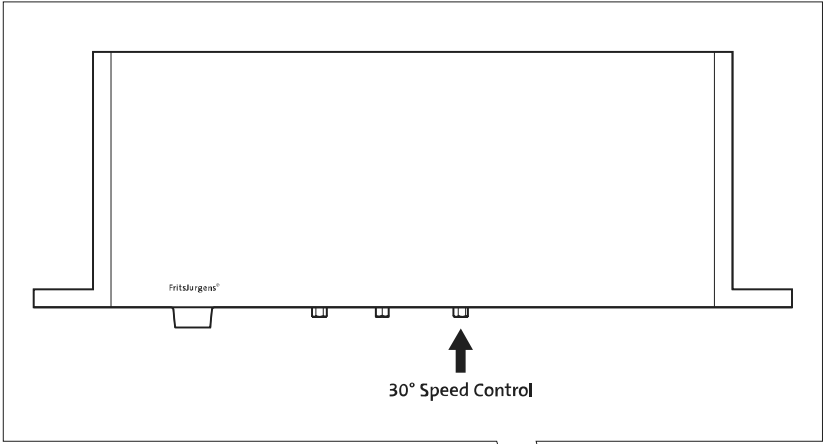




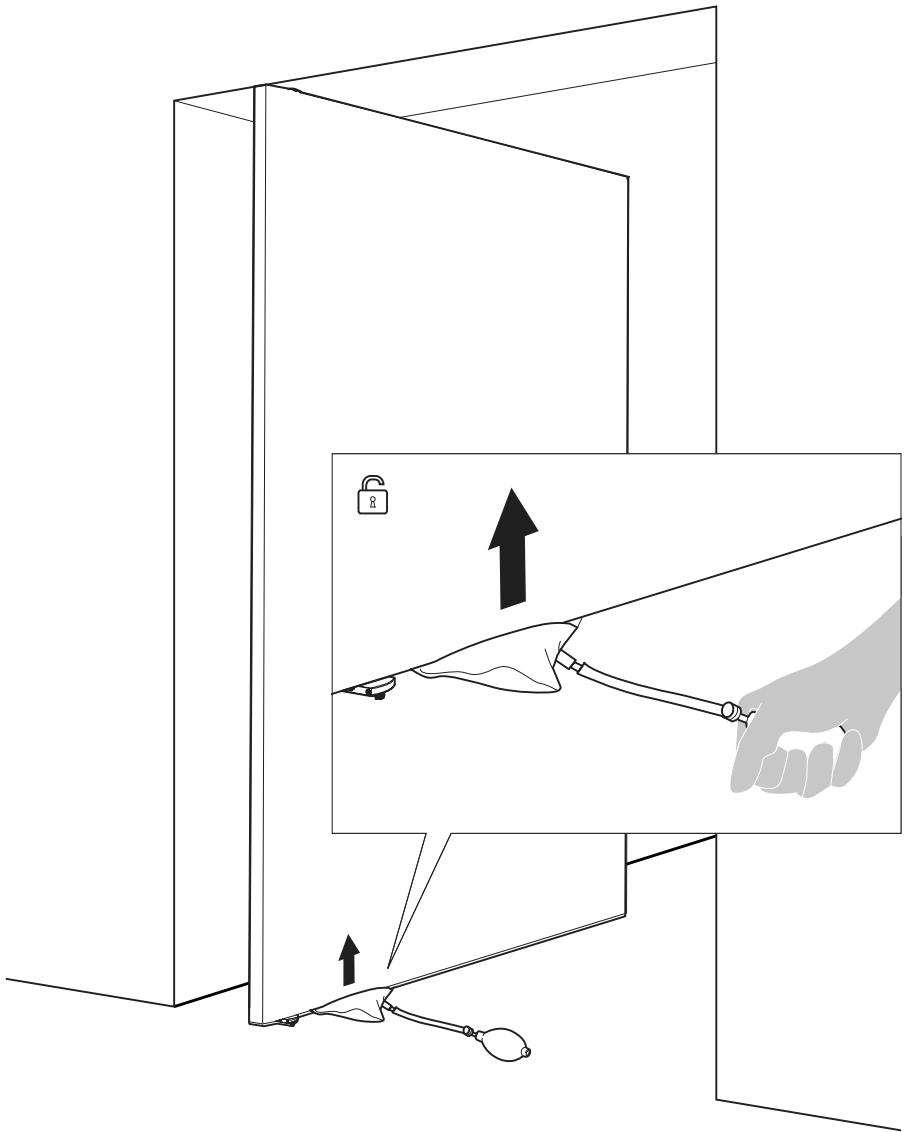


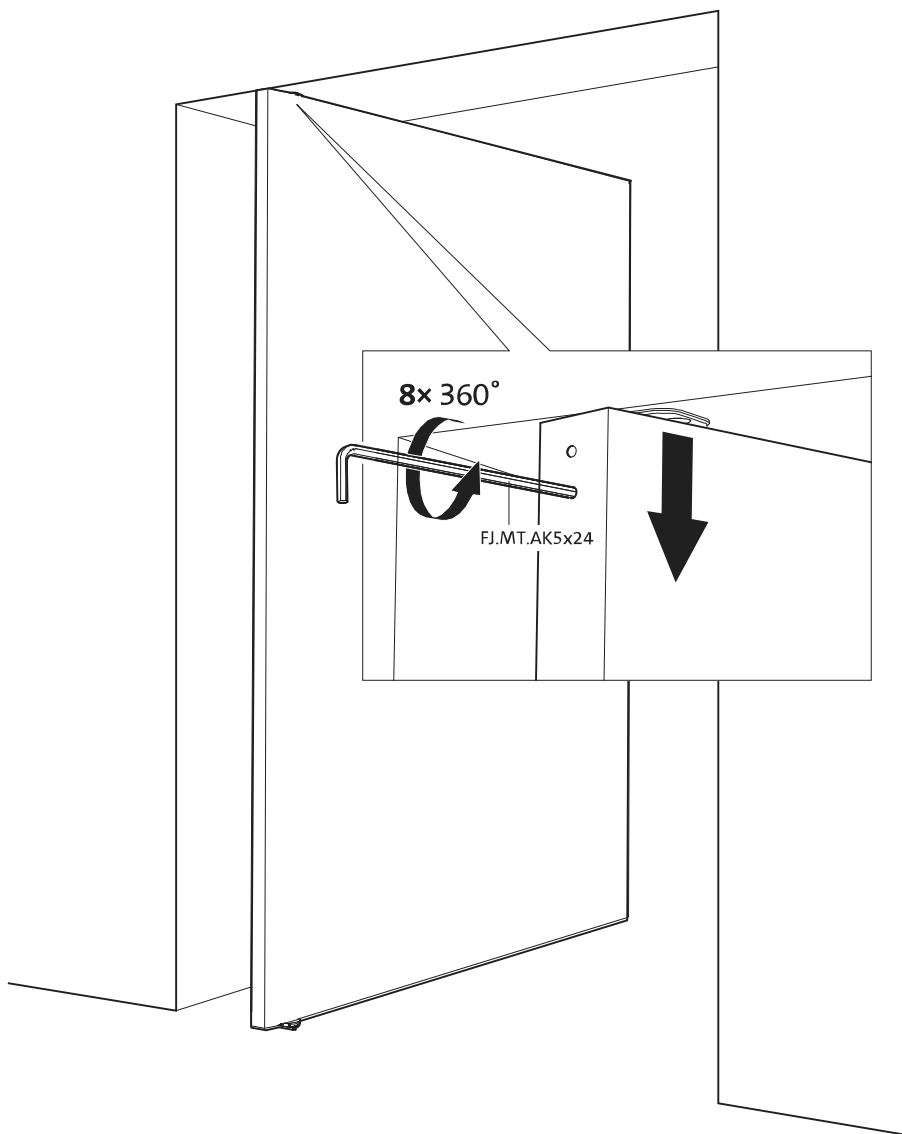


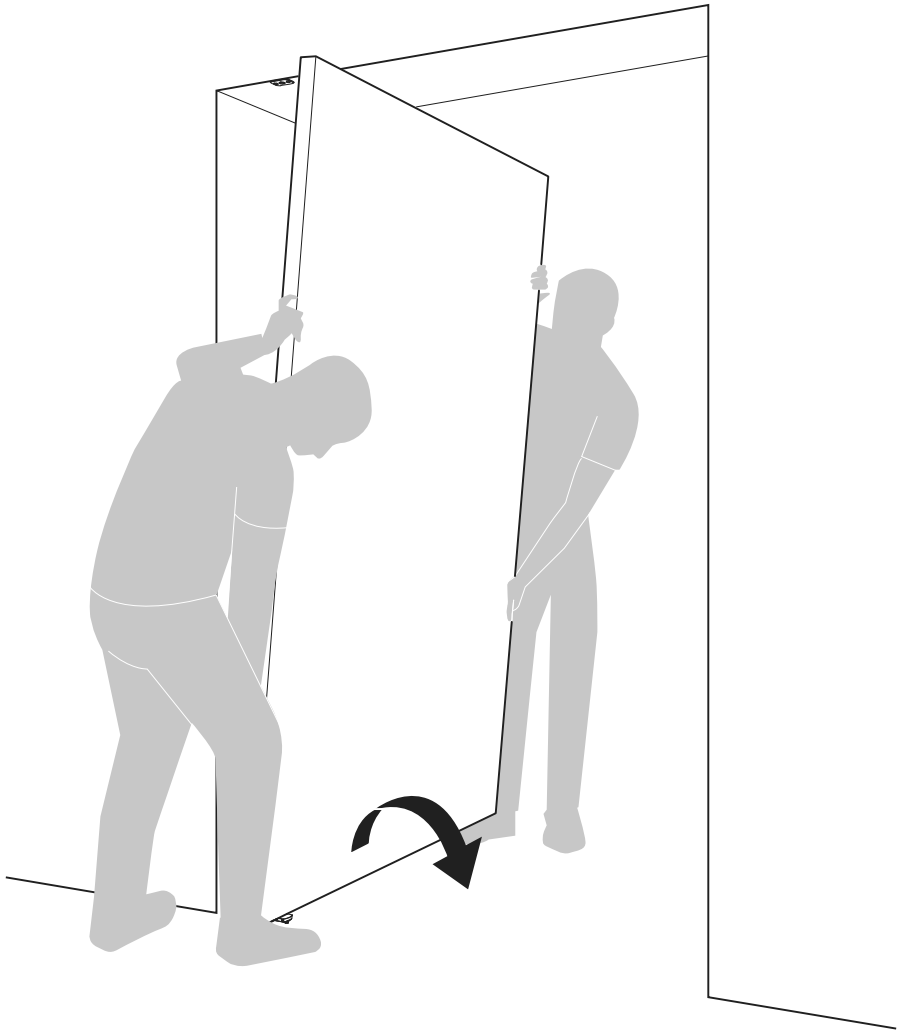




Istruzioni di smontaggio







FritsJurgens International

A. Einsteinlaan 1

Paesi Bassi

9615 TE Kolham

+31 598 343 410

info@fritsjurgens.com

FritsJurgens Dubai Branch

DLC-OP-A2-4-0029

Dubai South

Dubai

Emirati Arabi Uniti

+971 4 820 8106

+971 58 137 2611

dubai@fritsjurgens.com

fritsjurgens.com

Copyright © FritsJurgens®
B.P.M.40.C.X.SS



