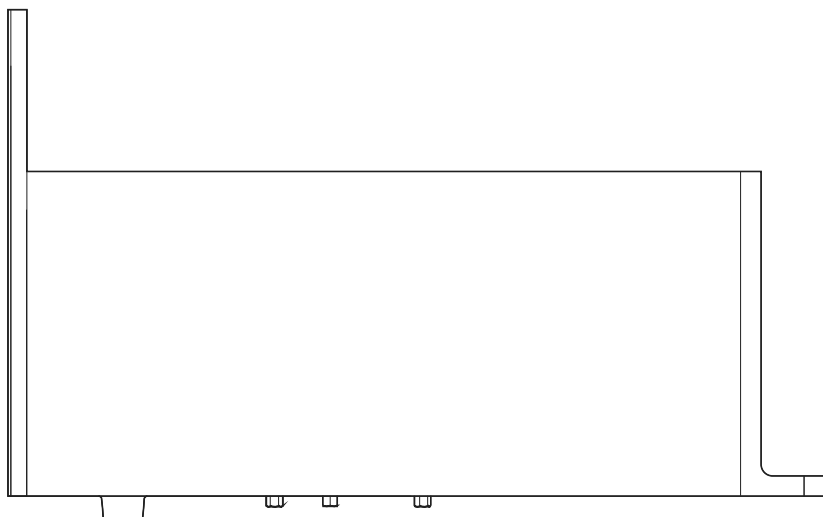


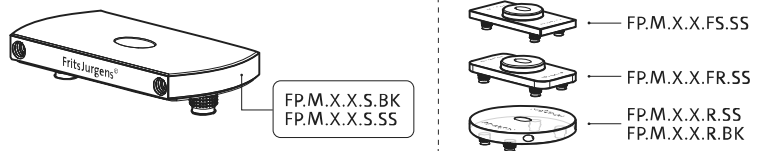
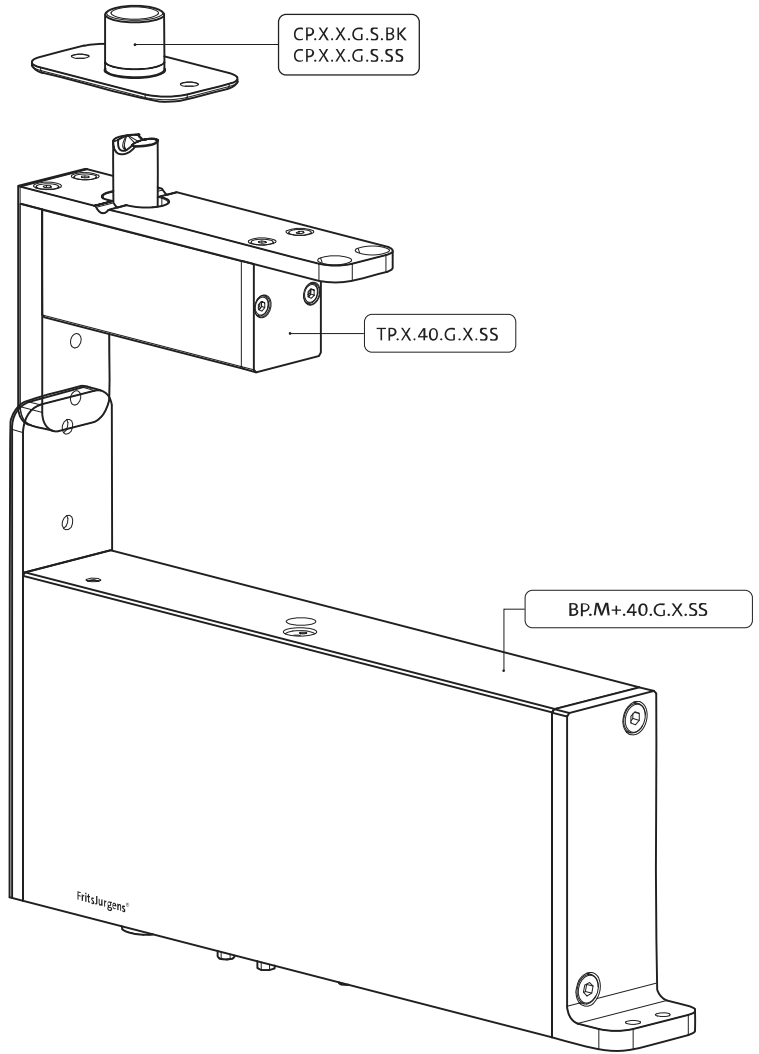
System M+

Manuale di fresatura e montaggio

FritsJurgens Kit - 40 mm Classe G - acciaio inox

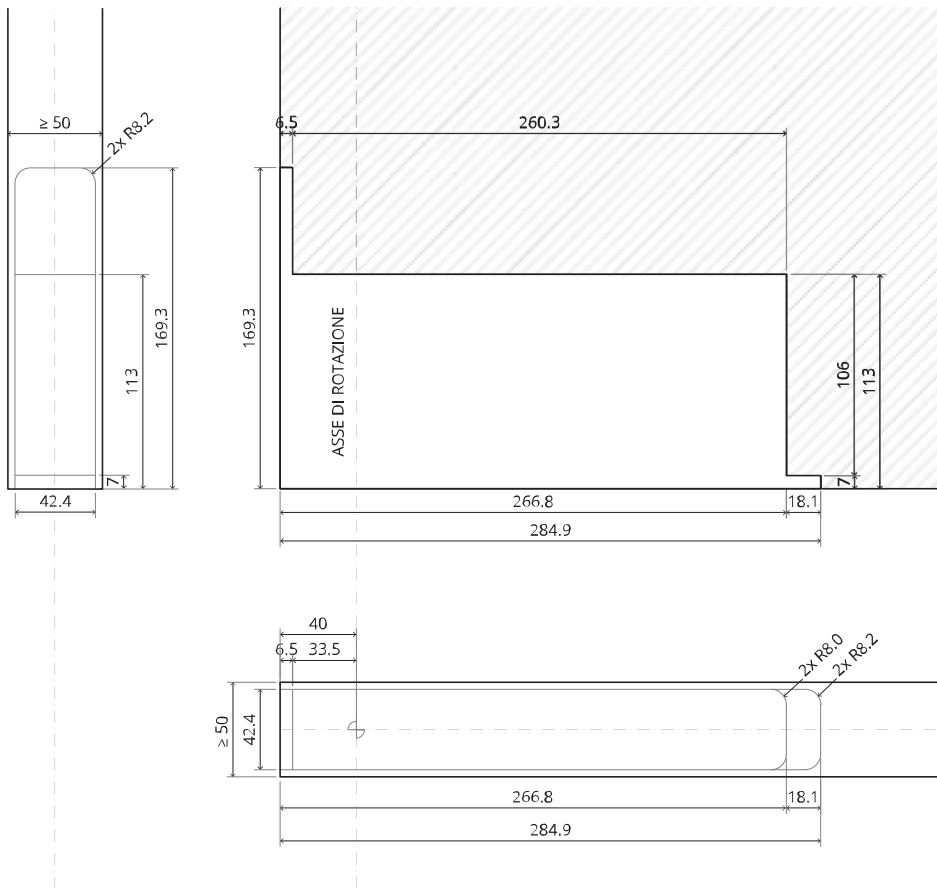


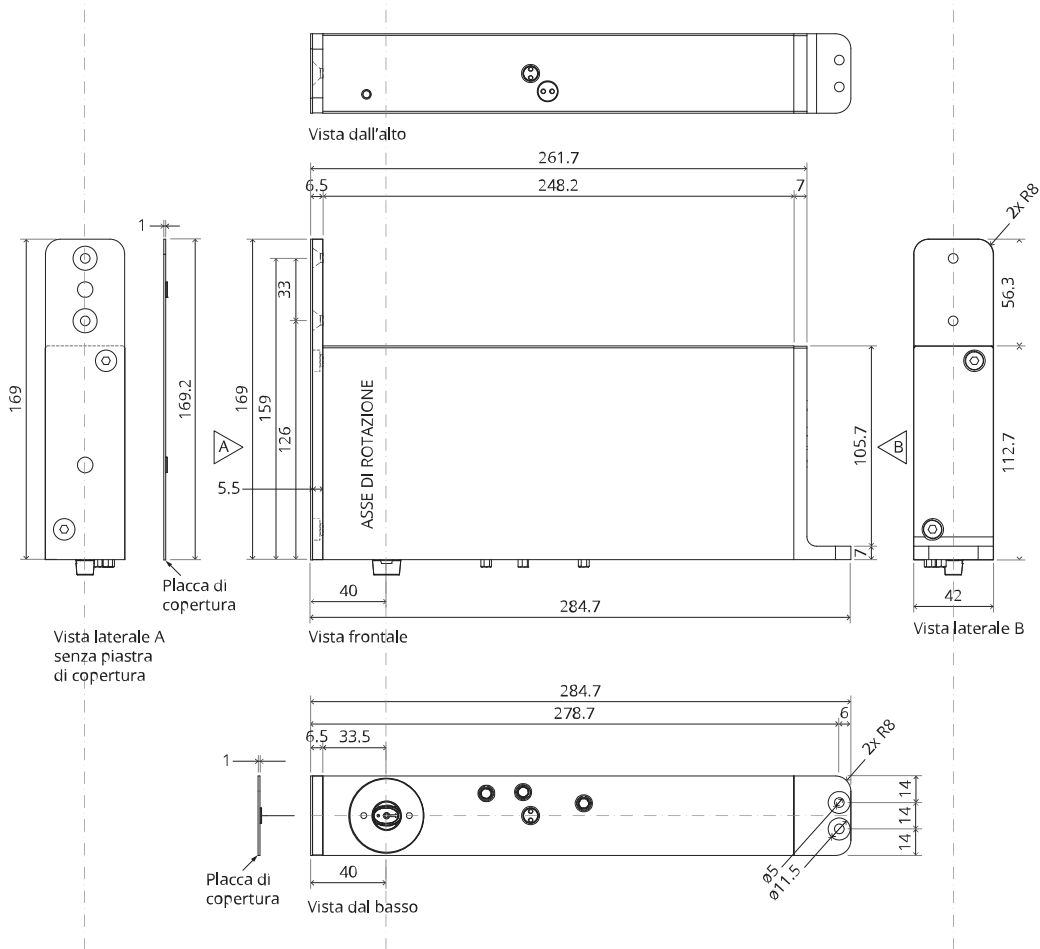
FritsJurgens®



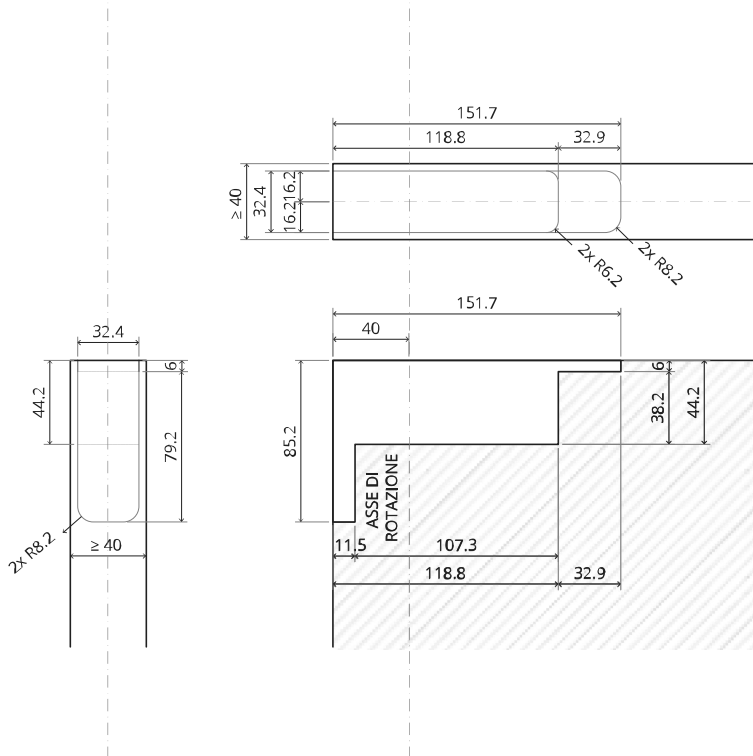
Istruzioni di fresatura

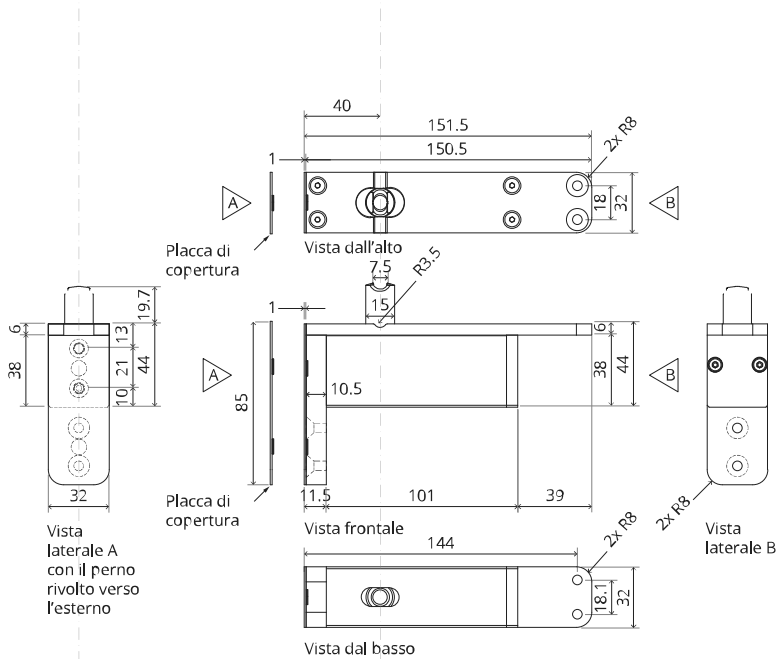
BP.M+.40.G.X.SS



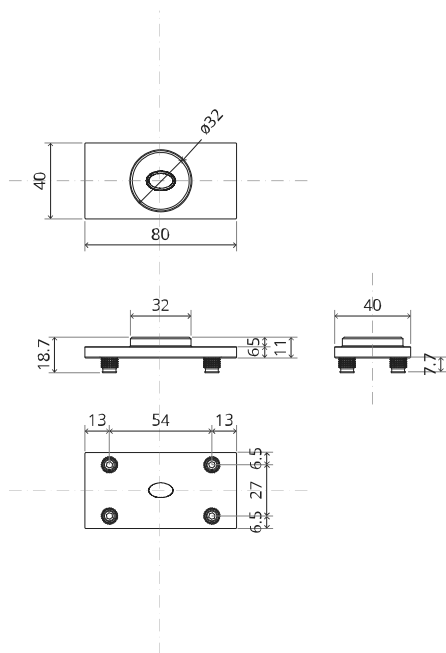
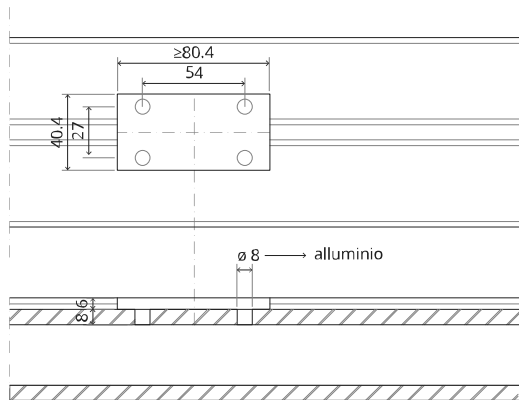


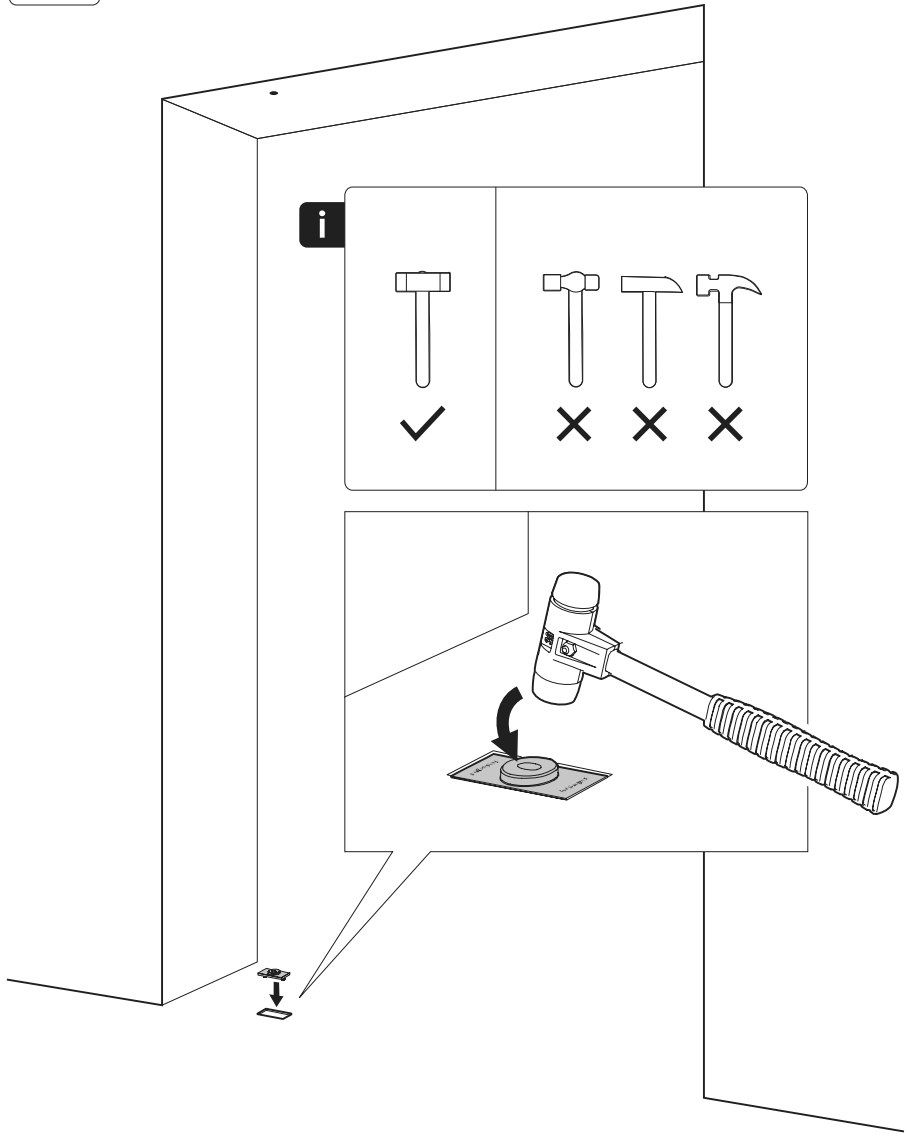
TP.X.40.G.X.SS



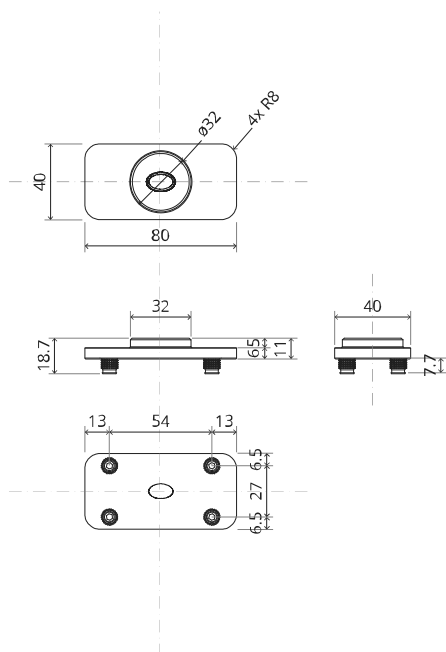
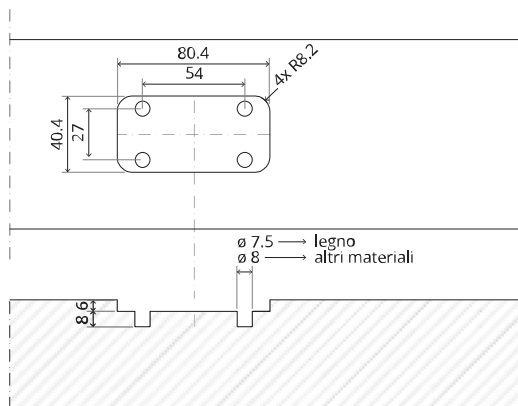


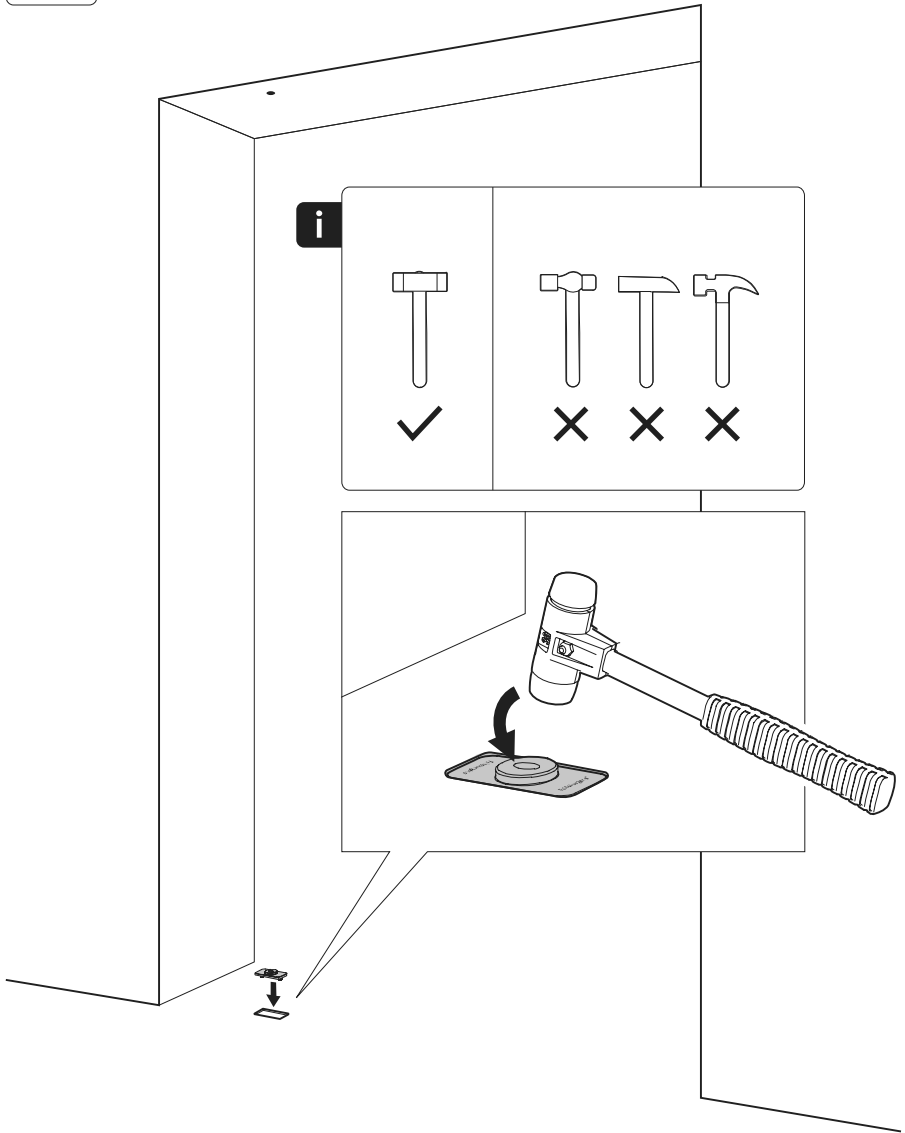
FP.M.X.X.FS.SS



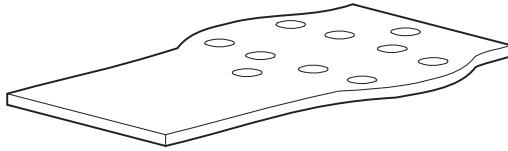


FP.M.X.X.FR.SS





Istruzioni di montaggio



FJ.MT.DT.M



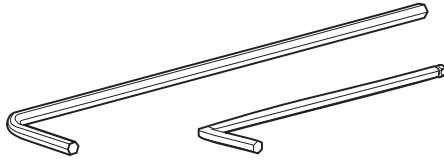
FJ.MT.Z5



10x FJ.Tx.4.0X50.PKDD

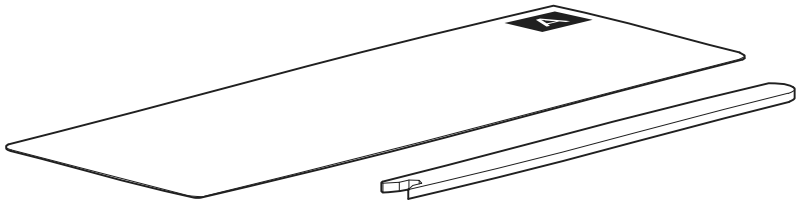


FJ.Bit.Tx20



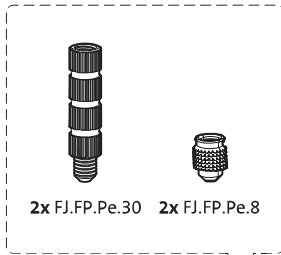
FJ.MT.AK3

FJ.MT.AK5x24

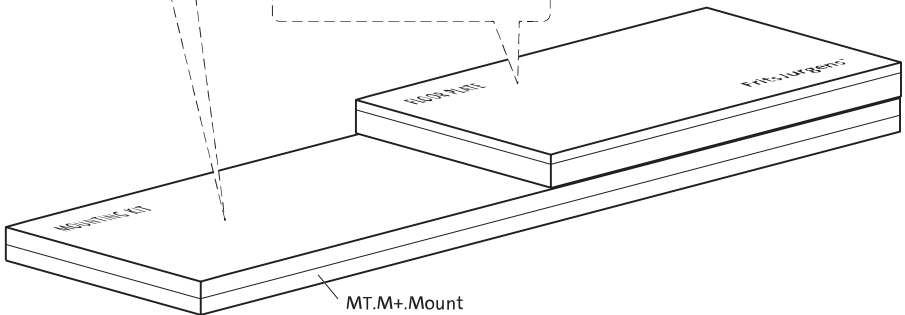


FJ.MT.AC.M+

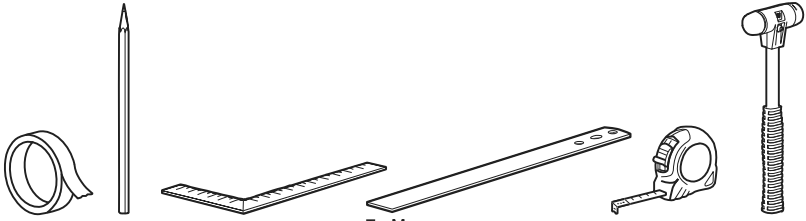
FJ.MT.AS.M



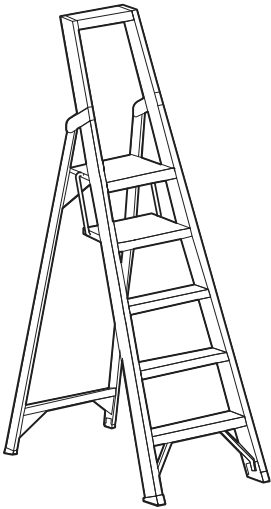
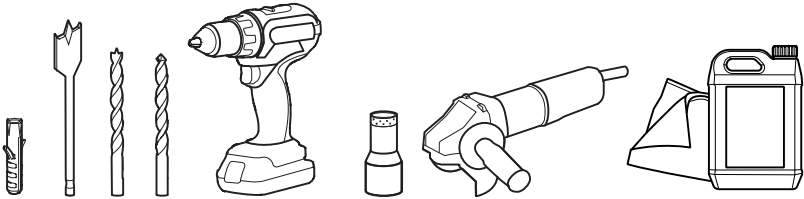
2x FJ.FP.Pe.30 2x FJ.FP.Pe.8

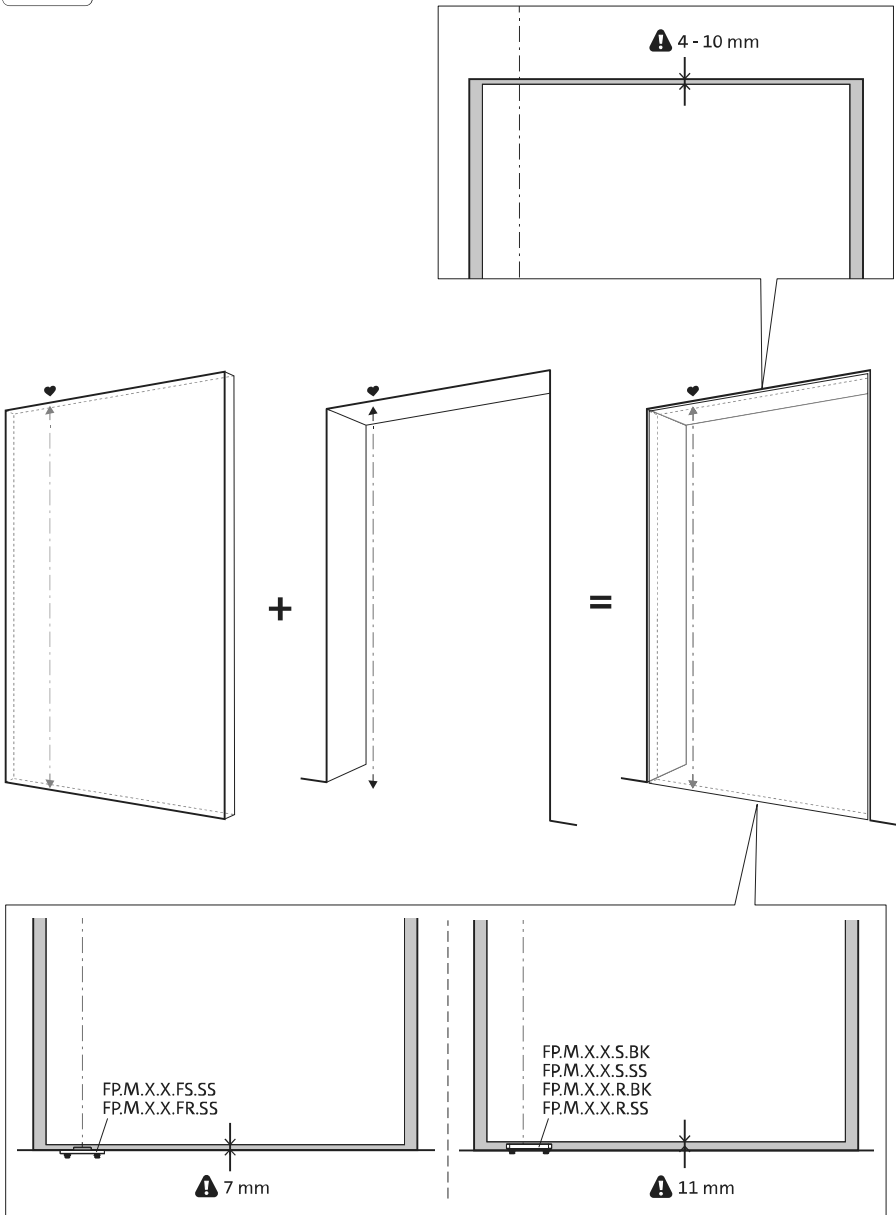


MT.M+.Mount

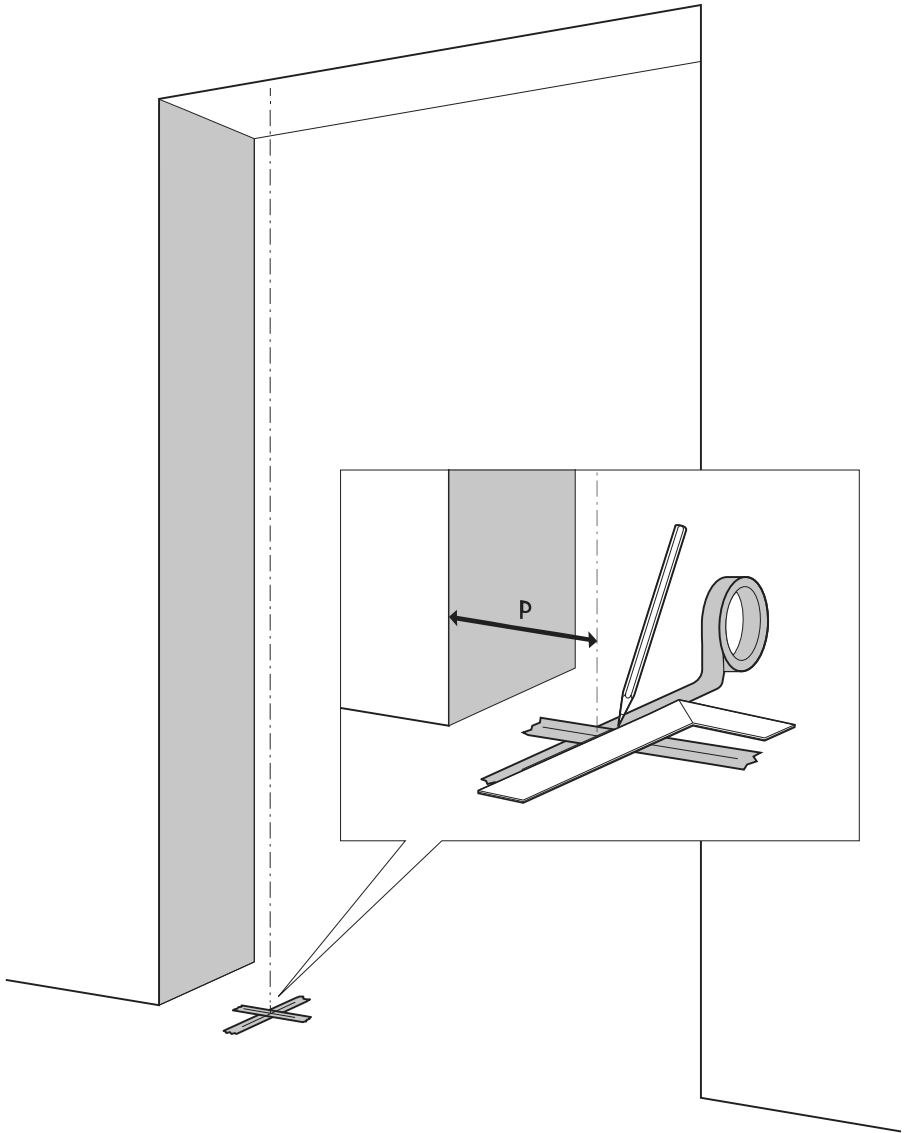


To.M

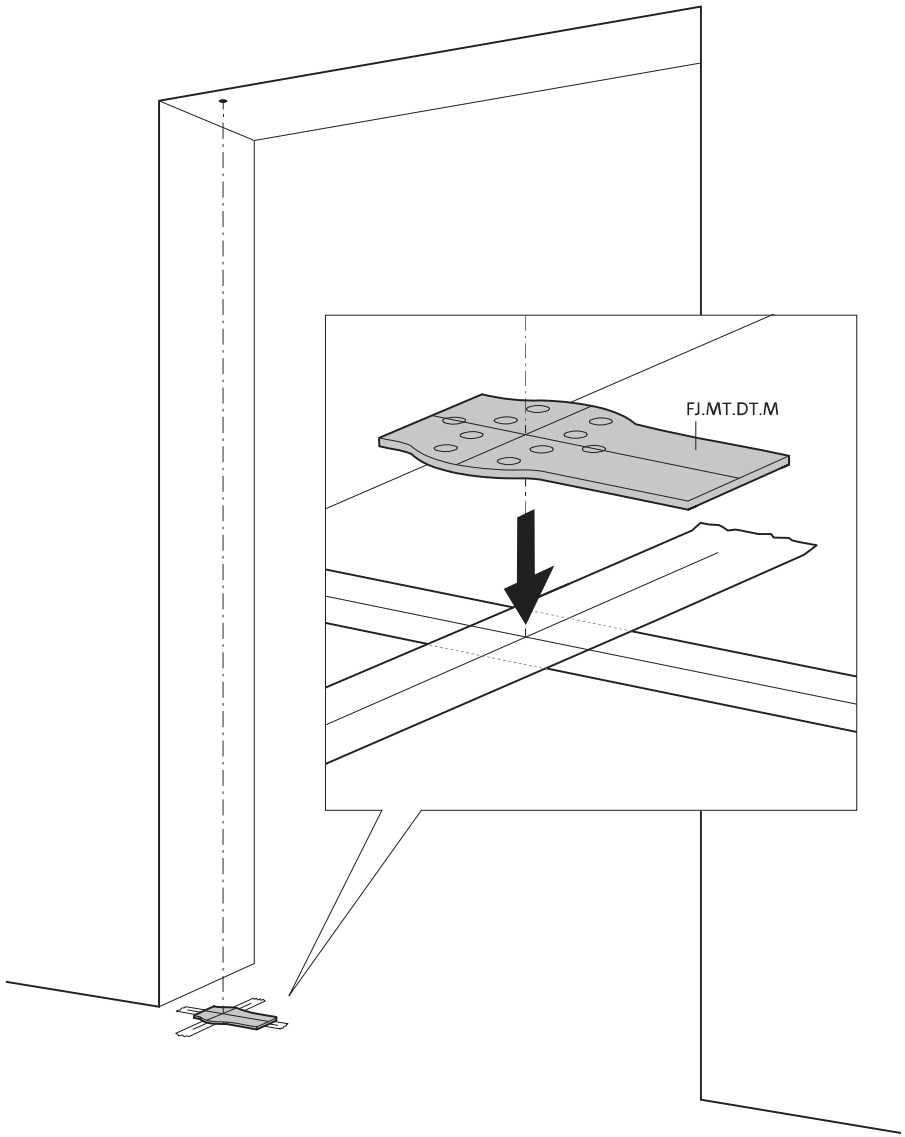


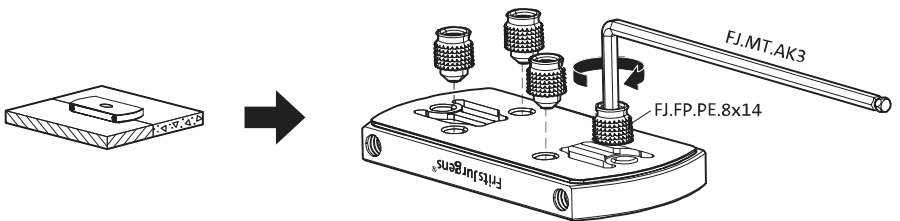
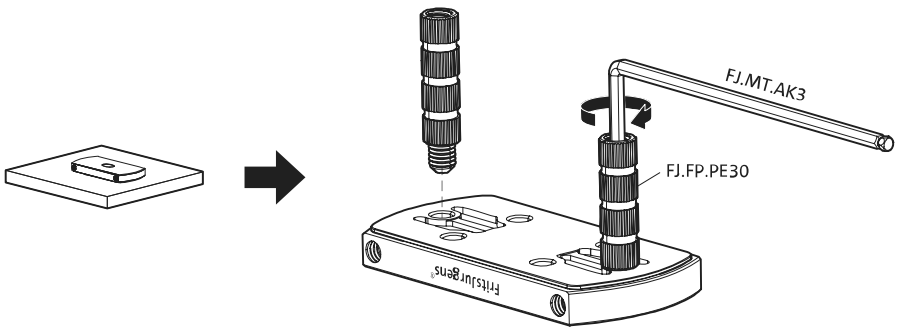
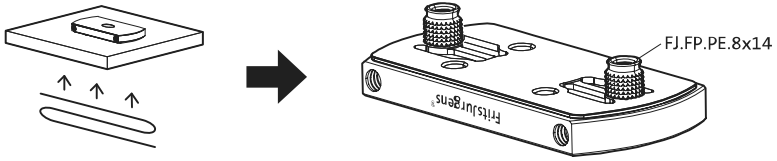






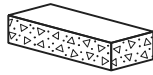
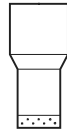




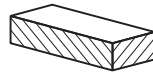




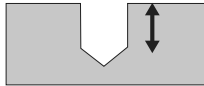
ø8 mm (5/16")



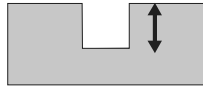
ø8 mm (5/16")



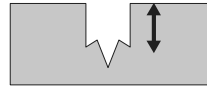
ø7.5 mm (19/64")



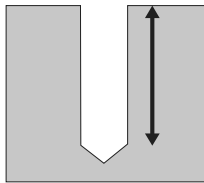
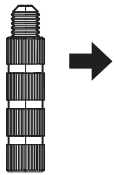
8 mm (5/16")



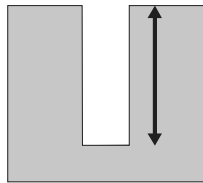
8 mm (5/16")



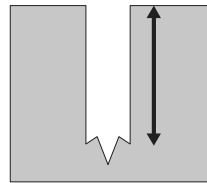
8 mm (5/16")



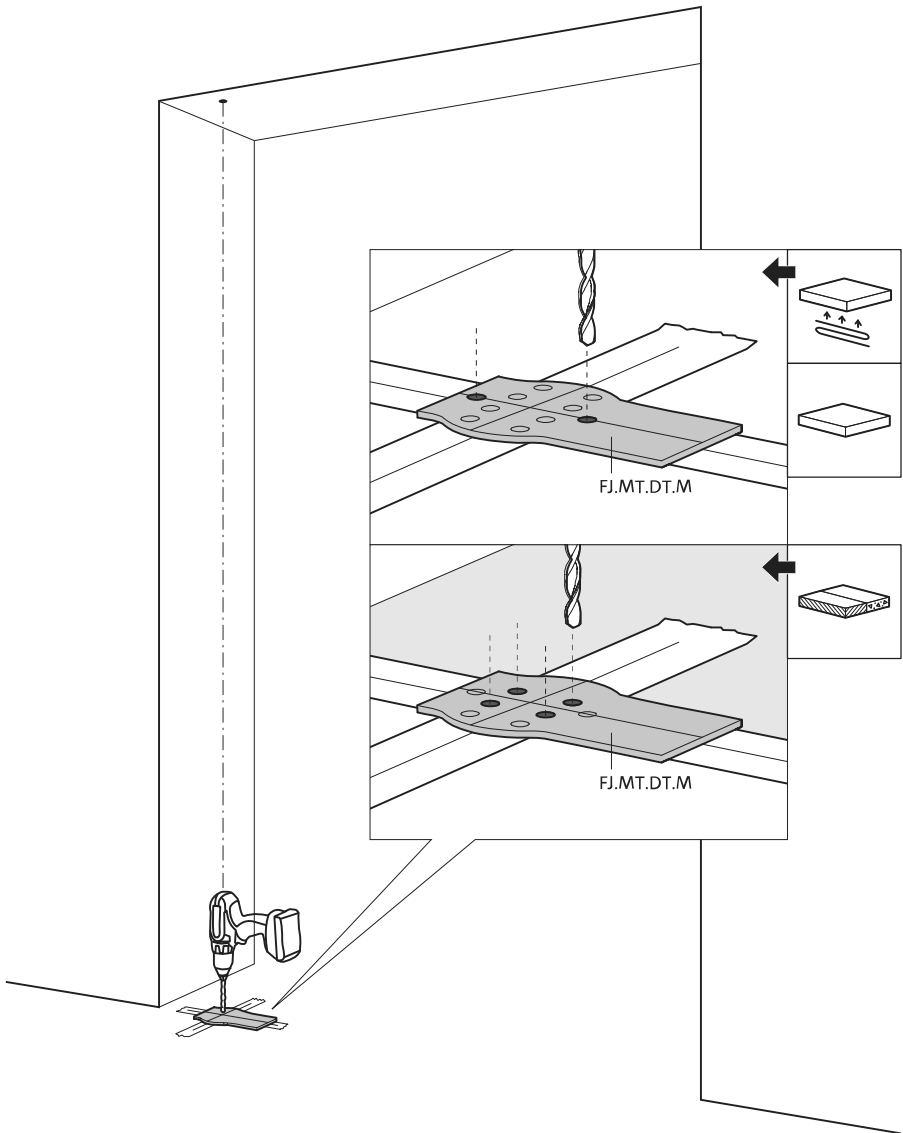
30 mm (13/16")

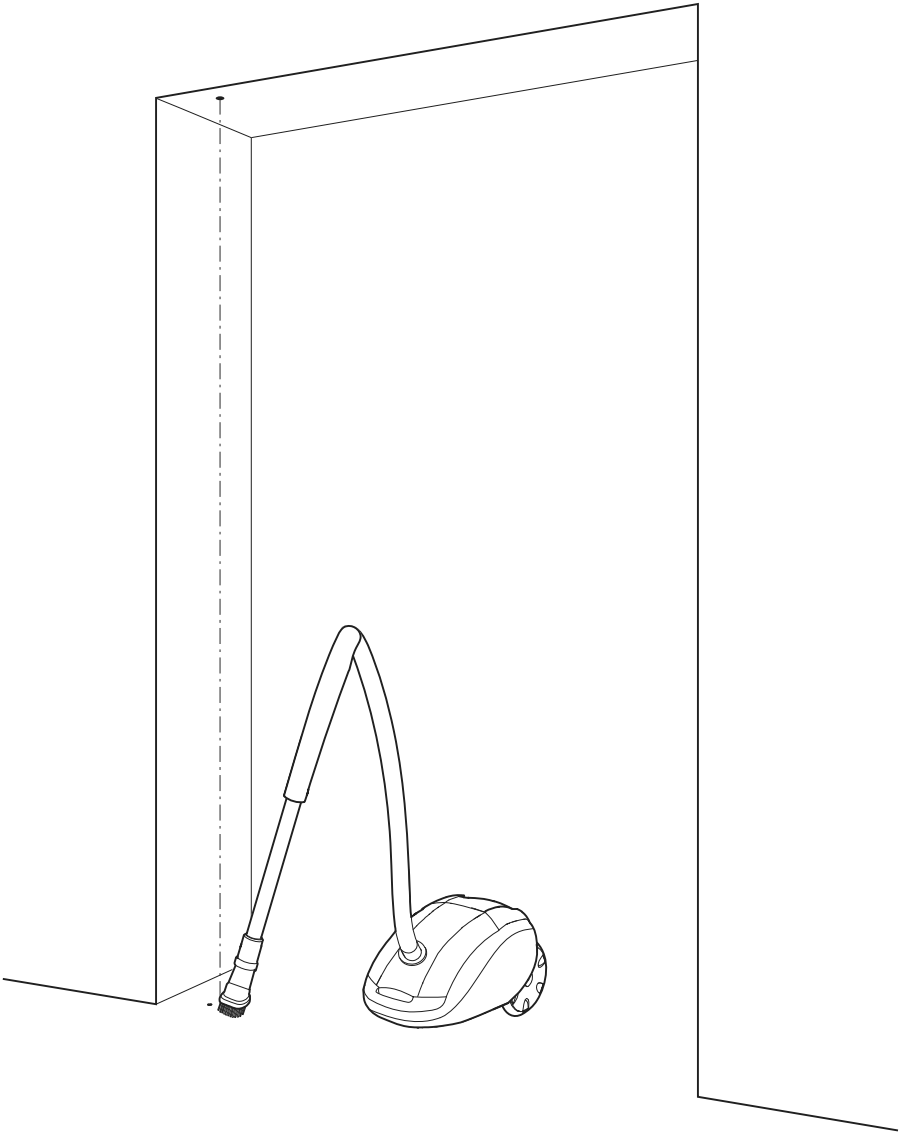


30 mm (13/16")



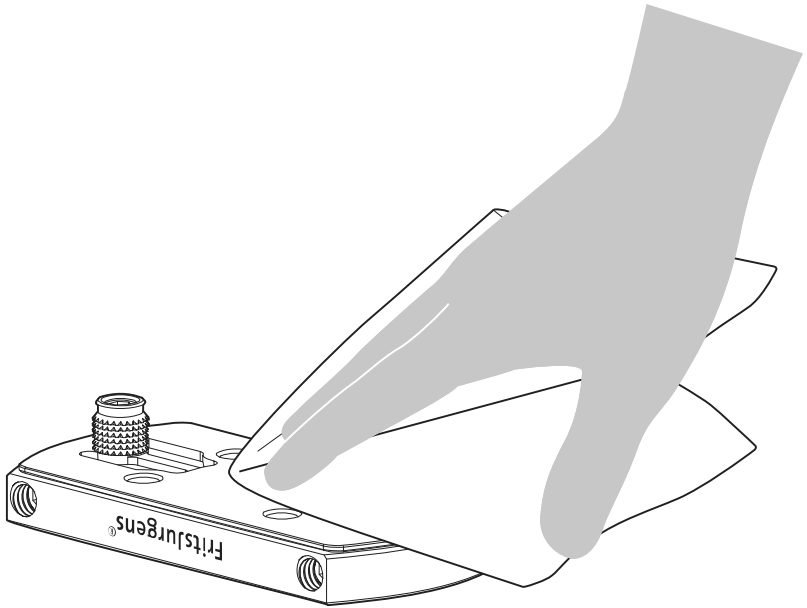
30 mm (13/16")



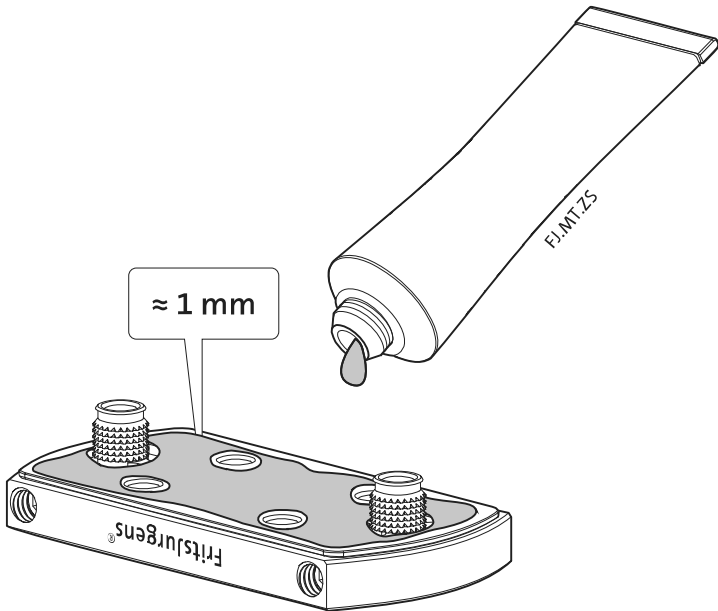


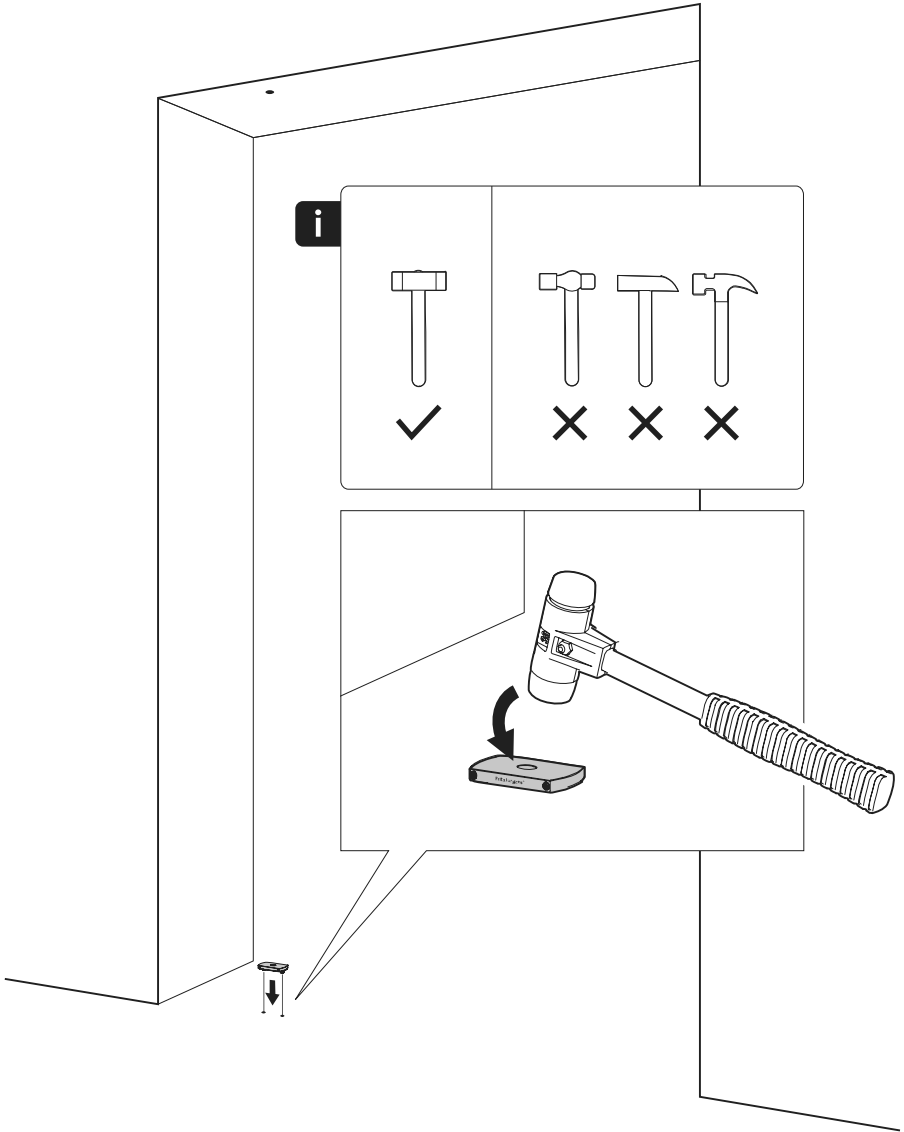


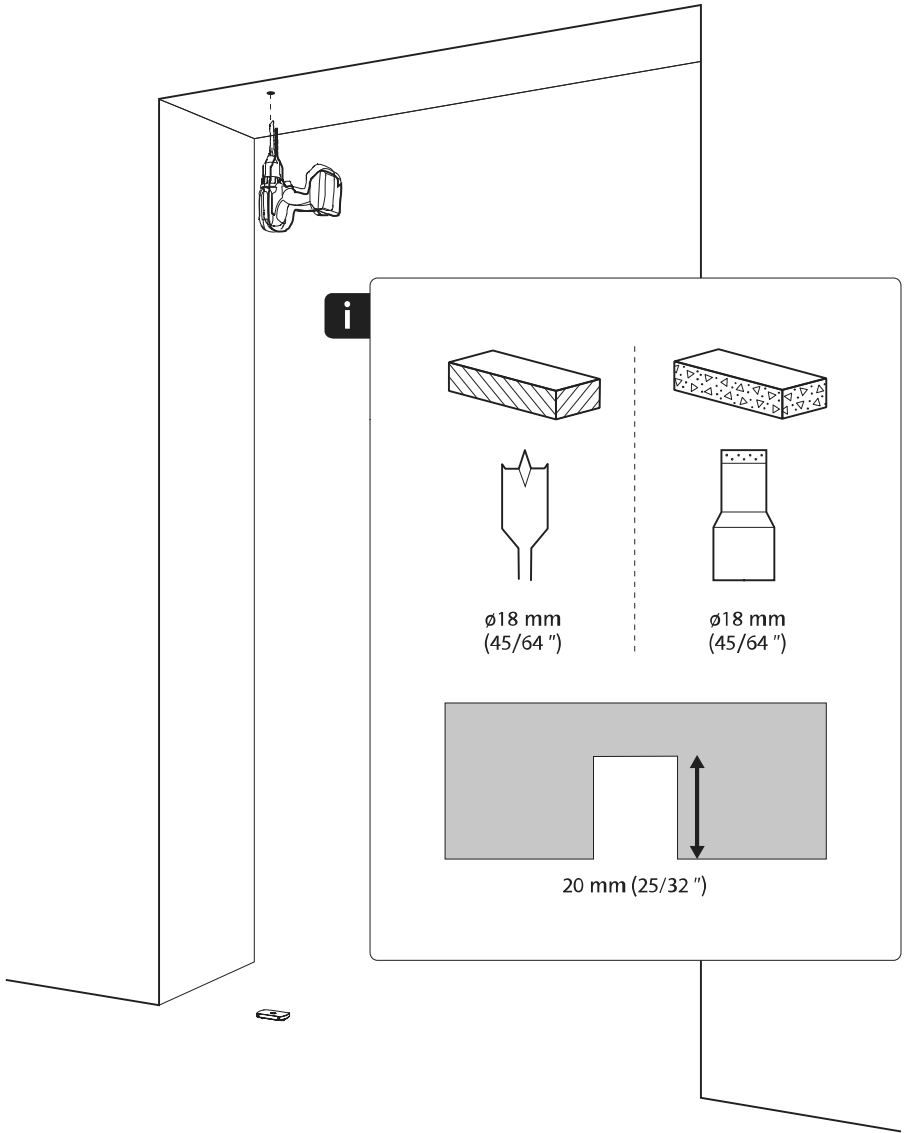
1



2

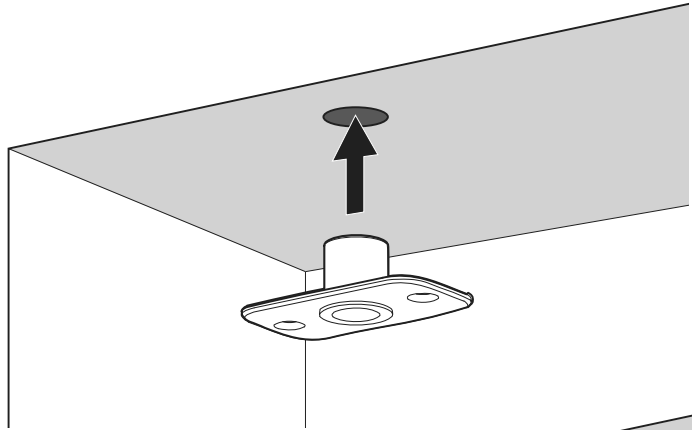




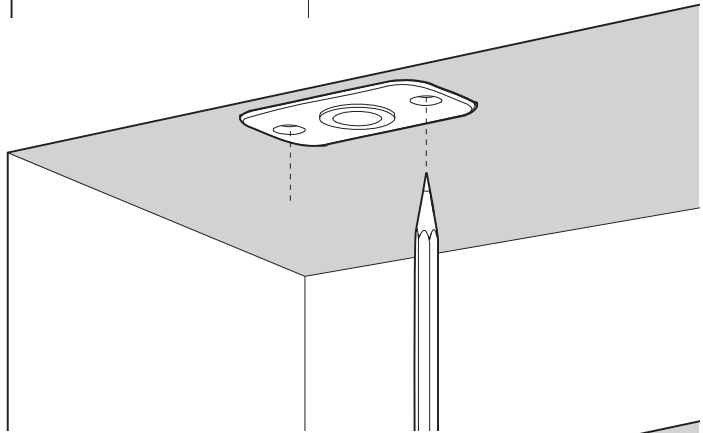




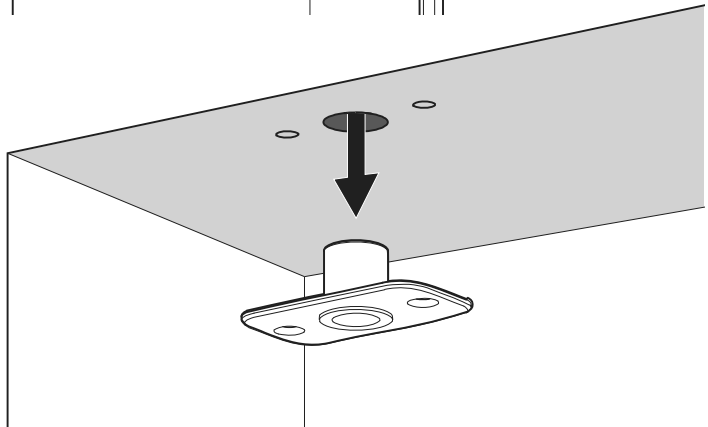
1



2

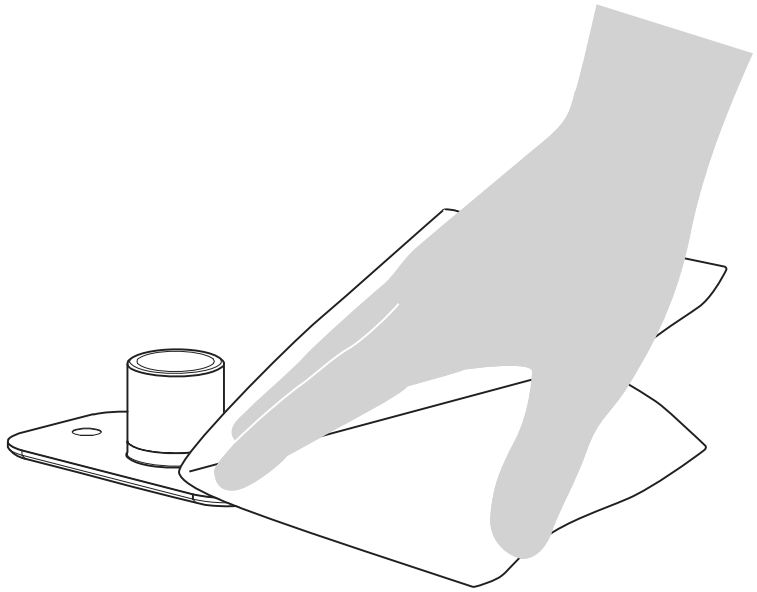


3

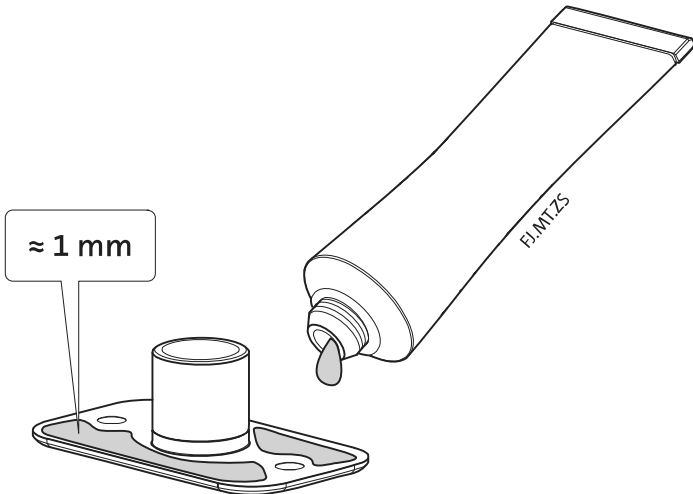


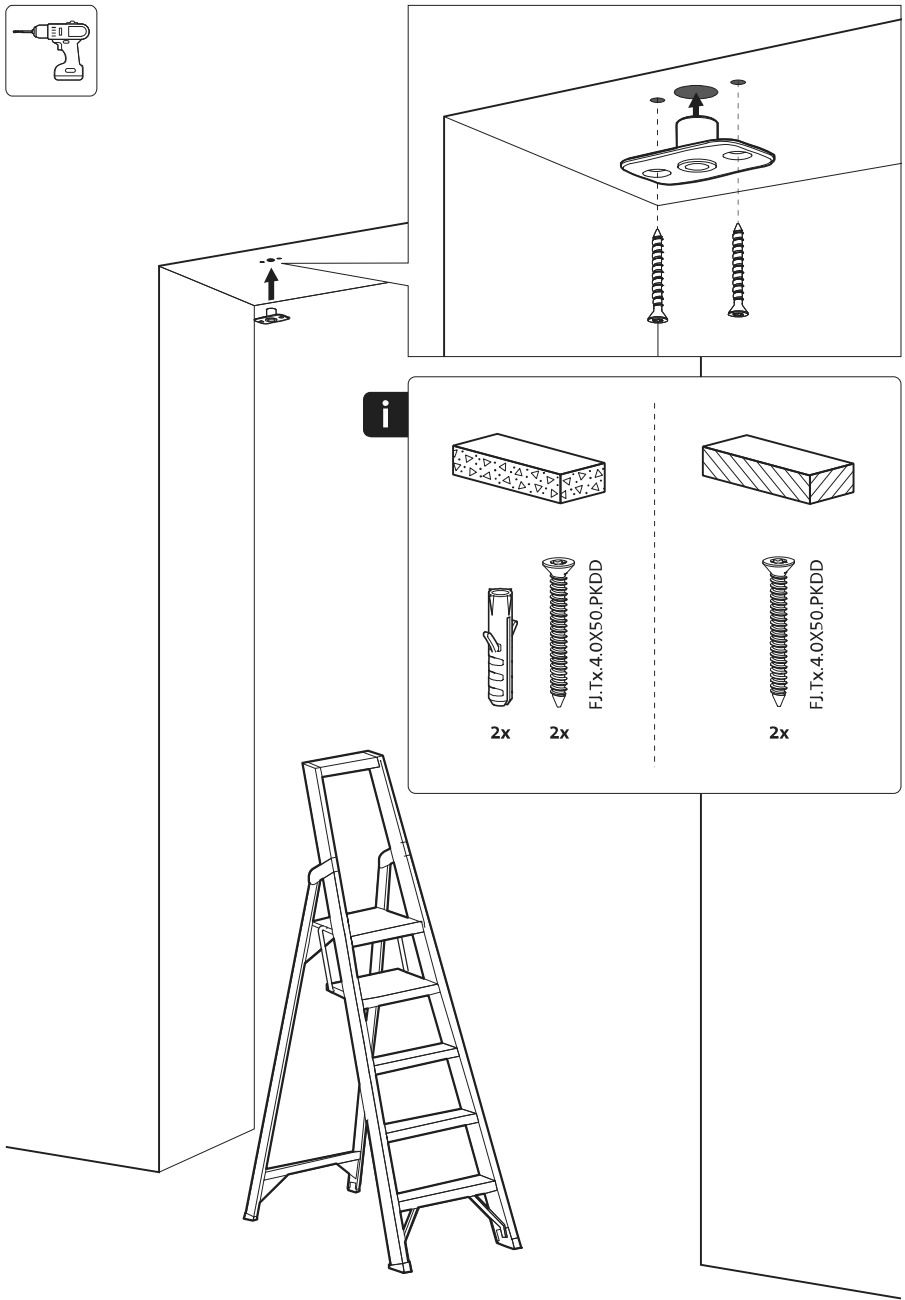


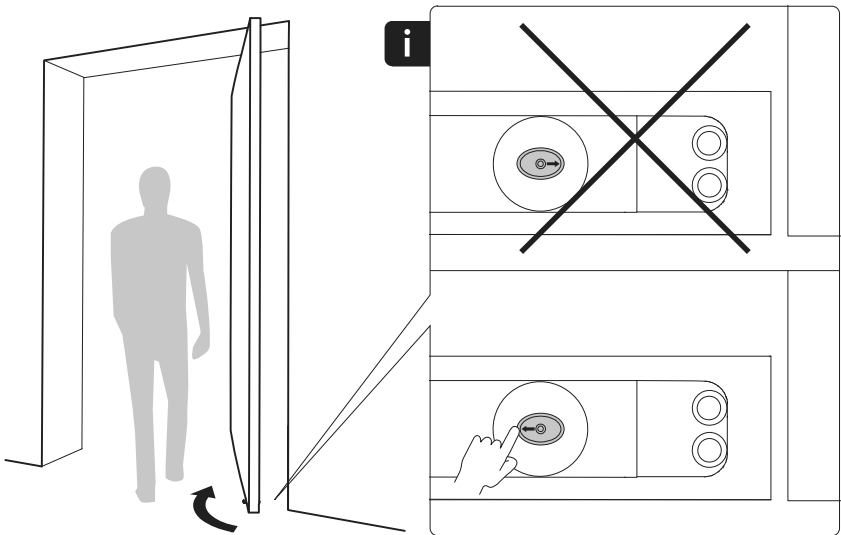
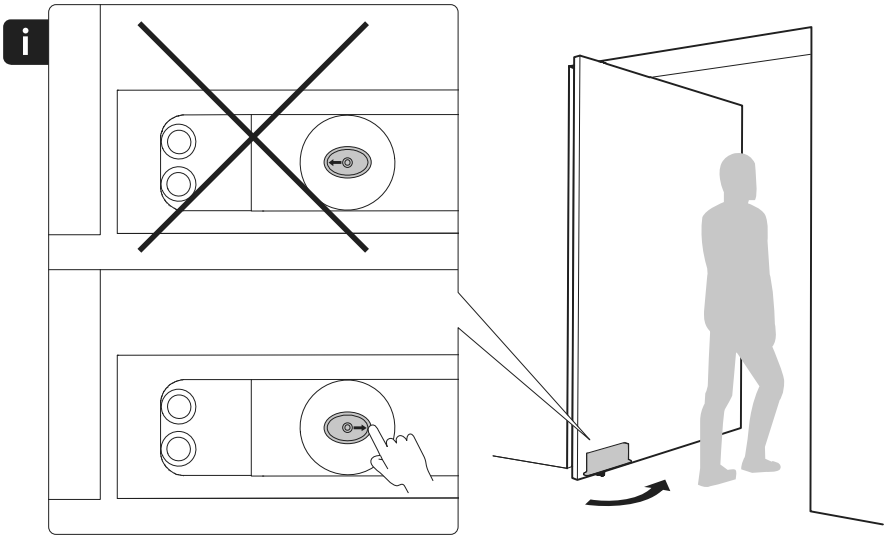
1

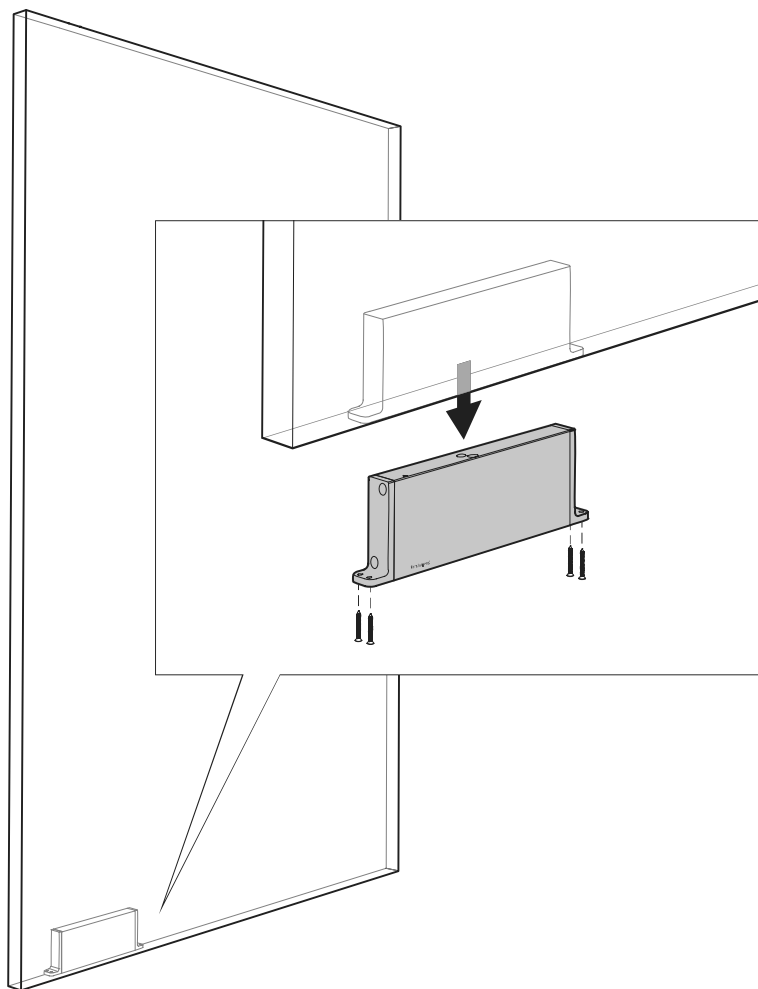


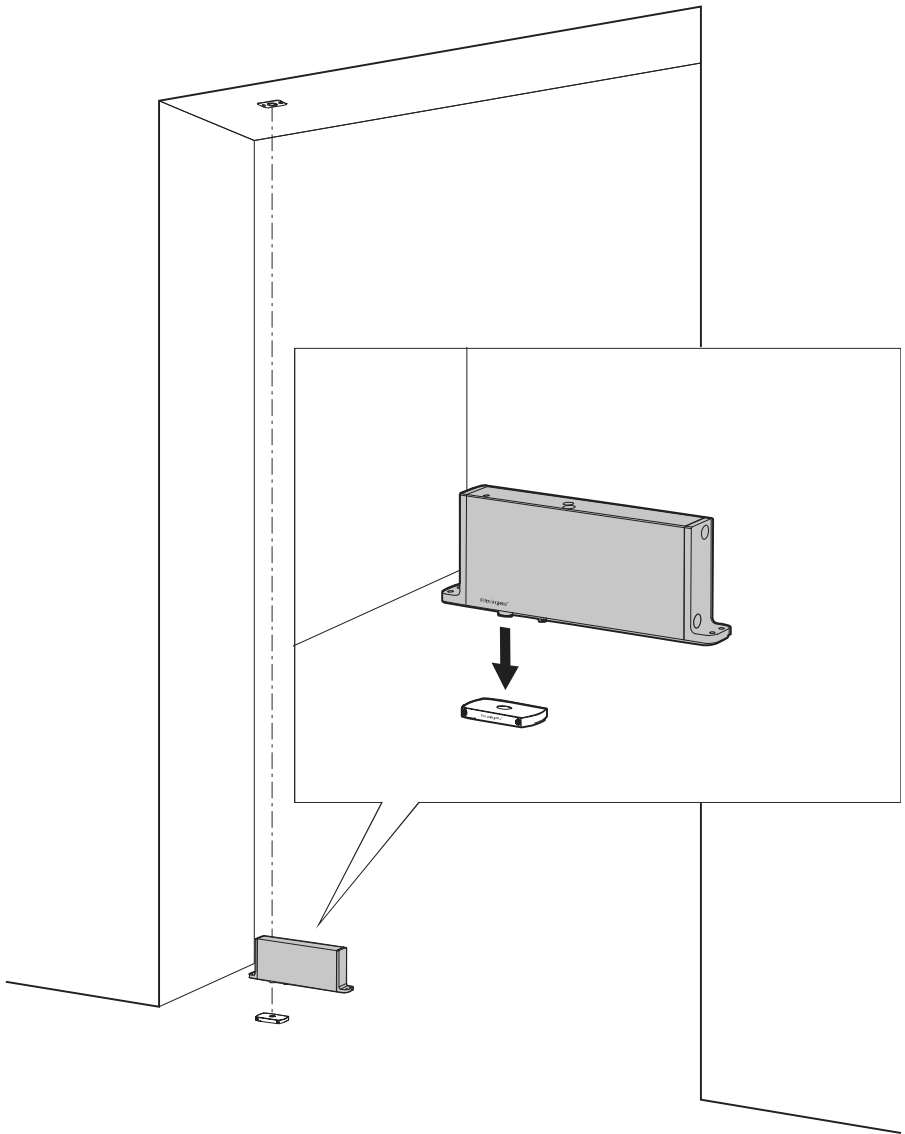
2

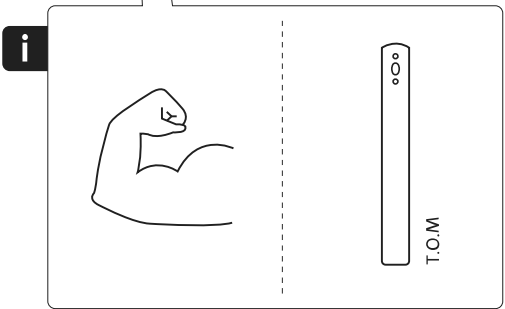
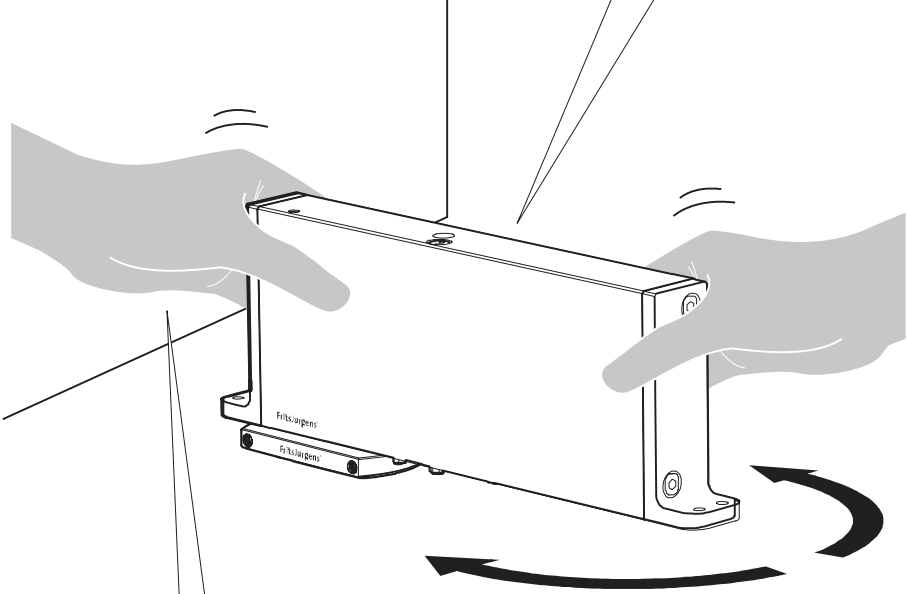
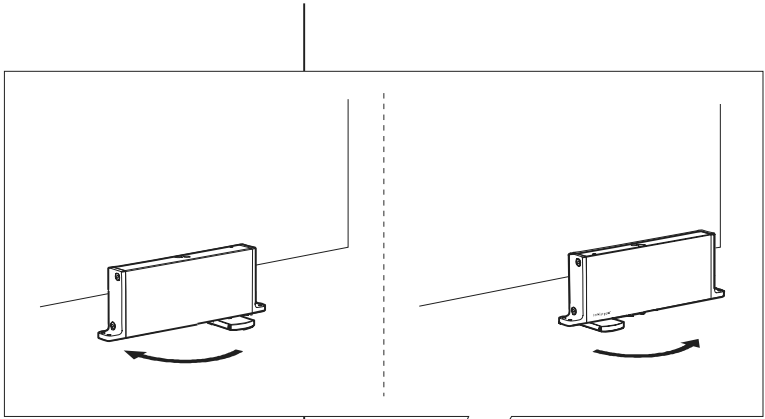


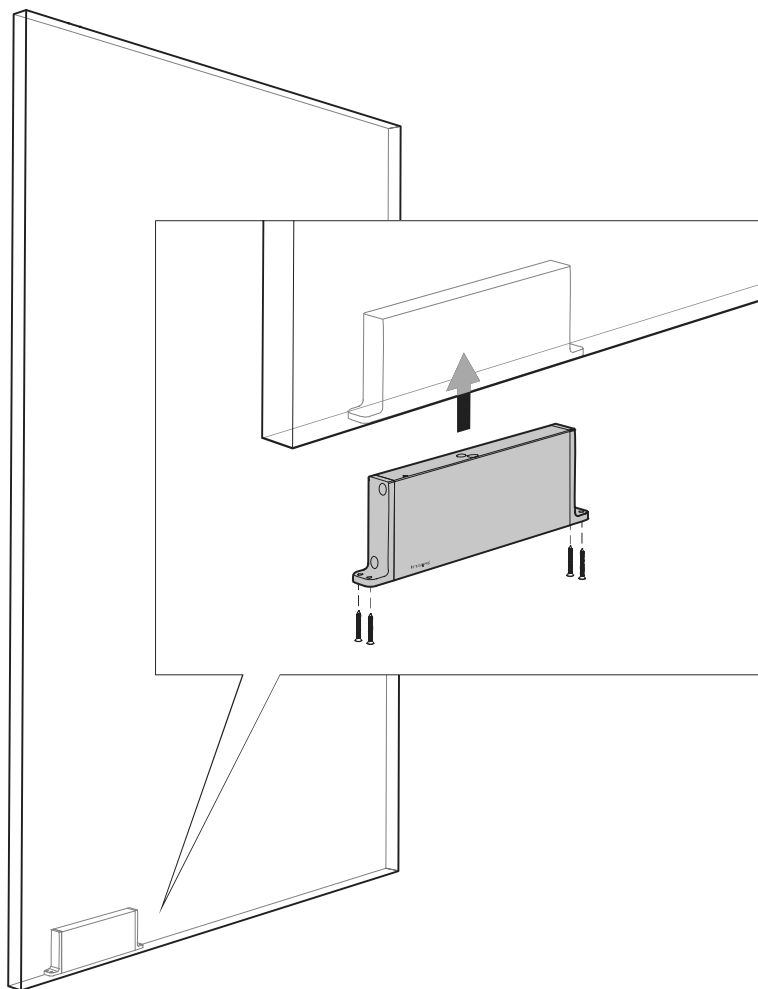


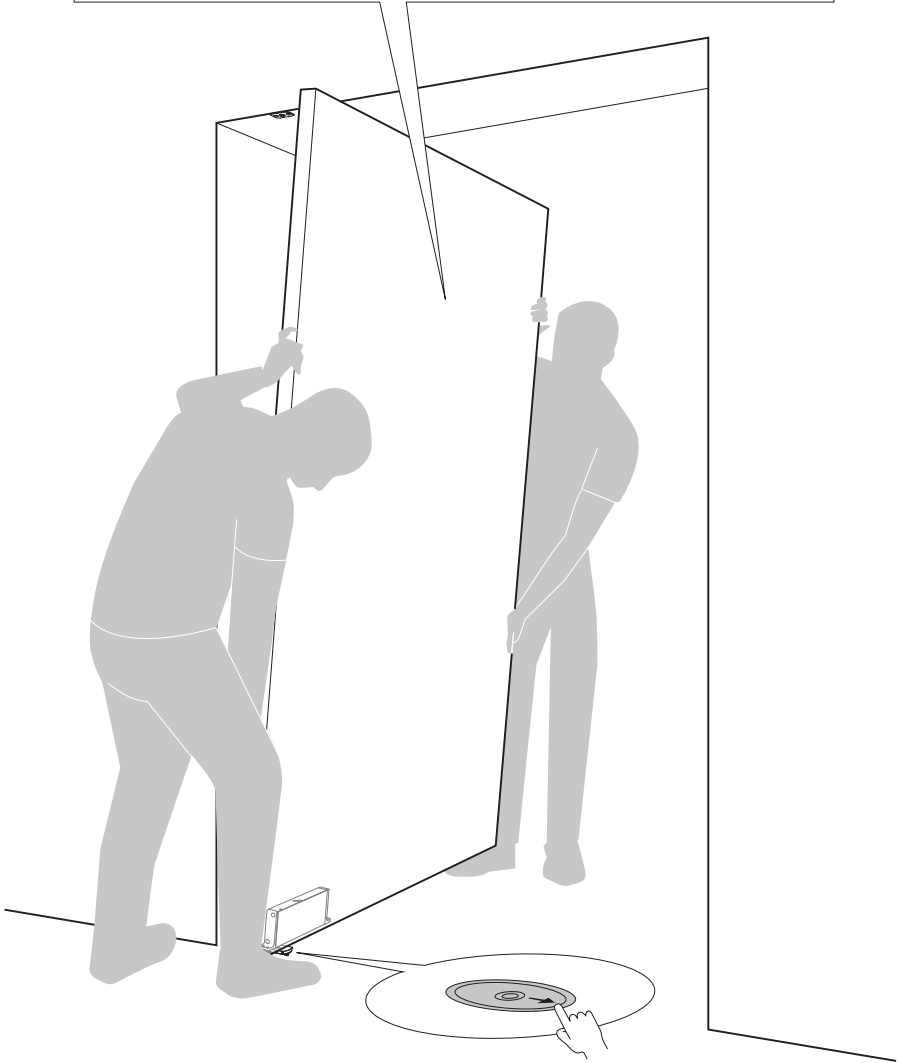
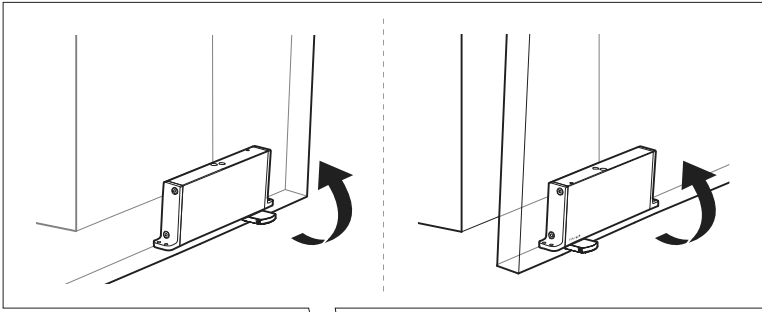


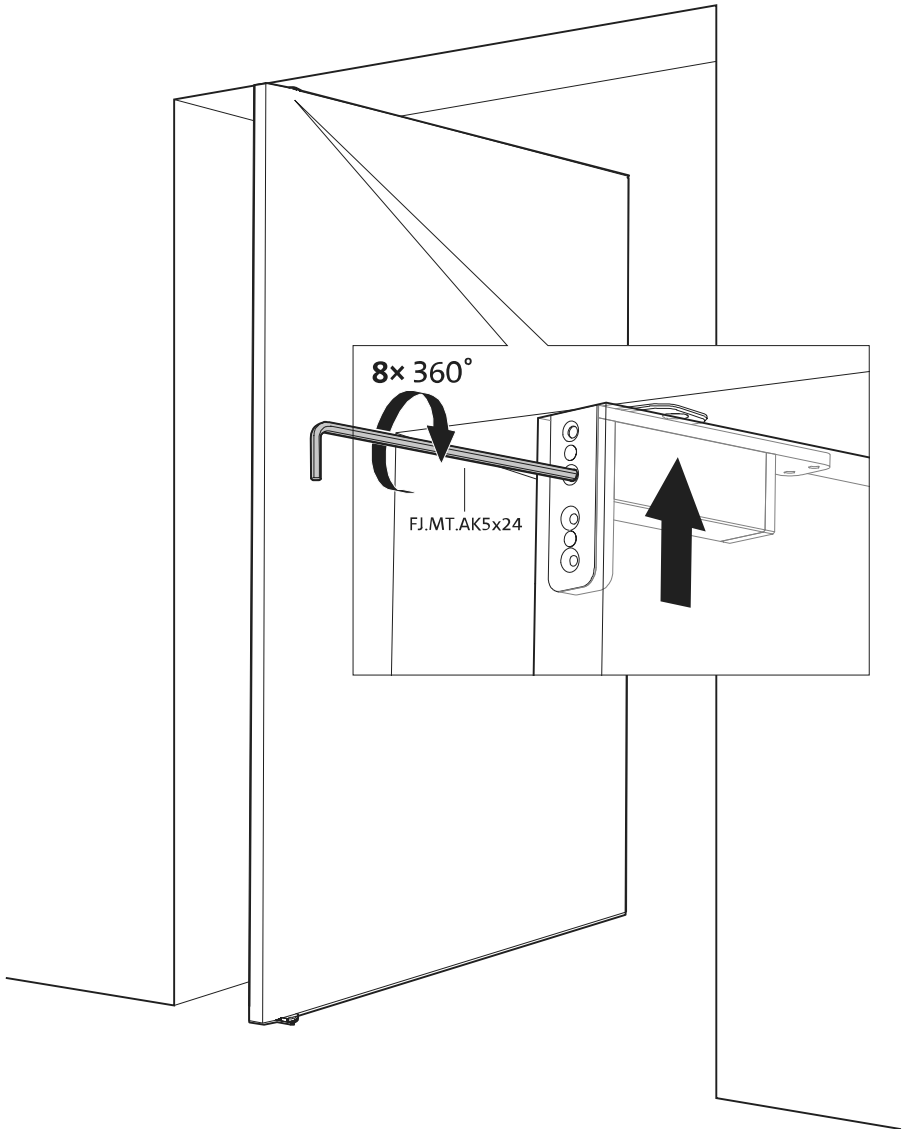
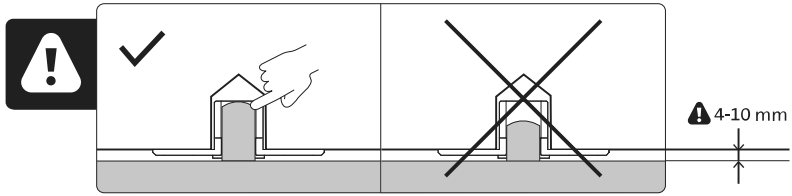


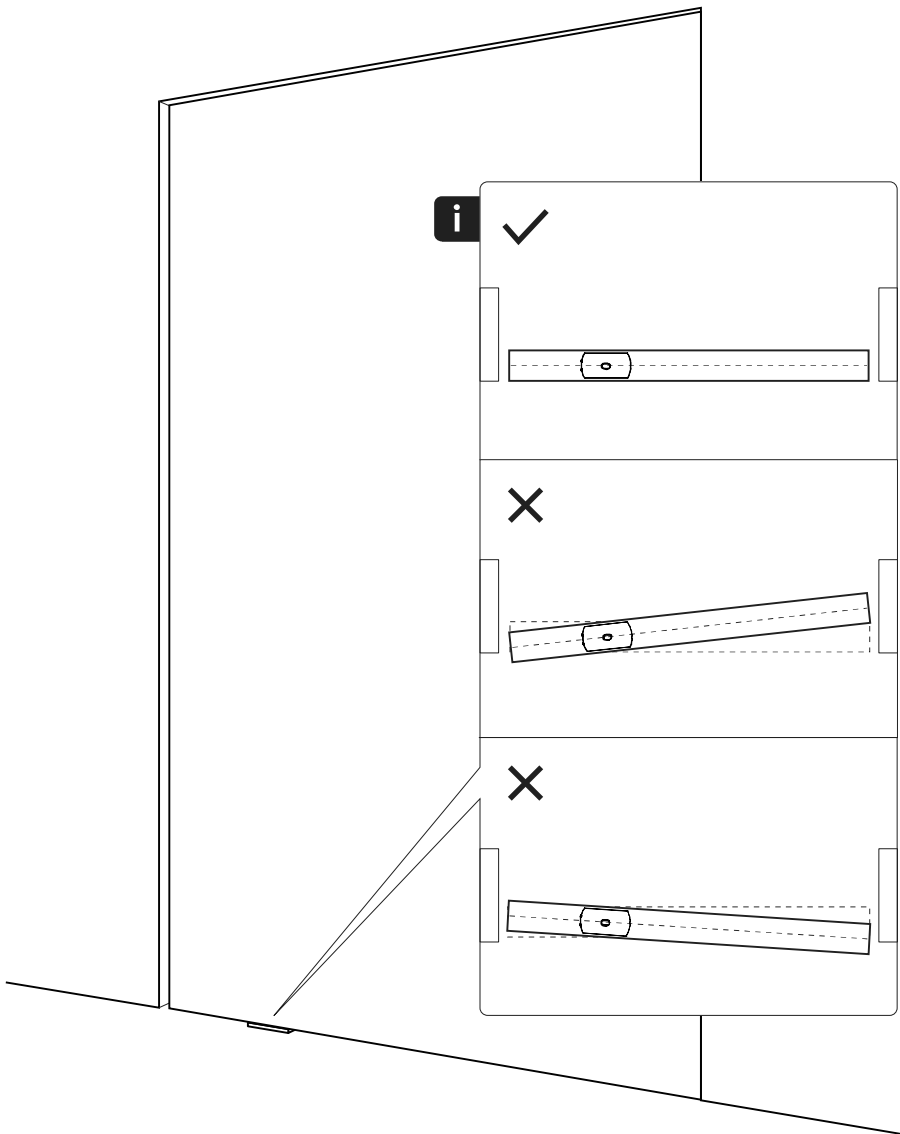


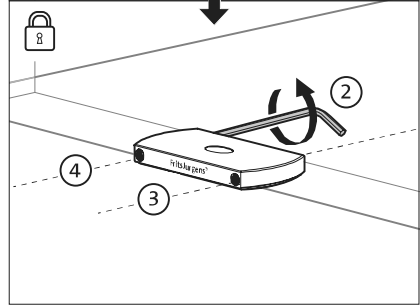
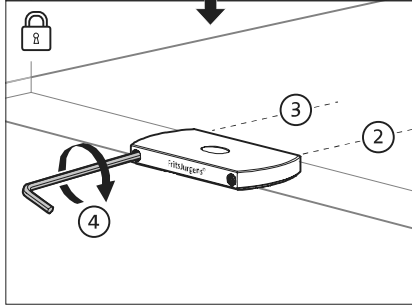
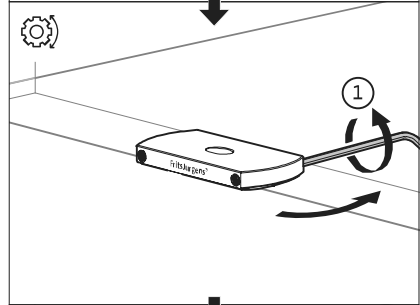
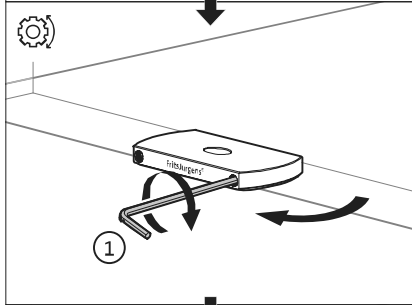
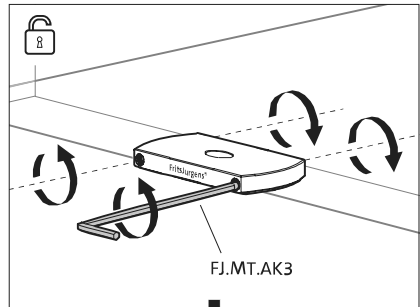
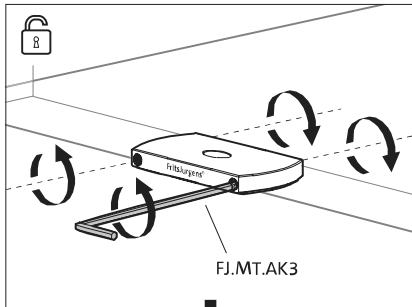
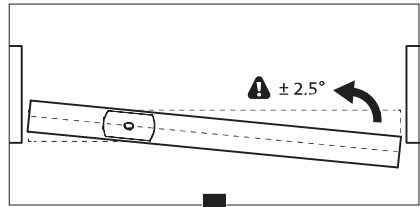
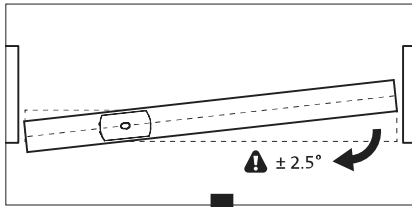


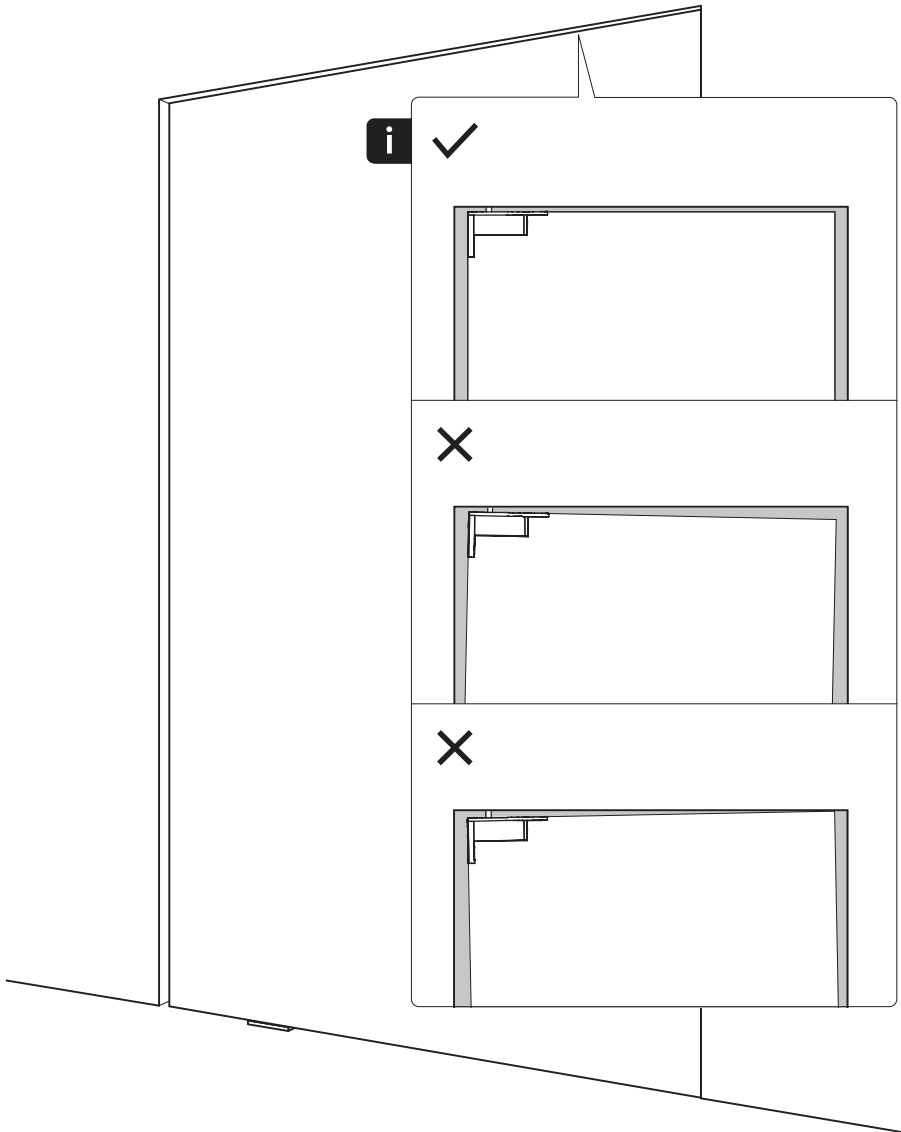


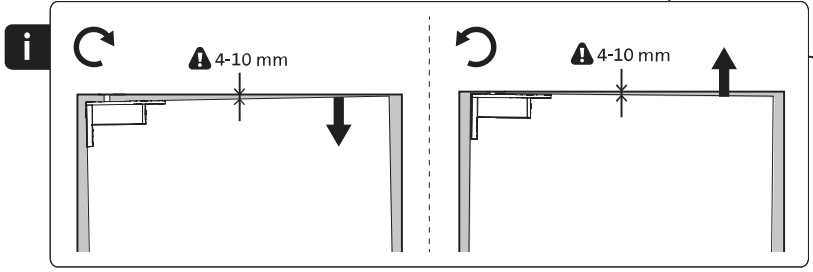
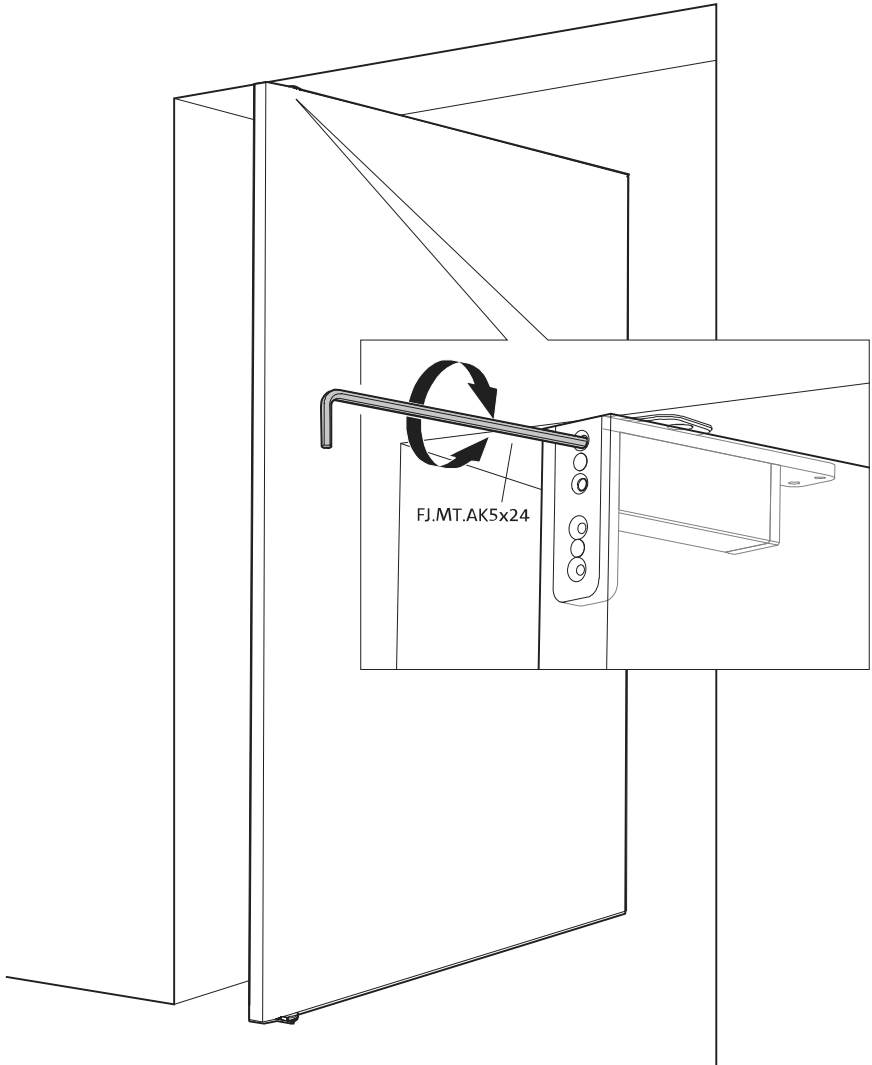


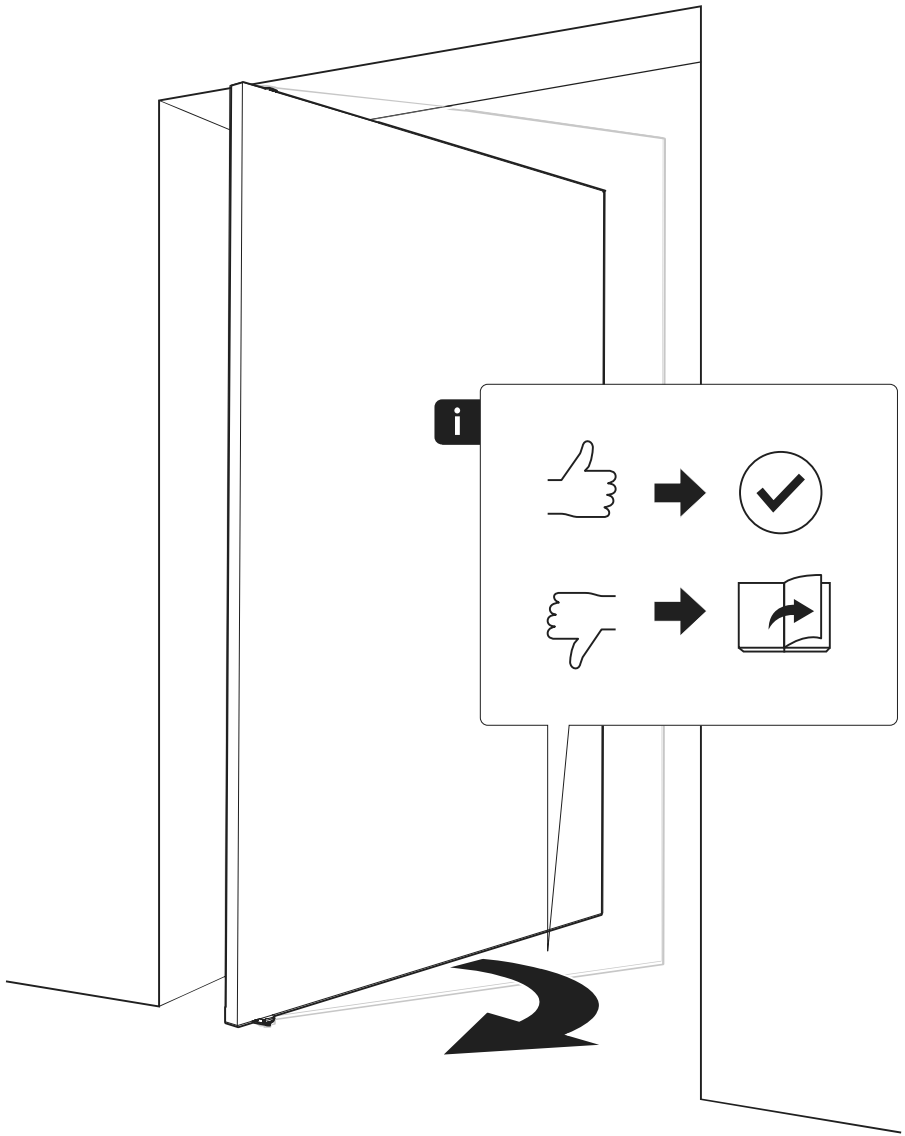






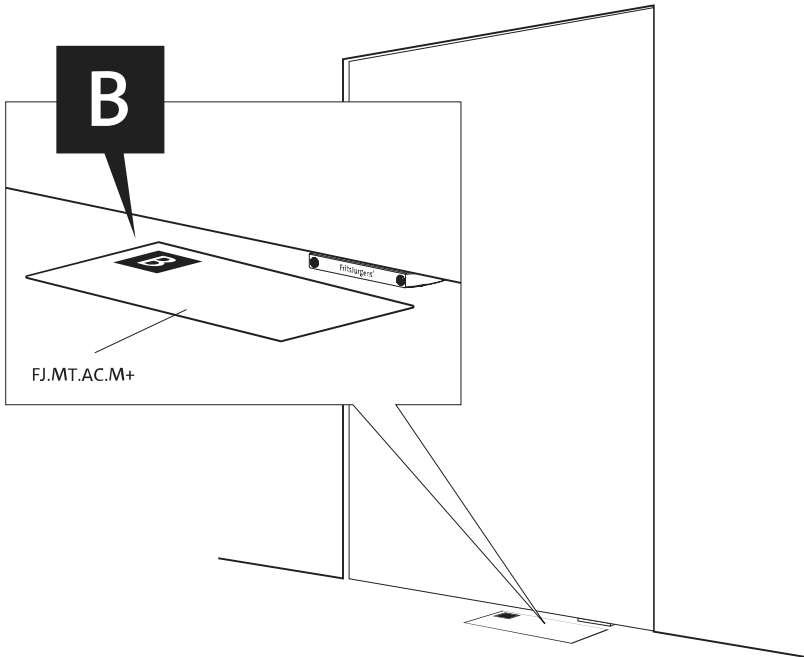
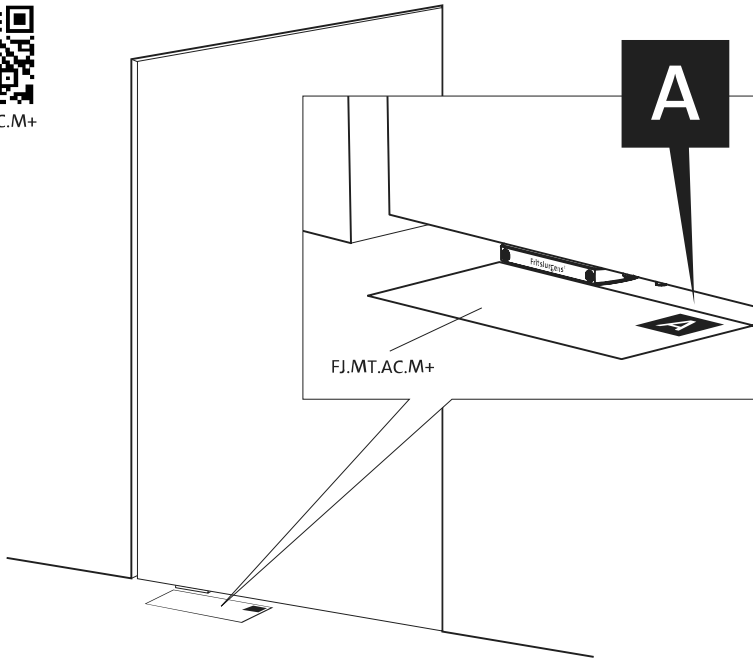


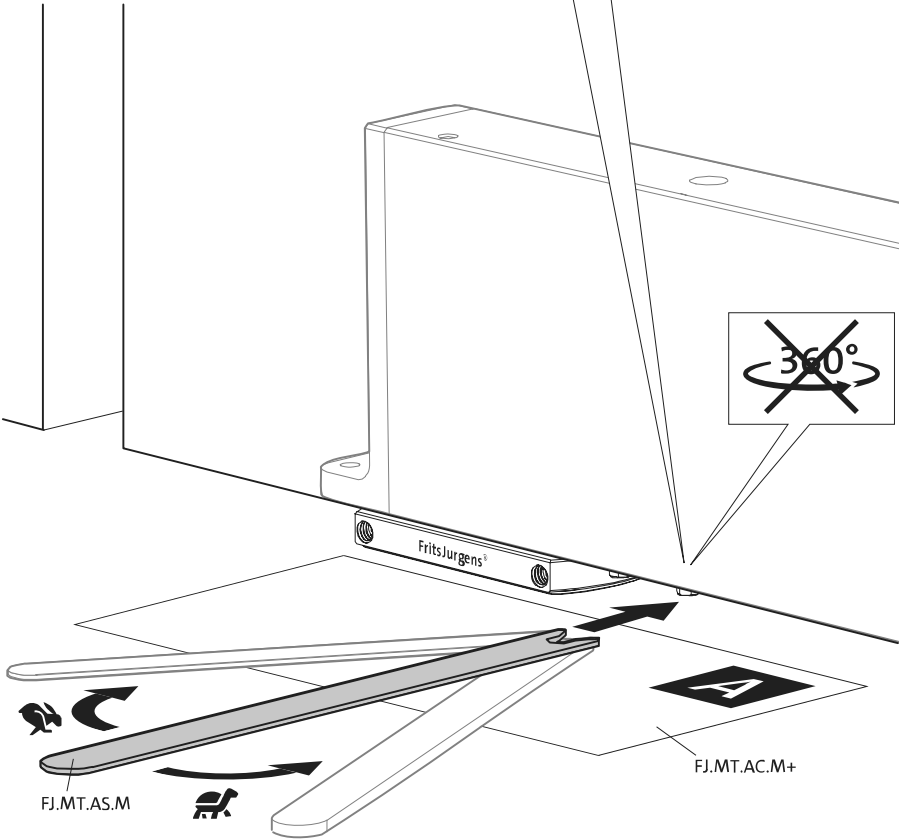
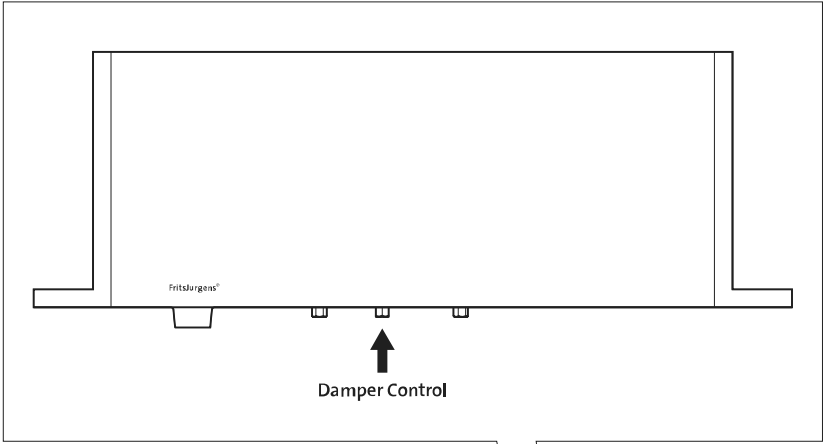


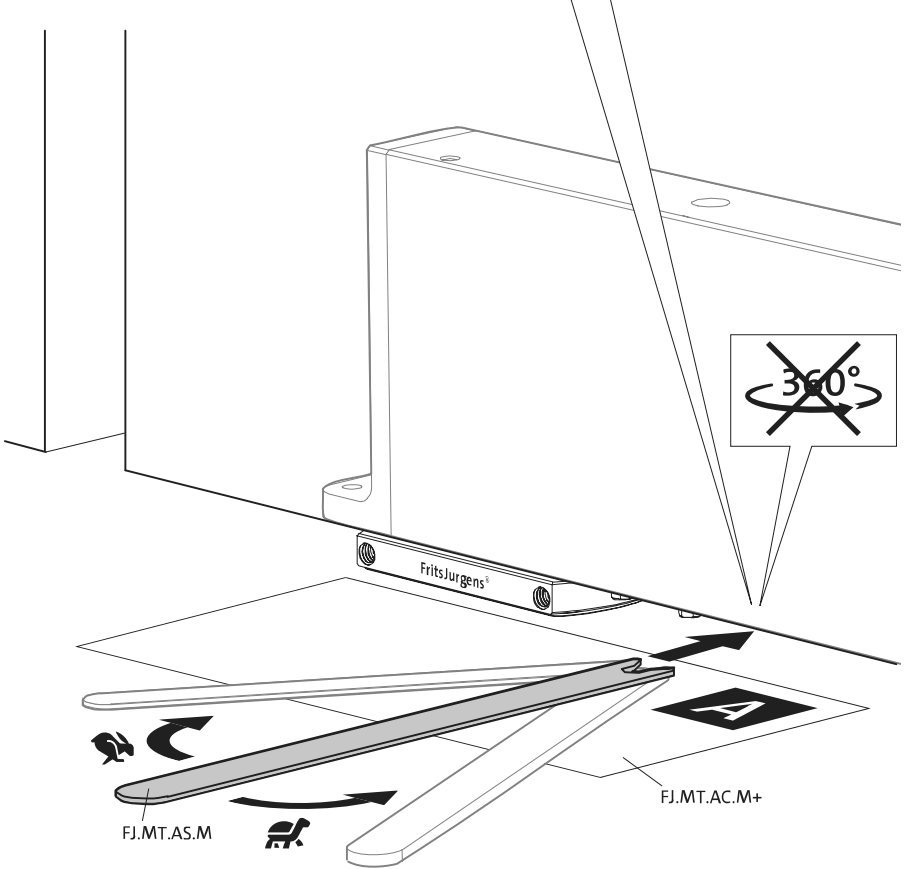
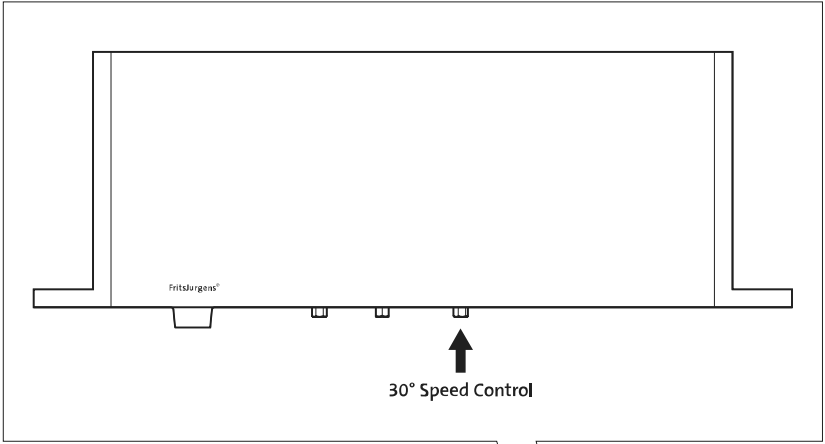


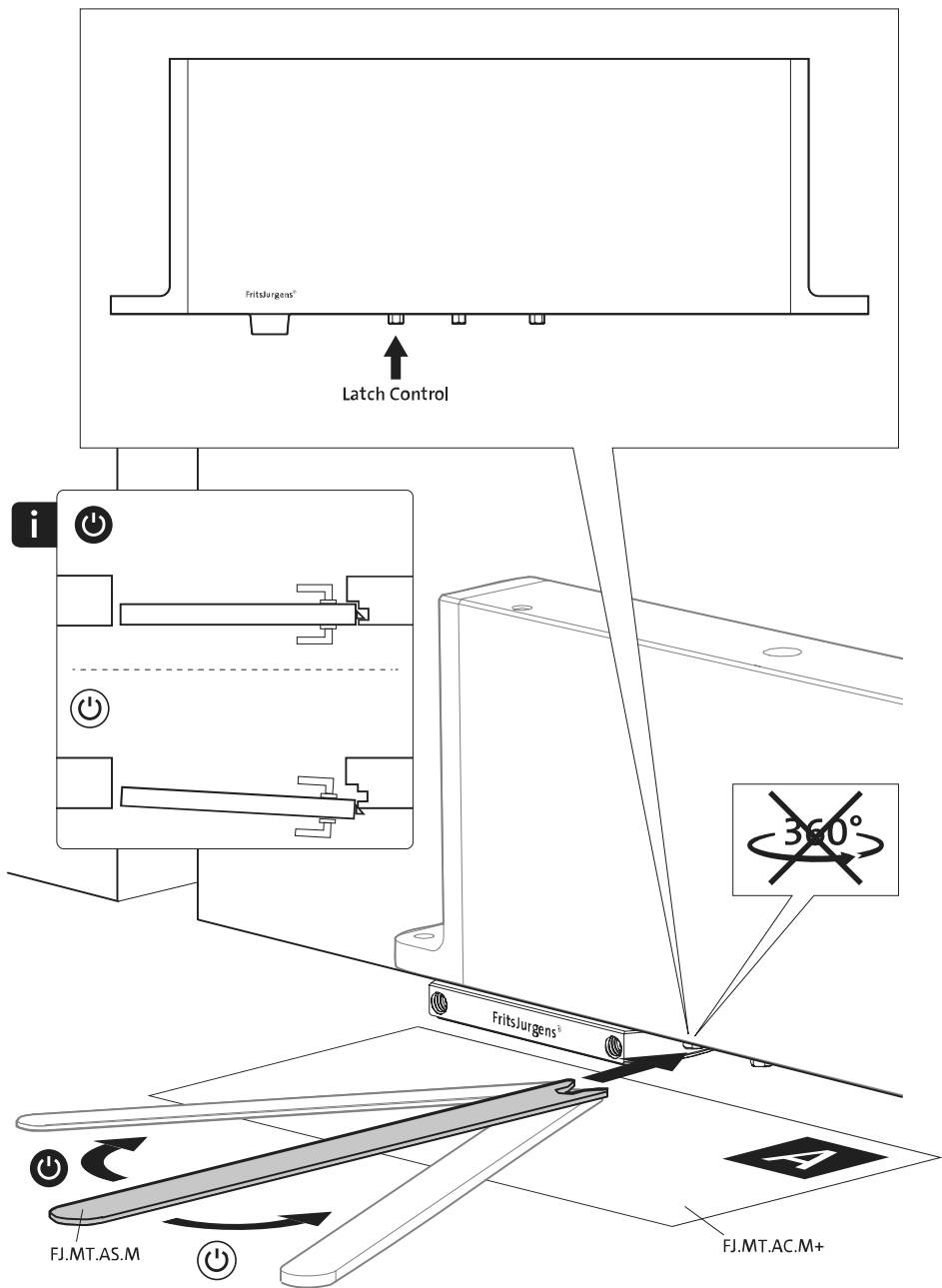


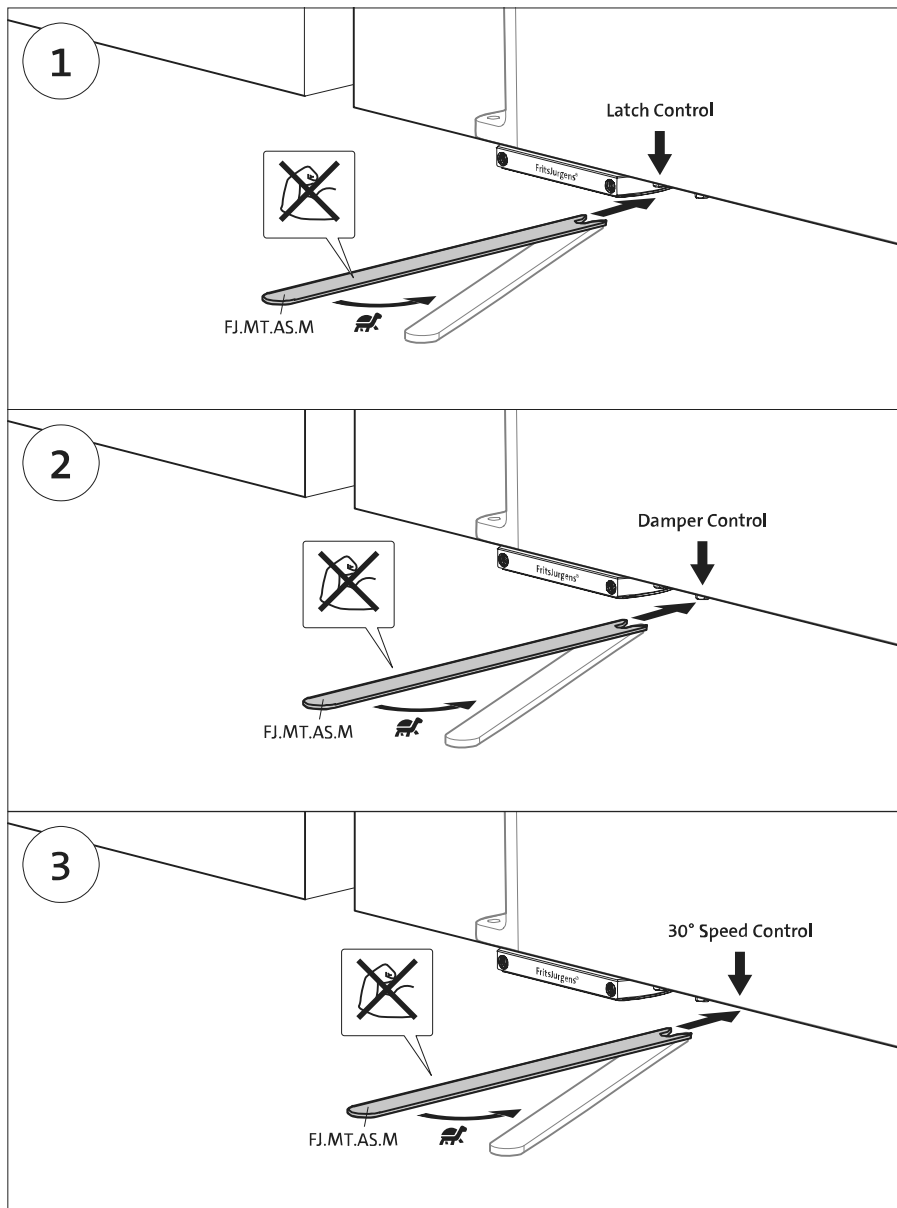
FJ.MT.AC.M+

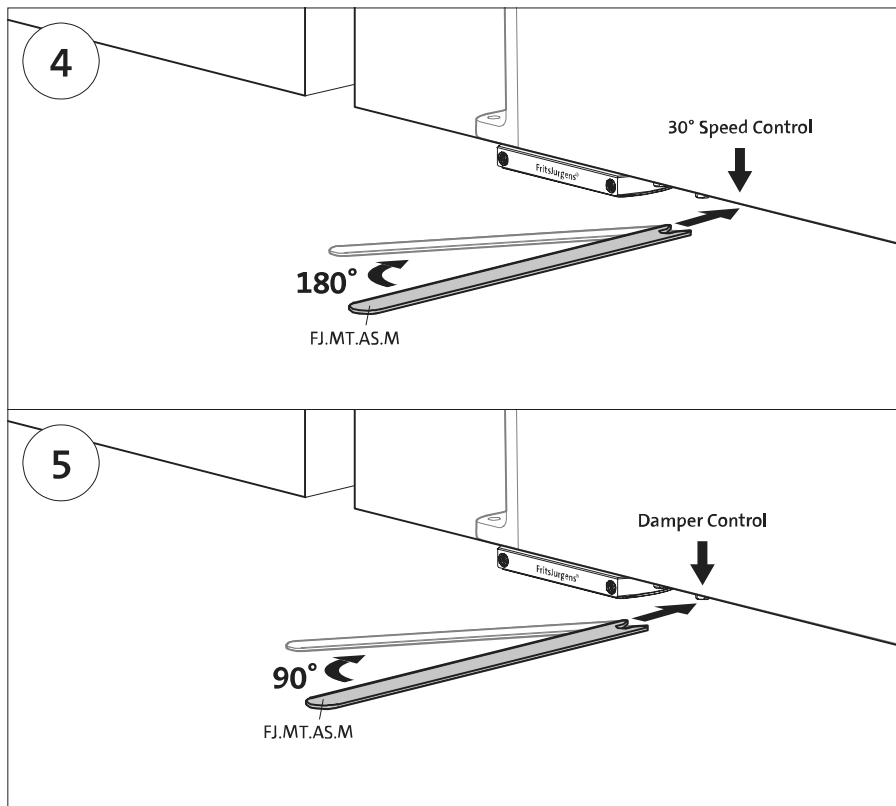




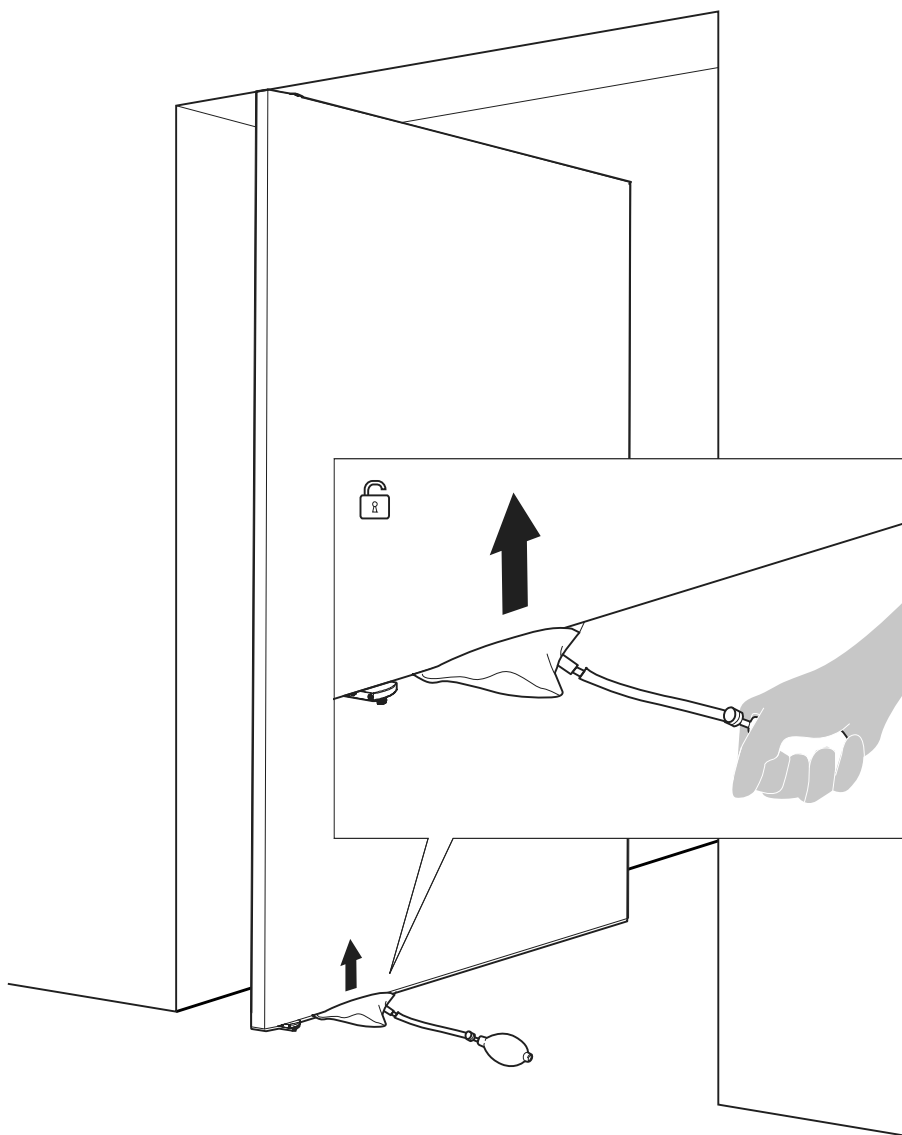


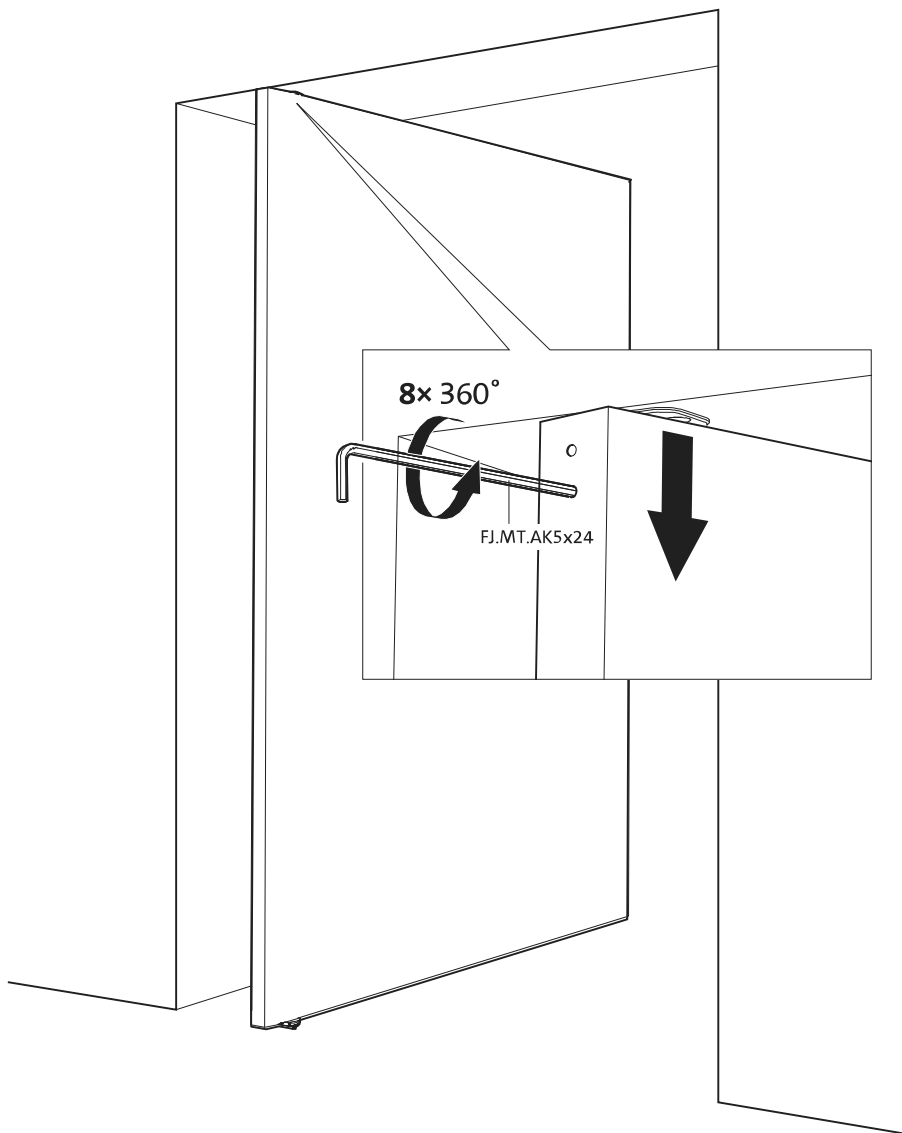






Istruzioni di smontaggio







FritsJurgens International

A. Einsteinlaan 1

Paesi Bassi

9615 TE Kolham

+31 598 343 410

info@fritsjurgens.com

FritsJurgens Dubai Branch

DLC-OP-A2-4-0029

Dubai South

Dubai

Emirati Arabi Uniti

+971 4 820 8106

+971 58 137 2611

dubai@fritsjurgens.com

fritsjurgens.com

Copyright © FritsJurgens®
BPM+.40.G.X.SS



