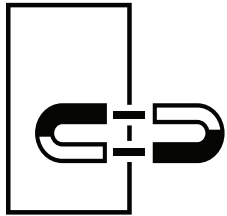


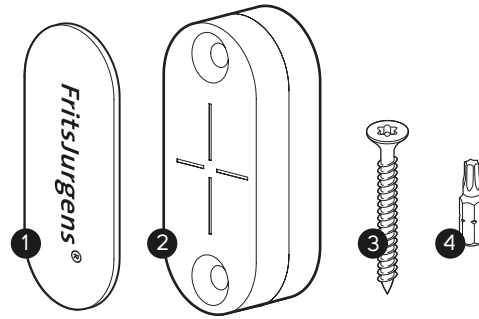
FritsJurgens® FLUSH




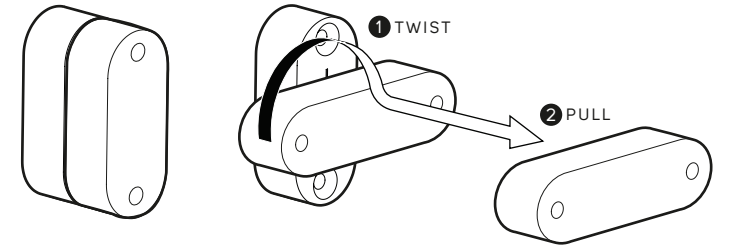
ART.707001

ART.707002

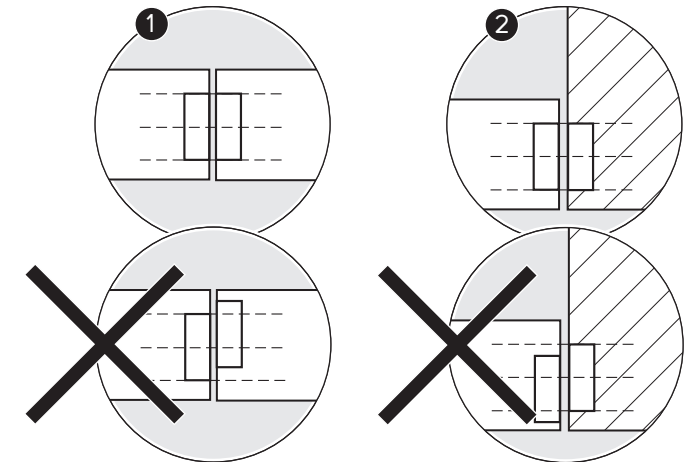
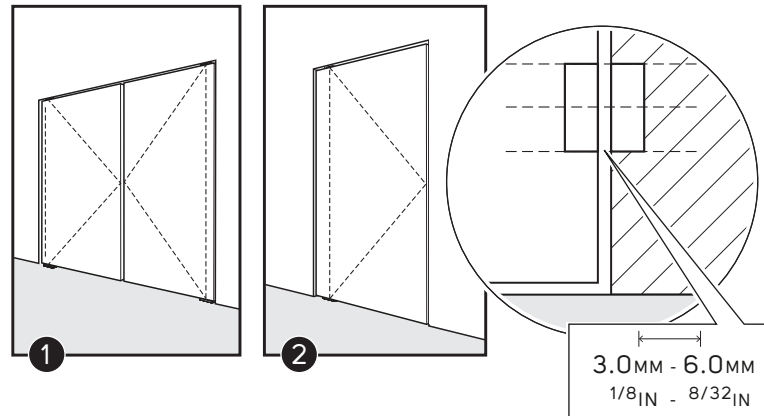
- 1 COVER PLATES 2x
-
- 2 FLUSH 2x
-
- 3 SCREW (Ø3.5x40mm) 4x
-
- 4 TORX BIT TX15 1x



 **DANGER**
STRONG MAGNET
CAN BE HARMFUL TO PACEMAKERS
AND OTHER MEDICAL IMPLANTS OR
SENSITIVE DEVICES

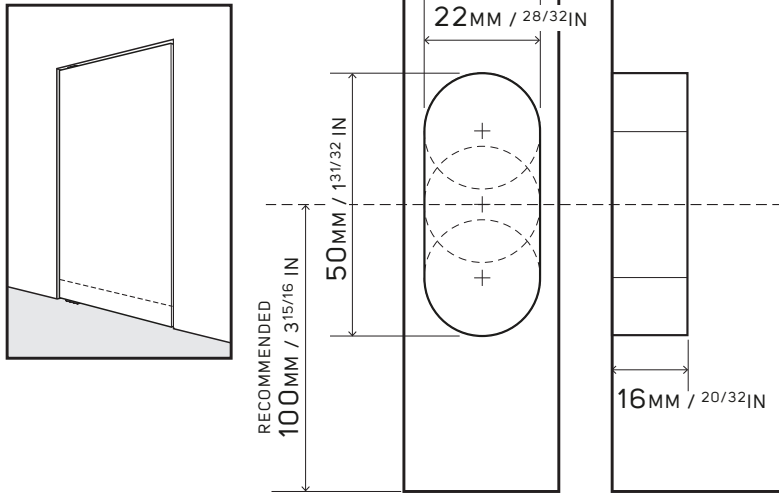


 **PRECISELY ALLIGN MAGNETS**

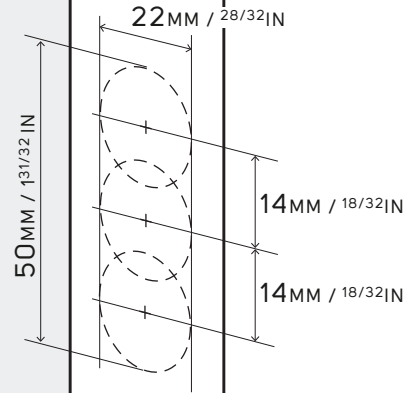


FRITSJURGENS INTERNATIONAL
+31 598 343 410 (NLD)
INFO@FRITSJURGENS.COM
WWW.FRITSJURGENS.COM

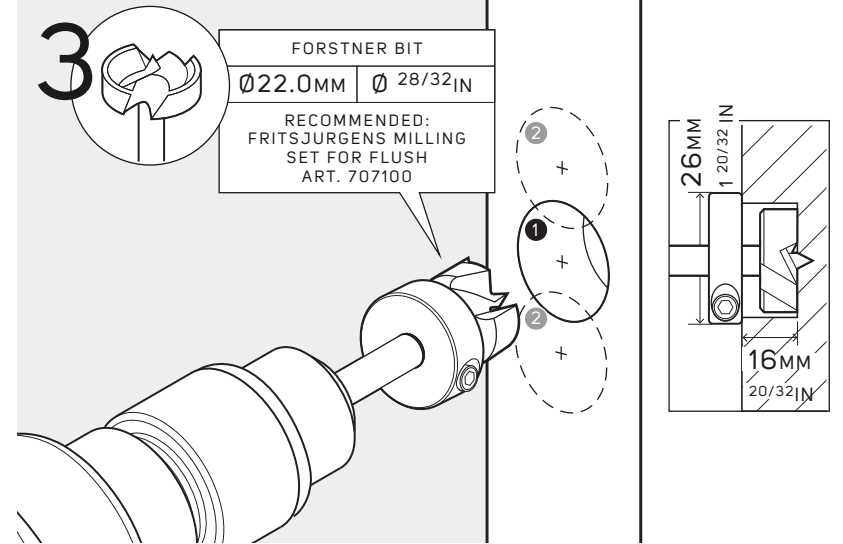
1



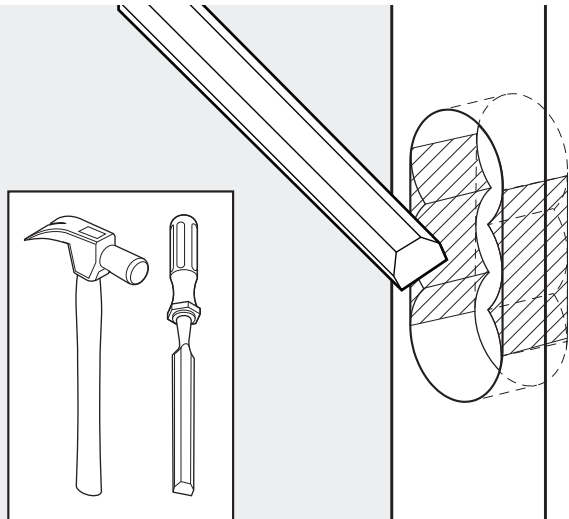
2



3



4



5

