

FritsJurgens®

HEXAGON GUIDE

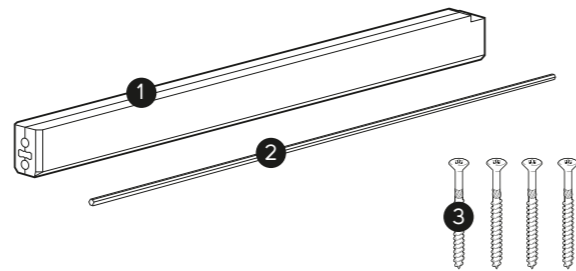
ART.706000
ART.706200

FRITSJURGENS
+31 598 343 410
INFO@FRITSJURGENS.COM
WWW.FRITSJURGENS.COM



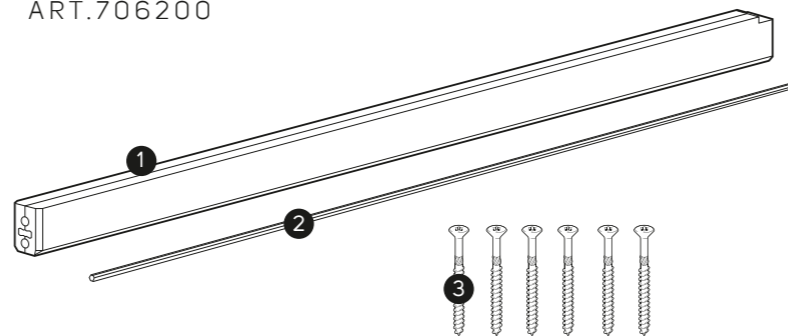
ALL RIGHTS RESERVED FRITSJURGENS

ART.706000



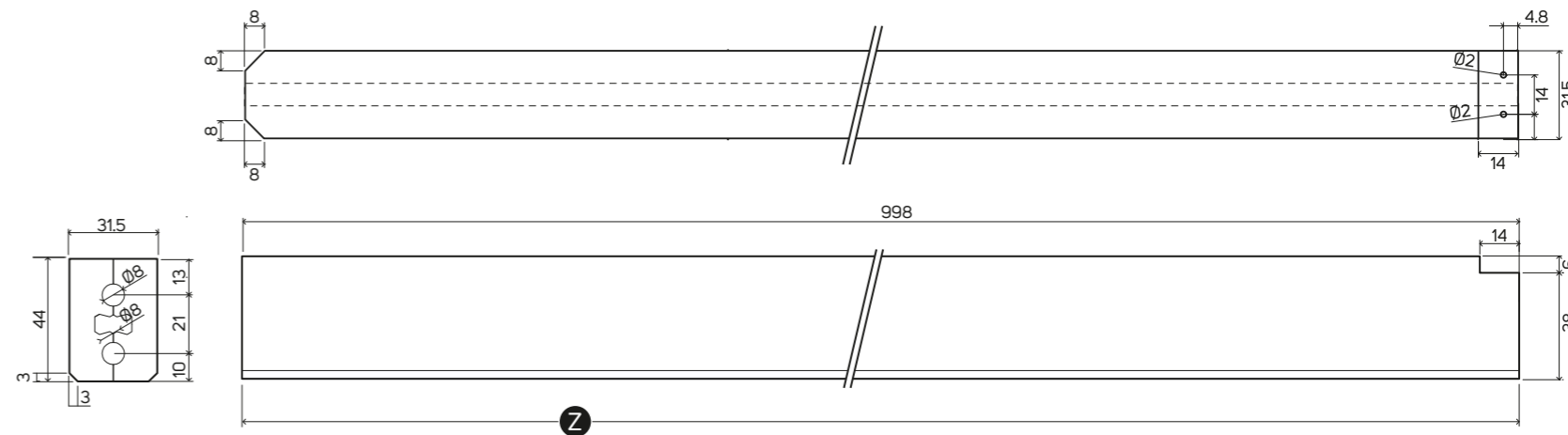
- 1 GUIDE 1 METER 1x
-
- 2 HEXAGON 1.1 METER 1x
-
- 3 SCREW (Ø4X70/42) 4x

ART.706200

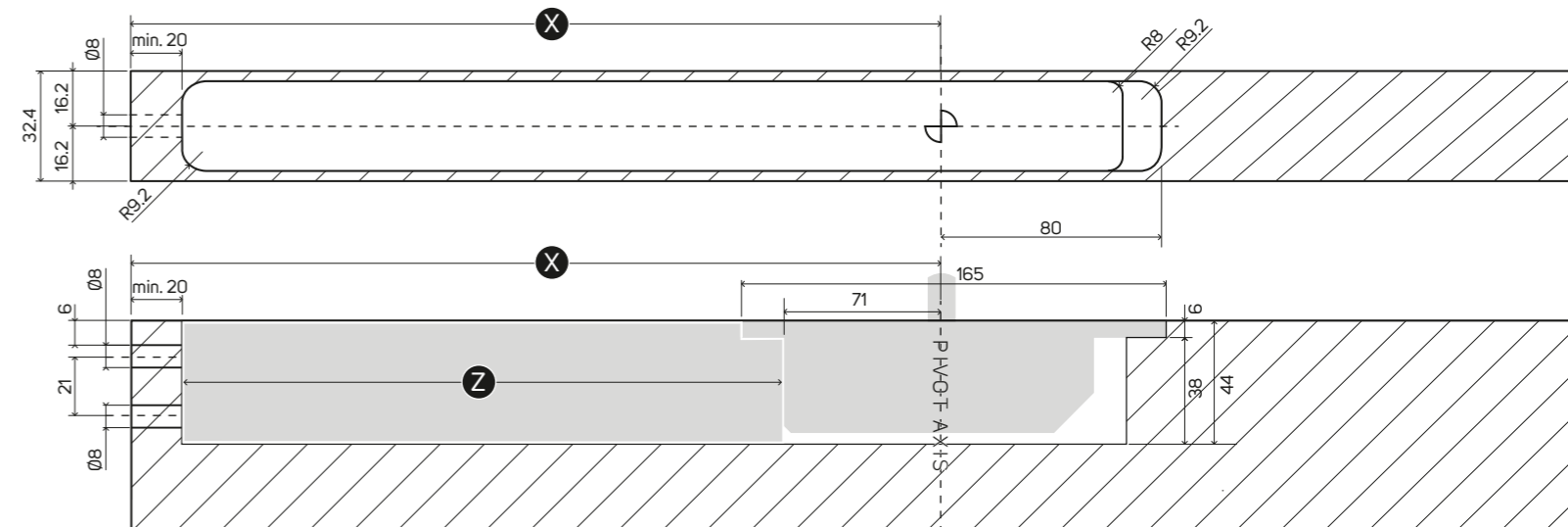


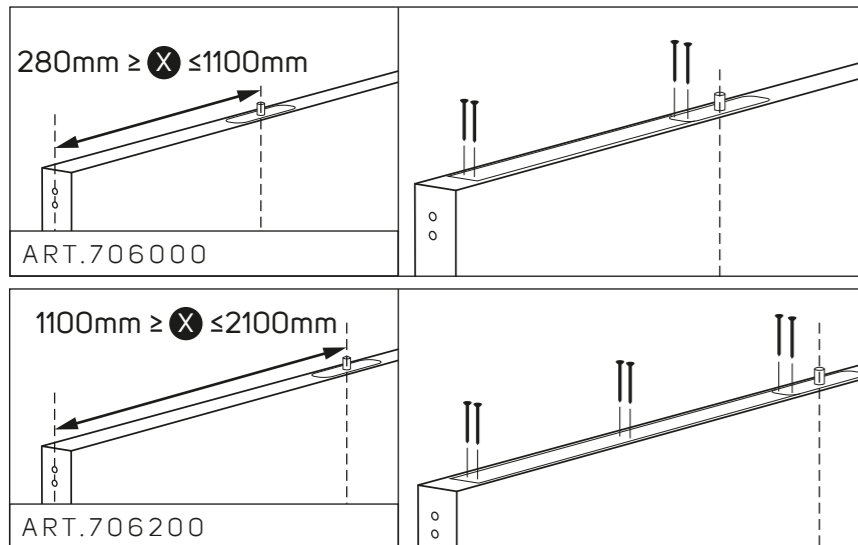
- 1 GUIDE 2 METER 1x
-
- 2 HEXAGON 2.1 METER 1x
-
- 3 SCREW (Ø4X70/42) 6x

TECHNICAL DRAWINGS (in mm)

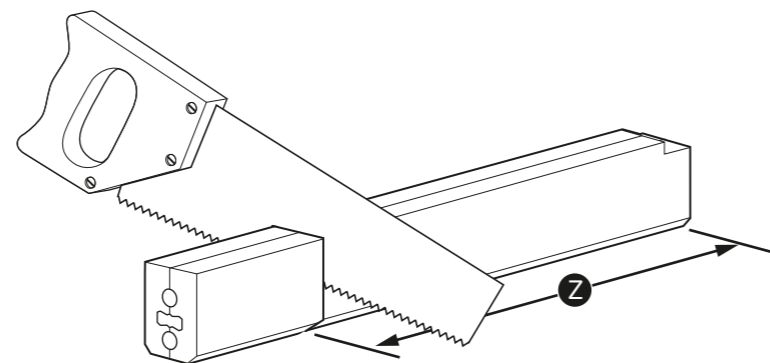


MILLING DRAWINGS (in mm)

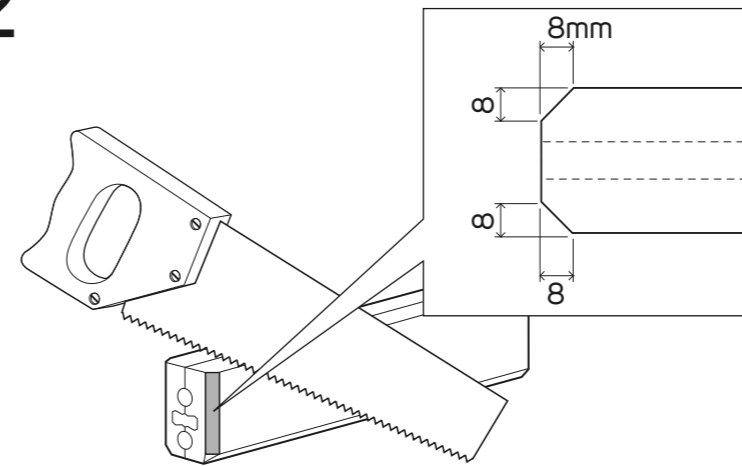




1 SAWING HEXAGON GUIDE TO SPECIFICATION

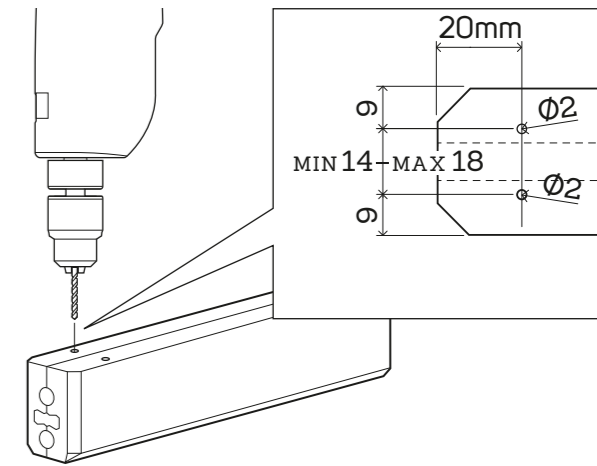


2

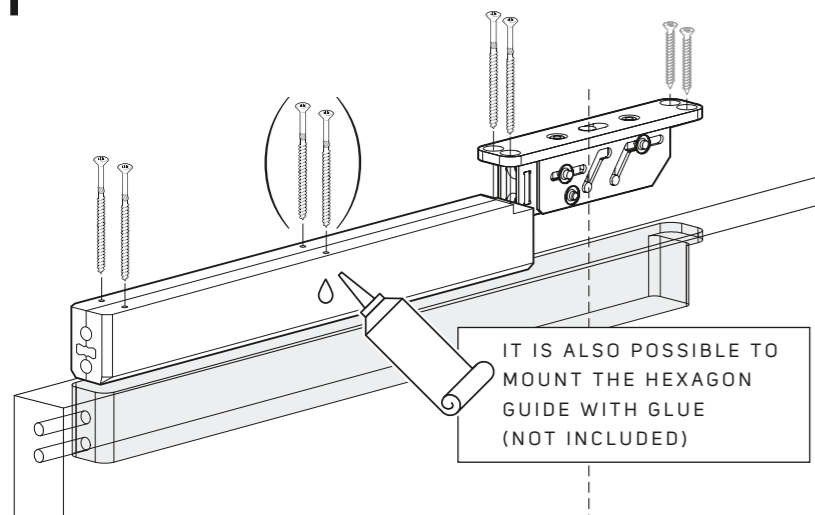


3

DRILLING PILOT HOLES



4 MOUNTING THE HEXAGON GUIDE



5 MOUNTING THE HEXAGON GUIDE

